

**United States Patent** [19]  
**Bain**

[11] **Patent Number: Des. 301,150**

[45] **Date of Patent: \*\* May 16, 1989**

[54] **MAIL HANDLING MACHINE**

[75] **Inventor: Charles E. Bain, West Dundee, Ill.**

[73] **Assignee: Bell & Howell Company, Chicago, Ill.**

[\*\*] **Term: 14 Years**

[21] **Appl. No.: 775,845**

[22] **Filed: Sep. 13, 1985**

[52] **U.S. Cl. .... D15/147; D15/199**

[58] **Field of Search ..... 209/584, 900, 583, 534,  
209/546; D15/199, 147**

[56] **References Cited**

**U.S. PATENT DOCUMENTS**

4,337,866 7/1982 Suling et al. .... 209/900

4,589,555 5/1986 Hollingsworth ..... 209/900

4,627,540 12/1986 Takeda ..... 209/584

4,641,753 2/1987 Tamada ..... 209/546

*Primary Examiner*—B. J. Bullock  
*Attorney, Agent, or Firm*—Alan B. Samlan

[57] **CLAIM**

The ornamental design for a mail handling machine, as shown.

**DESCRIPTION**

FIG. 1 is a perspective view of a mail handling machine showing my new design,  
FIG. 2 is a front elevational view thereof;  
FIG. 3 is a top plan view thereof;  
FIG. 4 is a left elevational view thereof;  
FIG. 5 is a right elevational view thereof; and  
FIG. 6 is a rear elevational view thereof.

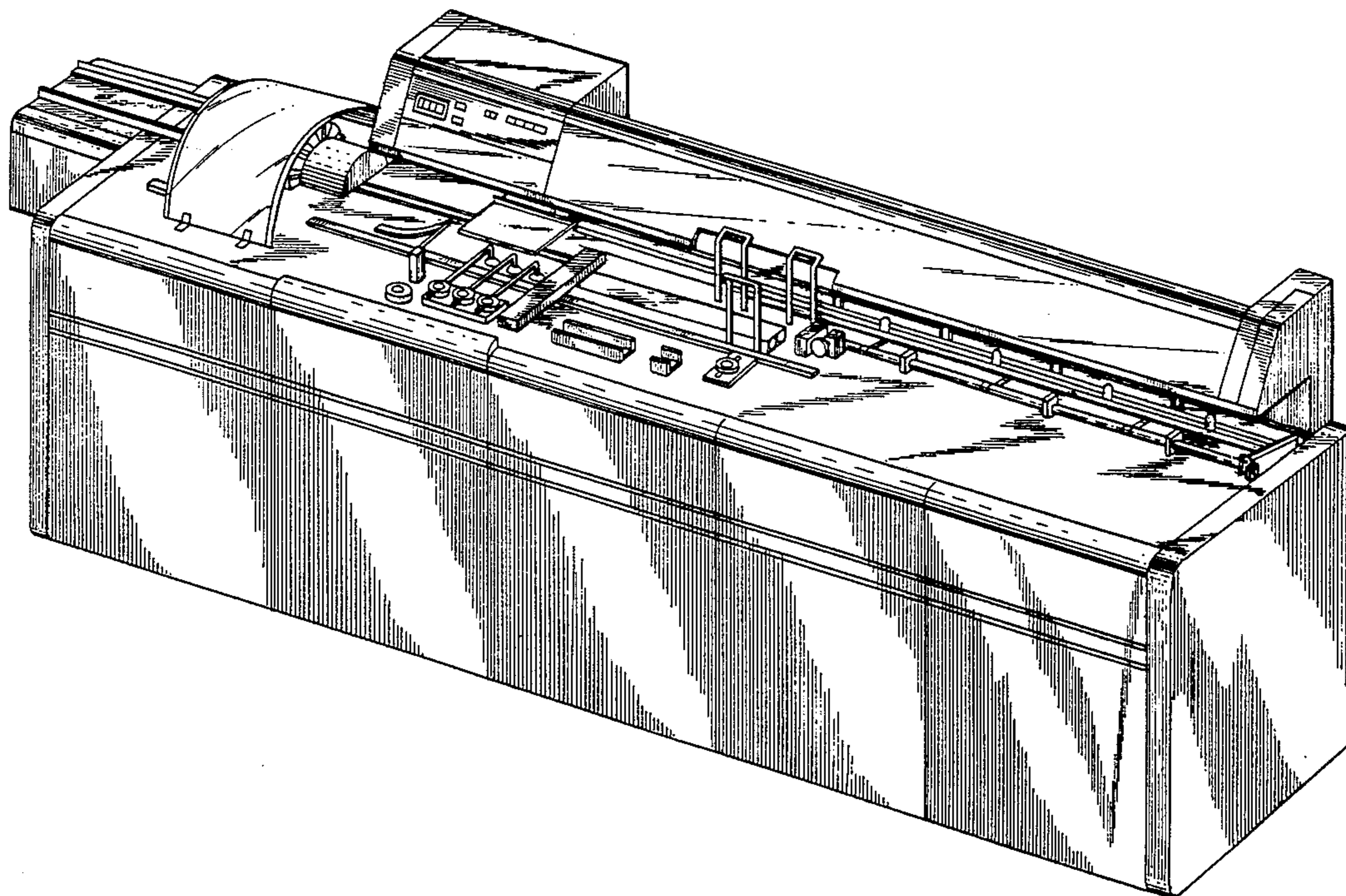


FIG. 1

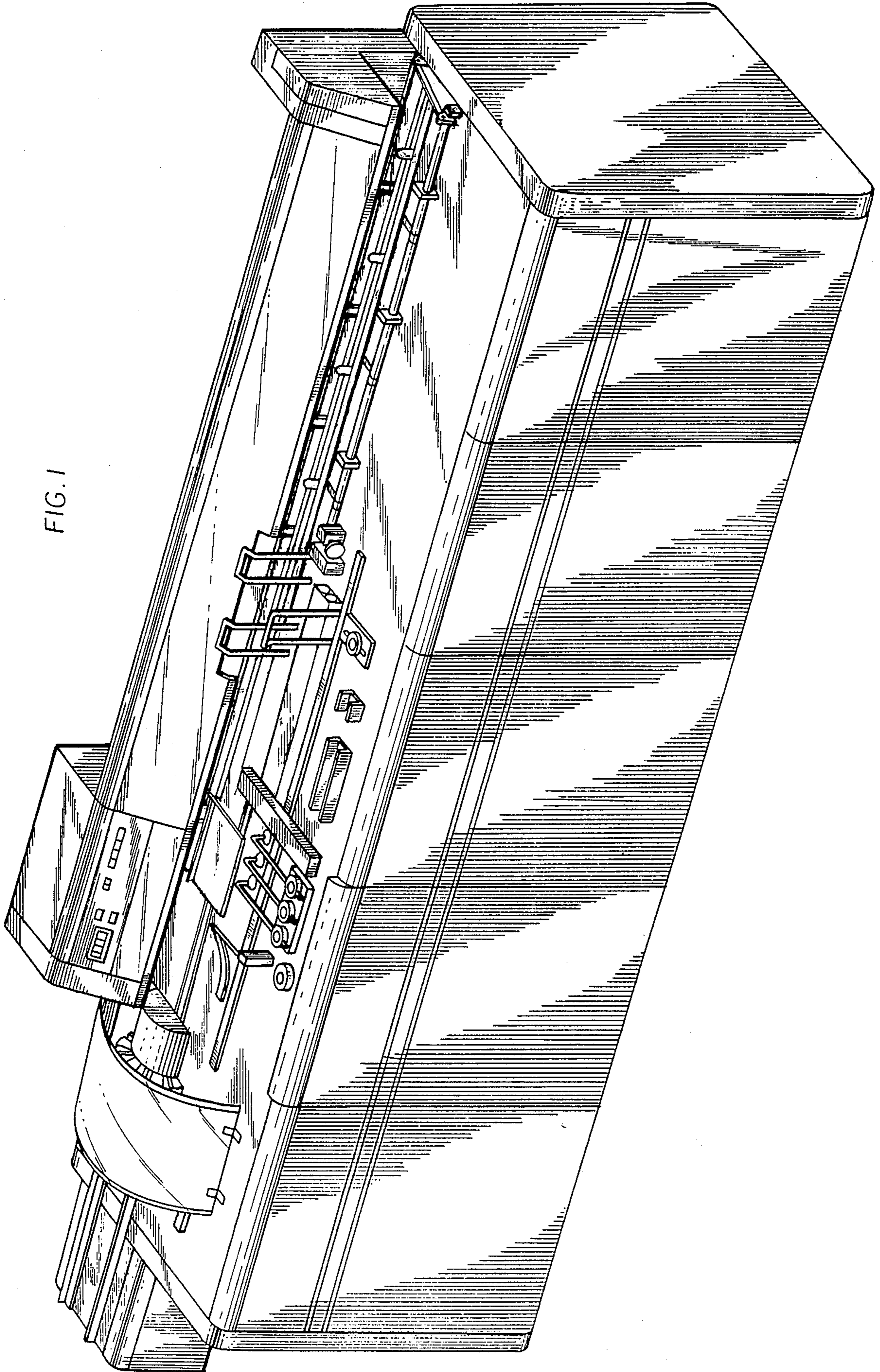


FIG. 2

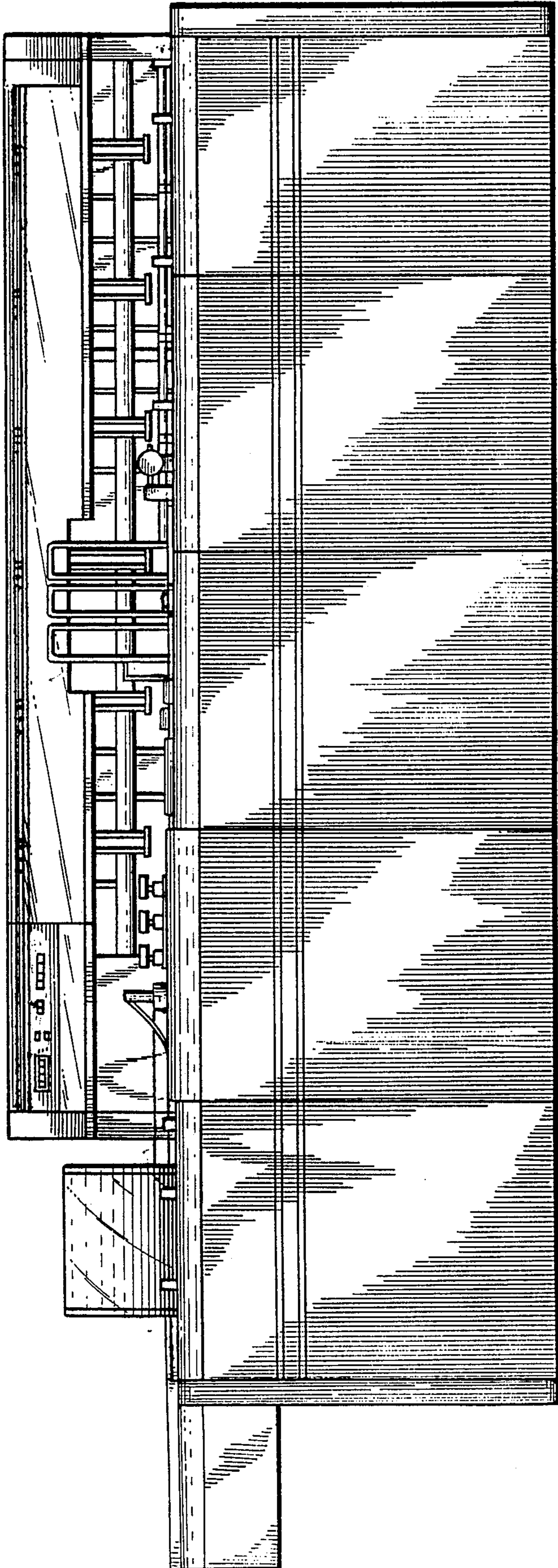


FIG. 3

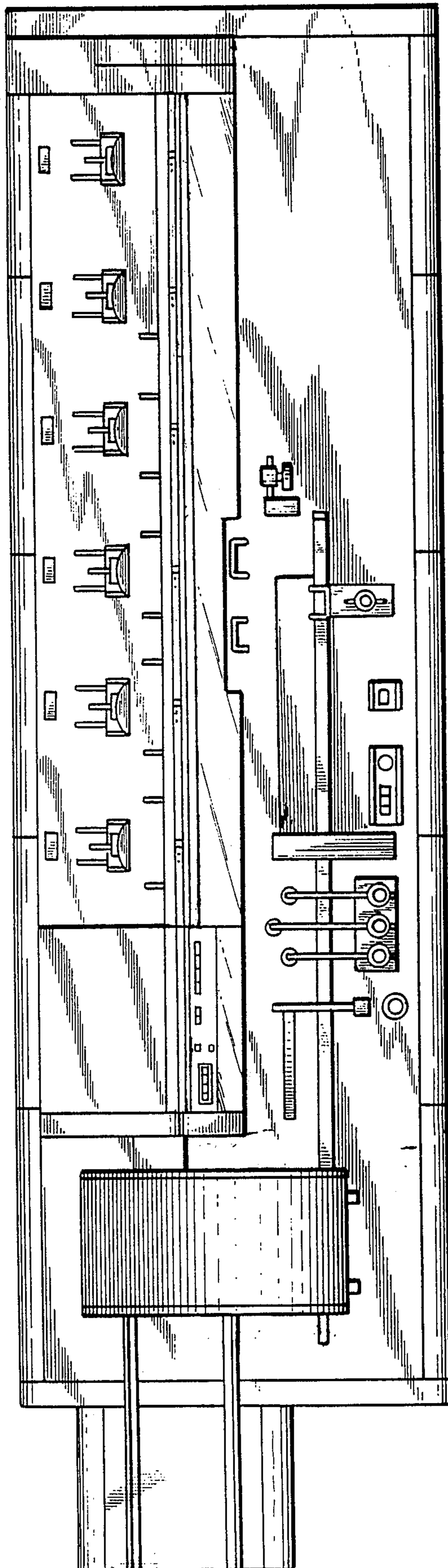


FIG. 4

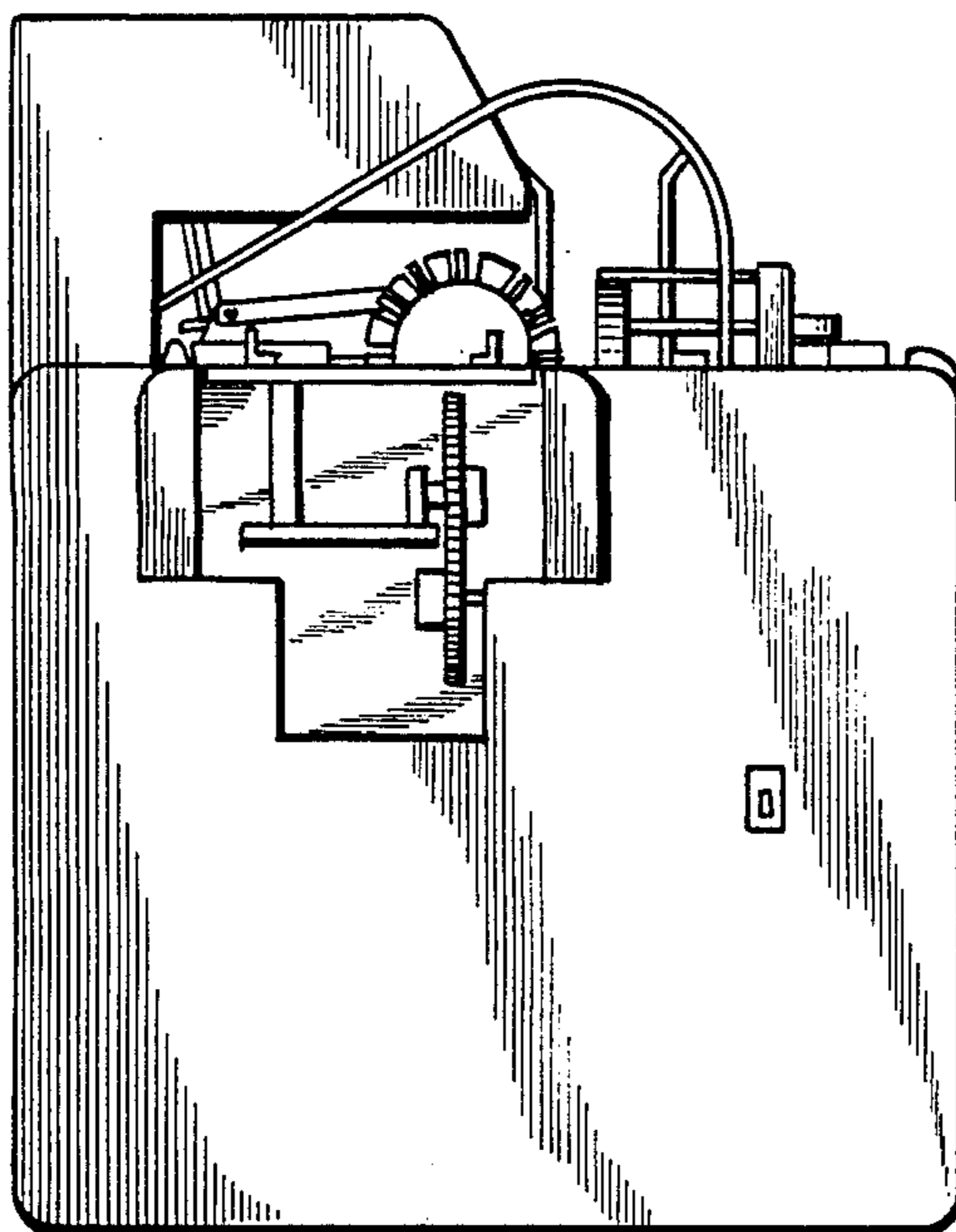


FIG. 5

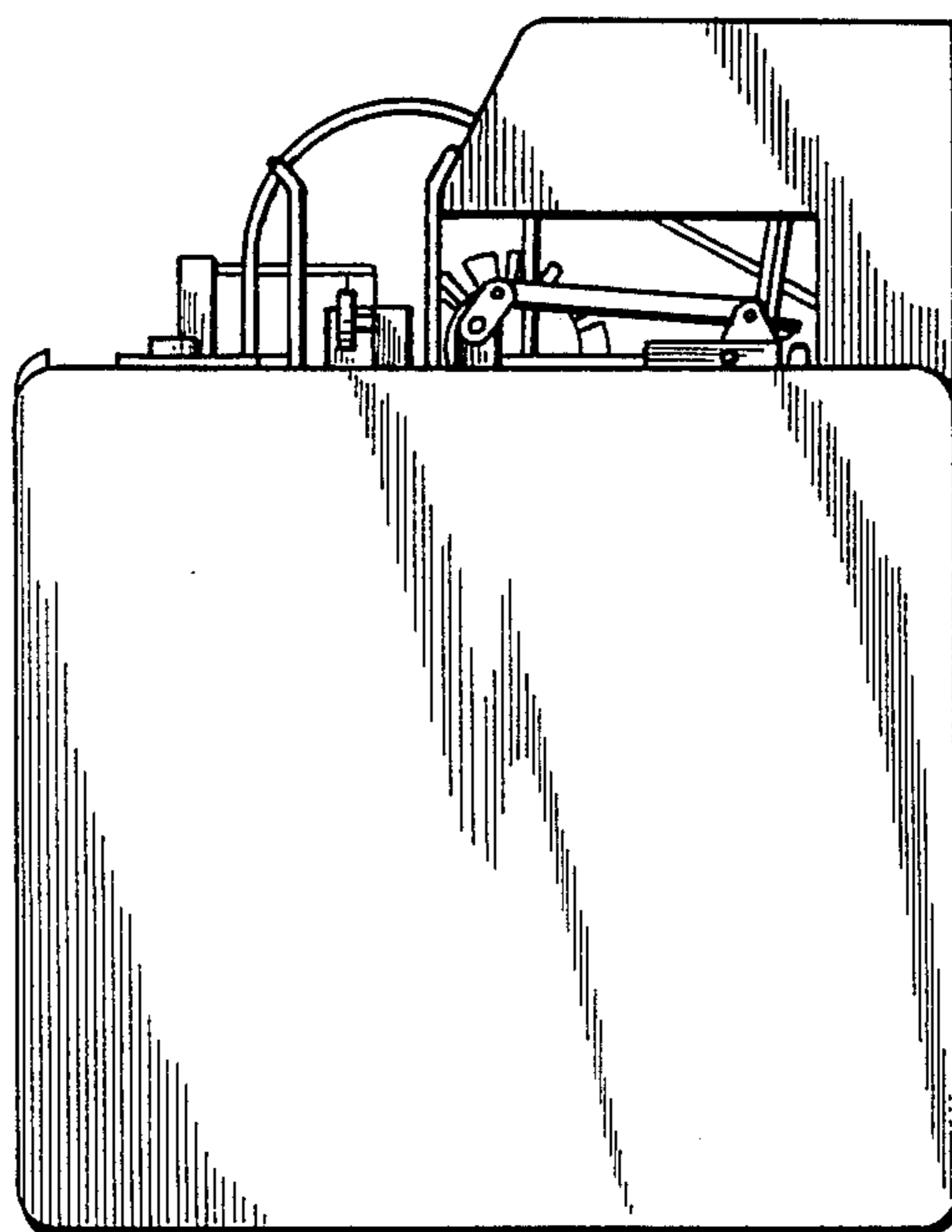


FIG. 6

