

[54] **BAND SAW GUIDE**

[76] **Inventor: William E. Thompson, R.R. 1, Box 89, Middletown, Ind. 47356**

[**] **Term: 14 Years**

[21] **Appl. No.: 917,836**

[22] **Filed: Oct. 10, 1986**

Related U.S. Application Data

[63] **Continuation-in-part of Ser. No. 613,430, Apr. 24, 1984, Pat. No. Des. 287,975.**

[52] **U.S. Cl. D15/134**

[58] **Field of Search D15/139, 140, 134, 138; 83/814, 820, 821**

[56] **References Cited**

U.S. PATENT DOCUMENTS

D. 287,975 1/1987 Thompson D15/134
3,452,734 7/1969 Cleland et al. 83/814
4,574,675 3/1986 Hallström 83/820

Primary Examiner—B. J. Bullock
Assistant Examiner—Dominic Simone
Attorney, Agent, or Firm—Woodard, Emhardt, Naughton, Moriarty & McNett

[57] **CLAIM**

The ornamental design for a band saw guide, as shown and described.

DESCRIPTION

FIG. 1 is a top plan view of a band saw guide showing my new design;

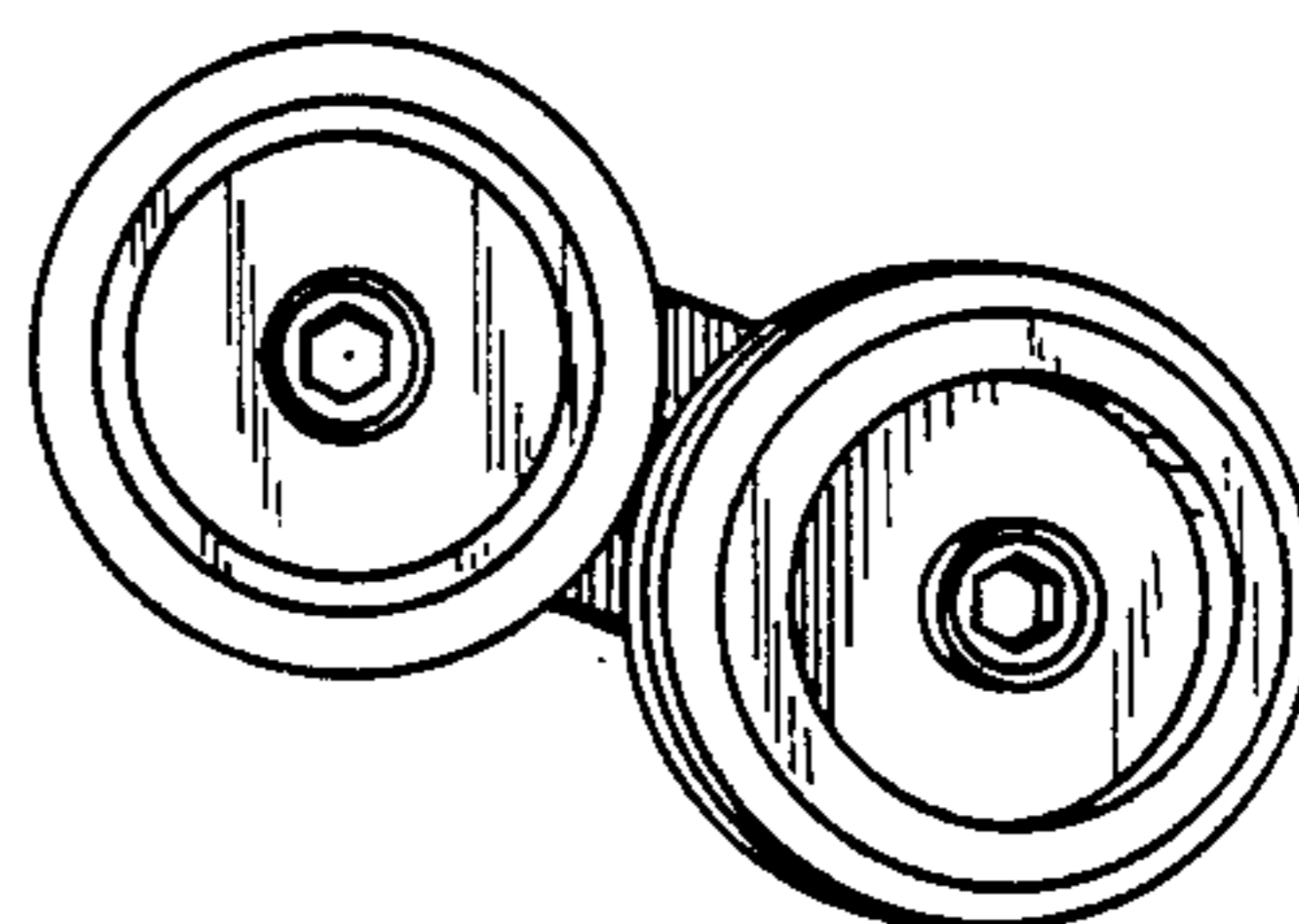
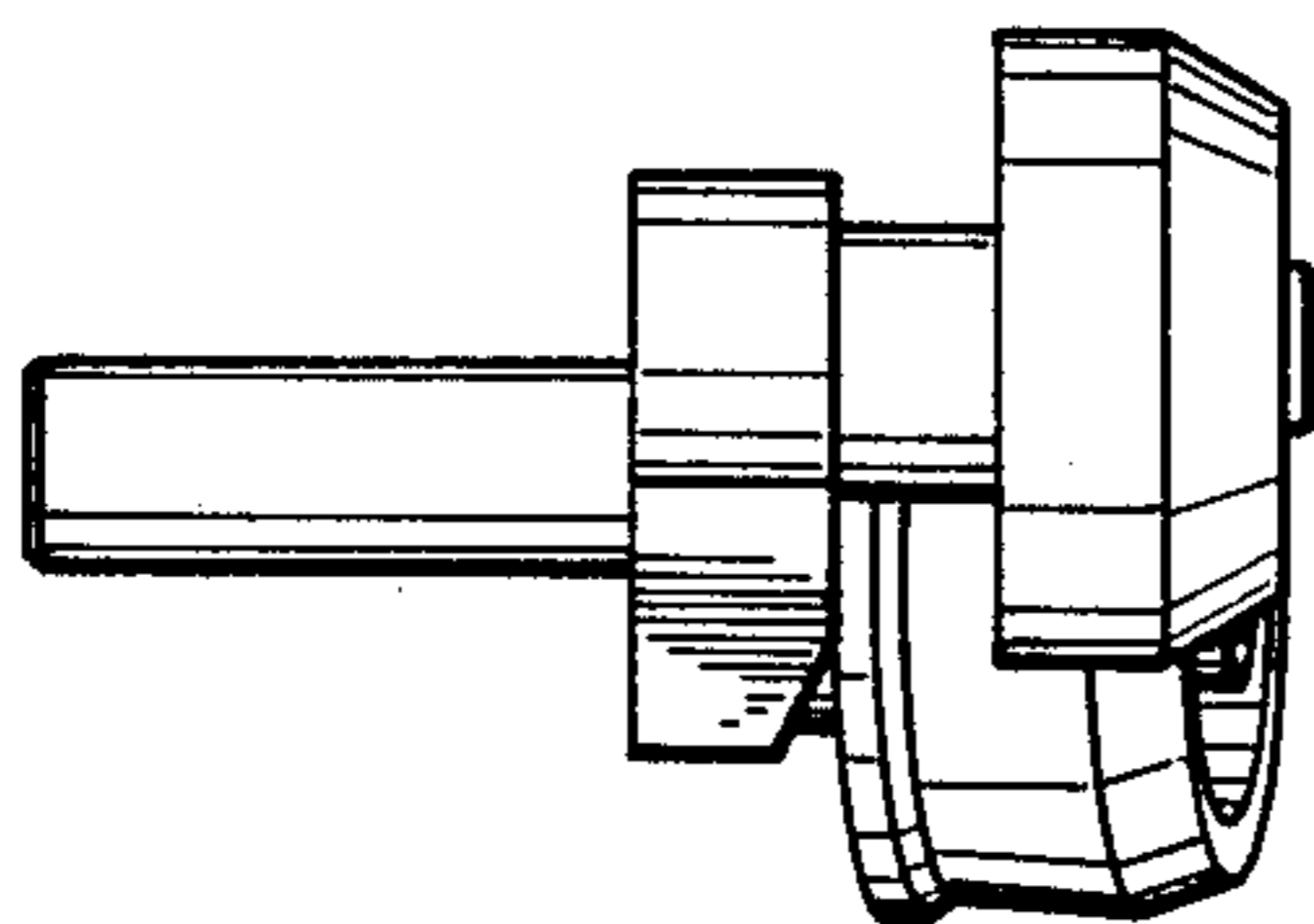
FIG. 2 is a front elevational view thereof;

FIG. 3 is a right side elevational view thereof;

FIG. 4 is a left side elevational view thereof;

FIG. 5 is a bottom plan view thereof; and

FIG. 6 is a rear elevational view thereof.



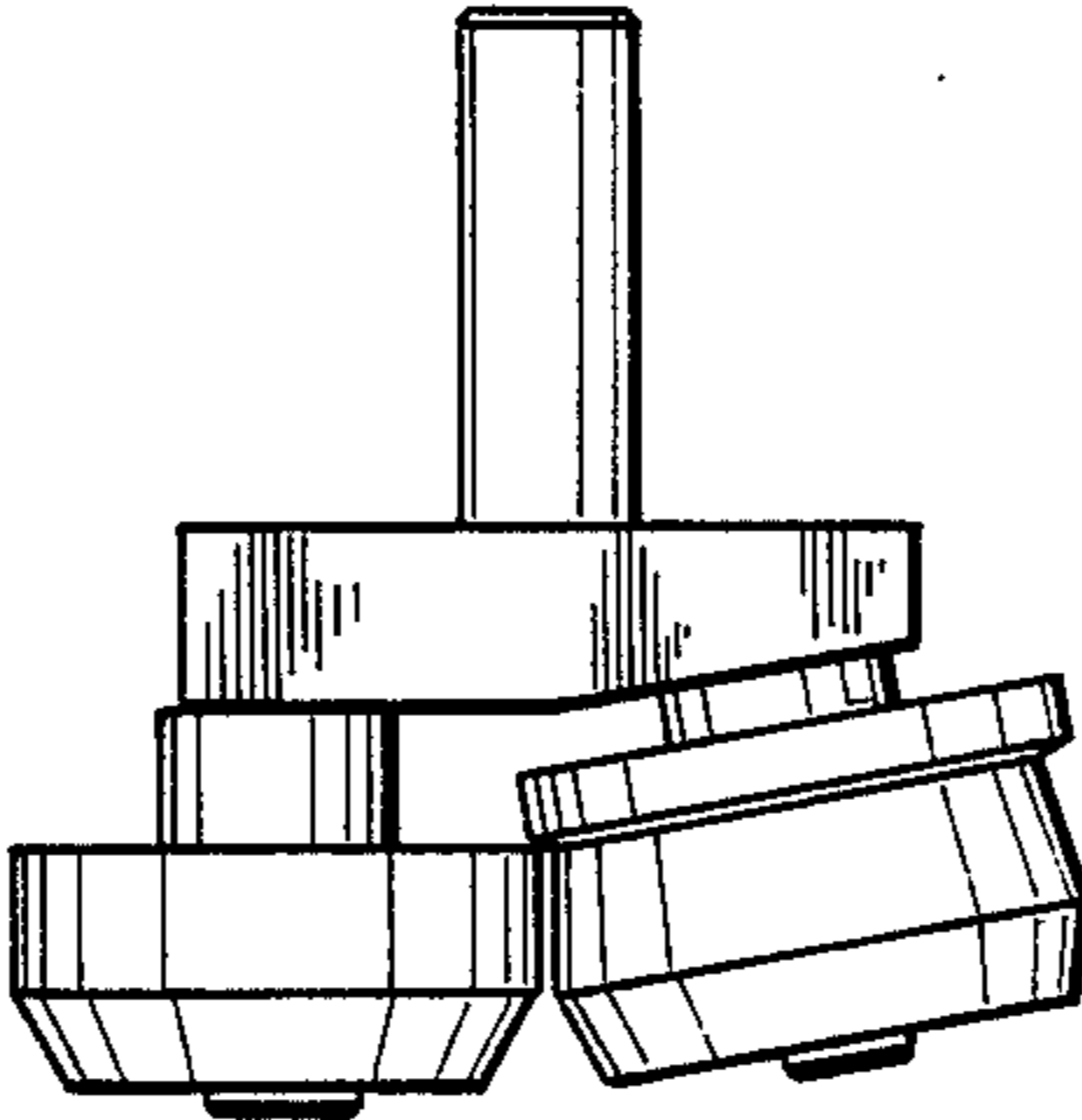


Fig.1

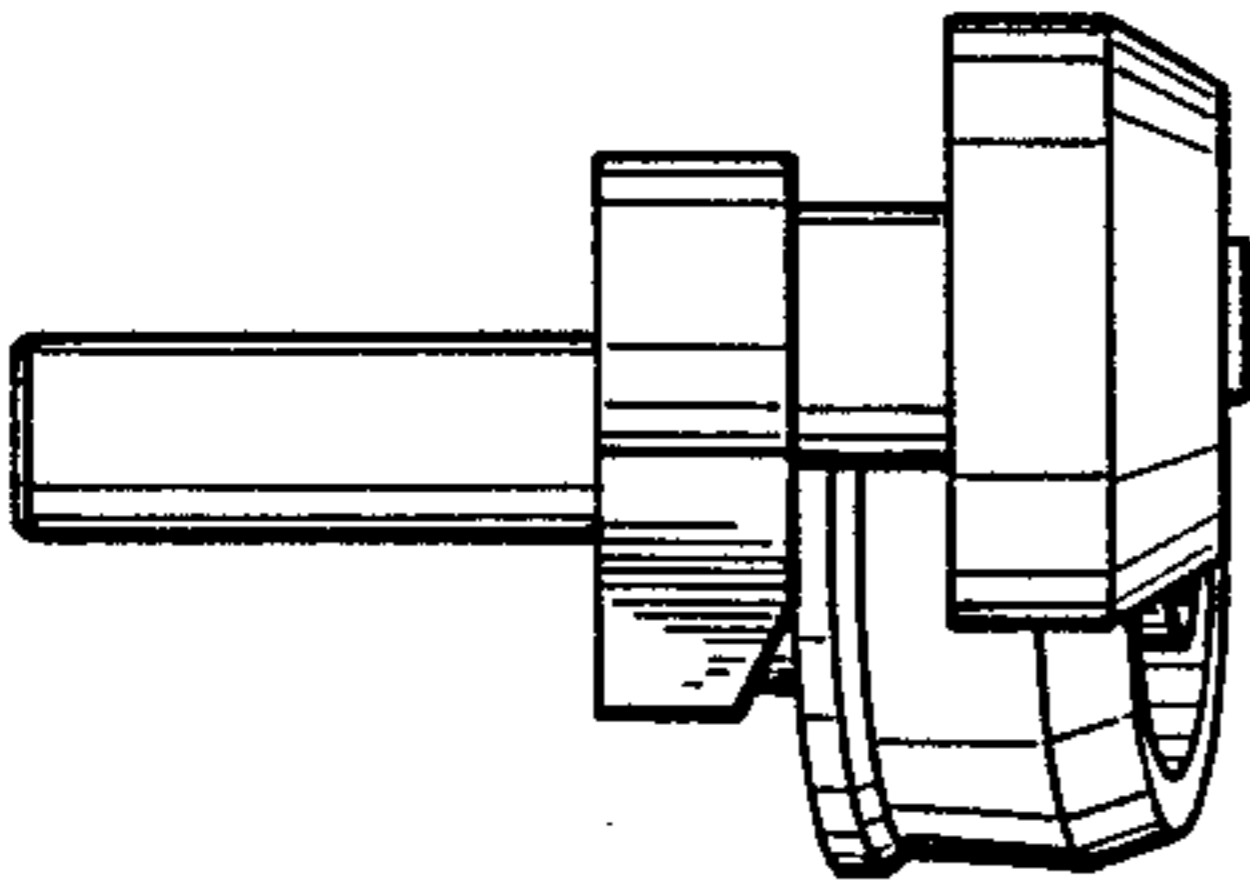


Fig.2

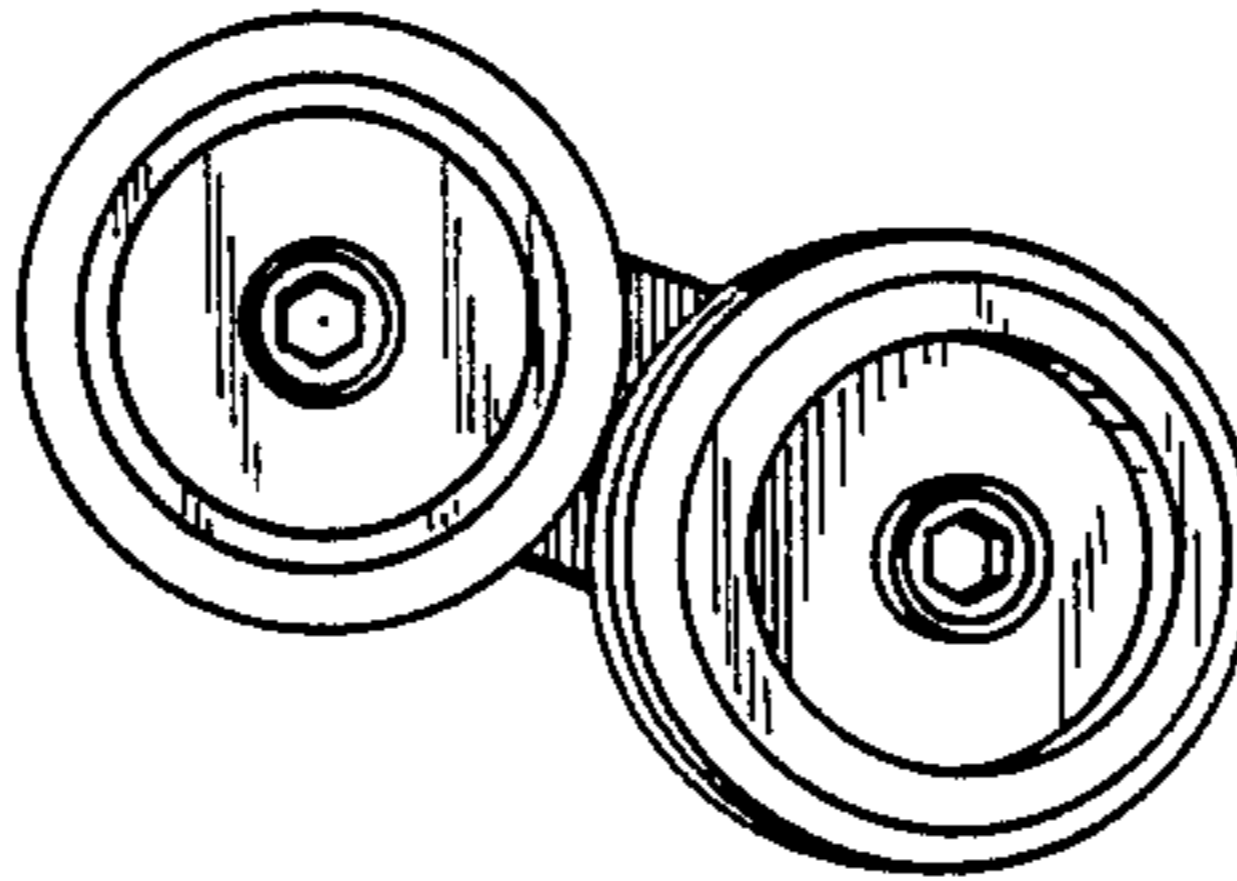


Fig.3

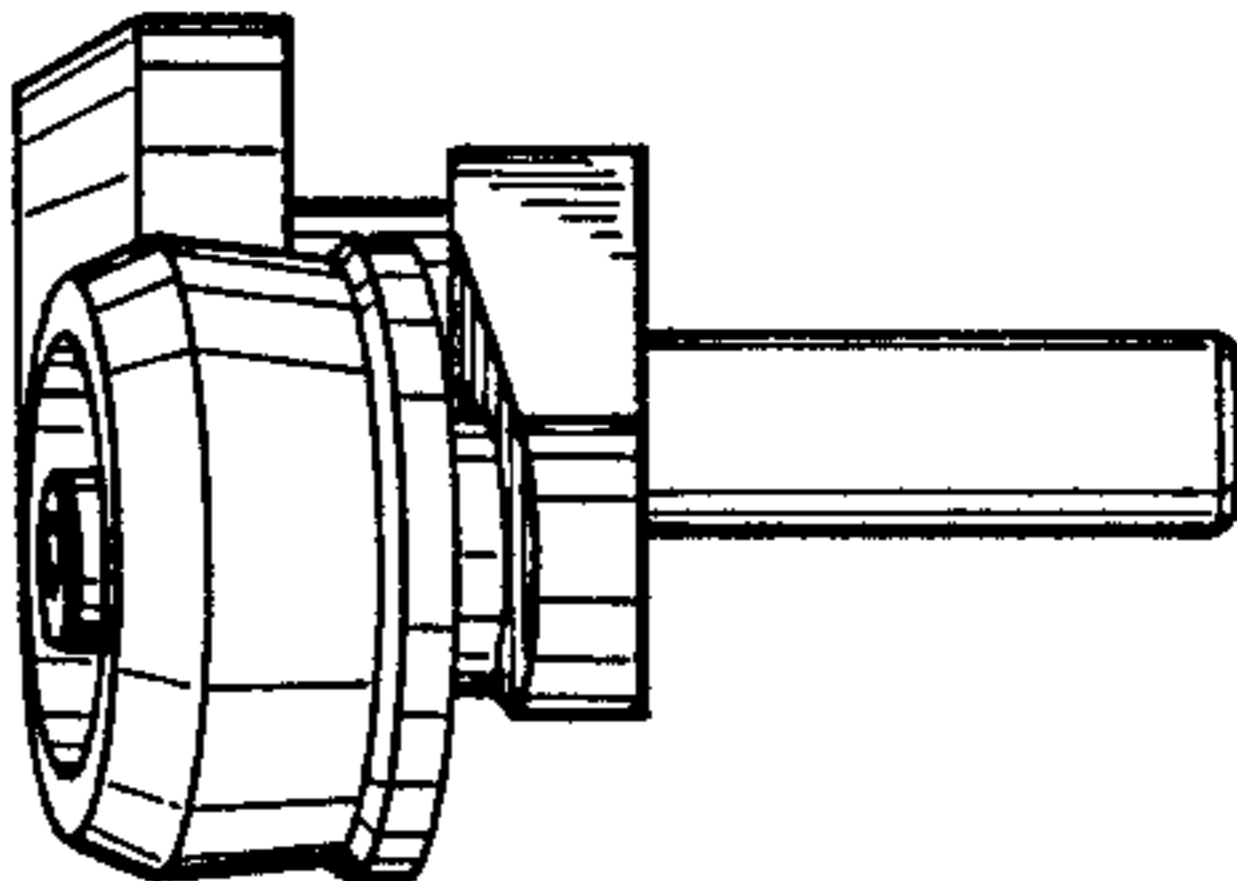


Fig.4

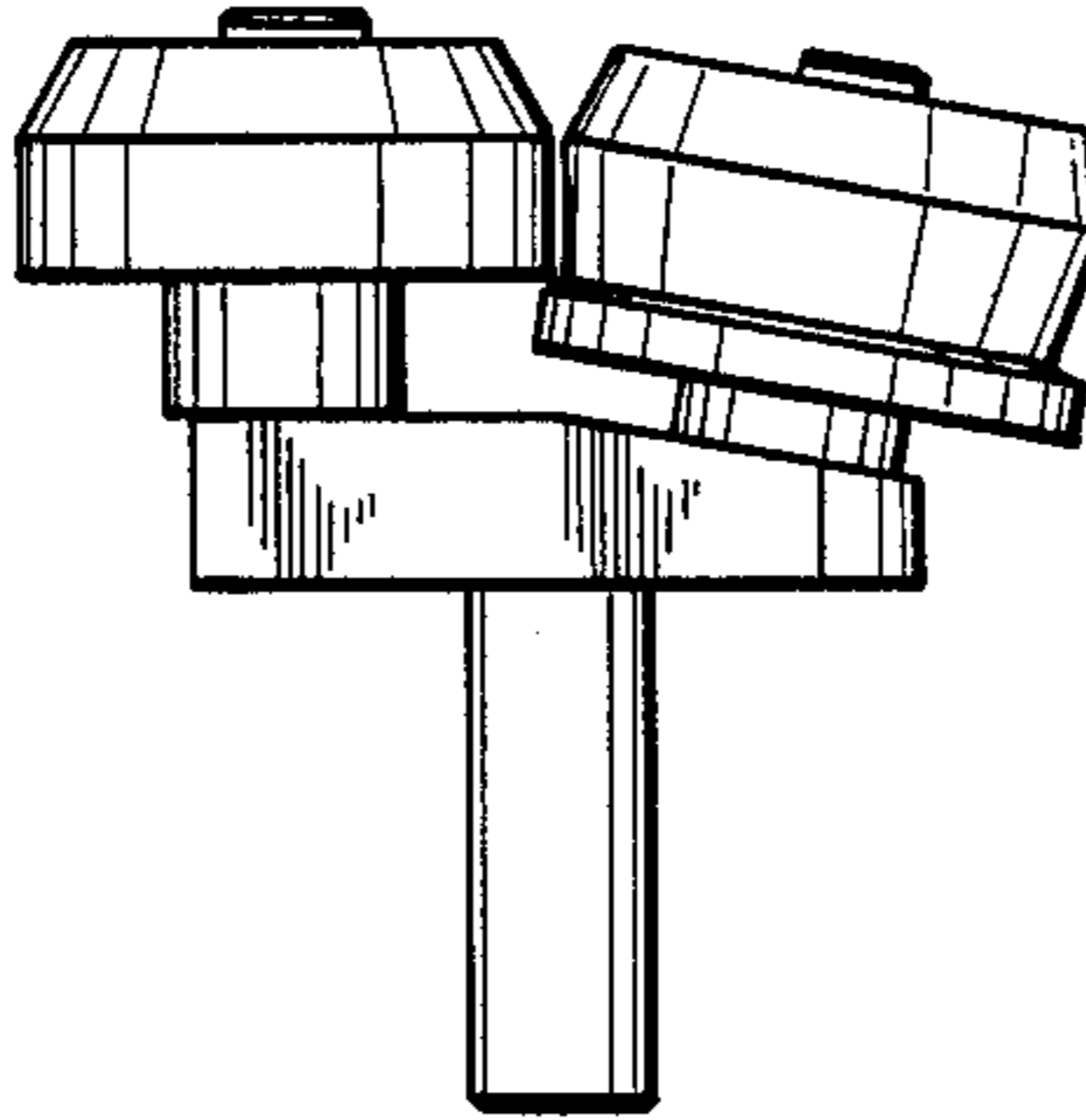


Fig.5

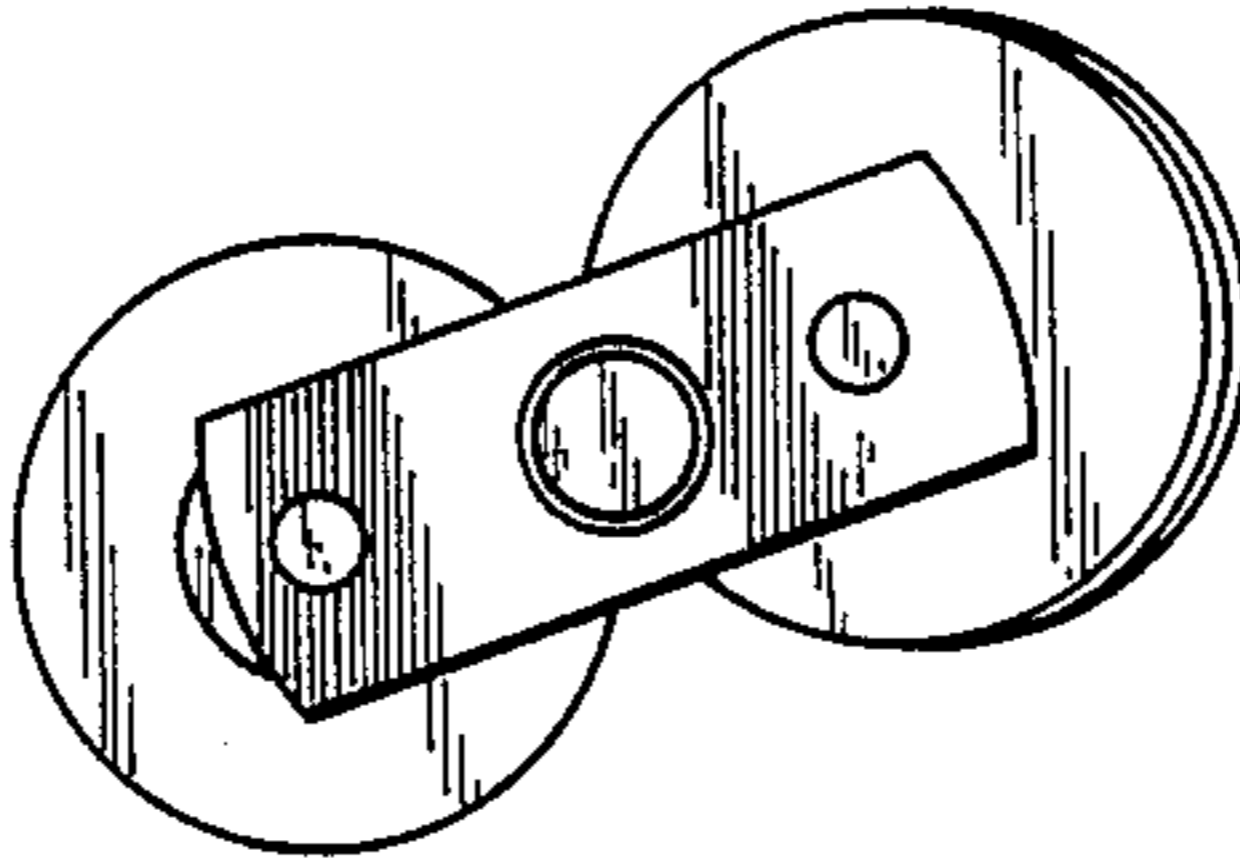


Fig.6