

[54] TELEPHONE HANDSET

[75] Inventors: William V. Jackwicz, Spring Lake Heights; Sompopol Jampathom, Oakhurst; Richard M. Joffe, Teaneck; Charles F. Liebler, Holmdel, all of N.J.

[73] Assignees: American Telephone and Telegraph Company, Inc., New York, N.Y.; AT&T Information Systems, Morristown, N.J.

[**] Term: 14 Years

[21] Appl. No.: 251,476

[22] Filed: Sep. 30, 1988

[52] U.S. Cl. D14/248

[58] Field of Search D14/53, 60, 63, 64; 379/433, 454, 455, 435, 419, 440, 428, 434, 436

[56] References Cited

U.S. PATENT DOCUMENTS

- D. 189,877 3/1911 Mosing D14/53
- D. 215,664 10/1969 Dreyfuss et al. D14/53
- D. 263,046 2/1982 Genaro et al. D14/53
- D. 263,049 2/1982 Cobb D14/53 X
- 270,635 9/1983 Bloem D14/64
- D. 275,004 8/1984 Genaro et al. D14/53 X
- D. 275,006 8/1984 Danielson et al. D14/53 X
- D. 279,005 5/1985 Genaro et al. D14/63
- D. 280,895 10/1985 Kao D14/53

- D. 282,467 2/1986 Felix et al. D14/53 X
- 283,127 3/1986 Hai-Ping D14/53
- 283,420 4/1986 Reichenstein D14/53
- D. 284,491 7/1986 Felix et al. D14/53 X
- D. 287,586 1/1987 Tanaka et al. D14/60 X
- D. 293,237 12/1987 Brown D14/53
- D. 294,500 3/1988 Drakulovic 379/433 X
- D. 297,009 8/1988 Grambush et al. D14/60 X
- T955,001 2/1977 Genaro et al. D14/64
- 3,557,322 1/1971 Walden 379/455 X
- 3,627,930 12/1971 Tolman 379/433 X
- 3,889,071 6/1975 Davis et al. 379/455
- 4,320,262 3/1982 Read 379/455 X
- 4,368,359 1/1983 Genaro et al. 379/454
- 4,395,591 7/1983 Kaczkus 379/435
- 4,636,591 1/1987 Kuhfus et al. 379/433 X

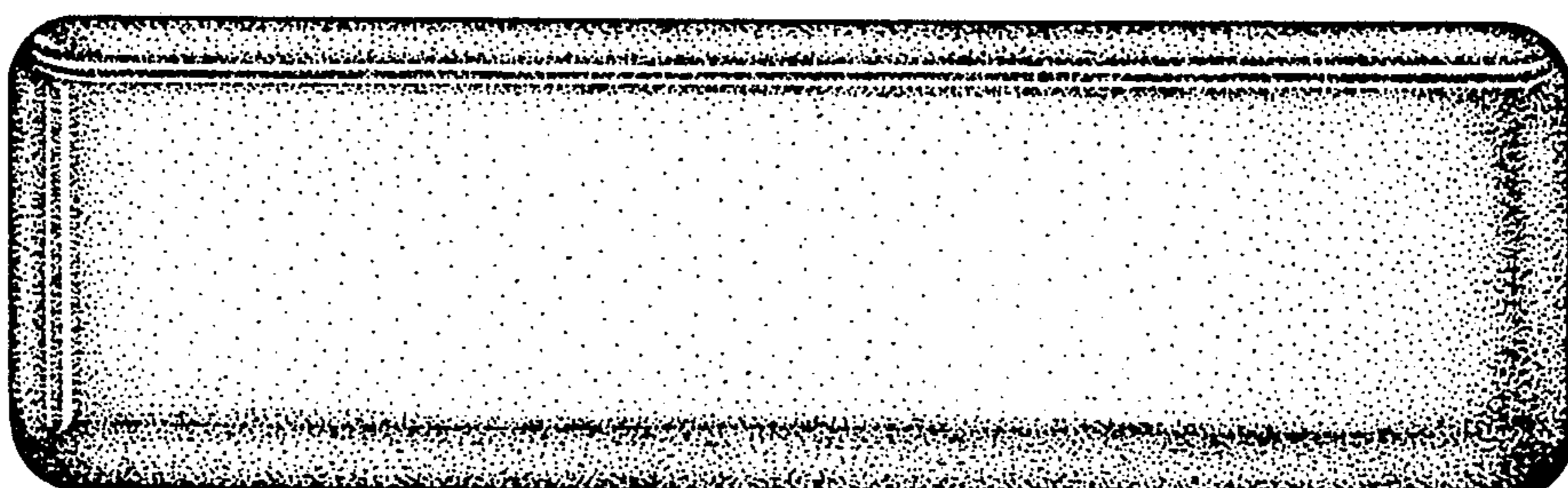
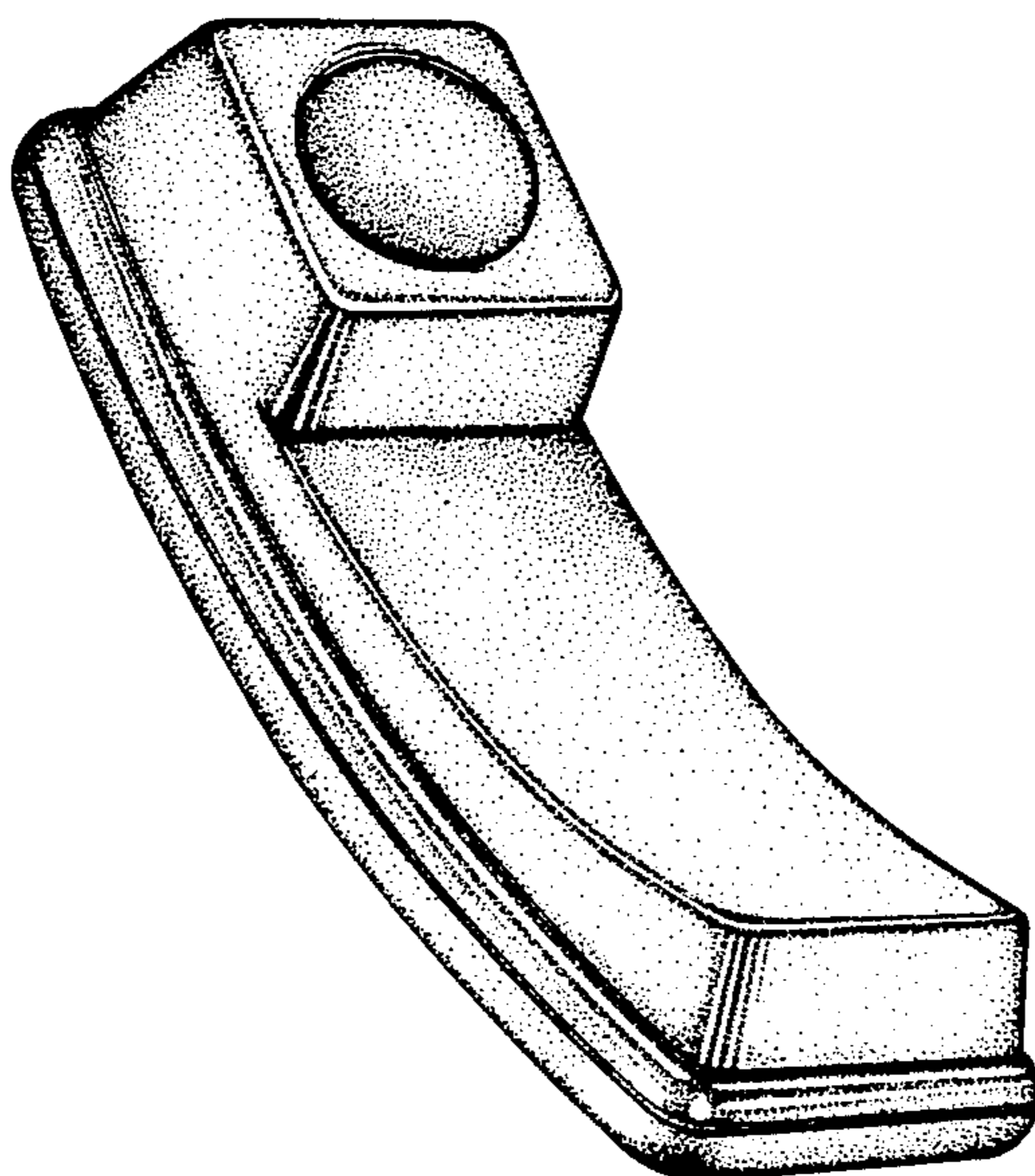
Primary Examiner—Horace B. Fay, Jr.
Attorney, Agent, or Firm—Samuel R. Williamson

[57] CLAIM

The ornamental design for housing for a telephone handset or similar article, as shown and described.

DESCRIPTION

FIG. 1 is a top, front and side perspective view of a housing for a telephone handset or similar article showing our new design;
FIG. 2 is a side elevation view, the opposite side being essentially a mirror image of the side shown;
FIG. 3 is a top plan view thereof;
FIG. 4 is a bottom plan view thereof,
FIG. 5 is a front elevation view thereof; and
FIG. 6 is a rear elevation view thereof.



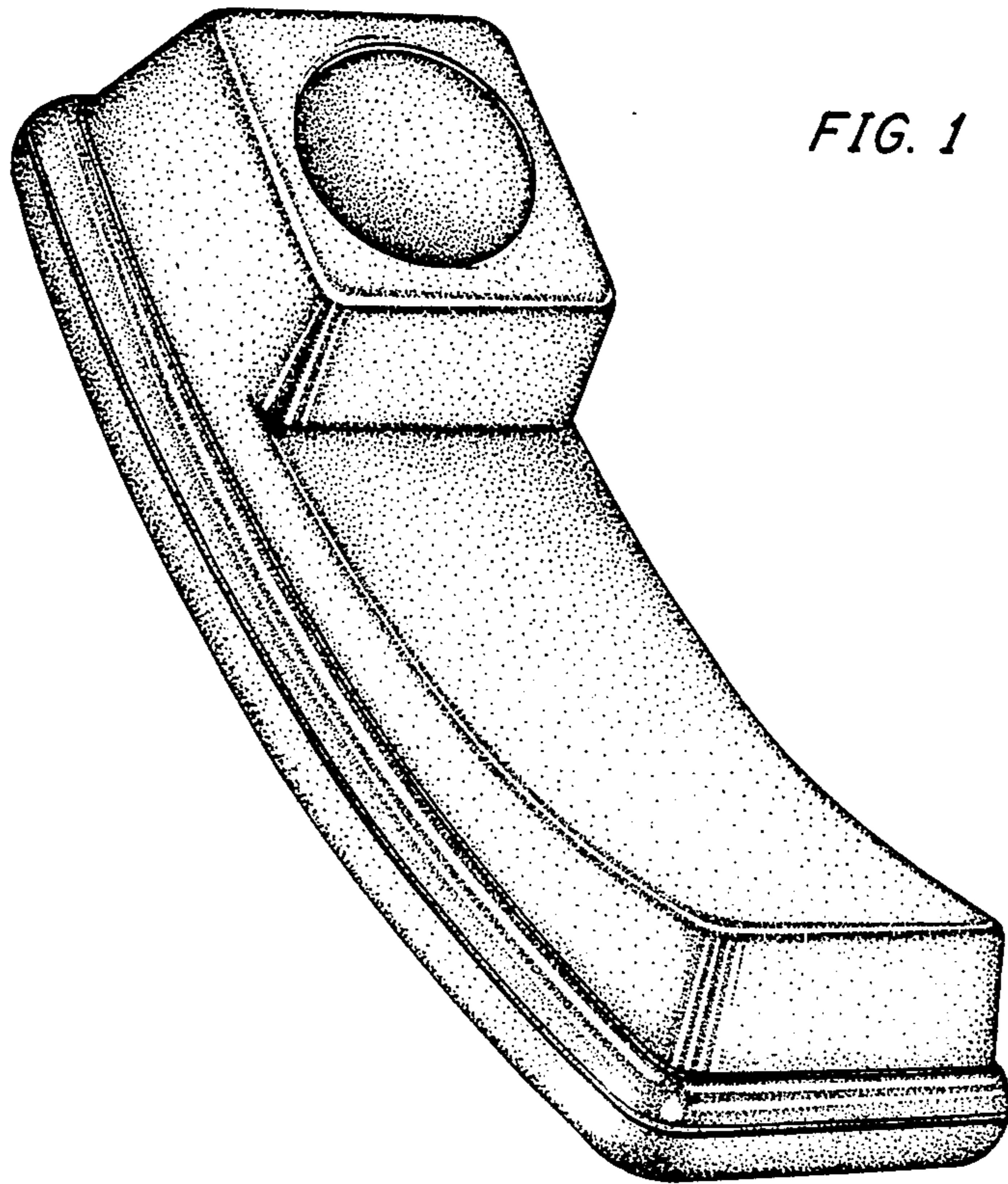


FIG. 1

FIG. 2



FIG. 3

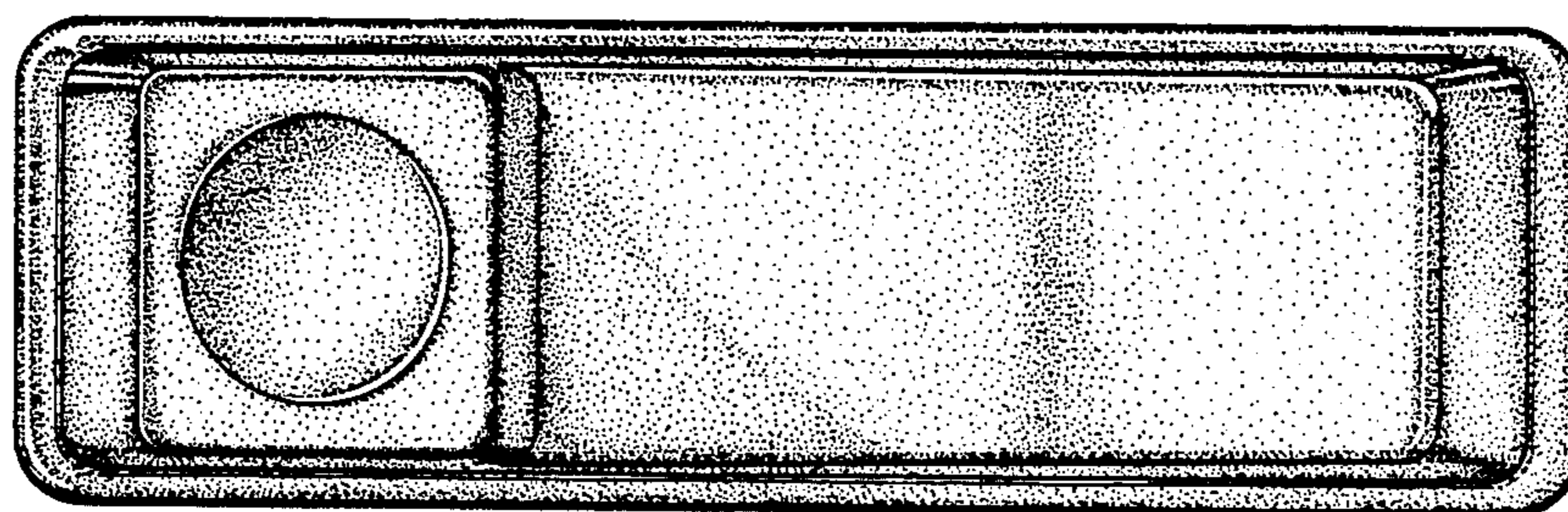


FIG. 4

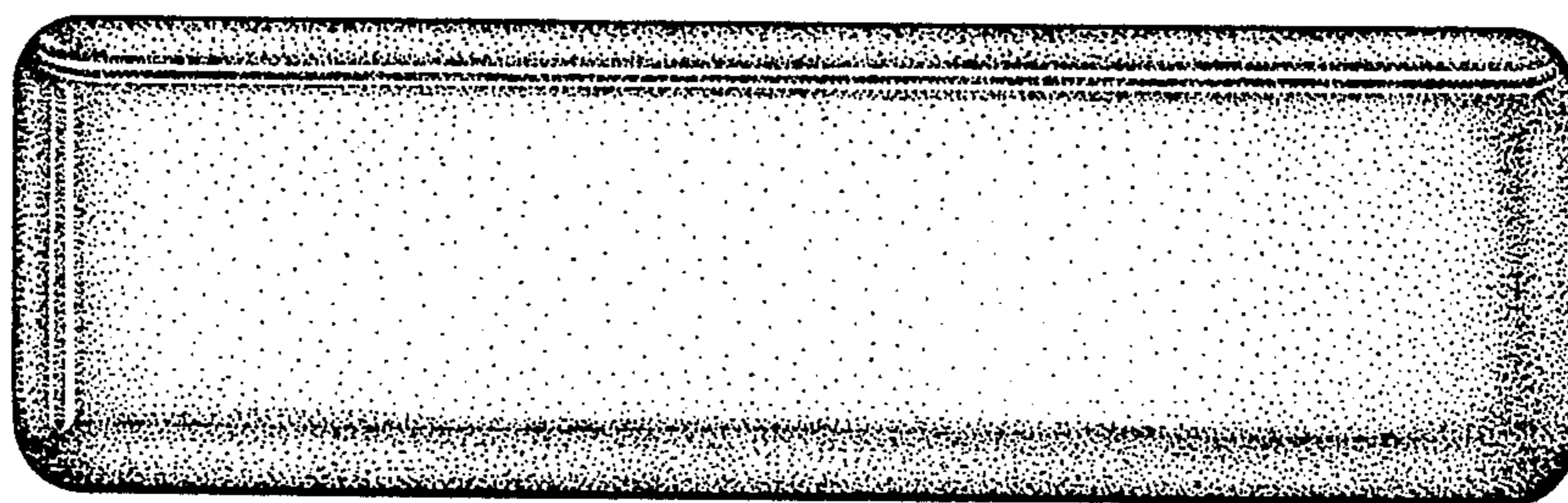


FIG. 5

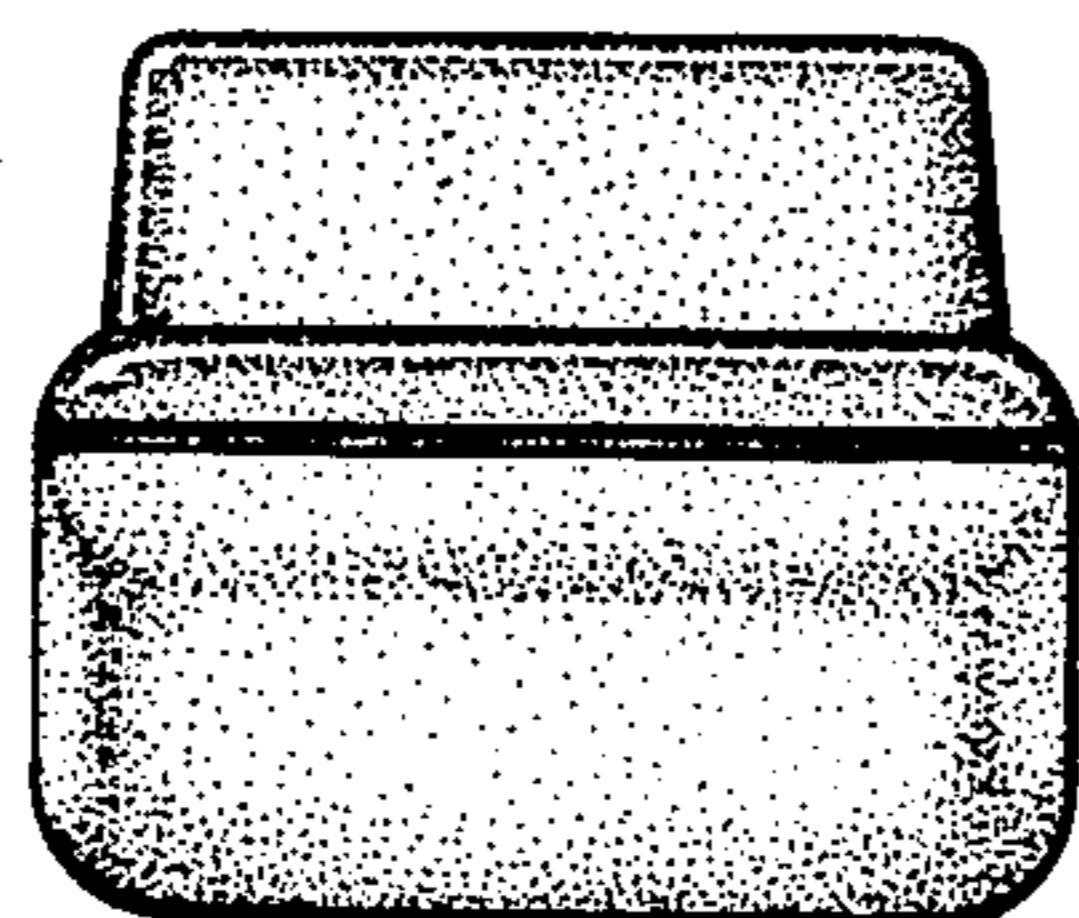


FIG. 6

