

[54] TELEPHONE STAND

[75] Inventors: William V. Jackwicz, Spring Lake Heights; Sompopol Jampathom, Oakhurst; Richard M. Joffe, Teaneck; Charles F. Liebler, Holmdel, all of N.J.

[73] Assignees: American Telephone and Telegraph, New York, N.Y.; AT&T Information Systems Inc., Morristown, N.J.

[**] Term: 14 Years

[21] Appl. No.: 254,007

[22] Filed: Sep. 30, 1988

[52] U.S. Cl. D14/142; D14/253

[58] Field of Search D14/53, 60; 379/433, 379/435, 424, 419, 428, 434, 436, 440

[56] References Cited

U.S. PATENT DOCUMENTS

270,635	9/1983	Bloem	D14/64
D. 272,149	1/1984	Genaro et al.	D14/60
D. 272,150	1/1984	Genaro et al.	D14/60
D. 275,483	9/1984	Genaro et al.	D14/60
D. 279,776	7/1985	Mitchell	D14/53 X
283,127	3/1986	Hai-Ping	D14/53
D. 283,420	4/1986	Reichenstein	D14/60

283,420	4/1986	Reichenstein	D14/53
D. 289,394	4/1987	Brown	D14/60
D. 296,693	7/1988	Davidson	D14/60
D. 297,534	9/1988	Daniels et al.	D14/60
3,557,322	1/1971	Wolden	379/435
3,564,164	2/1971	Prescott	379/433
4,710,596	12/1987	Kurokawn	379/424

OTHER PUBLICATIONS

Japan Electronic Engineering (May '72) No. 66: article "New Telephone Units in Japan"; p. 45; Cradle shown at lower right side of sheet.

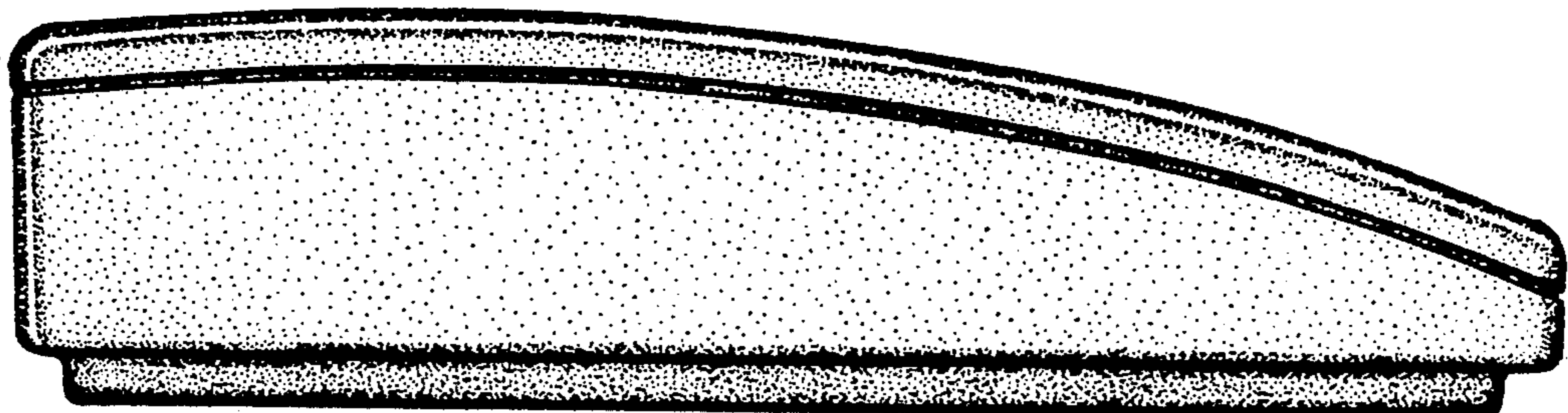
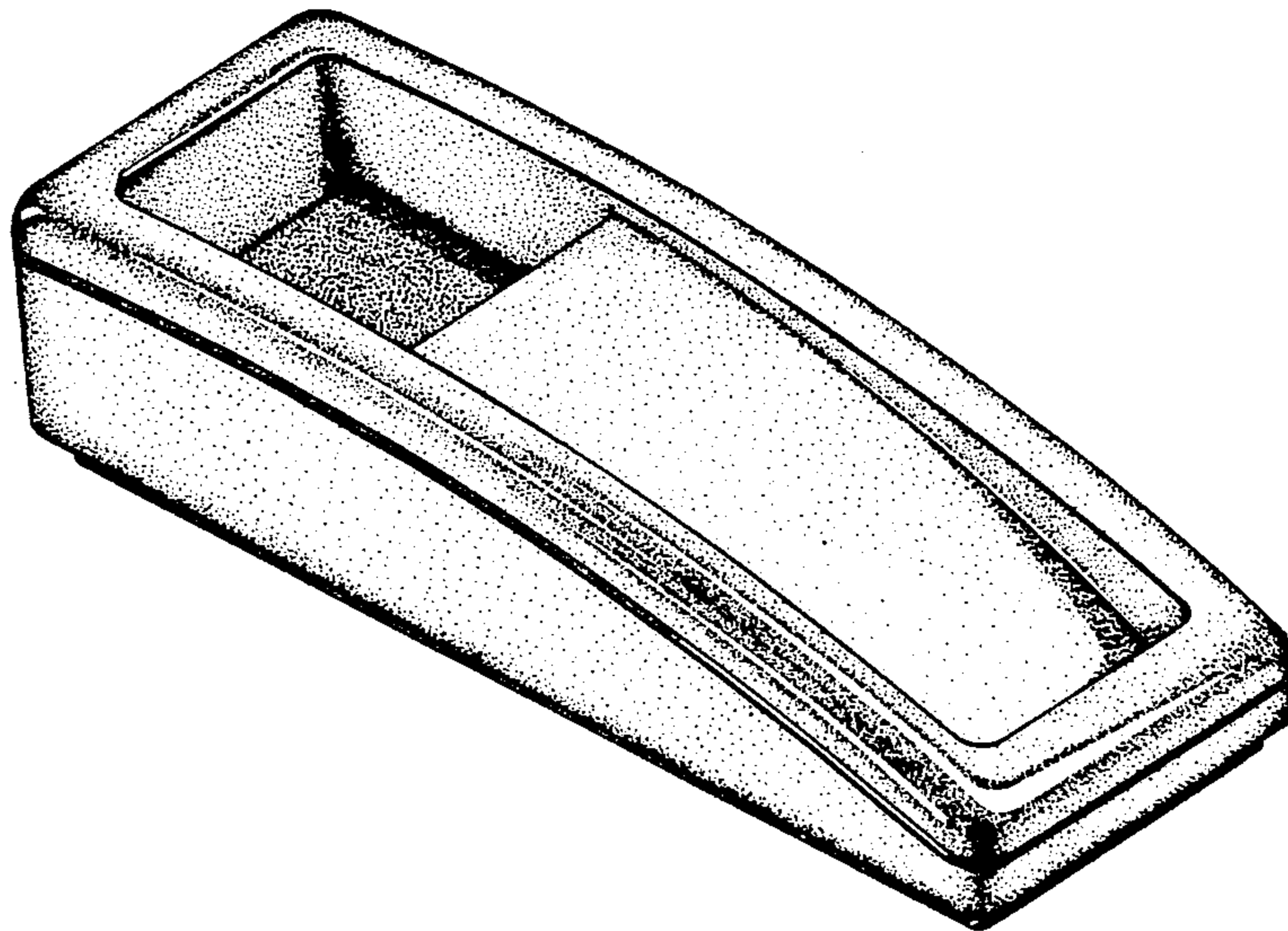
Primary Examiner—Horace B. Fay, Jr.
Attorney, Agent, or Firm—Samuel R. Williamson

[57] CLAIM

The ornamental design for telephone stand, as shown and described.

DESCRIPTION

FIG. 1 is a top, front and left side perspective view of a telephone stand embodying our new design; FIG. 2 is a top plan view thereof; FIG. 3 is a bottom plan view thereof; FIG. 4 is a side elevation thereof, the opposite side being essentially a mirror image of the side shown; FIG. 5 is a front elevation view thereof; and FIG. 6 is a rear elevation view thereof.



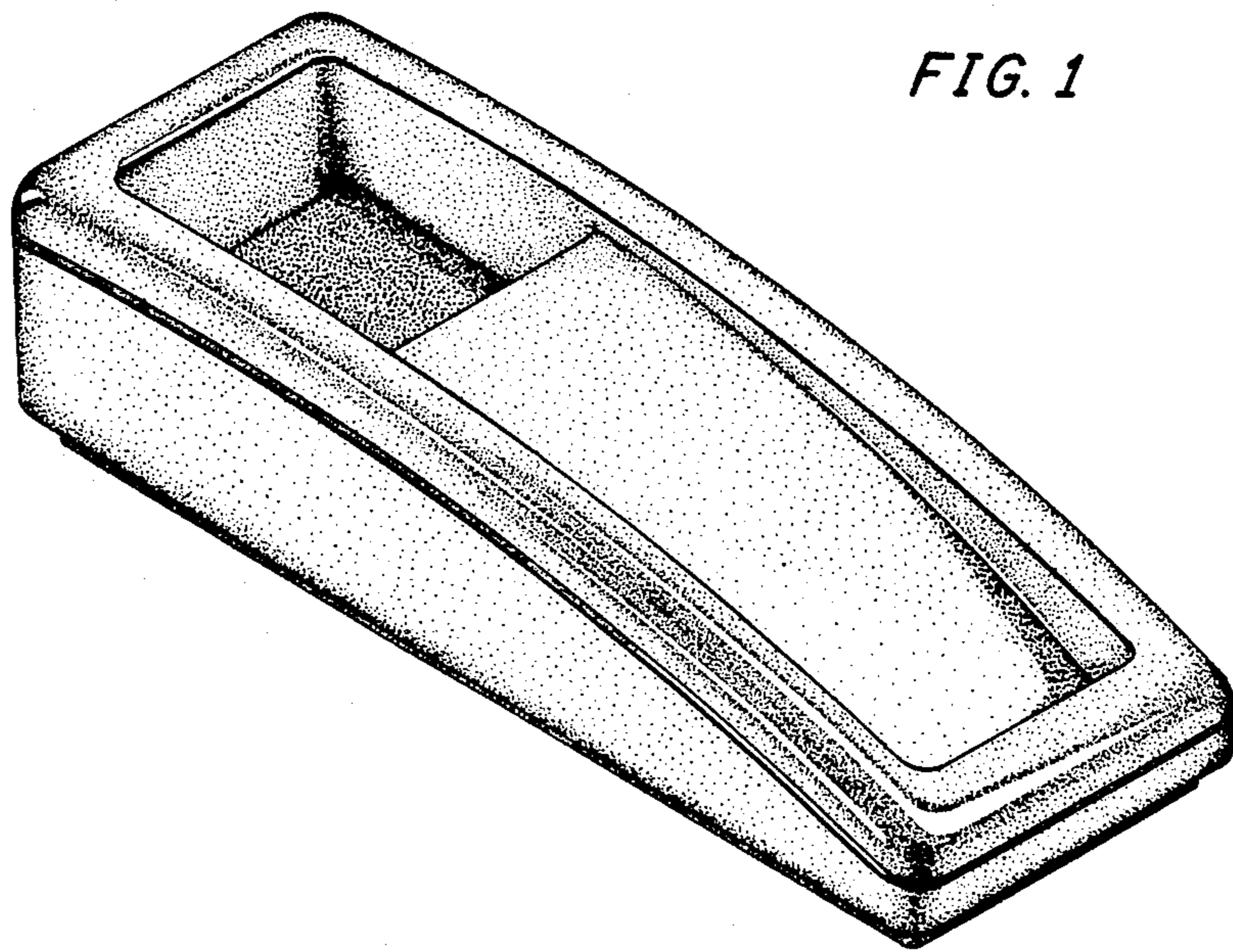


FIG. 1

FIG. 2

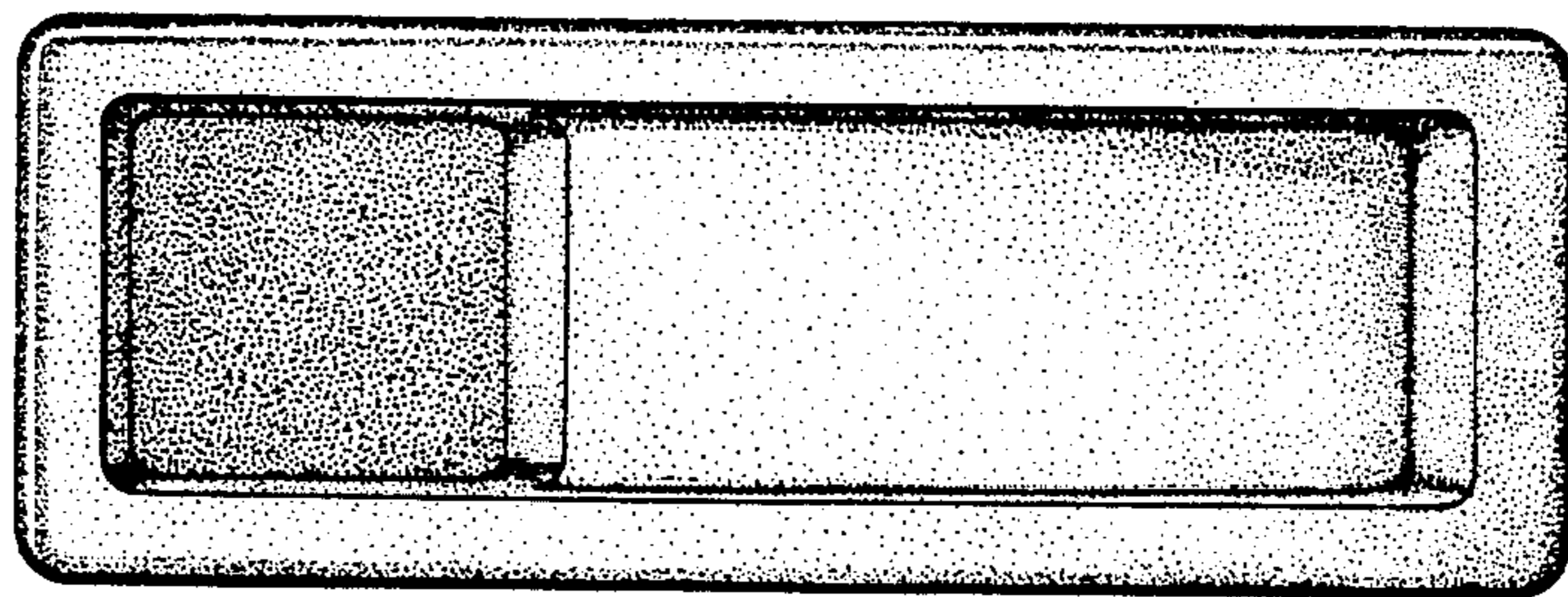


FIG. 3

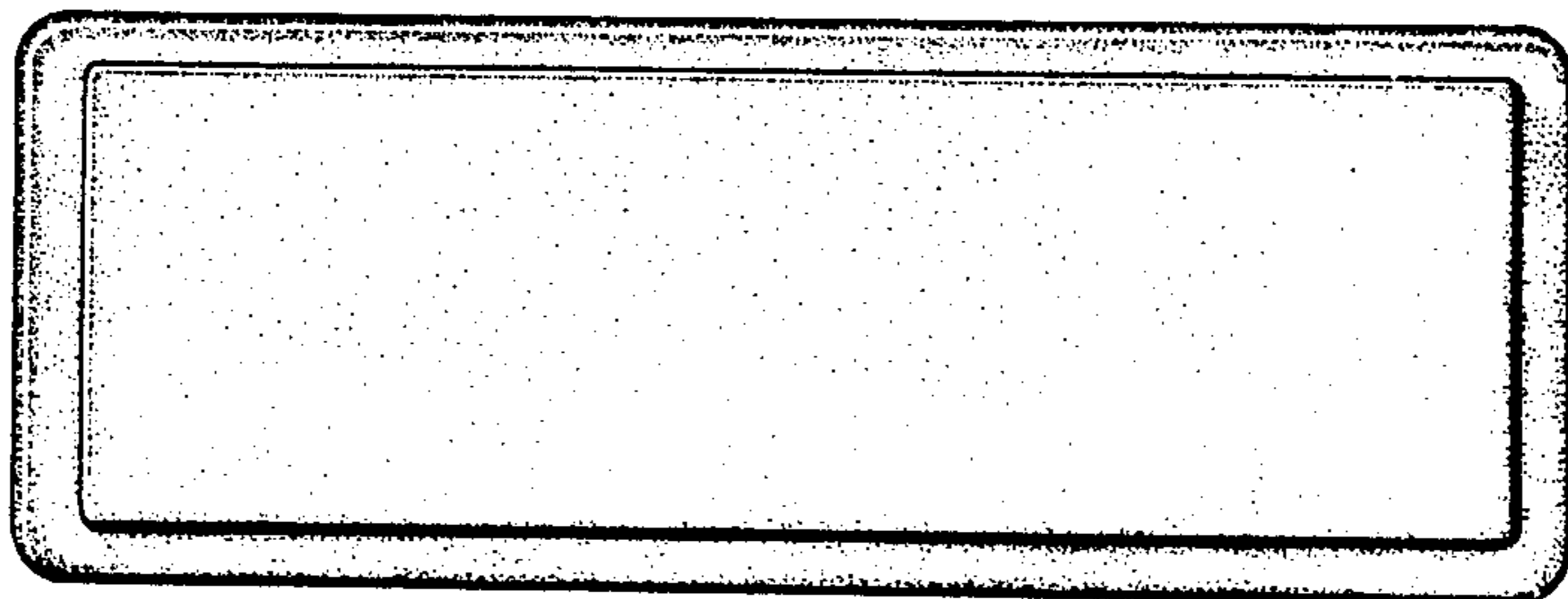


FIG. 4

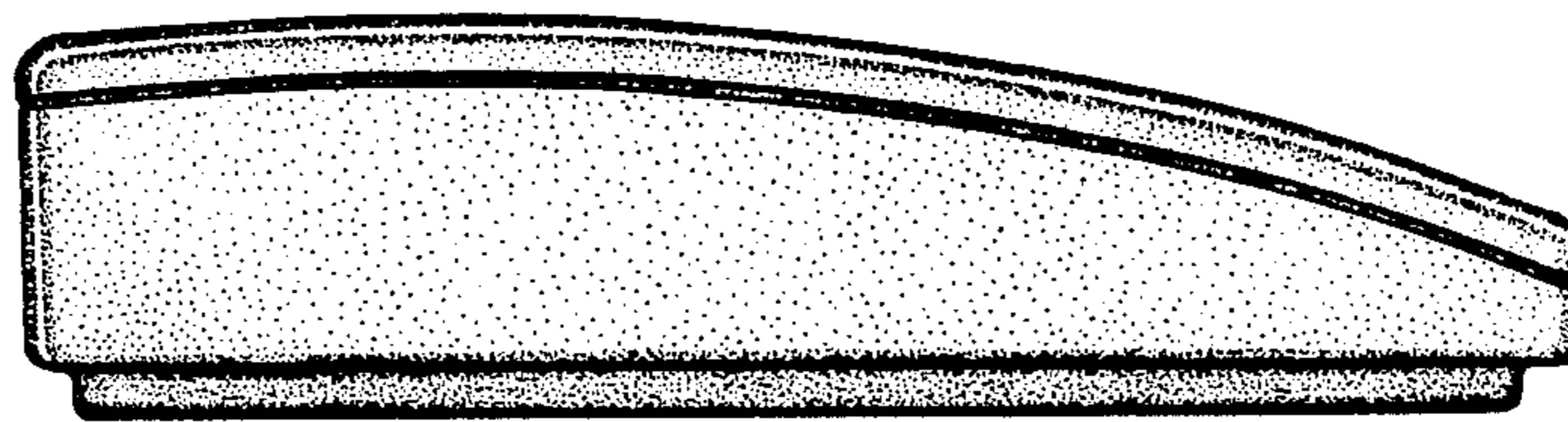


FIG. 5

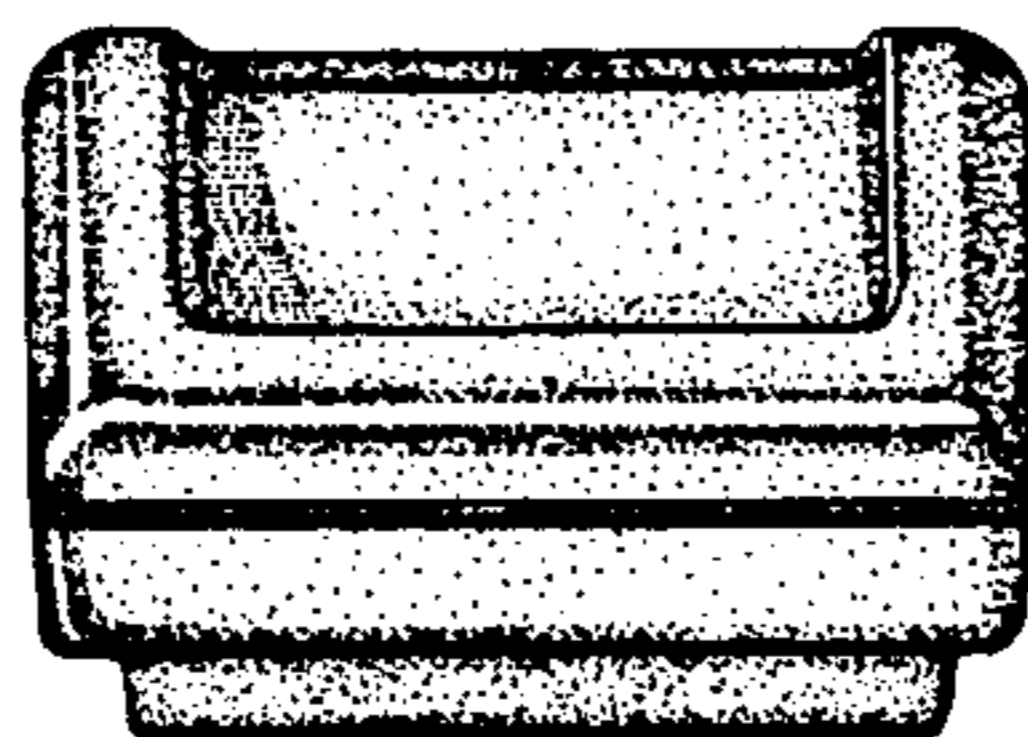


FIG. 6

