

United States Patent [19]

Sugimoto

[11] Patent Number: **Des. 301,141**

[45] Date of Patent: **** May 16, 1989**

[54] **PRINTER**

[75] Inventor: **Isao Sugimoto, Tokyo, Japan**

[73] Assignee: **Citizen Watch Co., Ltd., Tokyo, Japan**

[**] Term: **14 Years**

[21] Appl. No.: **896,279**

[22] Filed: **Aug. 14, 1986**

[30] **Foreign Application Priority Data**

Jun. 17, 1986 [JP] Japan 61-23116

[52] U.S. Cl. **D14/111; D18/13**

[58] Field of Search **D14/100-117, D14/99; D13/40, 41; D18/12, 13, 18, 22; 200/5 R, 5 A, 6 R, 6 A; 235/375; 346/76 PH, 76 L; 364/900; 400/689, 690, 690.1, 690.4, 693, 694; 361/331, 380, 381; 174/50, 50.52, 53, 58; 206/471**

[56] **References Cited**

U.S. PATENT DOCUMENTS

D. 290,967 7/1987 Mochizuki D18/13

4,620,199 10/1986 Tatsumi et al. 346/76 PH

FOREIGN PATENT DOCUMENTS

0067078 4/1984 Japan 400/689

0073880 4/1985 Japan 400/689

OTHER PUBLICATIONS

Byte 7-1984, p. 201-Fujitsu Printers (3rd Printer from top).

Primary Examiner—Susan J. Lucas

Assistant Examiner—Freda S. Nunn

Attorney, Agent, or Firm—Cushman, Darby & Cushman

[57] **CLAIM**

The ornamental design for a printer, as shown.

DESCRIPTION

FIG. 1 is a top, front and right side perspective view of a printer showing my new design, FIG. 2 is a front elevational view thereof, FIG. 3 is a rear elevational view thereof, FIG. 4 is a left side elevational view thereof, FIG. 5 is a right side elevational view thereof, FIG. 6 is a top plan view thereof, and FIG. 7 is a bottom plan view thereof.

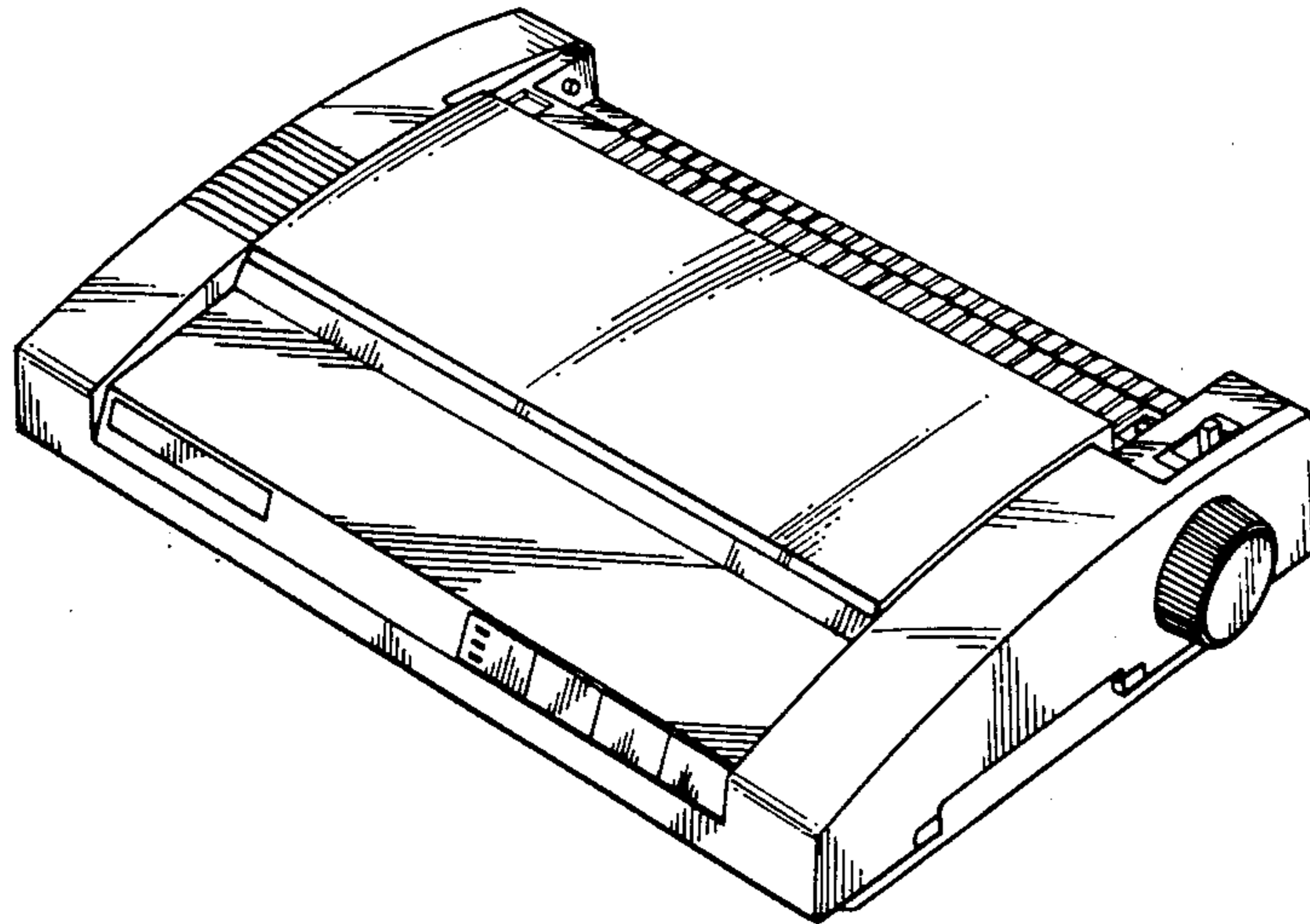


FIG. 1

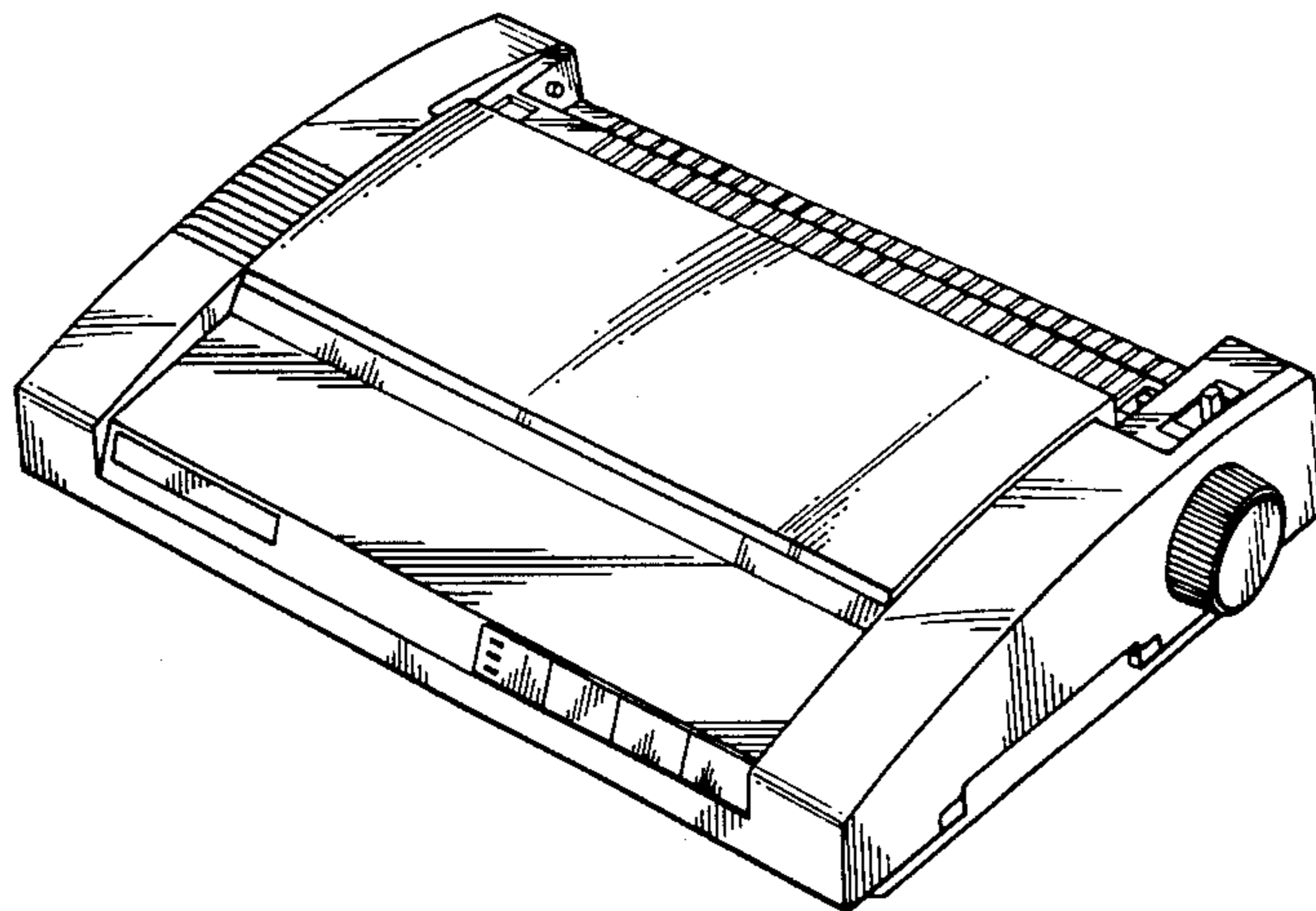


FIG. 2

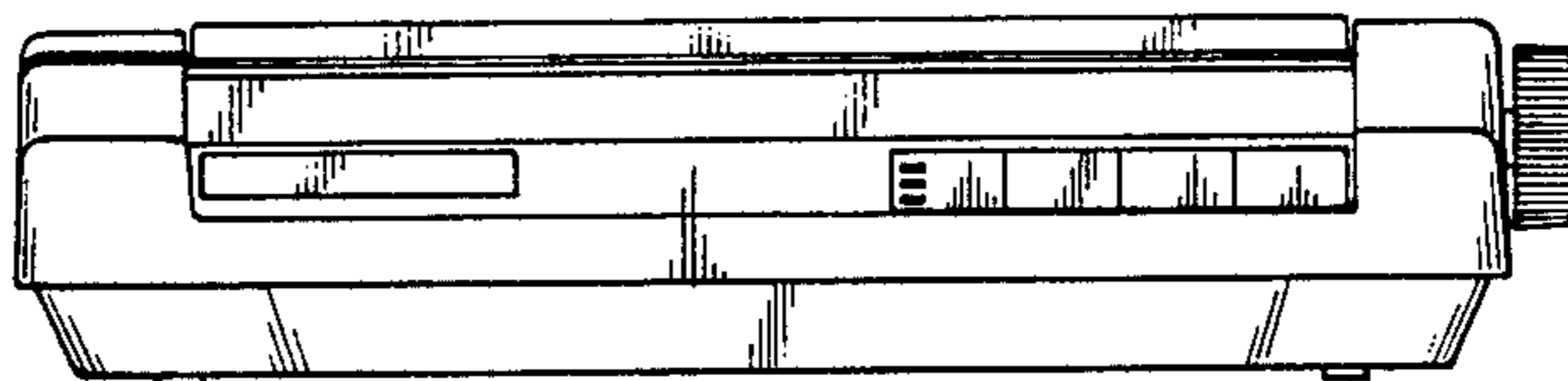


FIG. 3

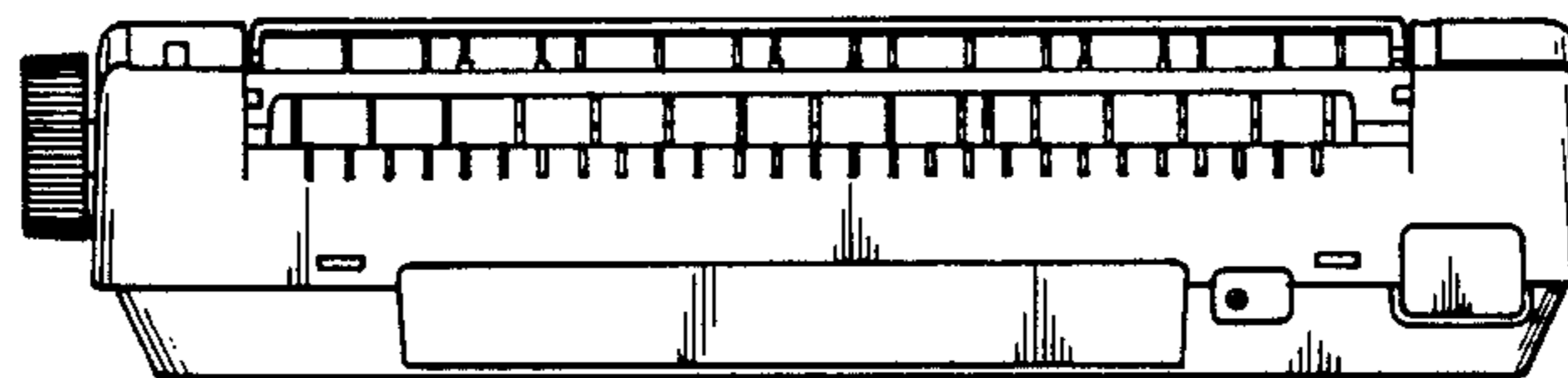


FIG. 4

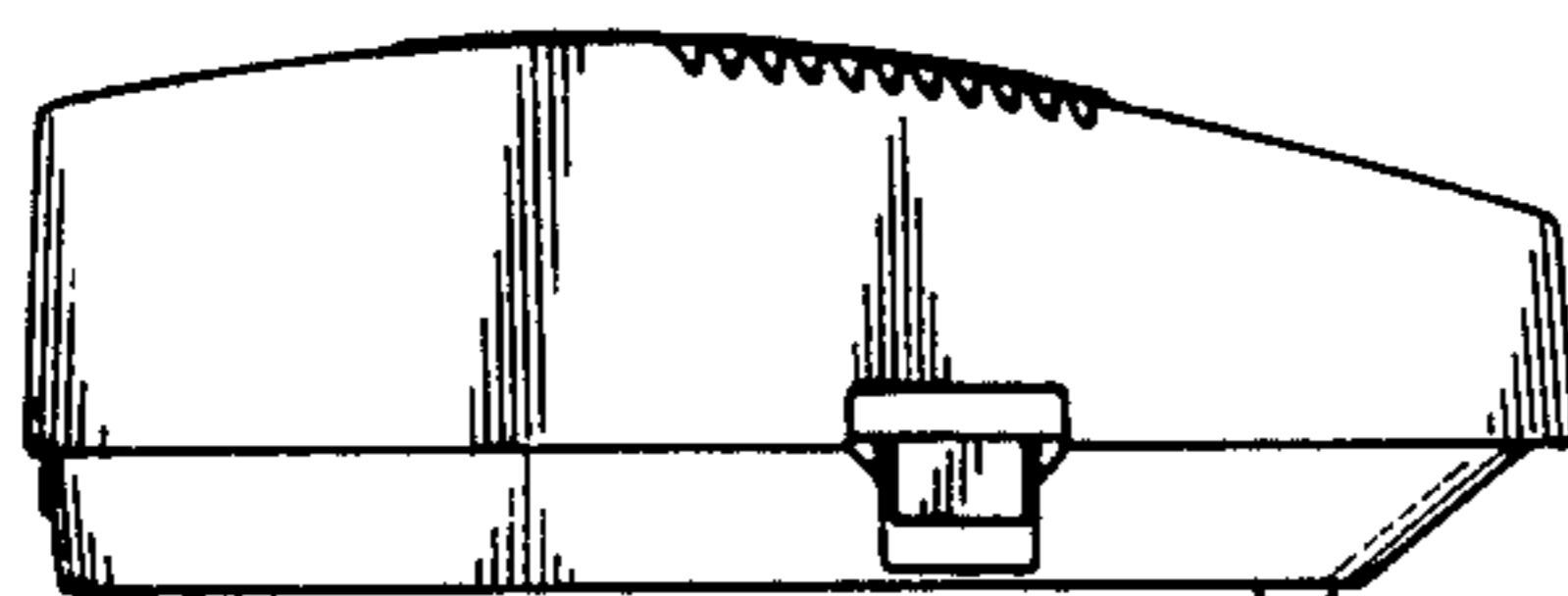


FIG. 5

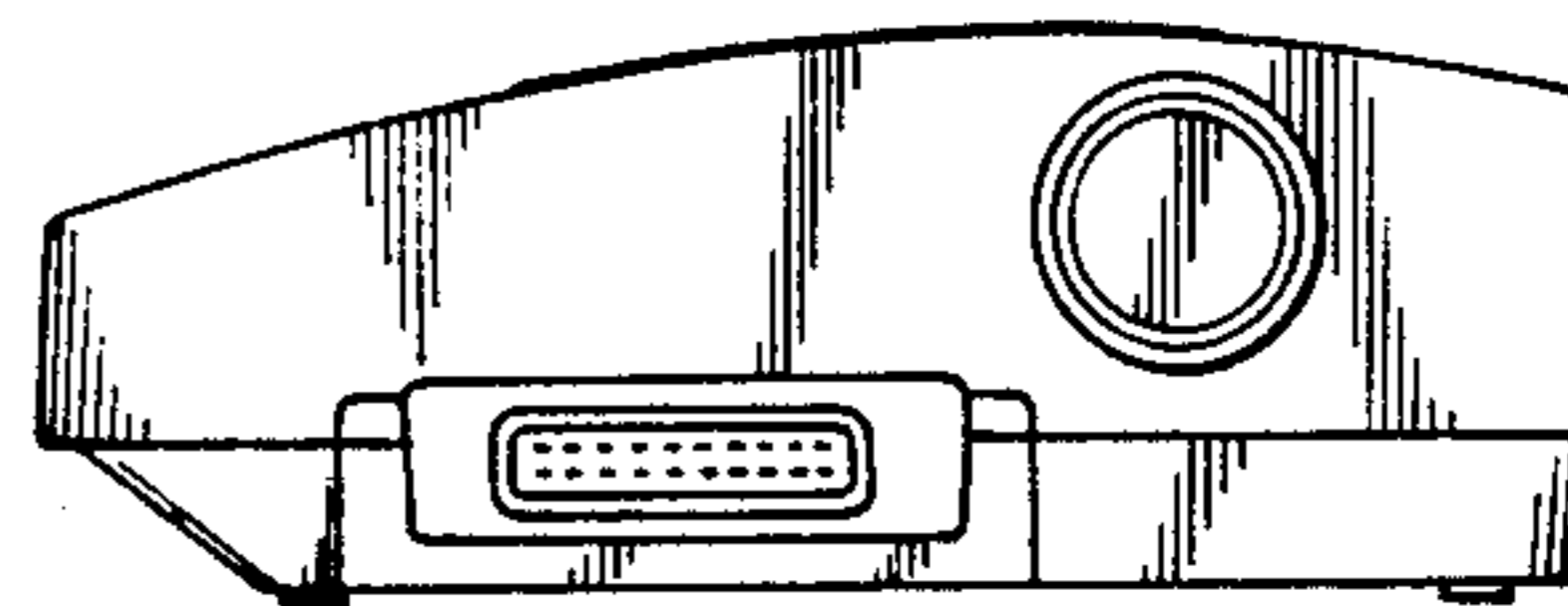


FIG. 6

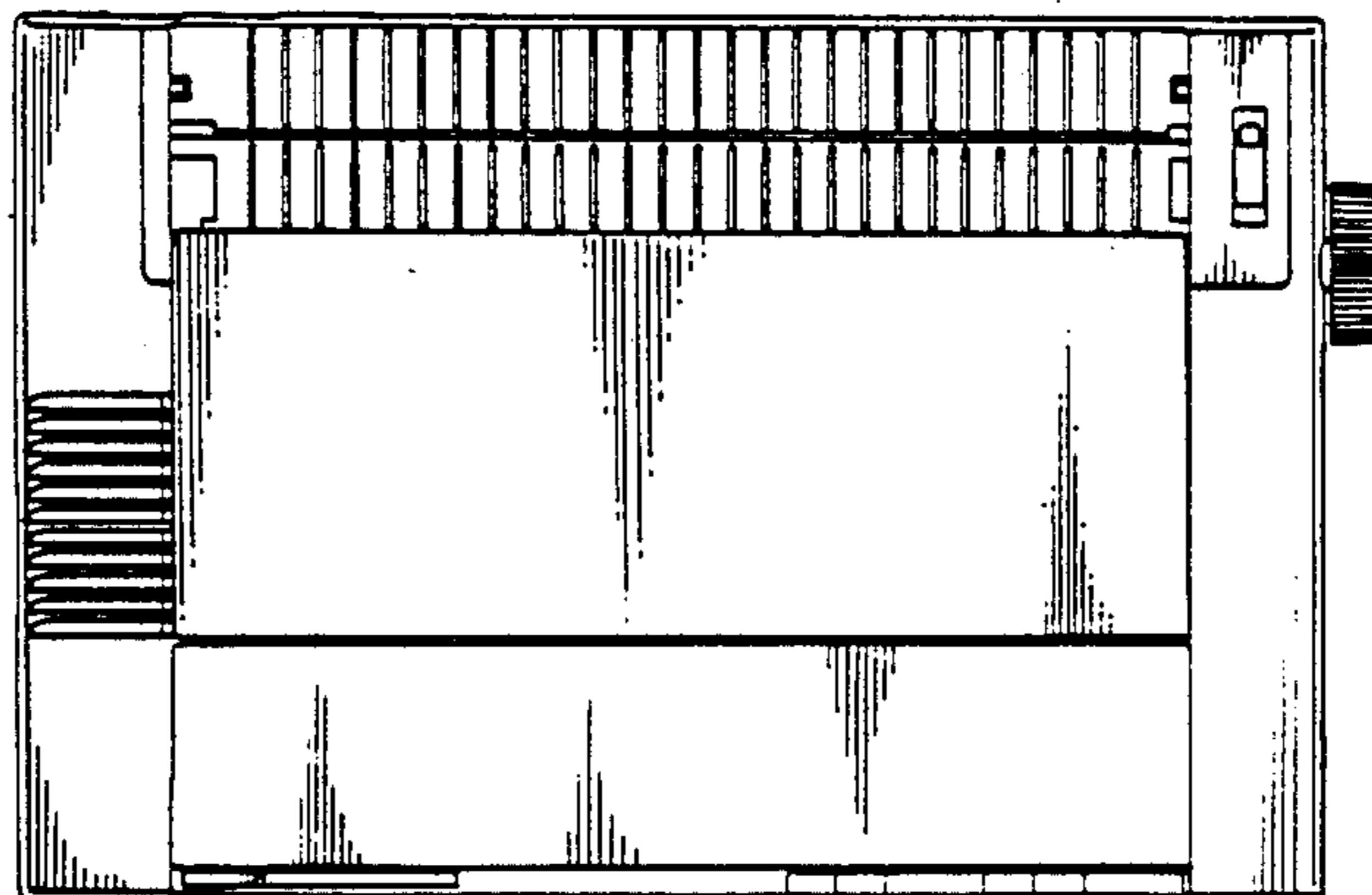


FIG. 7

