

[54] STACKABLE HOUSING FOR COMPUTER PERIPHERAL COMPONENTS

[75] Inventors: Thomas Treptow, Mission Viejo; John M. Loftus, Costa Mesa, both of Calif.

[73] Assignee: Western Digital Corporation, Irvine, Calif.

[\*\*] Term: 14 Years

[21] Appl. No.: 874,362

[22] Filed: Jun. 13, 1986

[52] U.S. Cl. .... D13/40

[58] Field of Search ..... D13/12, 40-41, D13/99; D14/107, 109, 114; 361/380, 331, 390, 392-395, 415

[56] References Cited

U.S. PATENT DOCUMENTS

D. 263,472	3/1982	Nishi et al. ....	D14/109
D. 271,202	11/1983	Endt .....	D14/109
D. 283,131	3/1986	Baker .....	D14/109
D. 286,050	10/1986	Roots et al. ....	D14/109
4,012,089	3/1977	Ward .....	312/236
4,501,460	2/1985	Sisler .....	439/292
4,558,914	12/1985	Prager et al. ....	439/259

FOREIGN PATENT DOCUMENTS

3015972 11/1982 Fed. Rep. of Germany .  
2173651 10/1986 United Kingdom .

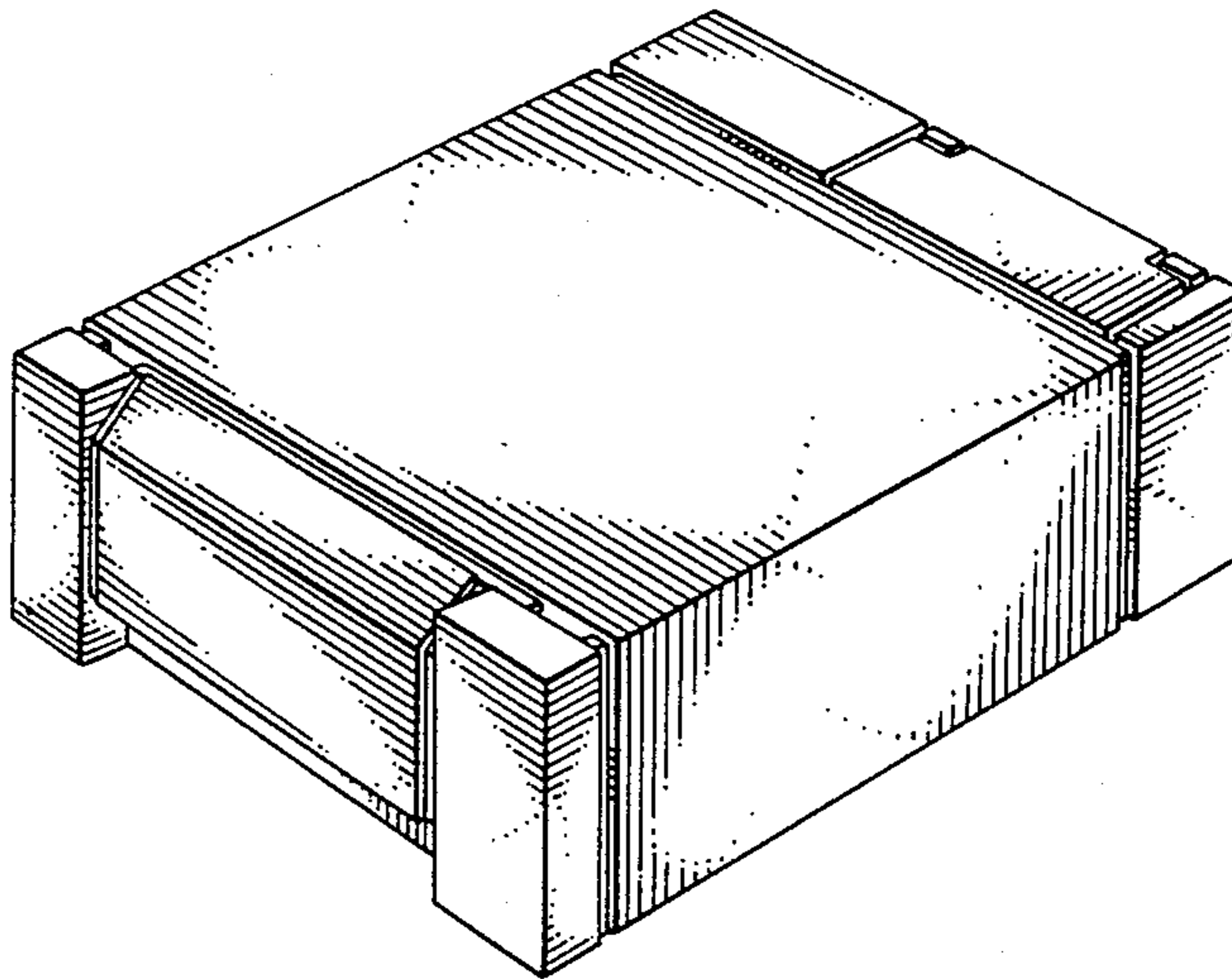
Primary Examiner—Bruce W. Dunkins  
Assistant Examiner—Ruth Takemoto  
Attorney, Agent, or Firm—Spensley Horn Jubas & Lubitz

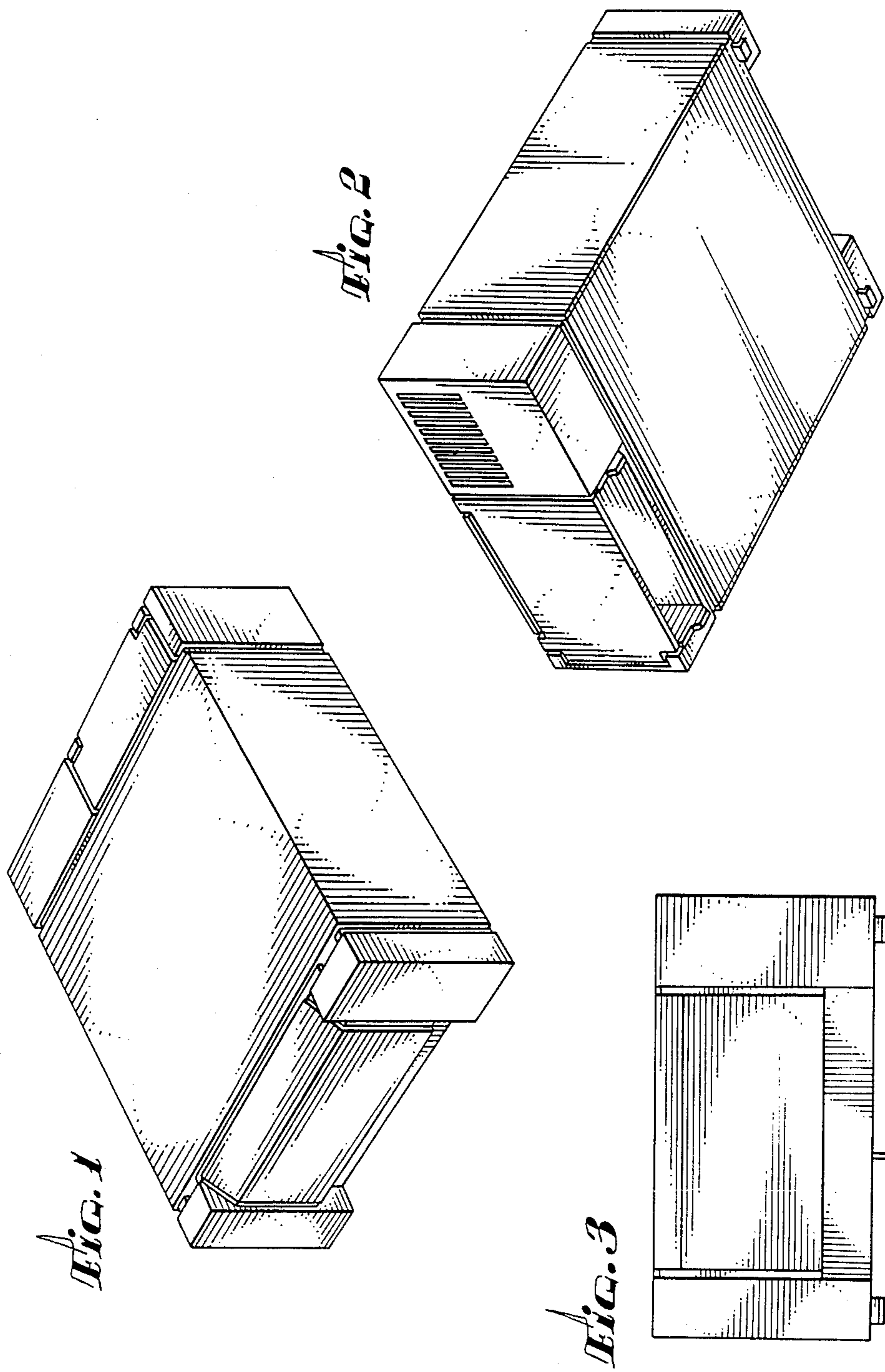
[57] CLAIM

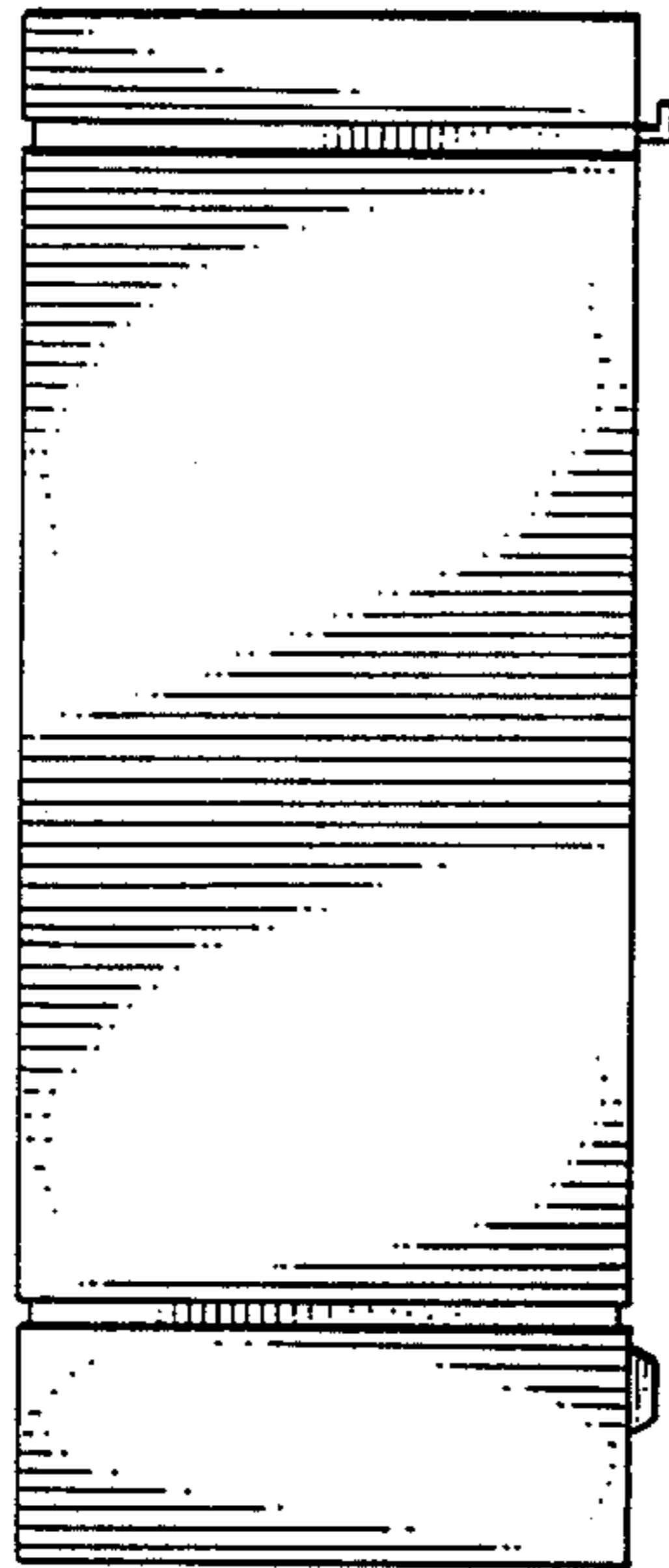
The ornamental design for a stackable housing for computer peripheral components, as shown and described.

DESCRIPTION

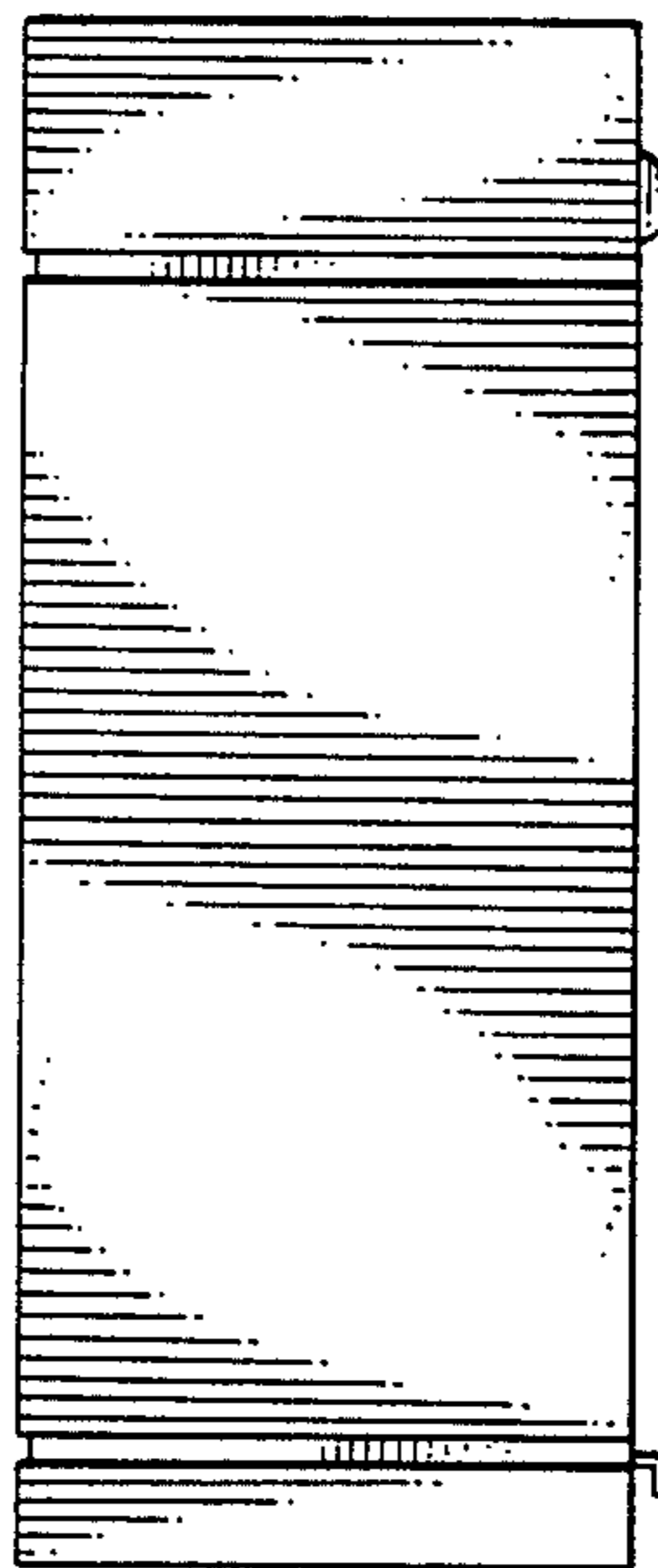
FIG. 1 is a top, front and right side perspective view of a stackable housing for computer peripheral components showing our new design;  
FIG. 2 is a bottom, rear and left side perspective view thereof;  
FIG. 3 is a front elevational view thereof;  
FIG. 4 is a top plan view thereof;  
FIG. 5 is a left side elevational view thereof;  
FIG. 6 is a right side elevational view thereof;  
FIG. 7 is a rear elevational view thereof;  
FIG. 8 is a bottom plan view thereof; and  
FIG. 9 is a perspective view thereof the stackable housing shown in broken lines is for illustrative purposes only and form no part of the claimed design.



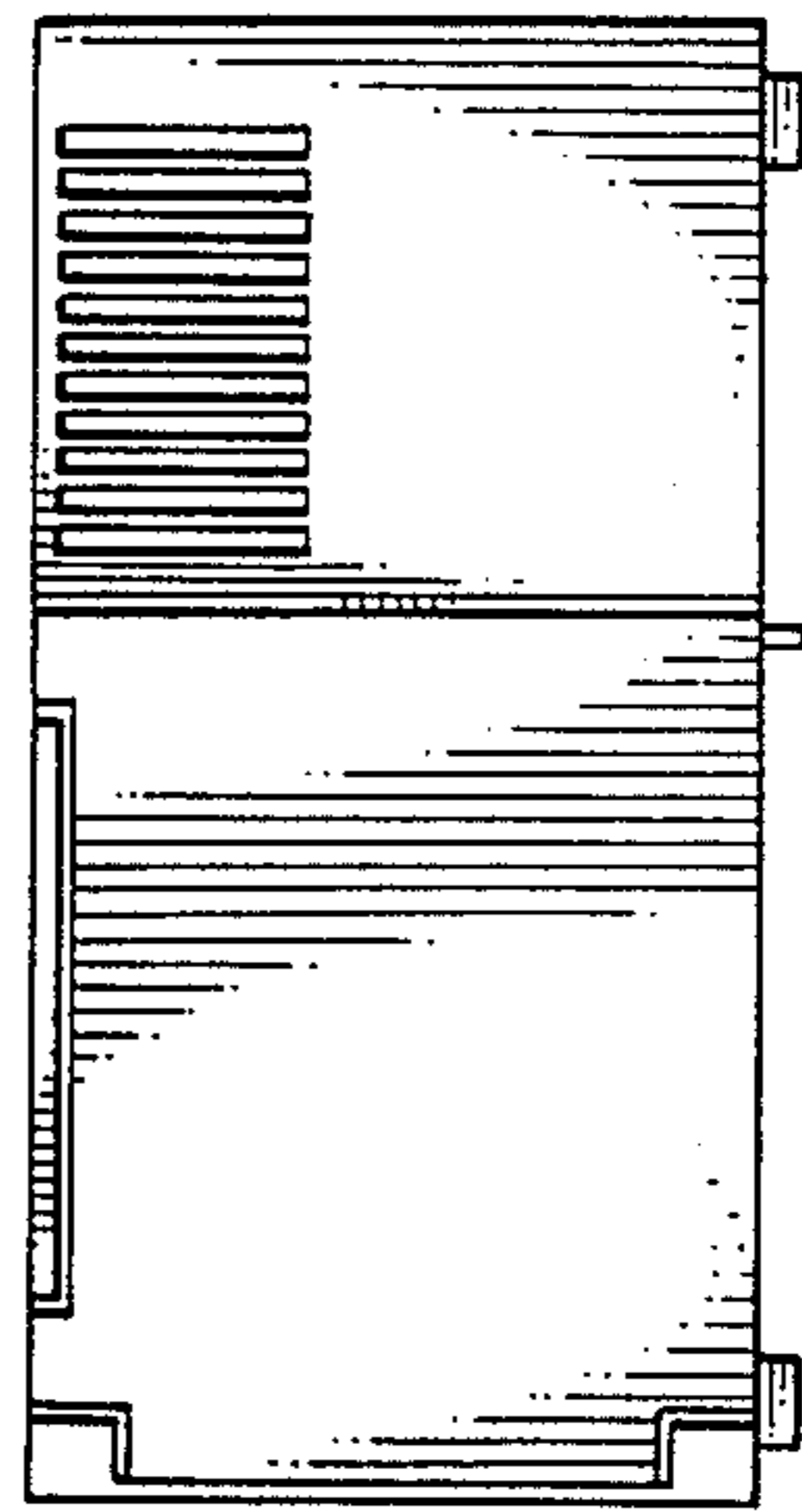




*FIG. 5*

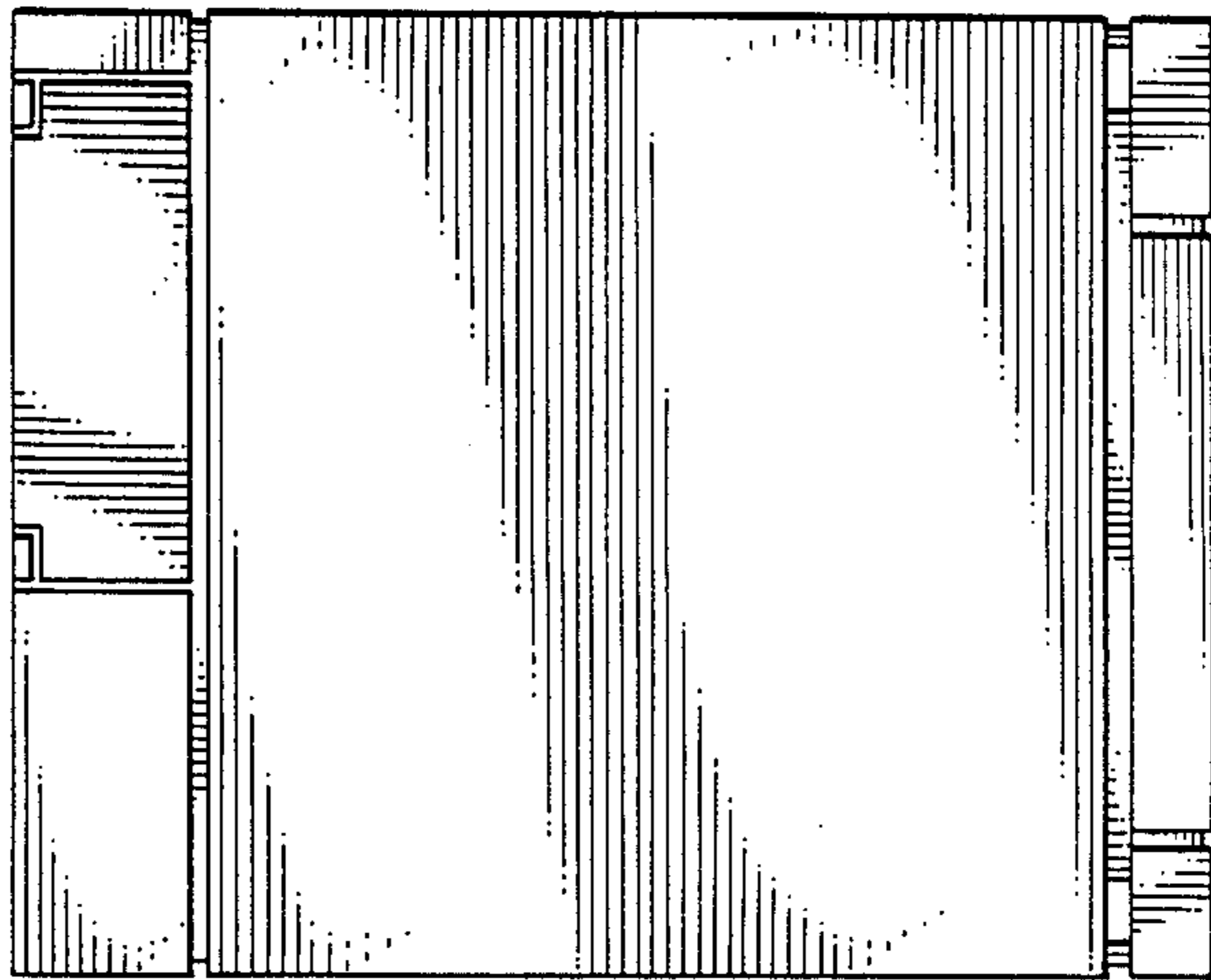


*FIG. 6*

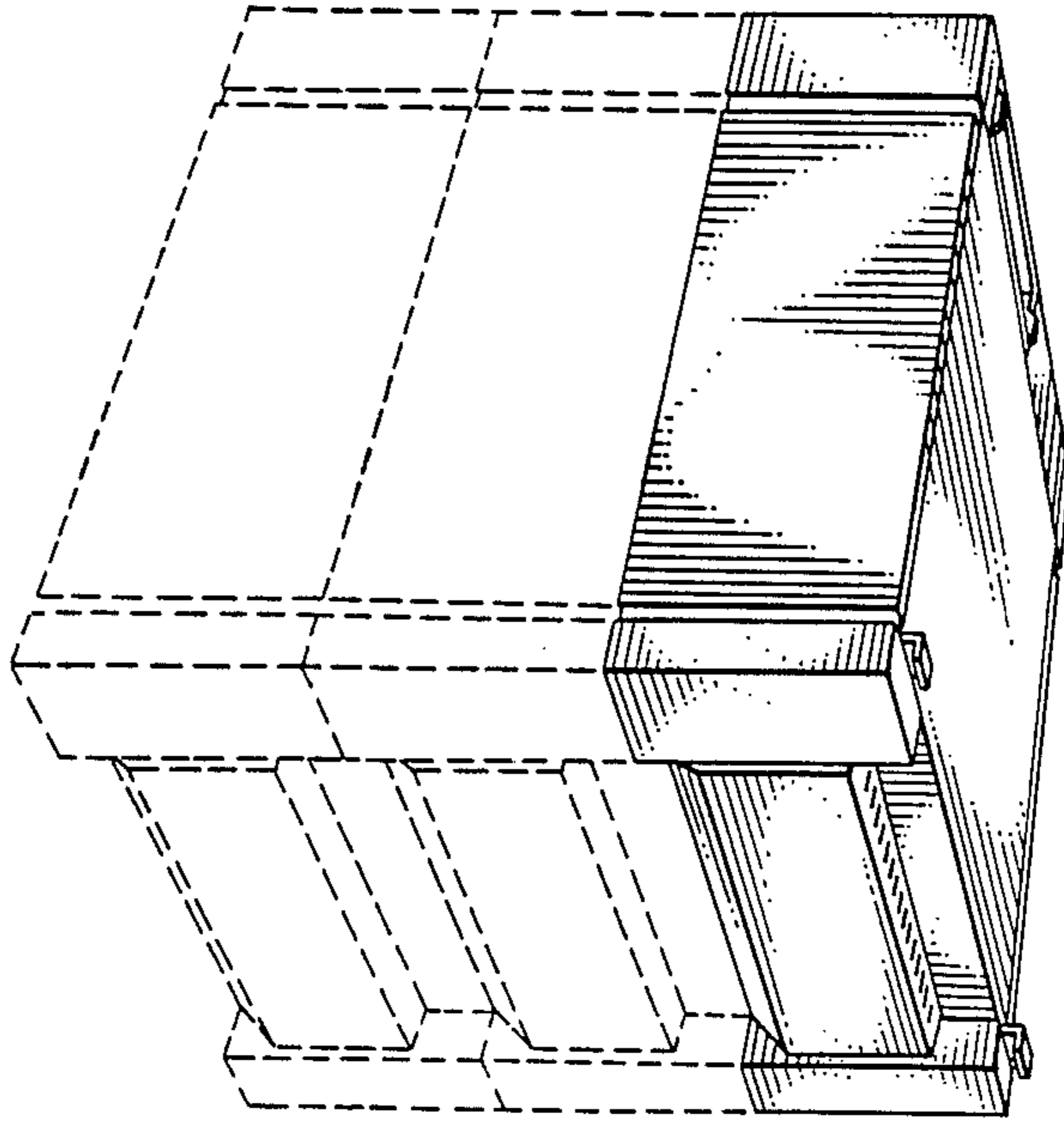


*FIG. 7*

*FIG. 4*



*FIG. 9*



*FIG. 8*

