

[54] BATTERY CHARGER

[75] Inventor: Joseph J. Schappler, Rochester, N.Y.

[73] Assignee: Eastman Kodak Company,
Rochester, N.Y.

[**] Term: 14 Years

[21] Appl. No.: 83,986

[22] Filed: Aug. 10, 1987

[52] U.S. Cl. D13/5

[58] Field of Search D13/4-6,
D13/11-12, 41; 320/2-5, 48, 61; 429/97-100

[56] References Cited

U.S. PATENT DOCUMENTS

- D. 206,804 1/1967 Cunitz D26/15
- D. 206,805 1/1967 Cunitz D13/5
- D. 216,469 1/1970 Floyd D13/5

- D. 223,099 3/1972 Sato D13/5
- D. 224,118 7/1972 Hartz D13/5
- D. 227,123 6/1973 Sato D13/5
- 3,209,230 9/1965 Mas 320/4
- 4,403,182 9/1983 Yeh 320/2

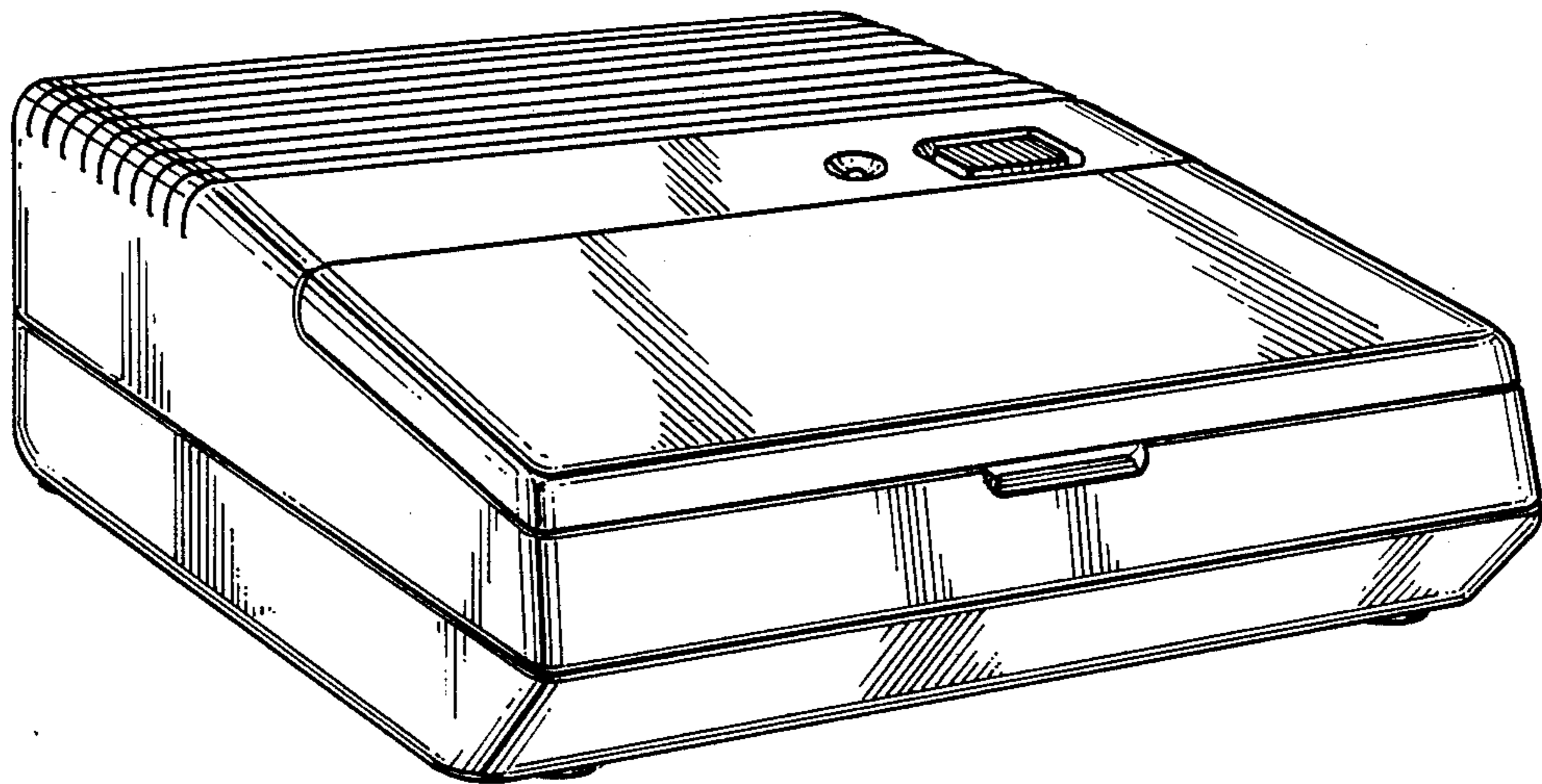
Primary Examiner—Bruce W. Dunkins
Assistant Examiner—Ruth Takemoto
Attorney, Agent, or Firm—Donald D. Schaper

[57] CLAIM

The ornamental design for a battery charger, as shown and described.

DESCRIPTION

FIG. 1 is a perspective view of a battery charger showing my new design;
FIG. 2 is a right-side elevational view thereof;
FIG. 3 is a rear elevational view thereof; and
FIG. 4 is a bottom plan view thereof.



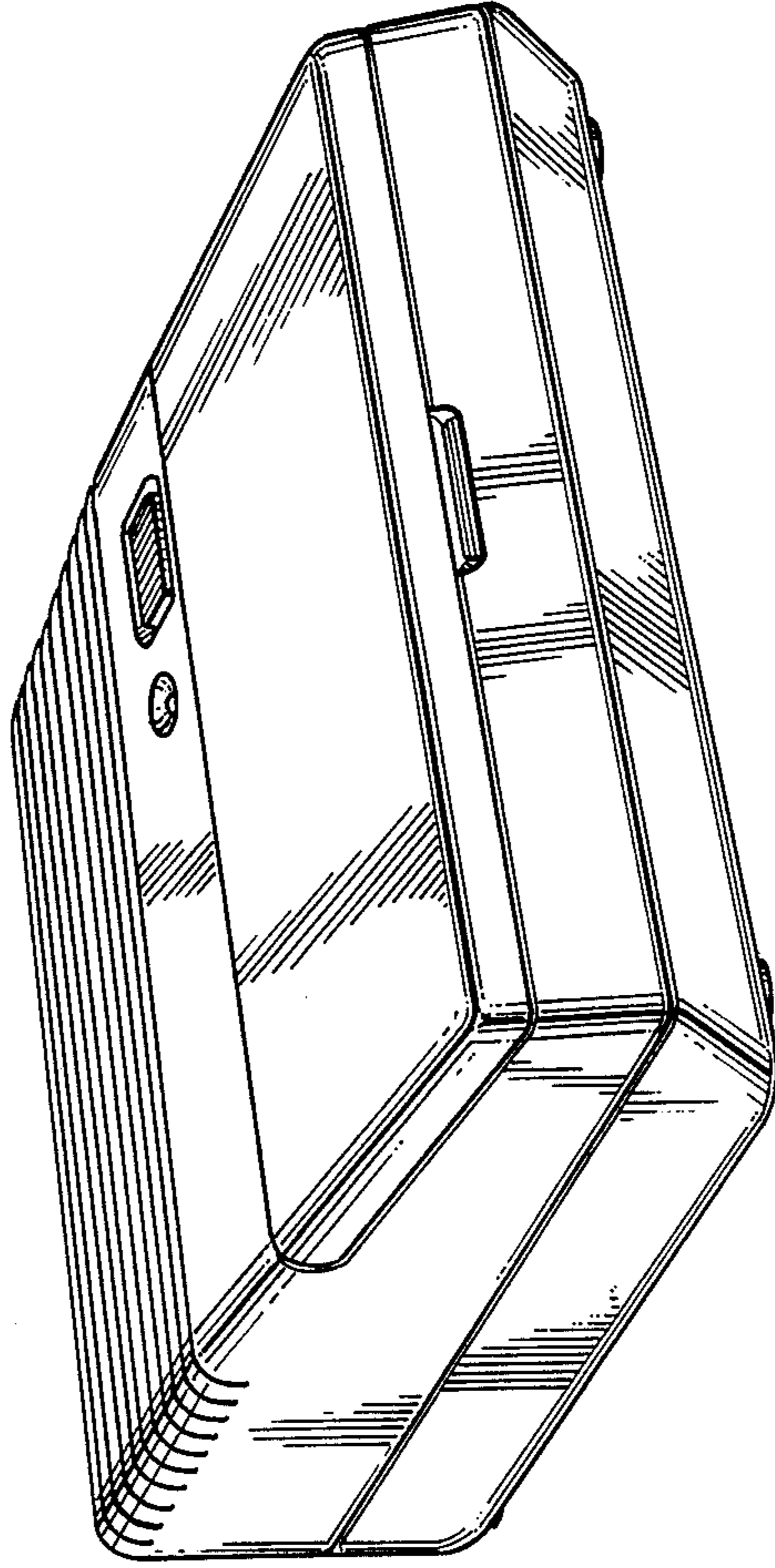


Fig. 1

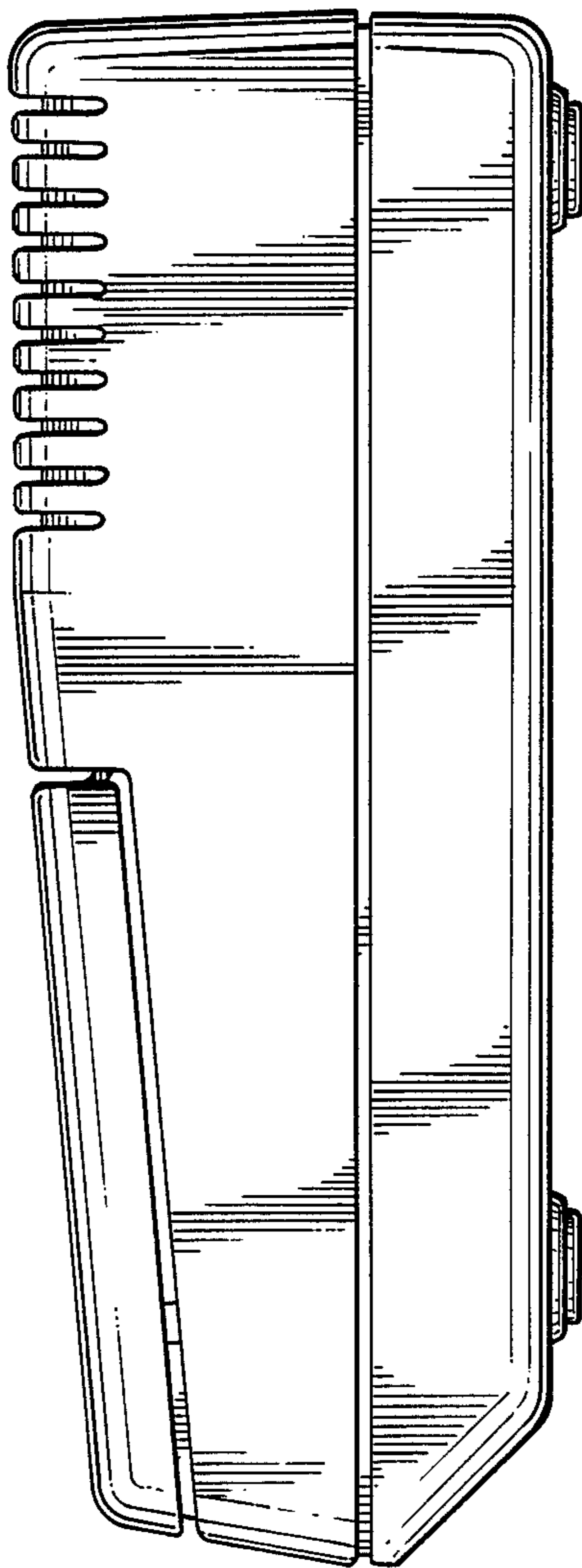


Fig. 2

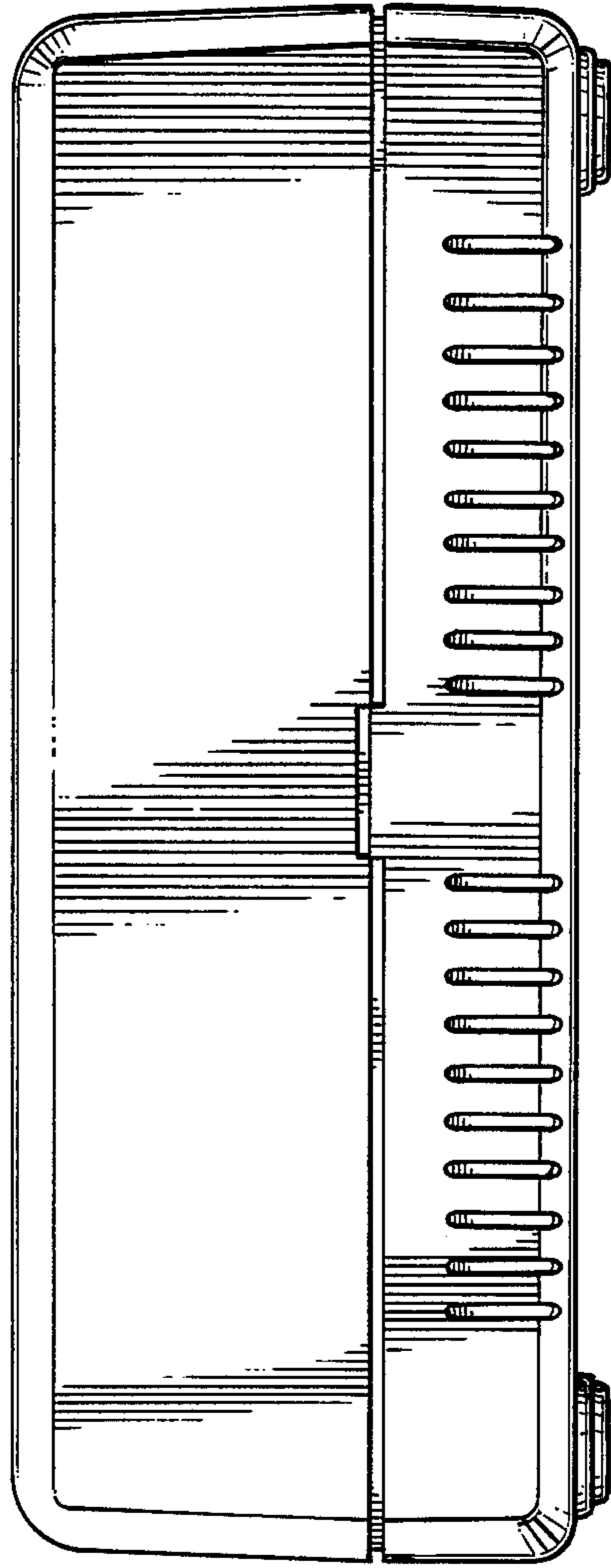


Fig. 3

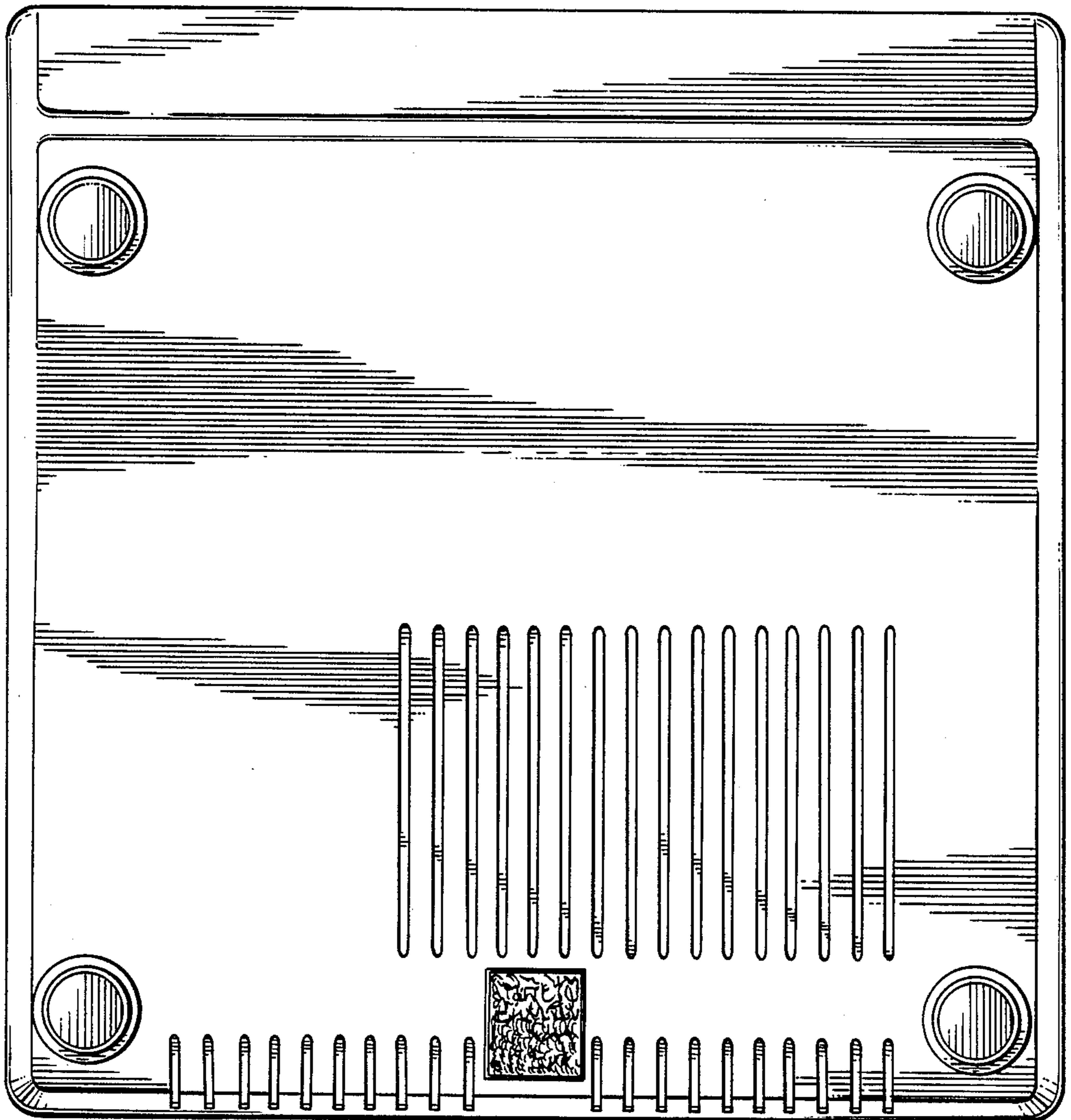


Fig. 4