

United States Patent [19]

Brooks

[11] Patent Number: Des. 301,131

[45] Date of Patent: ** May 16, 1989

[54] **INVALID'S CHAIR**

[76] Inventor: **Raymond P. Brooks**, 2307 Roberts St., Wichita Falls, Tex. 76301

[**] Term: **14 Years**

[21] Appl. No.: **52,350**

[22] Filed: **May 21, 1987**

[52] U.S. Cl. **D12/128; D12/131**

[58] Field of Search **D12/128, 131, 132; 280/647, 648, 649, 650, 242 WC, 289 WC, 47.38, 642, 643, 644; 297/DIG. 4, 348, 84; 5/86, 81**

[56] **References Cited**

U.S. PATENT DOCUMENTS

D. 250,977	2/1979	Powers	D12/128
D. 286,626	11/1986	Britz	D12/128
D. 286,762	11/1986	Britz	D12/128
3,215,458	11/1965	Wamsley	297/348
3,261,031	7/1966	Gates	5/86
4,016,005	4/1977	DeMatteo	134/30
4,079,990	3/1978	McMunn et al.	297/69
4,099,277	7/1978	Watkins	5/81
4,285,541	8/1981	Onishi	297/84

4,428,615	1/1984	Hynson	297/118
4,453,732	6/1984	Assanah et al.	280/648
4,691,962	9/1987	Holdt	D12/131
4,717,169	1/1988	Shaffer	280/648

FOREIGN PATENT DOCUMENTS

939012 10/1963 United Kingdom 280/47.38

Primary Examiner—Wallace R. Burke

Assistant Examiner—Kay H. Chin

Attorney, Agent, or Firm—David H. Semmes

[57] **CLAIM**

The ornamental design for an invalid's chair, as shown and described.

DESCRIPTION

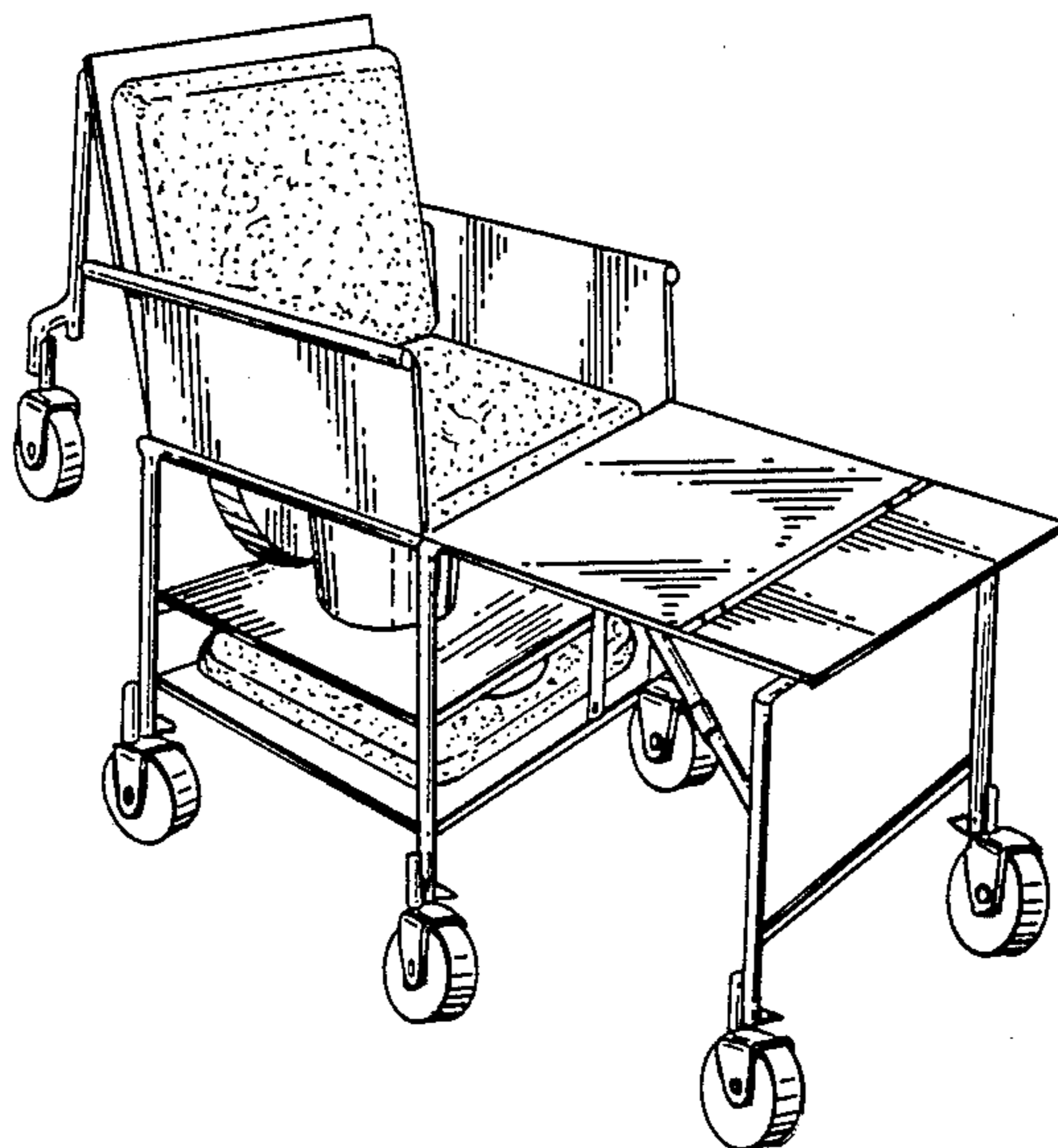
FIG. 1 is a perspective view of an invalid's chair, showing the design adapted for wheelchair use;

FIG. 2 is a rear perspective view thereof, with the leg-rest in raised condition;

FIG. 3 is a front perspective view of FIG. 2;

FIG. 4 is a top plan view thereof, showing the design adapted for horizontal support of a patient; and,

FIG. 5 is a perspective view as in FIG. 1, showing the design adapted for potty use.



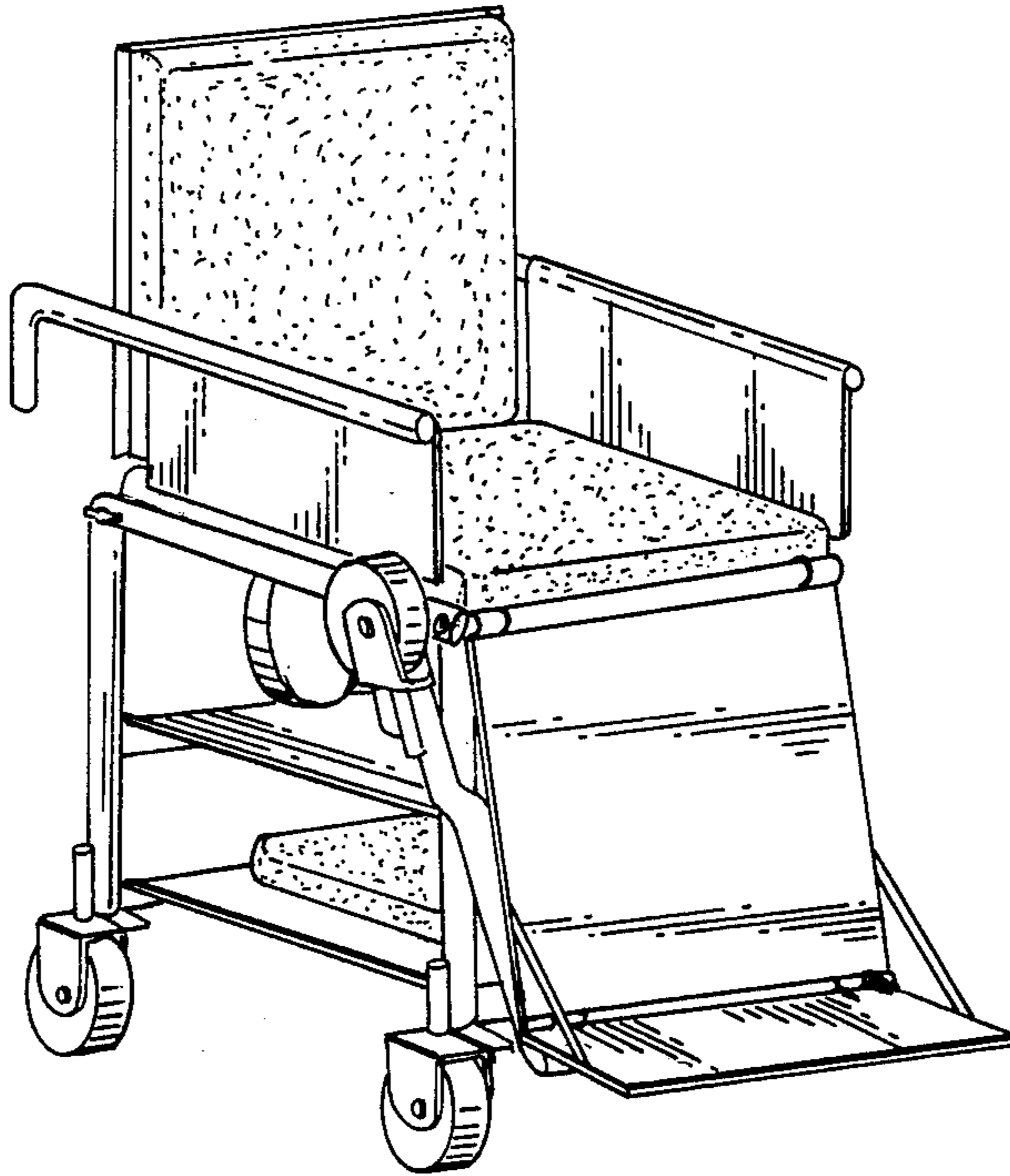


FIG. 1

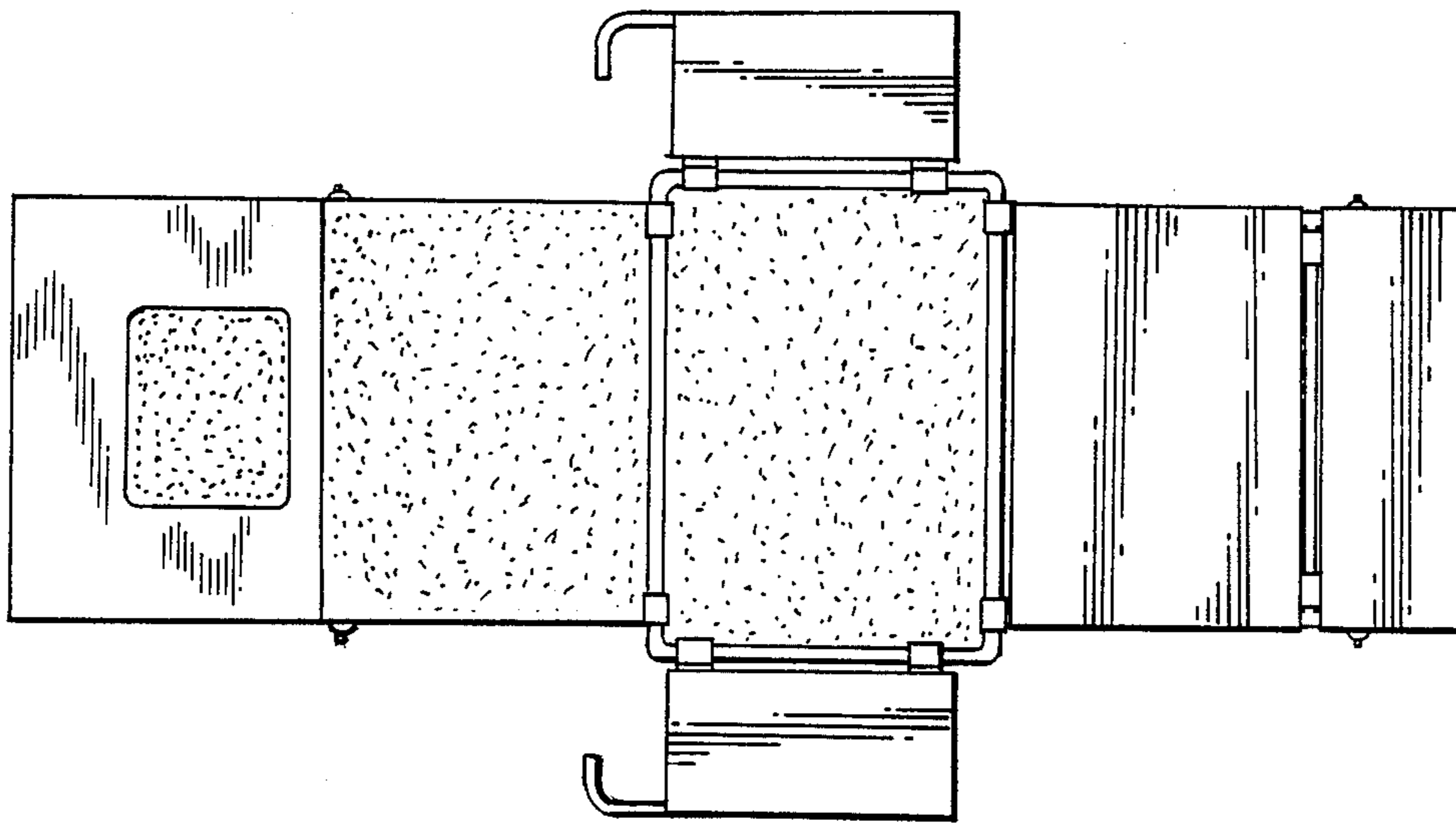


FIG. 4

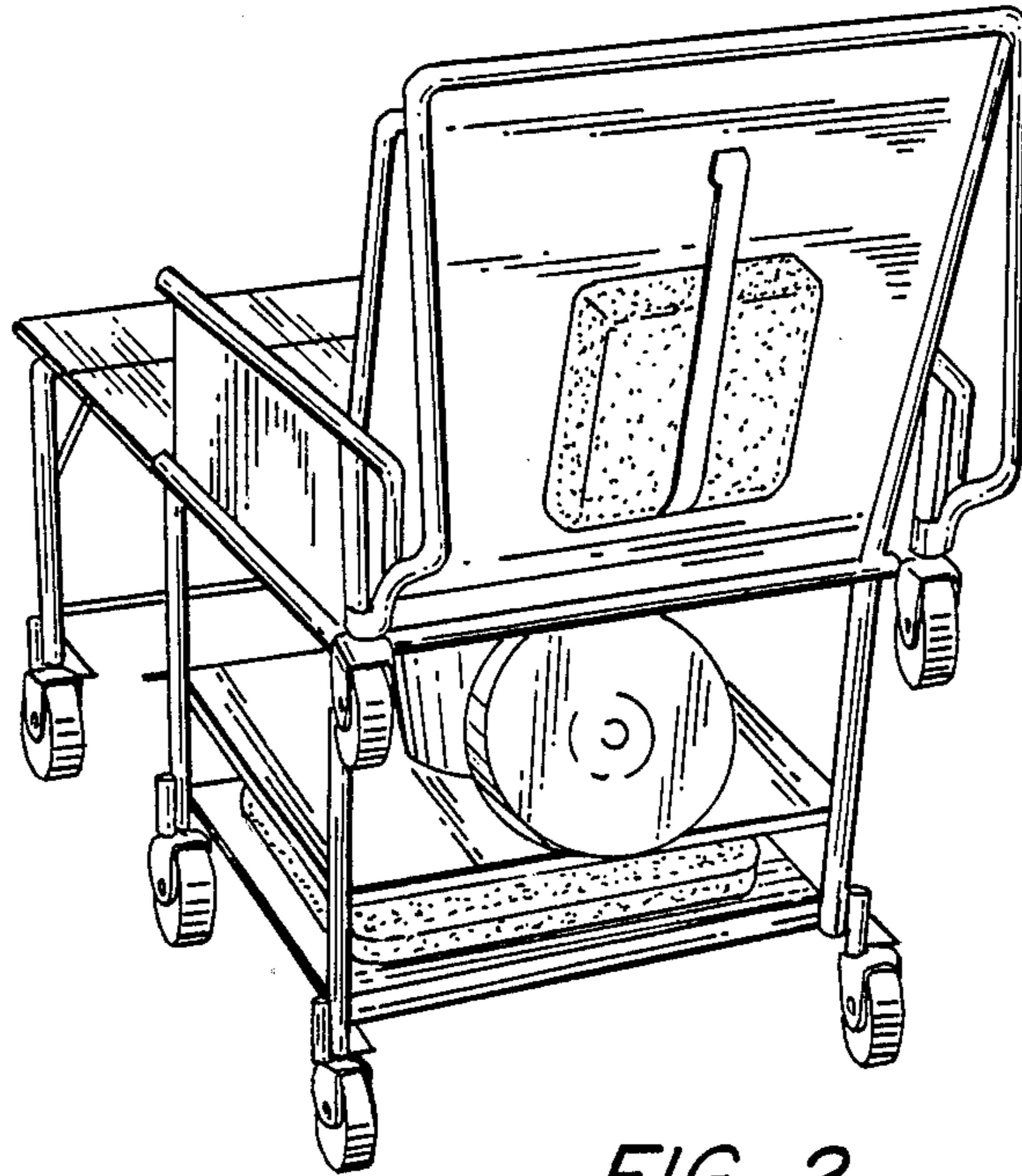


FIG. 2

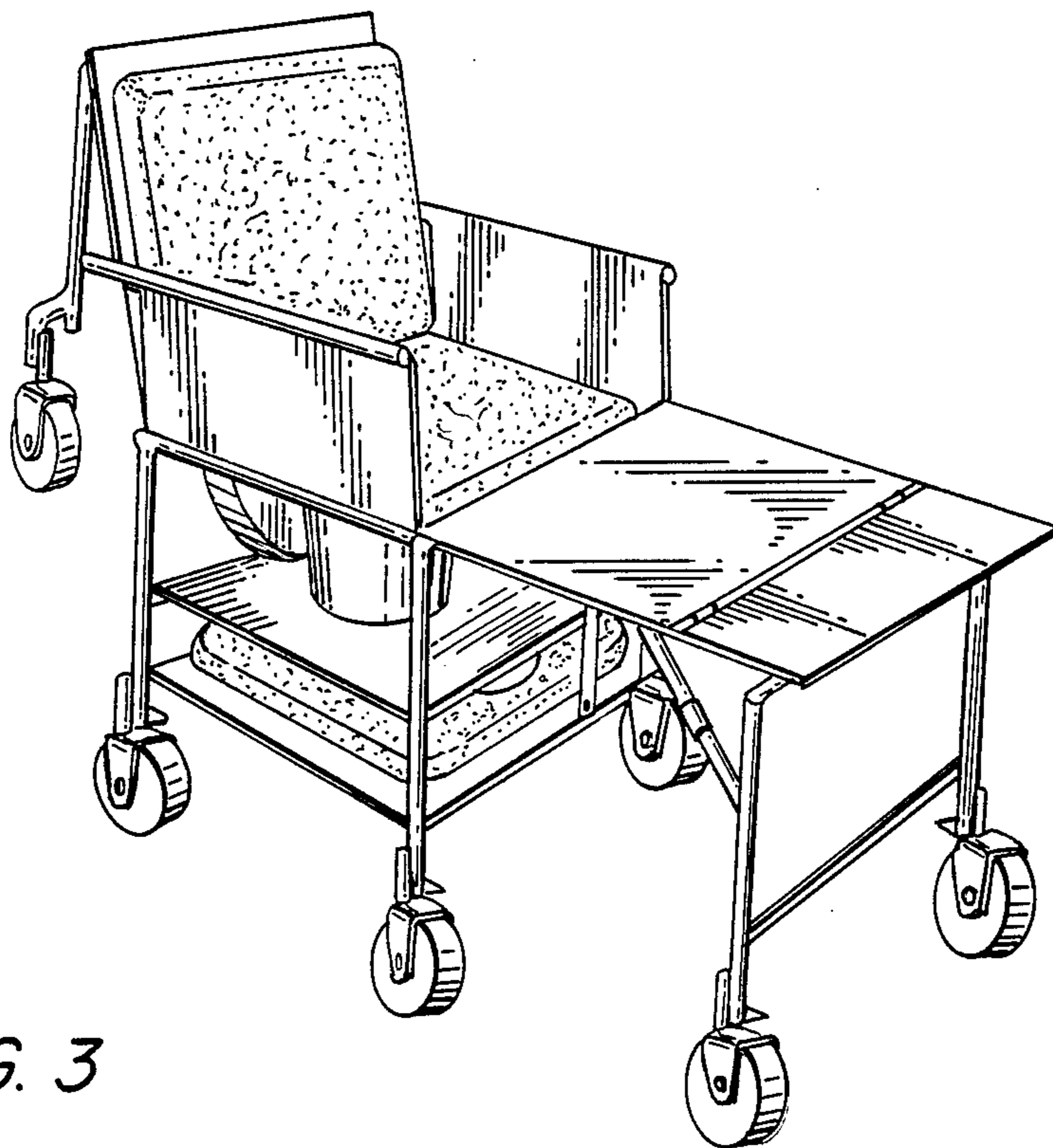


FIG. 3

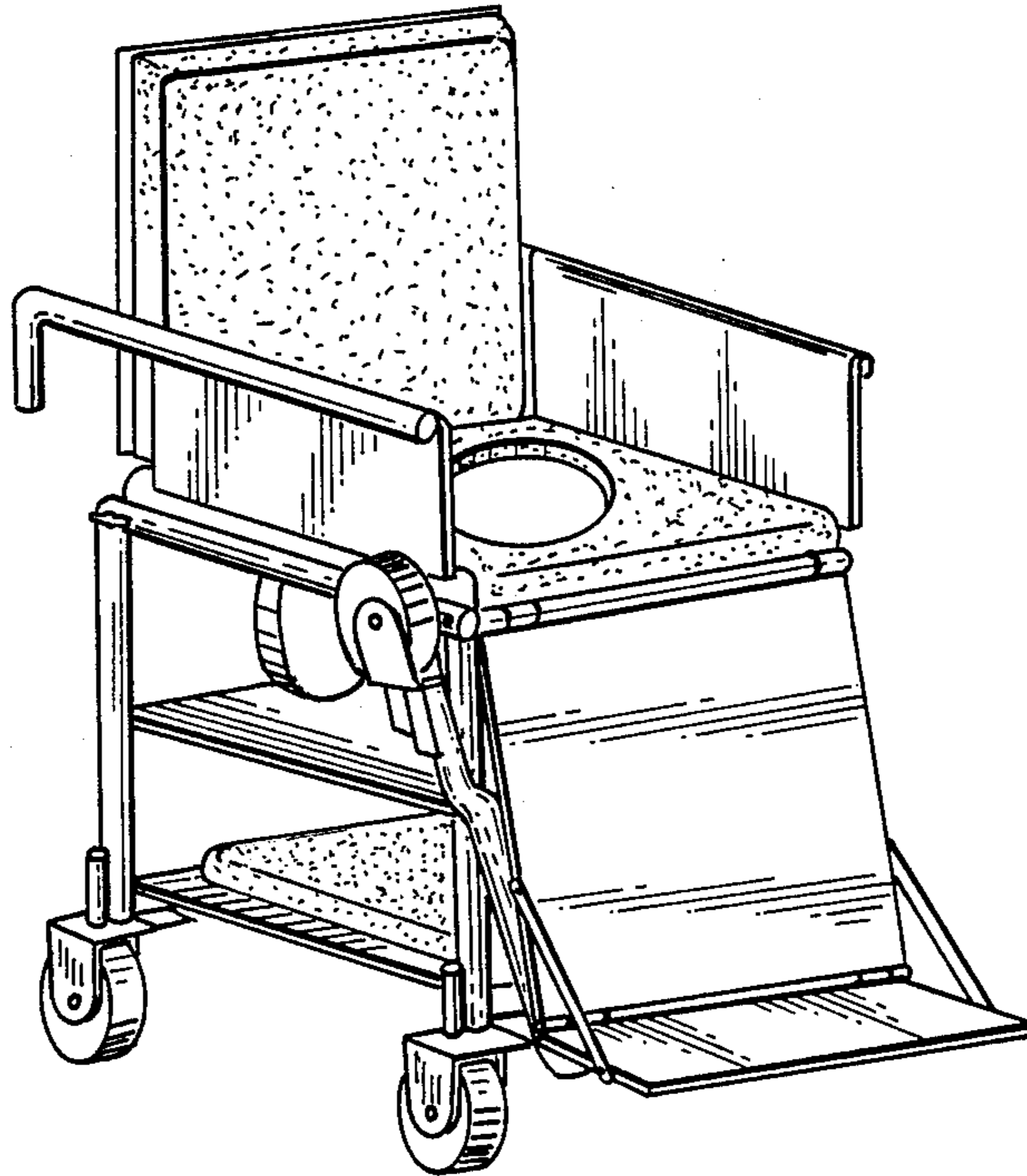


FIG. 5