

[54] RECUMBENT BICYCLE FRAME AND FORK

[76] Inventor: Timothy E. Brummer, 1308 W. Willow, Lompoc, Calif. 93436

[**] Term: 14 Years

[21] Appl. No.: 938

[22] Filed: Jan. 2, 1987

[52] U.S. Cl. D12/111

[58] Field of Search D12/111; 280/261, 270, 280/274, 281 R, 281 LP, 281 W

[56] References Cited

U.S. PATENT DOCUMENTS

- D. 236,803 9/1975 Ennis D12/111
- D. 278,324 4/1985 Breen D12/111

OTHER PUBLICATIONS

Bike Nashbar Winter 1982 catalog, p. 41, Recumbent Bicycle, bottom right side of page.

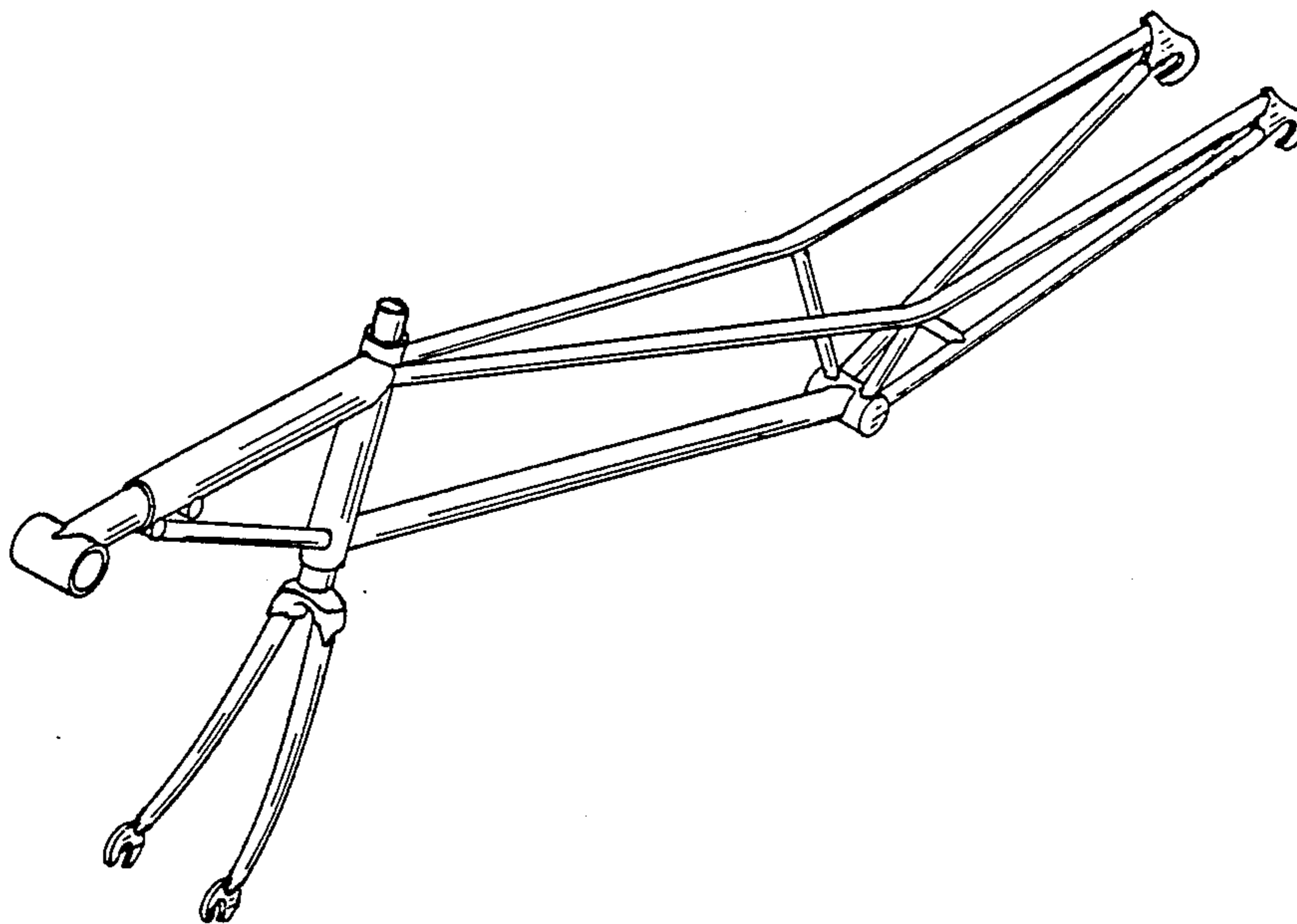
Primary Examiner—James M. Gandy

[57] CLAIM

The ornamental design for a recumbent bicycle frame and fork, as shown.

DESCRIPTION

FIG. 1 is an oblique perspective view of a recumbent bicycle frame and fork showing my new design; FIG. 2 is a side elevation view thereof the opposite side being a mirror image of that shown; and FIG. 3 is a top plan view thereof.



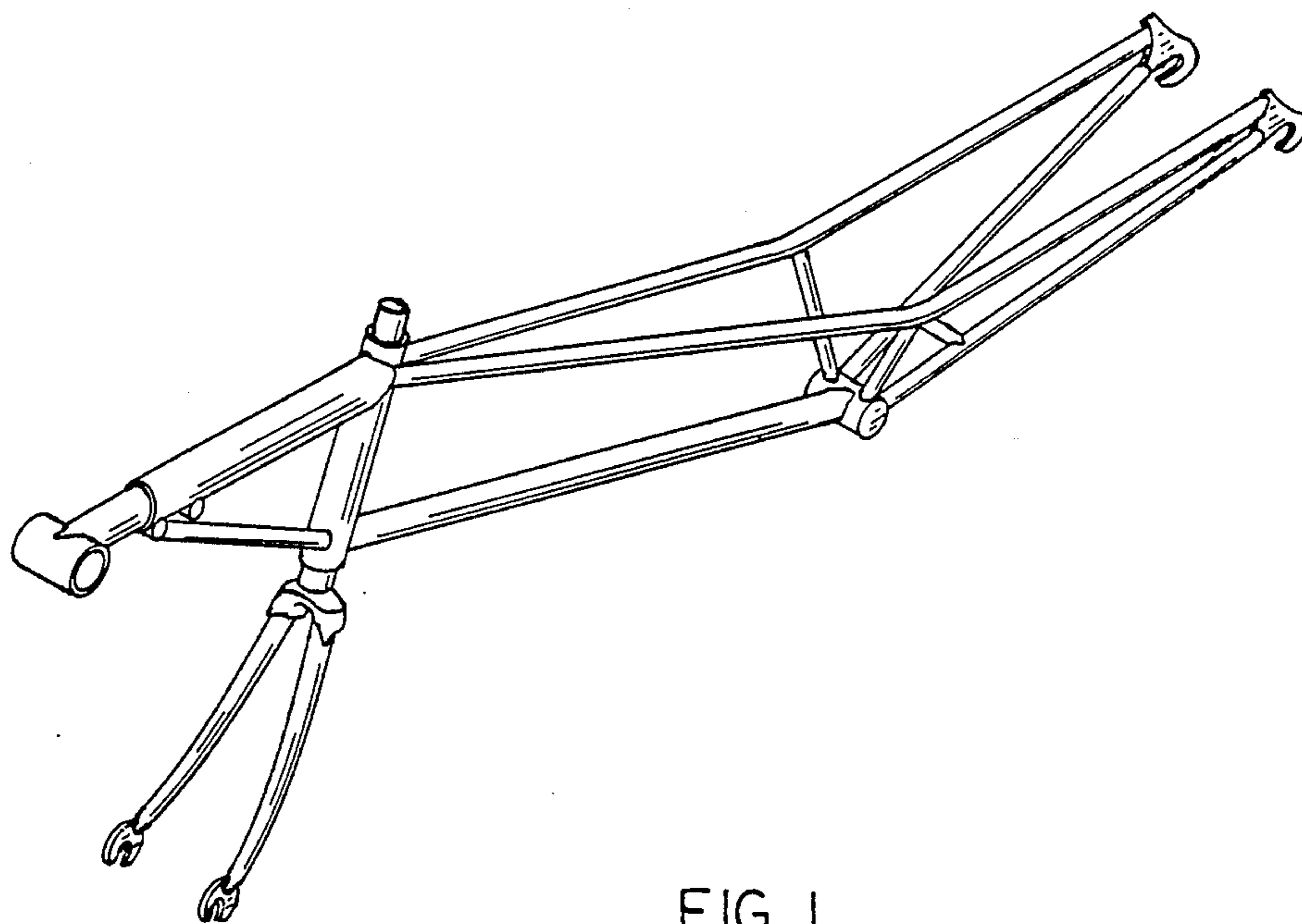


FIG 1

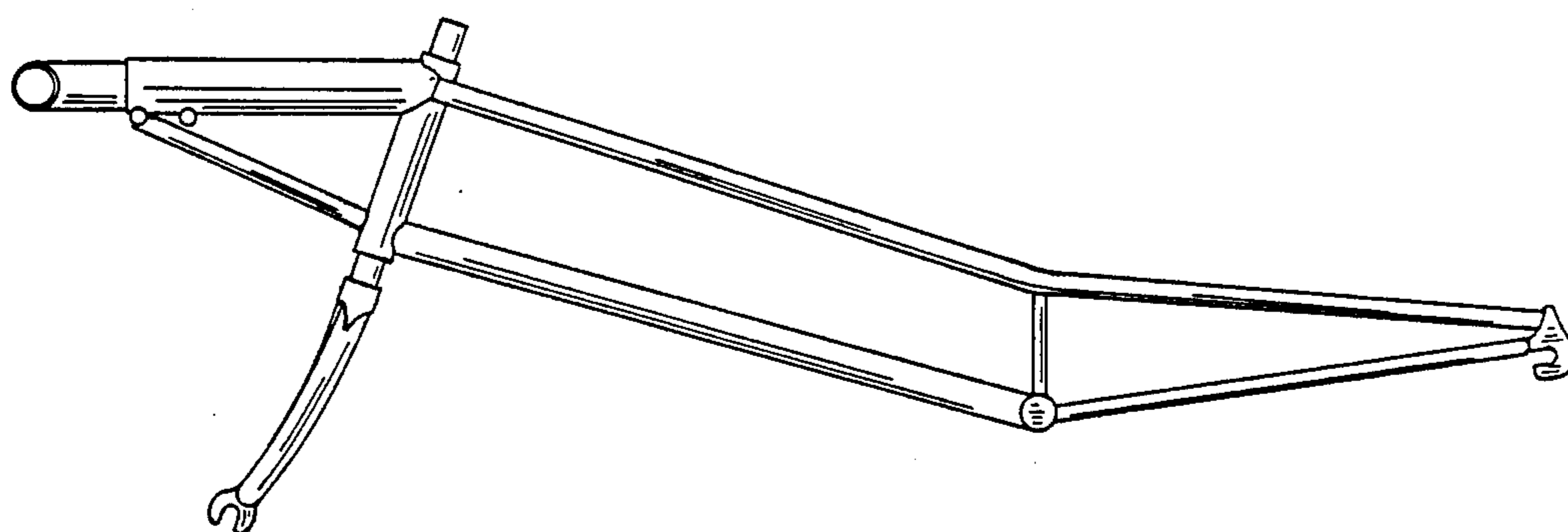


FIG 2

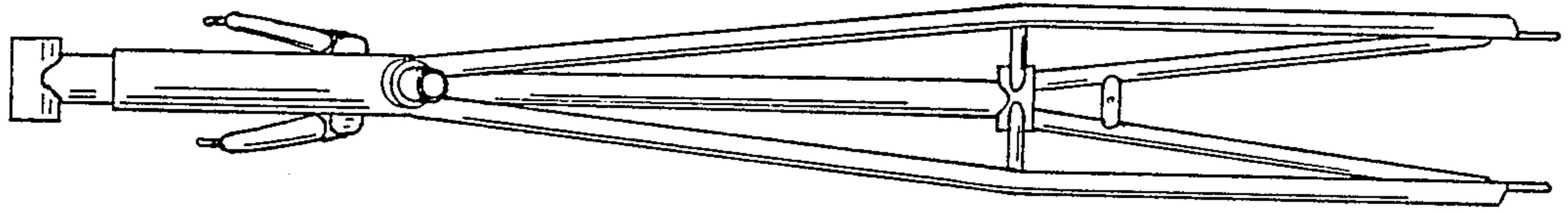


FIG 3