

[54] UTILITY HAULING TRUCK

[75] Inventor: Merlin E. Simon, Cascade, Iowa

[73] Assignee: Deere & Company, Moline, Ill.

[**] Term: 14 Years

[21] Appl. No.: 857,557

[22] Filed: Apr. 21, 1986

[52] U.S. Cl. D12/15; D12/85; D12/110

[58] Field of Search D12/1, 15, 85, 110; 180/22, 215; 280/202

[56] References Cited

U.S. PATENT DOCUMENTS

D. 197,708	3/1964	Stith	D12/15
D. 292,899	11/1987	Samuelson et al.	D12/15
3,924,706	12/1975	Figura	180/215
4,664,208	5/1987	Horiuchi et al.	180/22

OTHER PUBLICATIONS

Modern Materials Handling, Feb. 1962, p. 109, Cushman Trucksters.

Primary Examiner—Wallace R. Burke

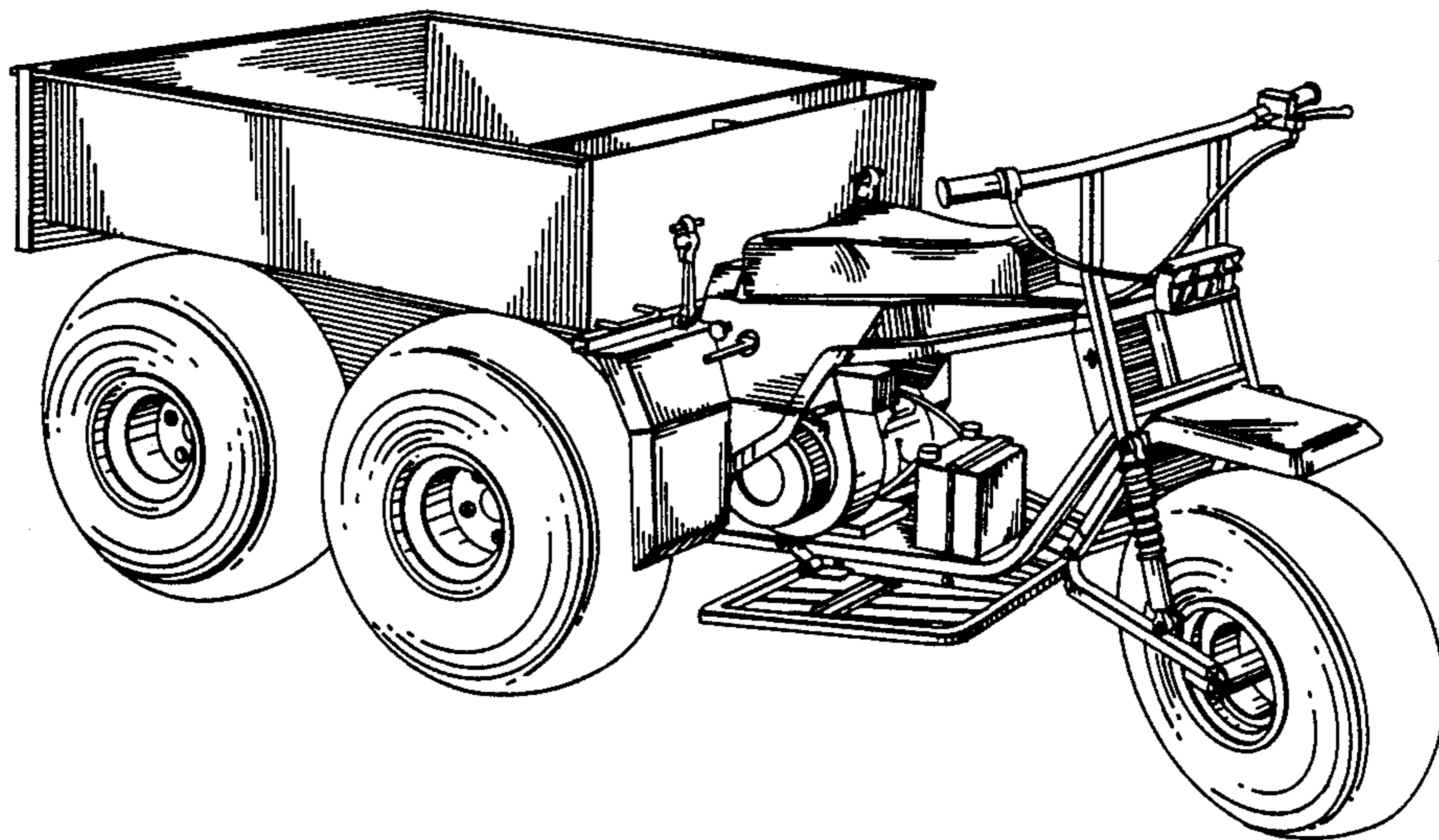
Assistant Examiner—Kay H. Chin

[57] CLAIM

The ornamental design for a utility hauling truck, as shown and described.

DESCRIPTION

FIG. 1 is a front perspective view of a utility hauling truck showing my new design;
 FIG. 2 is a top plan view thereof;
 FIG. 3 is a left side elevational view thereof;
 FIG. 4 is a rear elevational view thereof;
 FIG. 5 is a bottom plan view thereof;
 FIG. 6 is a right side elevational view thereof; and
 FIG. 7 is a front elevational view thereof.



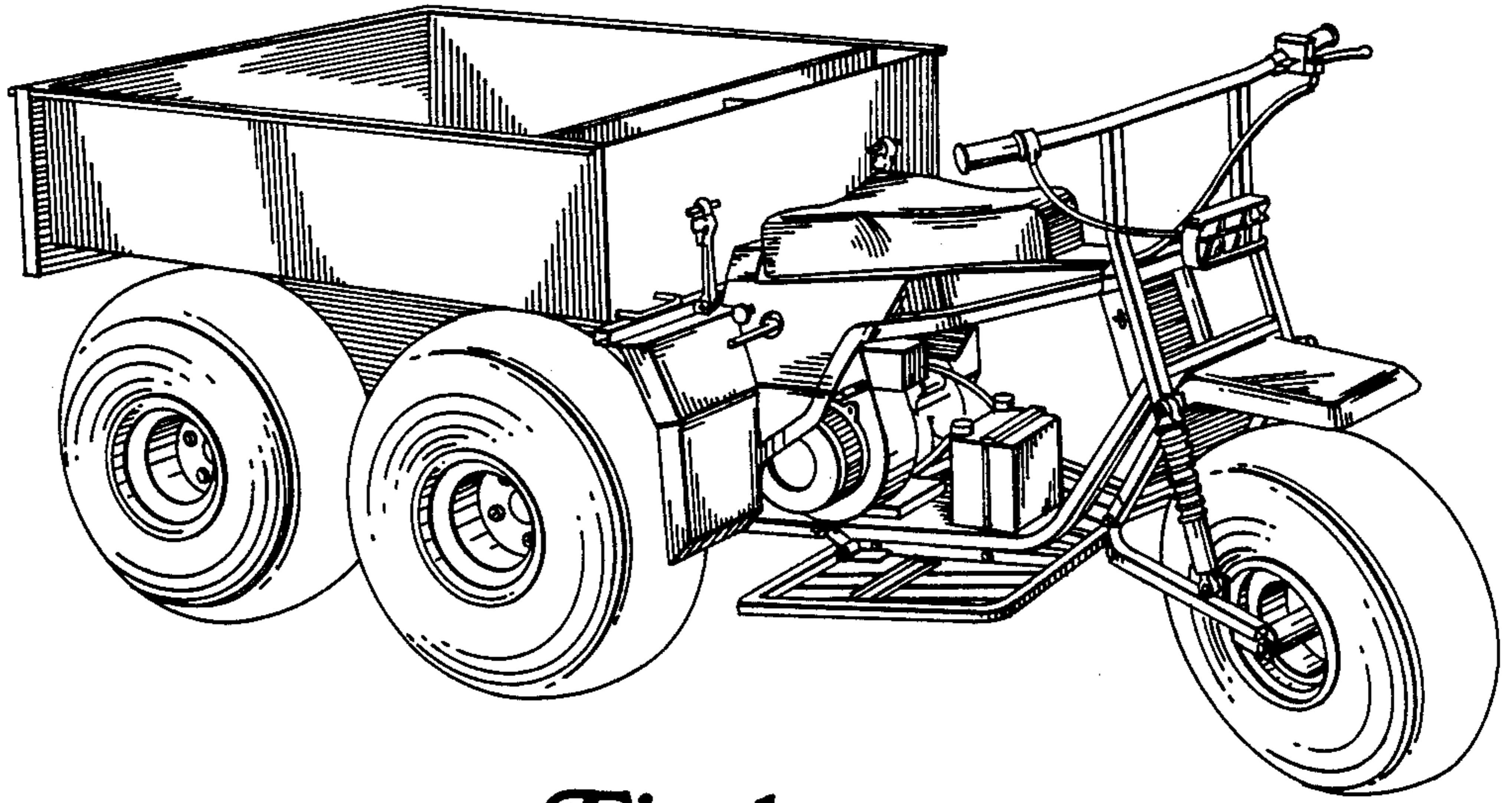


Fig. 1

Fig. 2

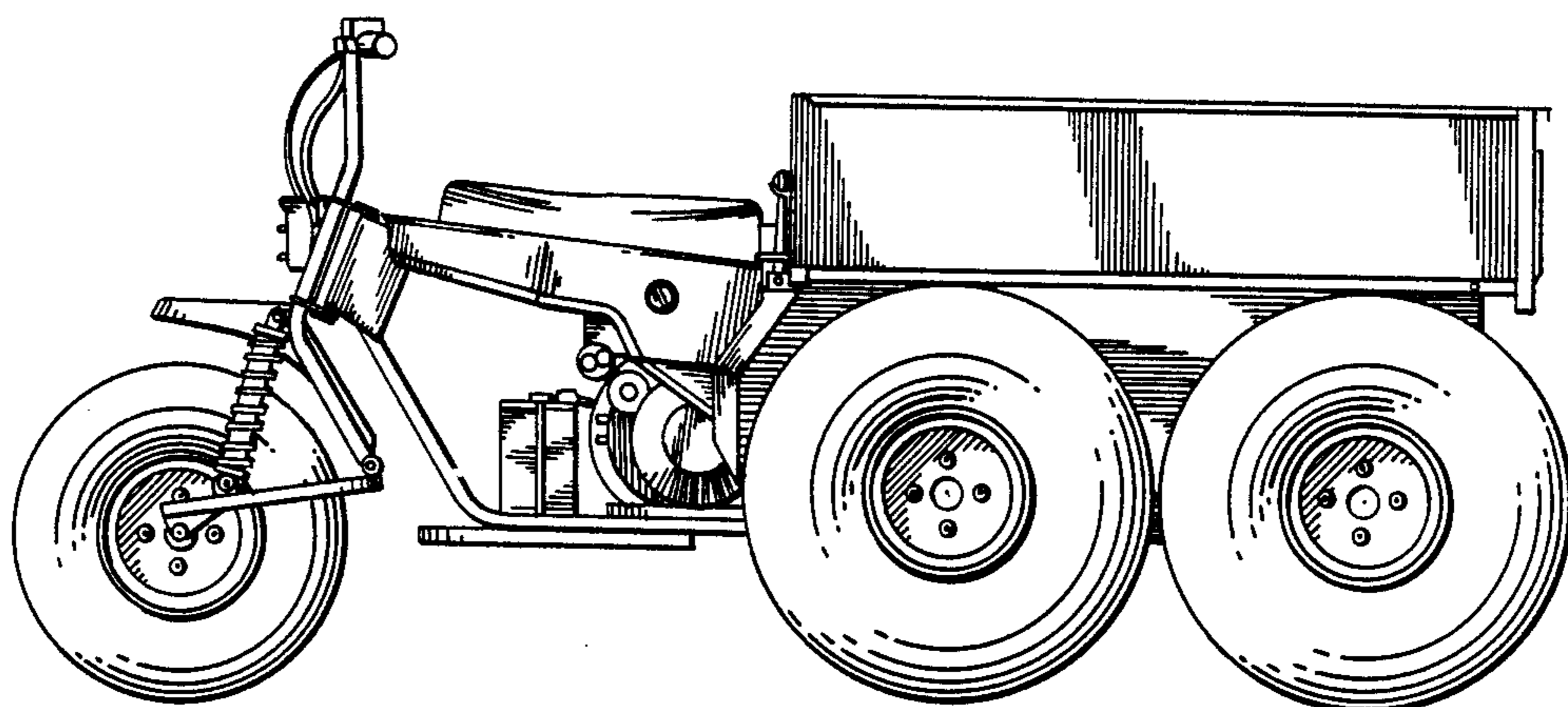
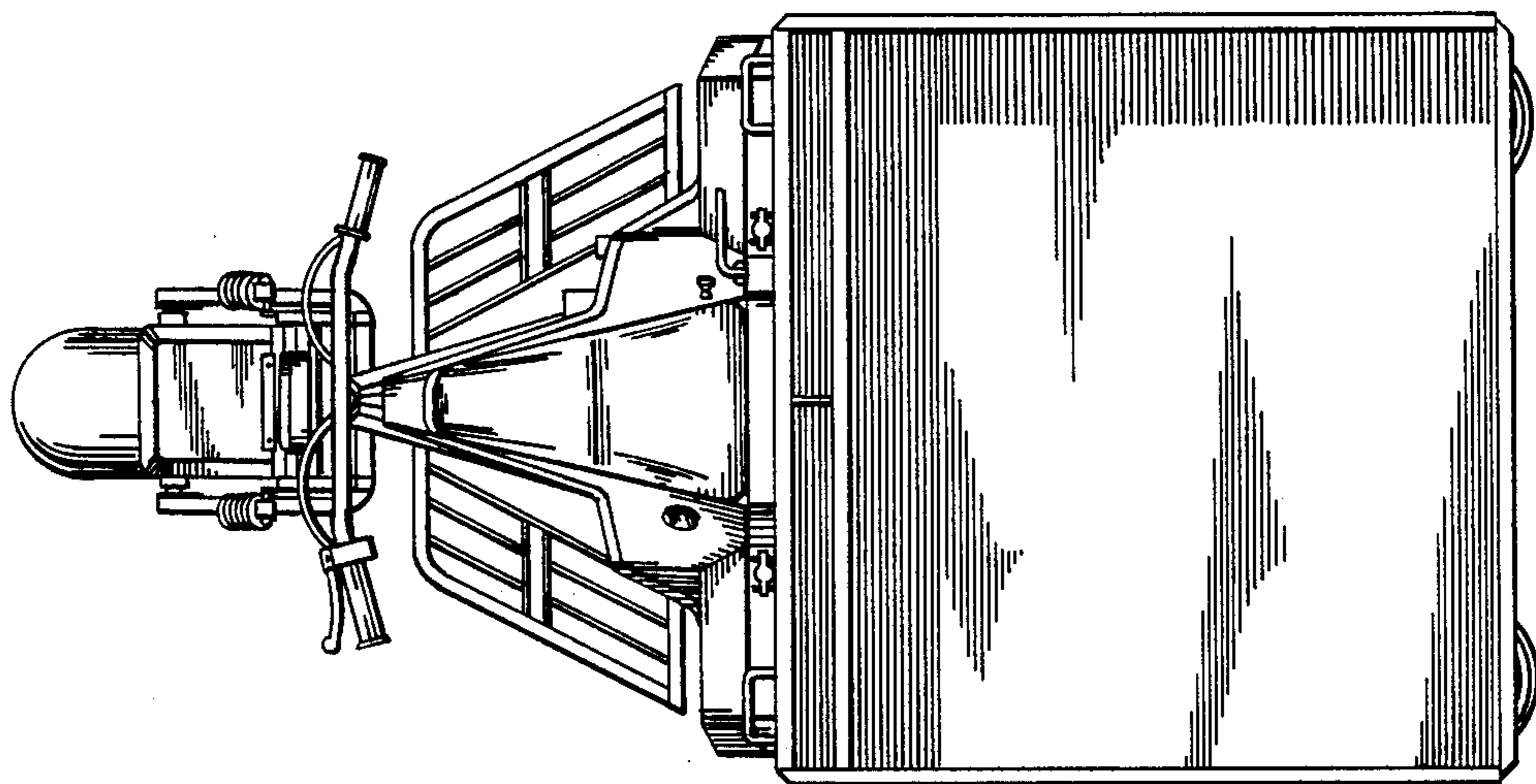


Fig. 3

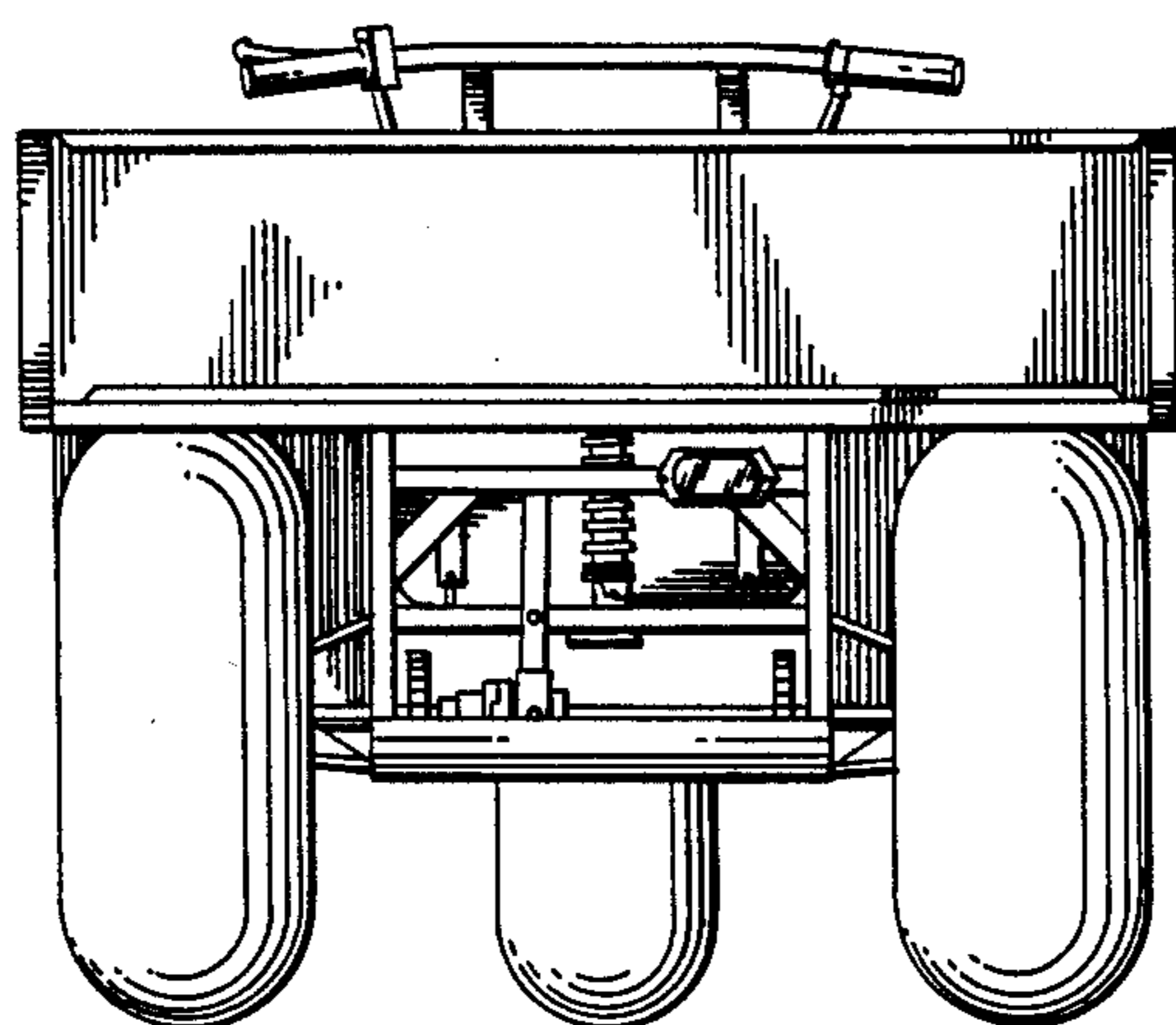


Fig. 4

Fig. 5

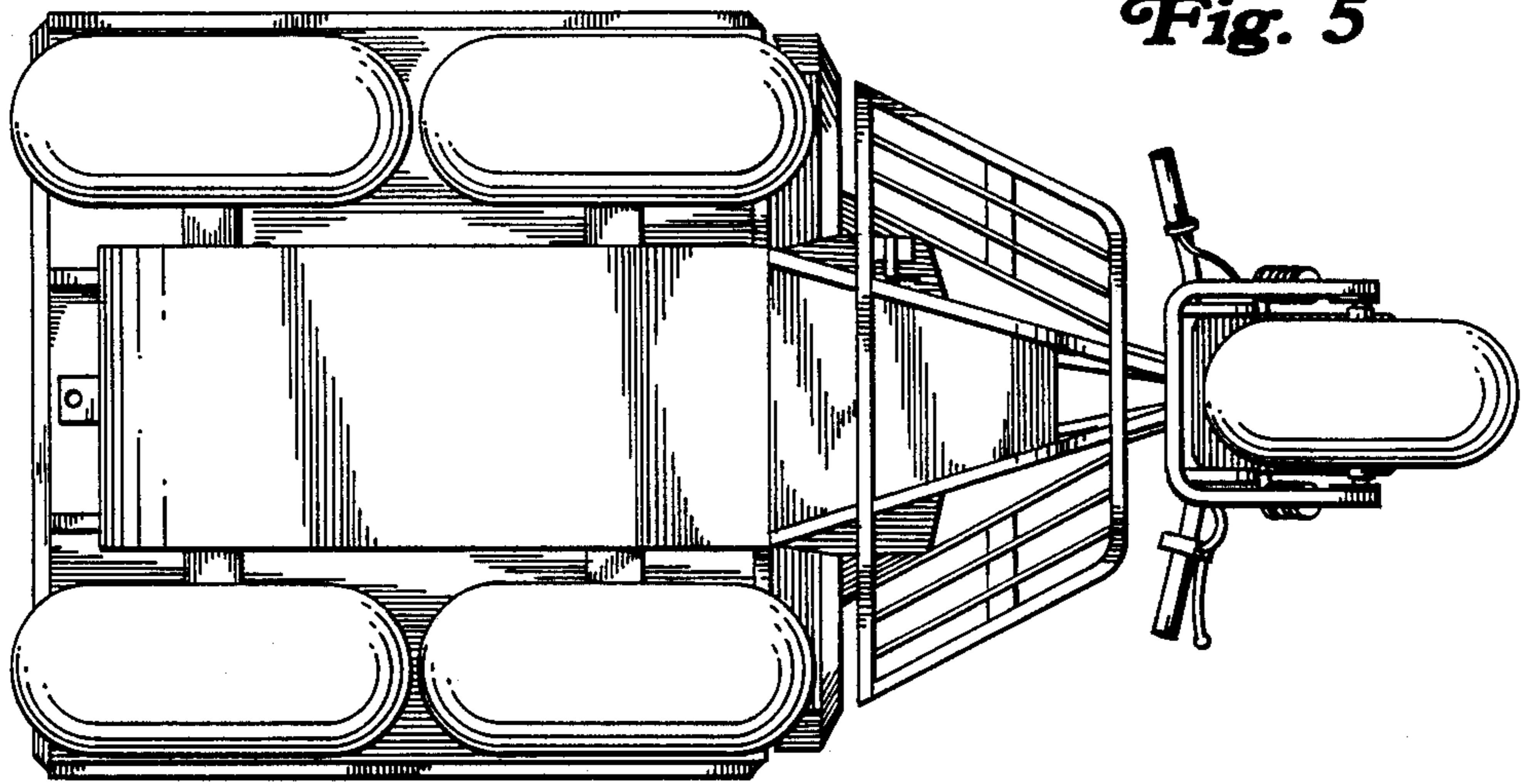


Fig. 6

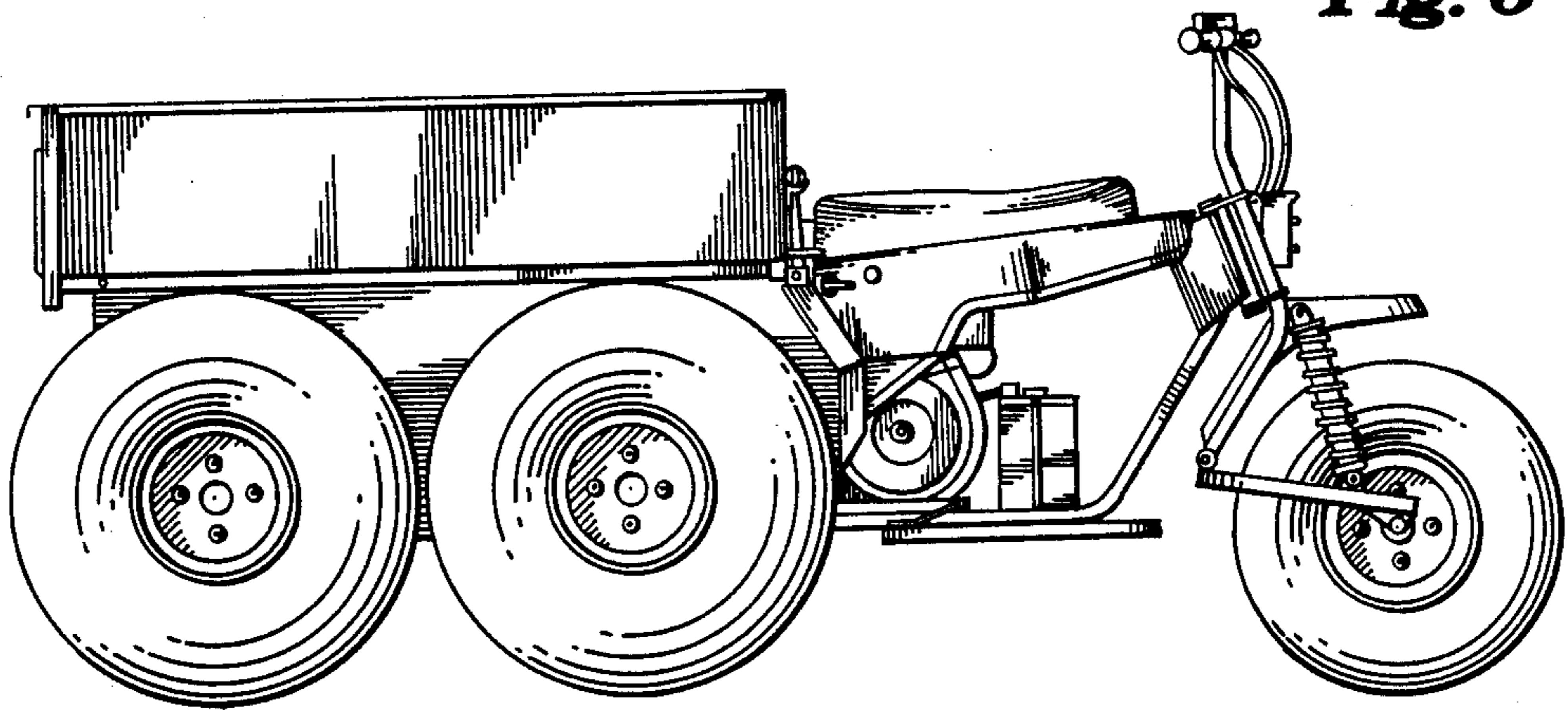


Fig. 7

