

United States Patent [19]

Bakic

[11] Patent Number: Des. 301,124

[45] Date of Patent: ** May 16, 1989

[54] COSMETIC CASE

[75] Inventor: **Karena Bakic**, Munich, Fed. Rep. of Germany

[73] Assignee: **Cosmede Anstalt**, Vaduz, Liechtenstein

[**] Term: **14 Years**

[21] Appl. No.: **841,117**

[22] Filed: **Mar. 3, 1986**

[52] U.S. Cl. **D28/83; D28/76**

[58] Field of Search **D28/4-7, D28/38, 62, 73-91.1; D3/39; 220/DIG. 26; 206/235, 581, 385, 823; 132/293, 294, 297, 305; D9/403, 413, 420, 423, 432**

[56] **References Cited**

U.S. PATENT DOCUMENTS

D. 241,176 8/1976 Kingsford D28/78
D. 262,151 12/1981 Sussman D28/83

D. 278,276 4/1985 Bakic D28/83
D. 281,826 12/1985 Bakic D28/83
D. 282,300 1/1986 Bakic D28/83
D. 282,690 2/1986 Le Grottaglie D28/83
D. 287,418 12/1986 Trabatonni D28/83

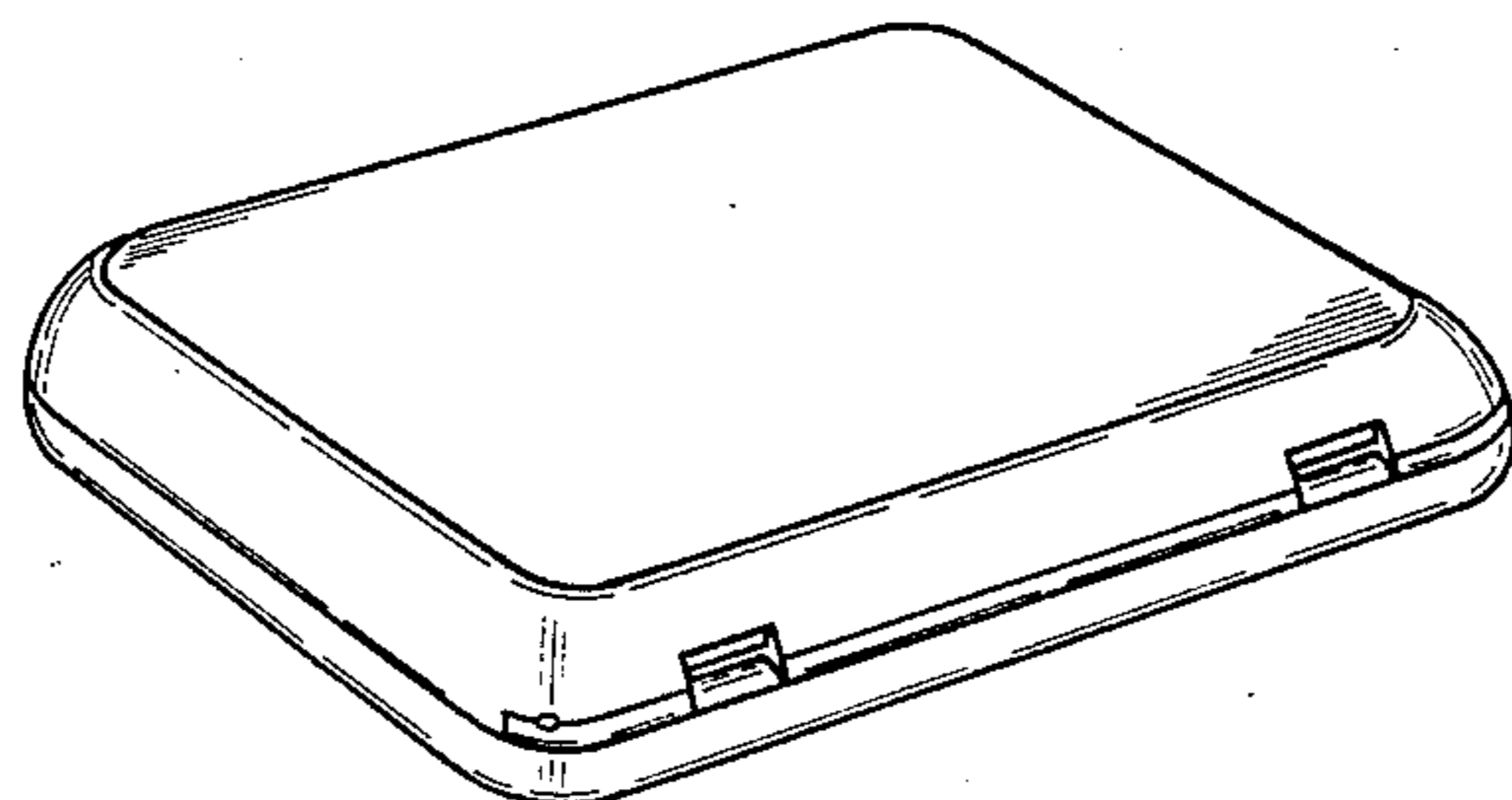
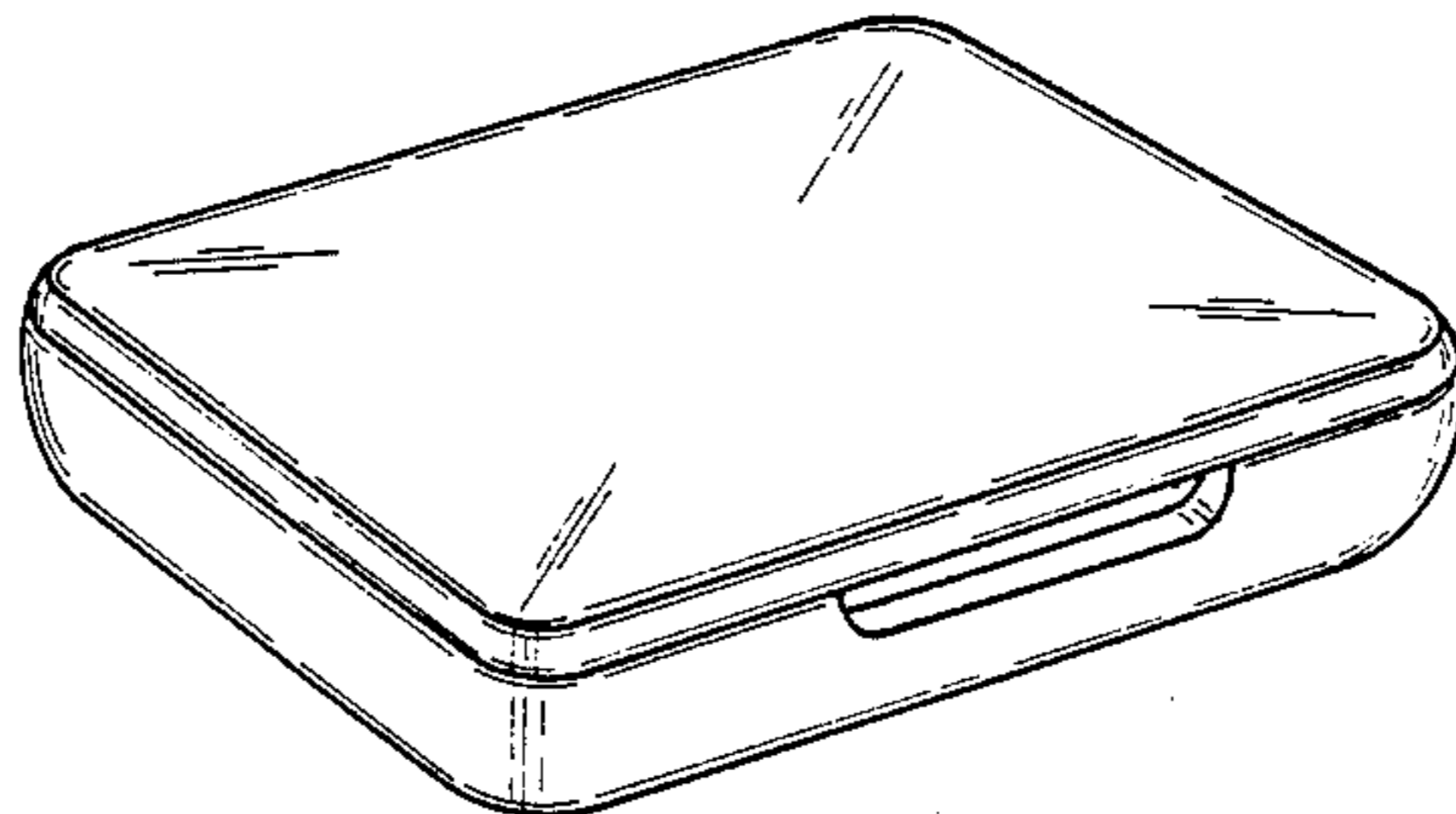
Primary Examiner—Louis S. Zarfaz
Attorney, Agent, or Firm—Bucknam and Archer

[57] **CLAIM**

The ornamental design for a cosmetic case, as shown and described.

DESCRIPTION

FIG. 1 is a top front perspective view of a cosmetic case showing my new design;
FIG. 2 is a bottom rear perspective view;
FIG. 3 is a front elevational view;
FIG. 4 is a left side elevational view;
FIG. 5 is a top plan view;
FIG. 6 is a rear elevational view;
FIG. 7 is a right side elevational view; and
FIG. 8 is a bottom plan view.



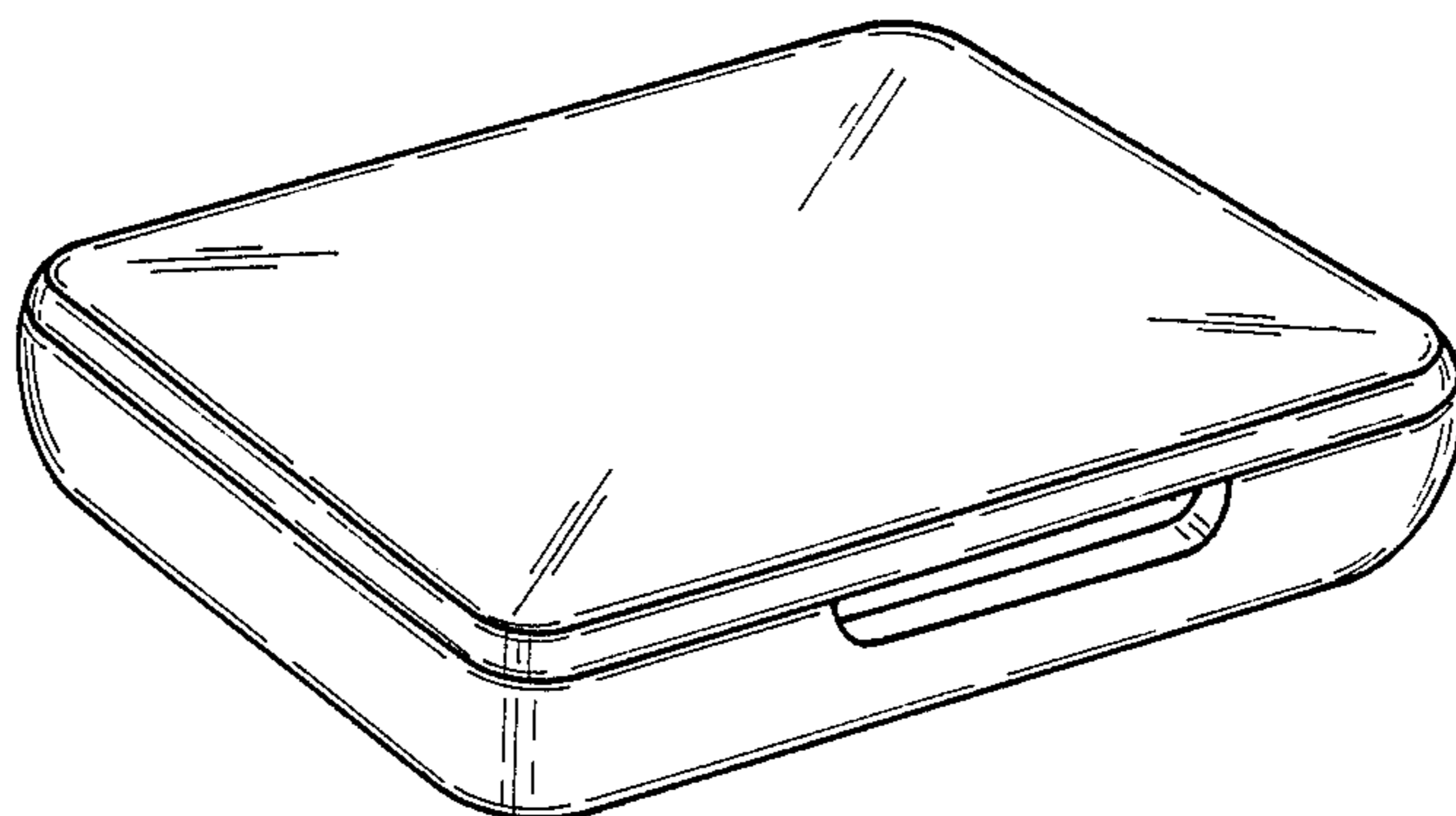


FIG. 1

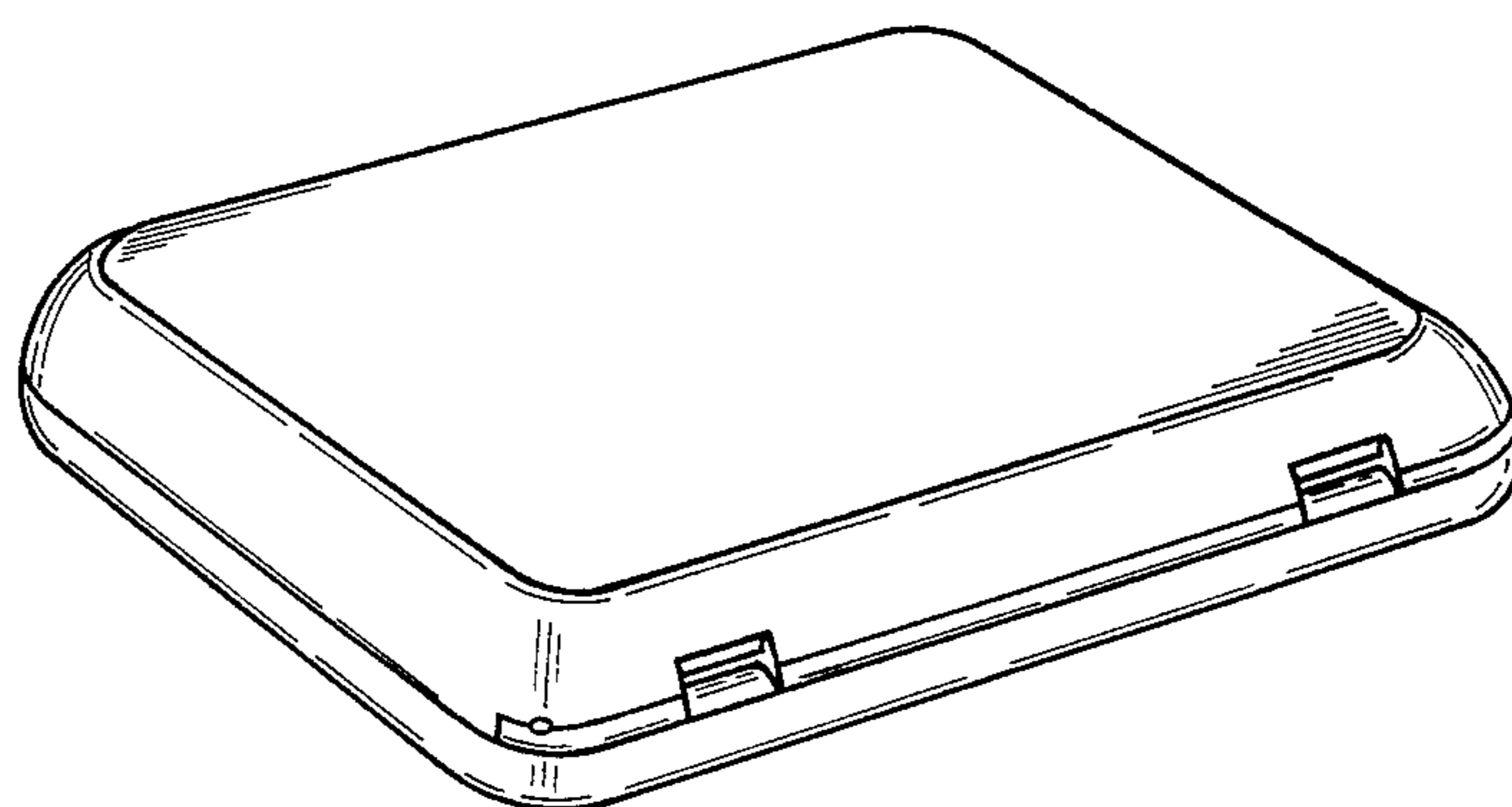


FIG. 2

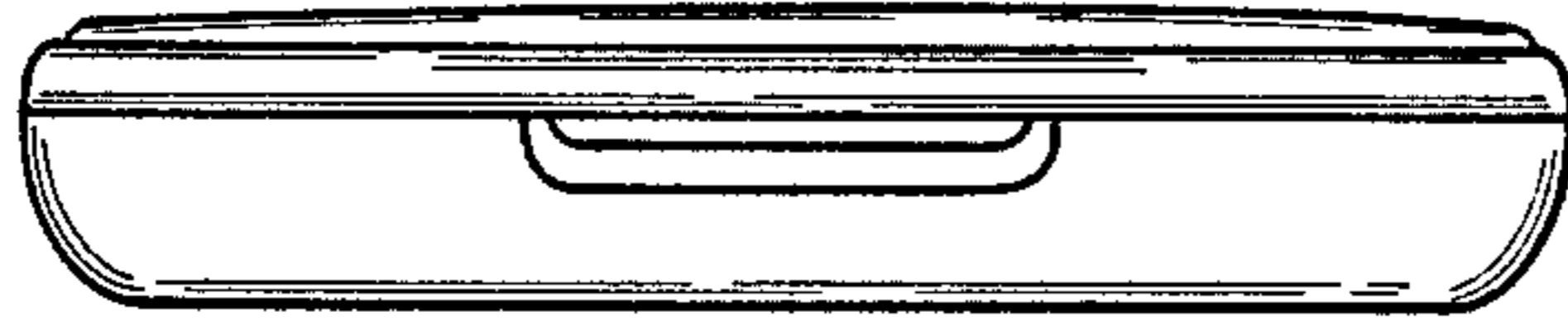


FIG. 3

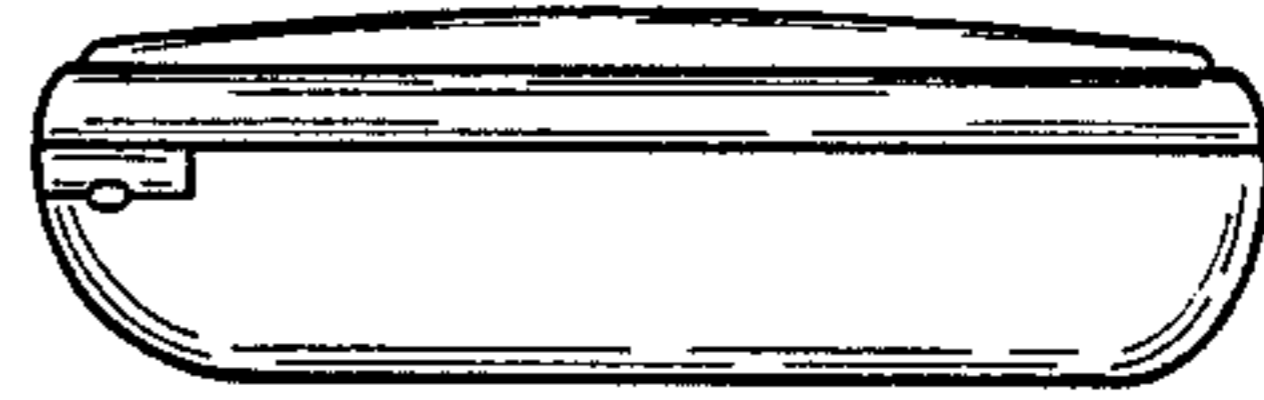


FIG. 4

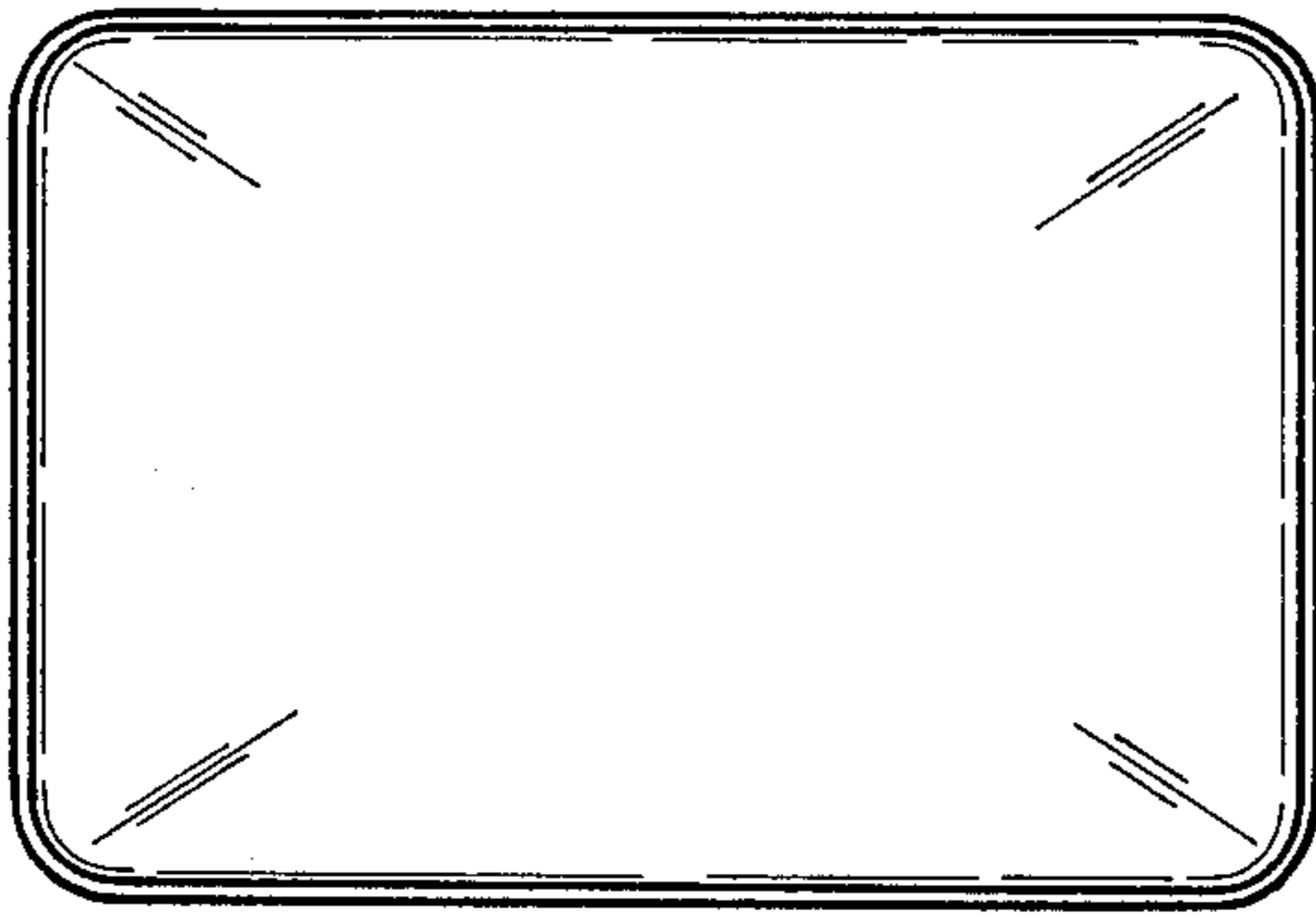


FIG. 5

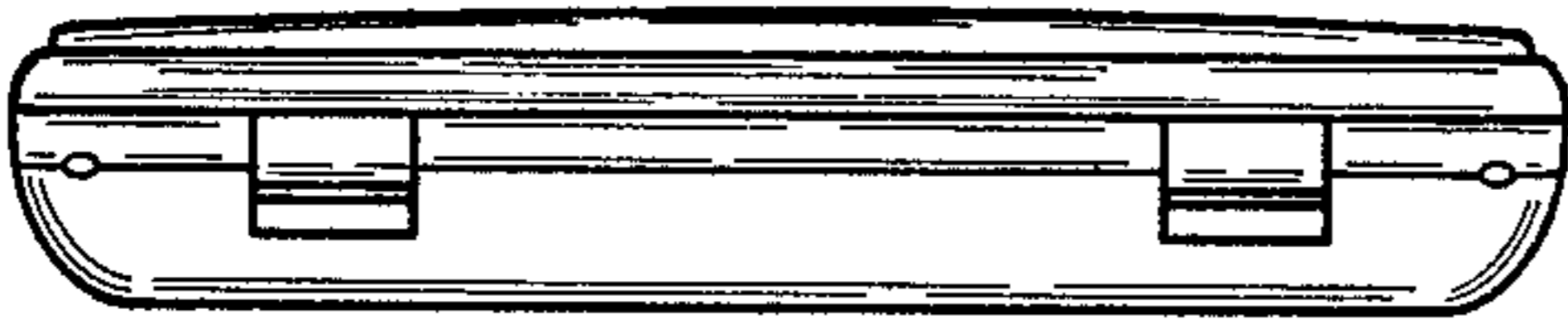


FIG. 6

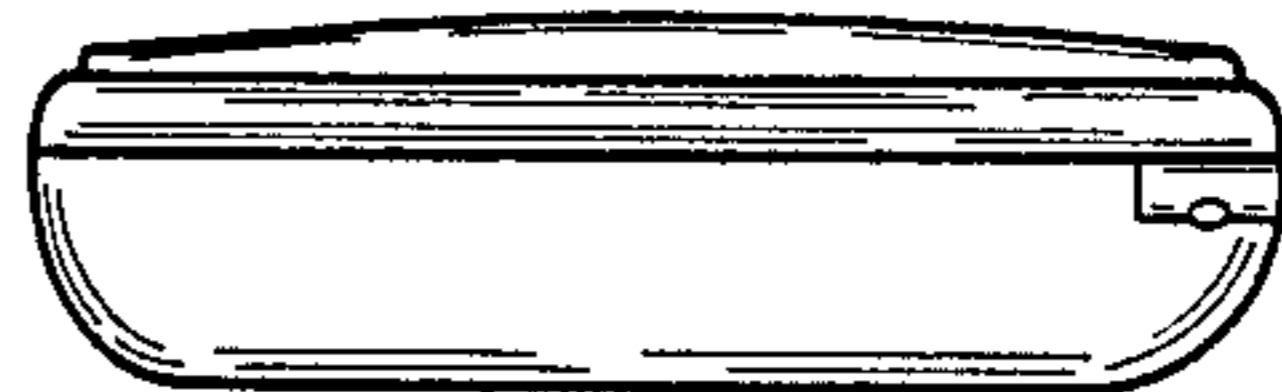


FIG. 7

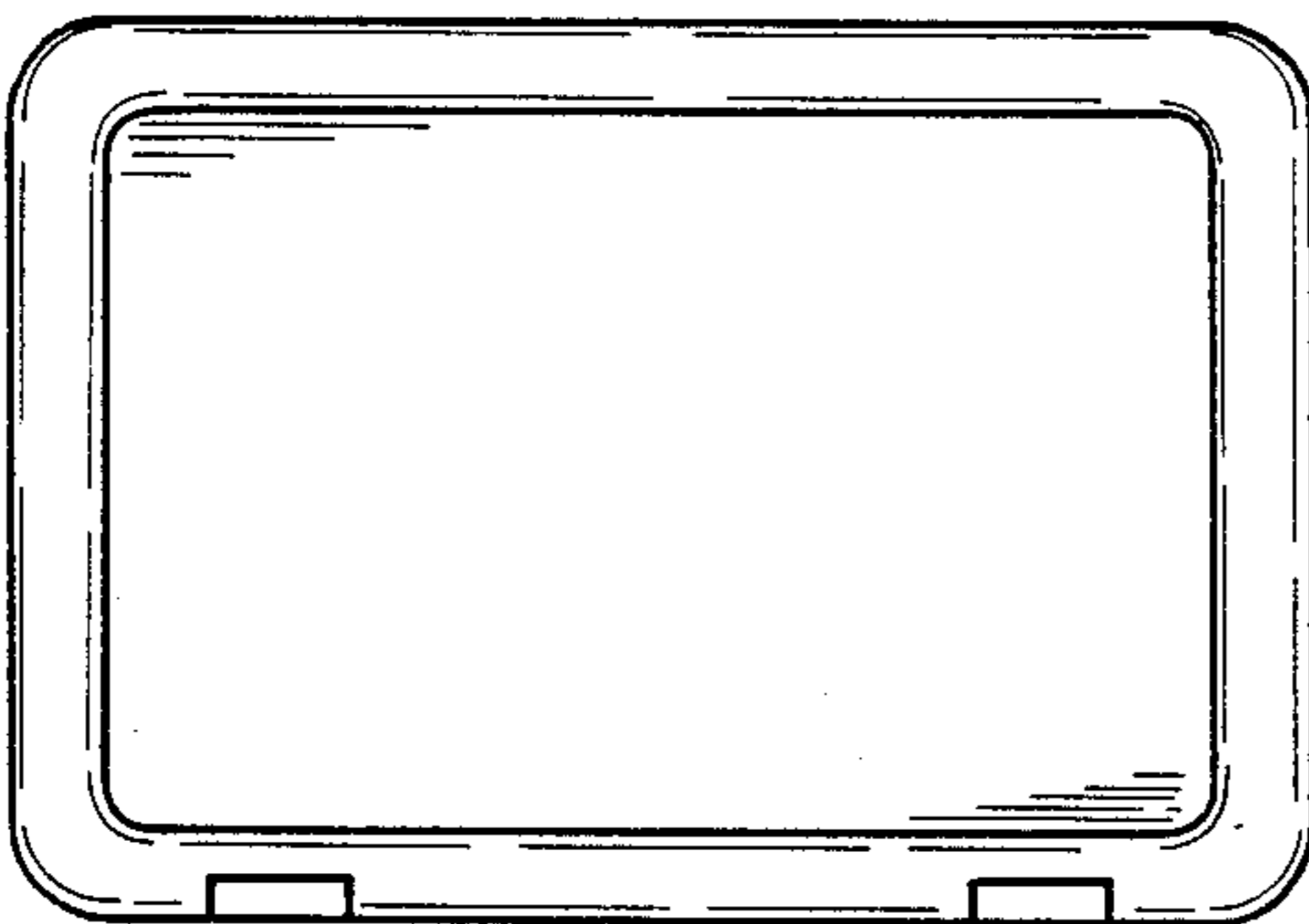


FIG. 8