

# United States Patent [19]

Alviti

[11] Patent Number: **Des. 301,120**

[45] Date of Patent: **\*\* May 16, 1989**

[54] **EARRING**

[75] Inventor: **Steven R. Alviti, Narragansett, R.I.**

[73] Assignee: **Bel Air Tool Corp., Warwick, R.I.**

[\*\*] Term: **14 Years**

[21] Appl. No.: **867,745**

[22] Filed: **May 27, 1986**

[52] U.S. Cl. .... **D11/2; D10/31;  
D11/75; D11/88**

[58] Field of Search ..... **D11/2, 40-44,  
D11/47, 75, 206, 86-88; D10/31; 63/1.1, 2,  
18-21, 23, 12-14.8; 368/278**

[56] **References Cited**

**U.S. PATENT DOCUMENTS**

D. 34,856 7/1901 Chase ..... **D11/75**

D. 186,818 12/1959 Gale ..... **D11/2 X**  
D. 295,501 5/1988 Brayford ..... **D10/3**  
2,000,127 5/1935 Desrosiers ..... **D11/206 X**  
4,615,185 10/1986 Bollinger ..... **D11/87**

*Primary Examiner*—Louis S. Zarfes  
*Attorney, Agent, or Firm*—Salter & Michaelson

[57] **CLAIM**

The ornamental design for a earring, as shown.

**DESCRIPTION**

FIG. 1 is a perspective view of an earring showing my new design;

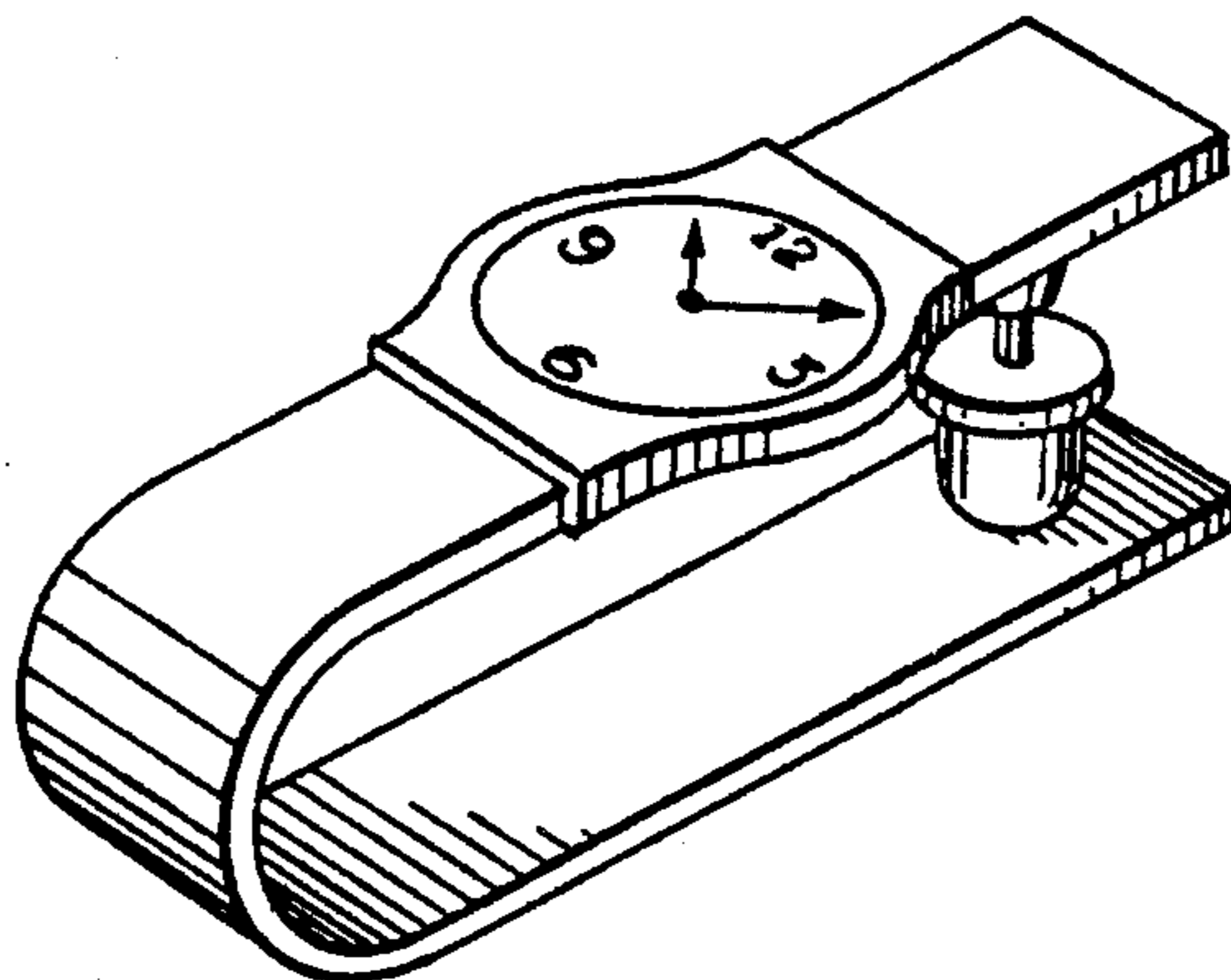
FIG. 2 is a side elevational view thereof;

FIG. 3 is a first end elevational view thereof;

FIG. 4 is a top plan view thereof;

FIG. 5 is a second end elevational view thereof; and

FIG. 6 is a bottom plan view thereof.



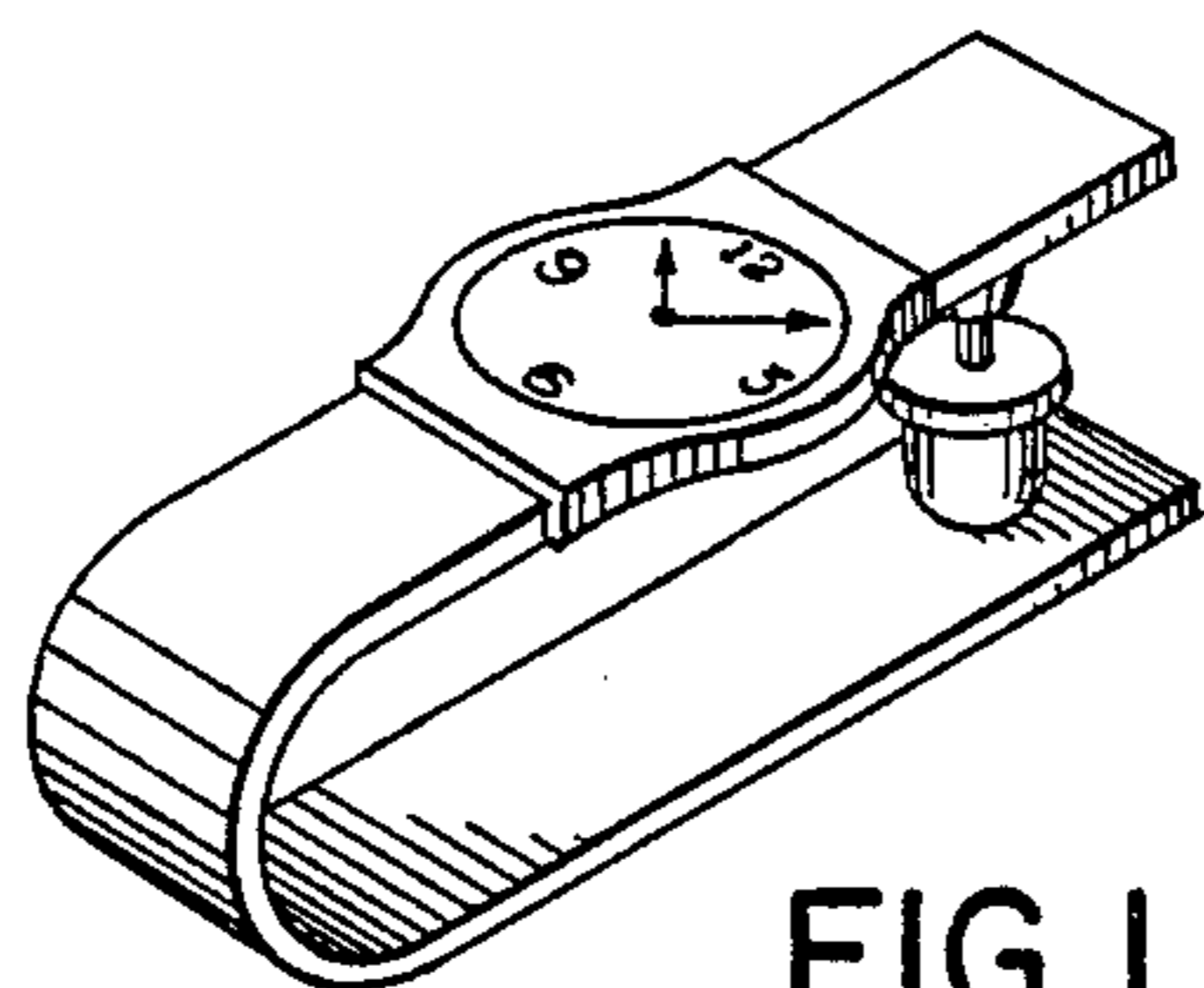


FIG. 1

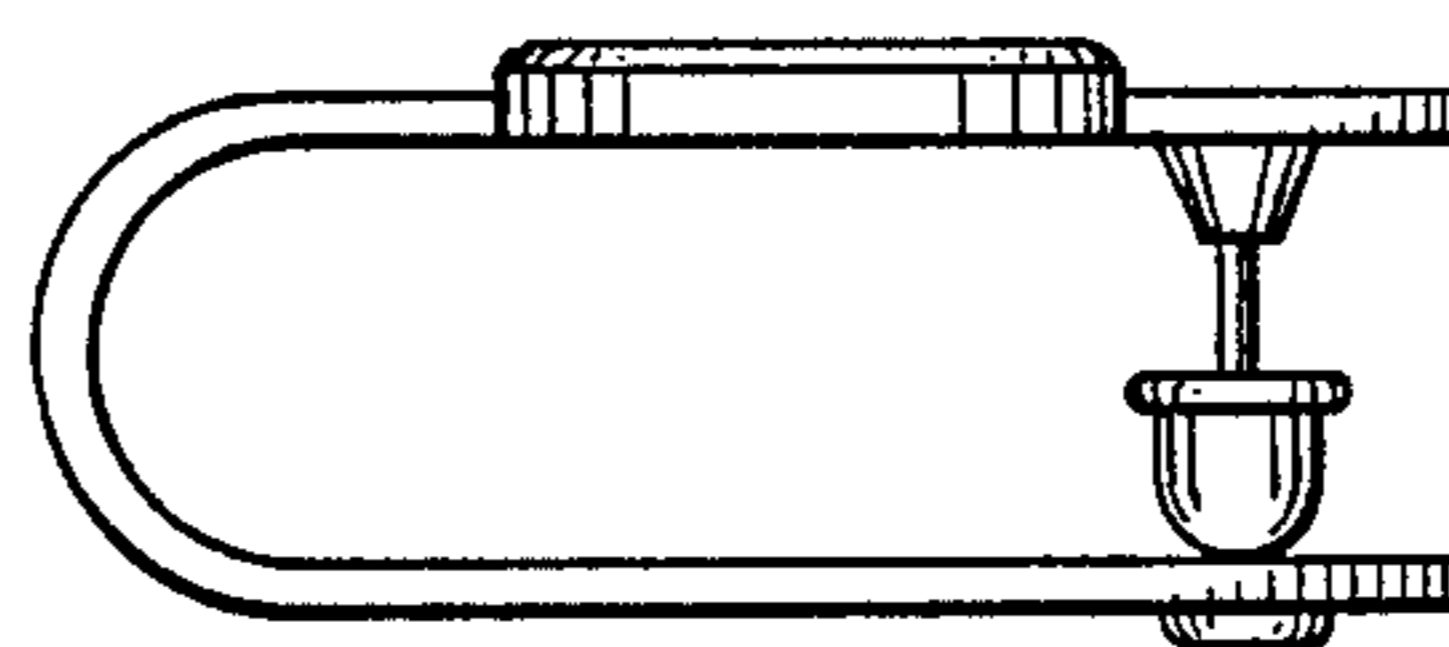


FIG. 2

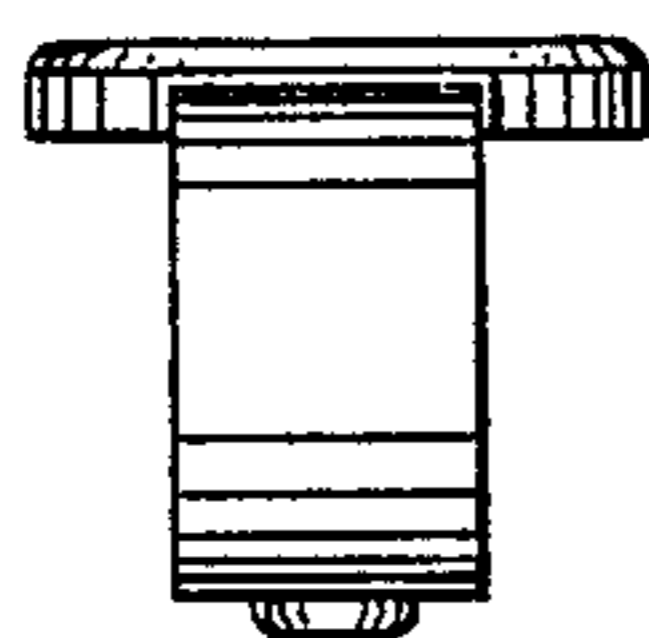


FIG. 3

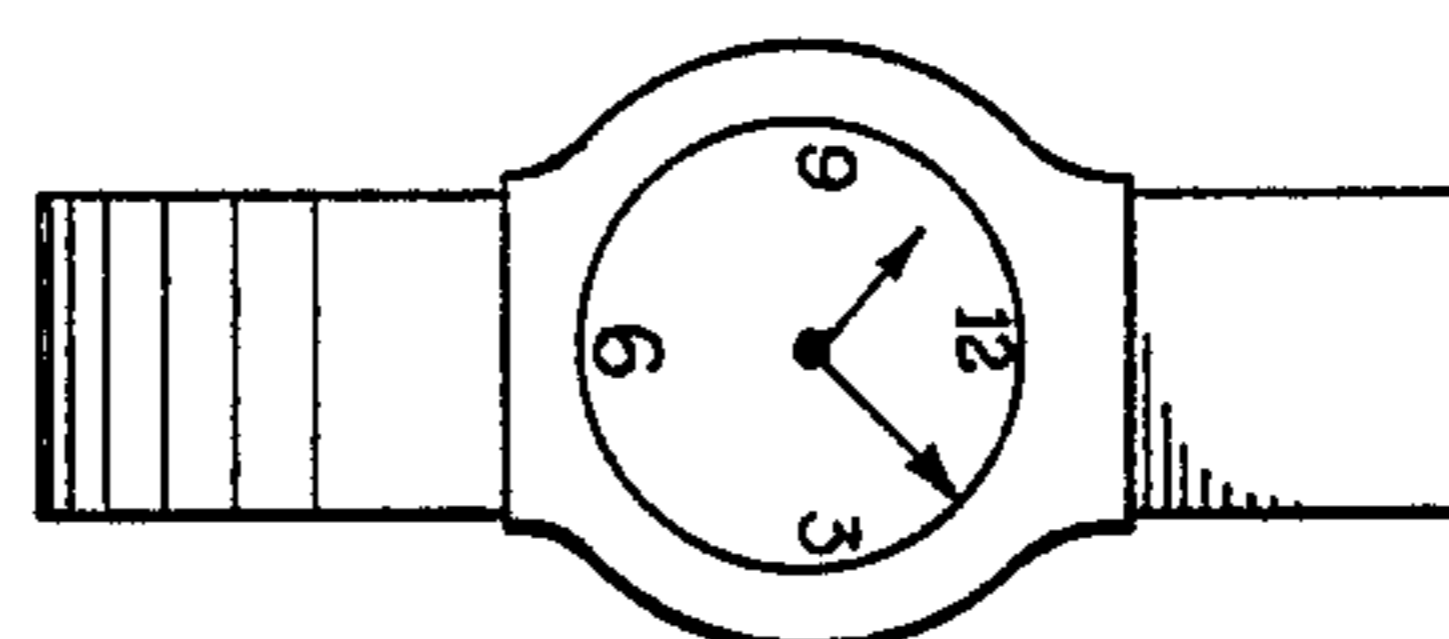


FIG. 4

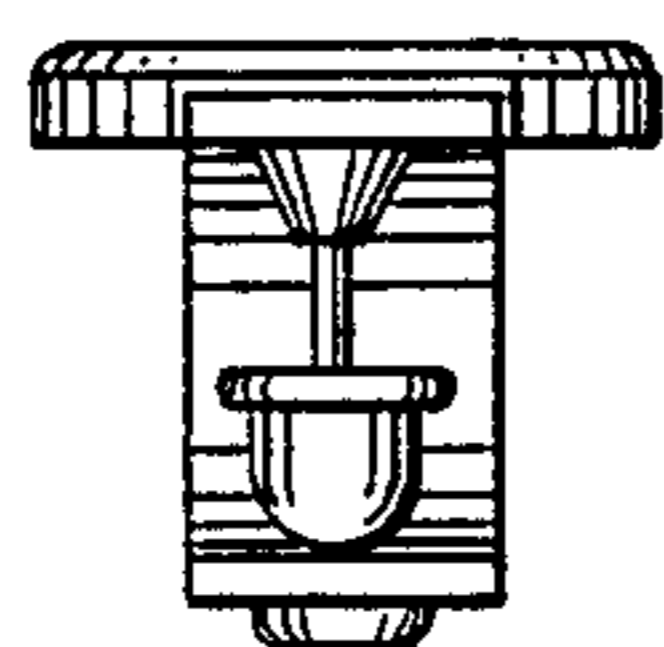


FIG. 5

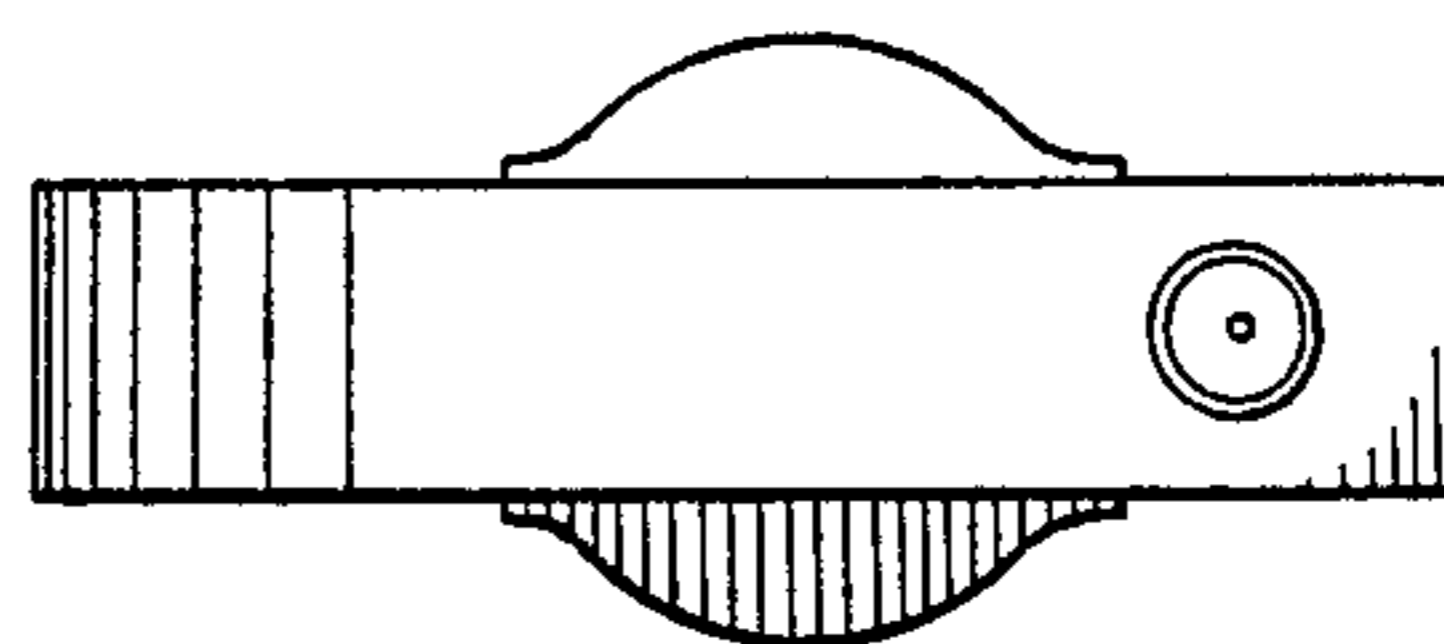


FIG. 6