

[54] SAMPLE VIAL PLUG

[75] Inventor: James A. Baxter, London, England

[73] Assignee: Chromacol Limited, London, England

[**] Term: 14 Years

[21] Appl. No.: 805,763

[22] Filed: Nov. 19, 1985

[30] Foreign Application Priority Data

May 31, 1985 [GB] United Kingdom 1027114

[52] U.S. Cl. D9/439; D9/453; D24/29

[58] Field of Search D9/439, 440, 453; D24/22, 29, 8; 215/356-362; D23/260

[56] References Cited

U.S. PATENT DOCUMENTS

- D. 96,766 9/1935 Kronman D9/453
- D. 125,898 3/1941 Lorenzen D9/439
- D. 176,644 1/1956 Terwilliger D9/439
- D. 280,080 8/1985 Miskinis D9/439

- D. 289,378 4/1987 Miskinis D9/439
- D. 289,796 5/1987 Larkin D24/29
- D. 291,868 9/1987 Hindle D9/453
- 2,801,017 7/1957 Cortat 215/296
- 2,848,130 8/1958 Jesnig D24/29 X
- 3,716,163 2/1973 Marcel D9/439 X

OTHER PUBLICATIONS

American Scientific catalog, 1981-82, p. 221, Vial No. B7811.

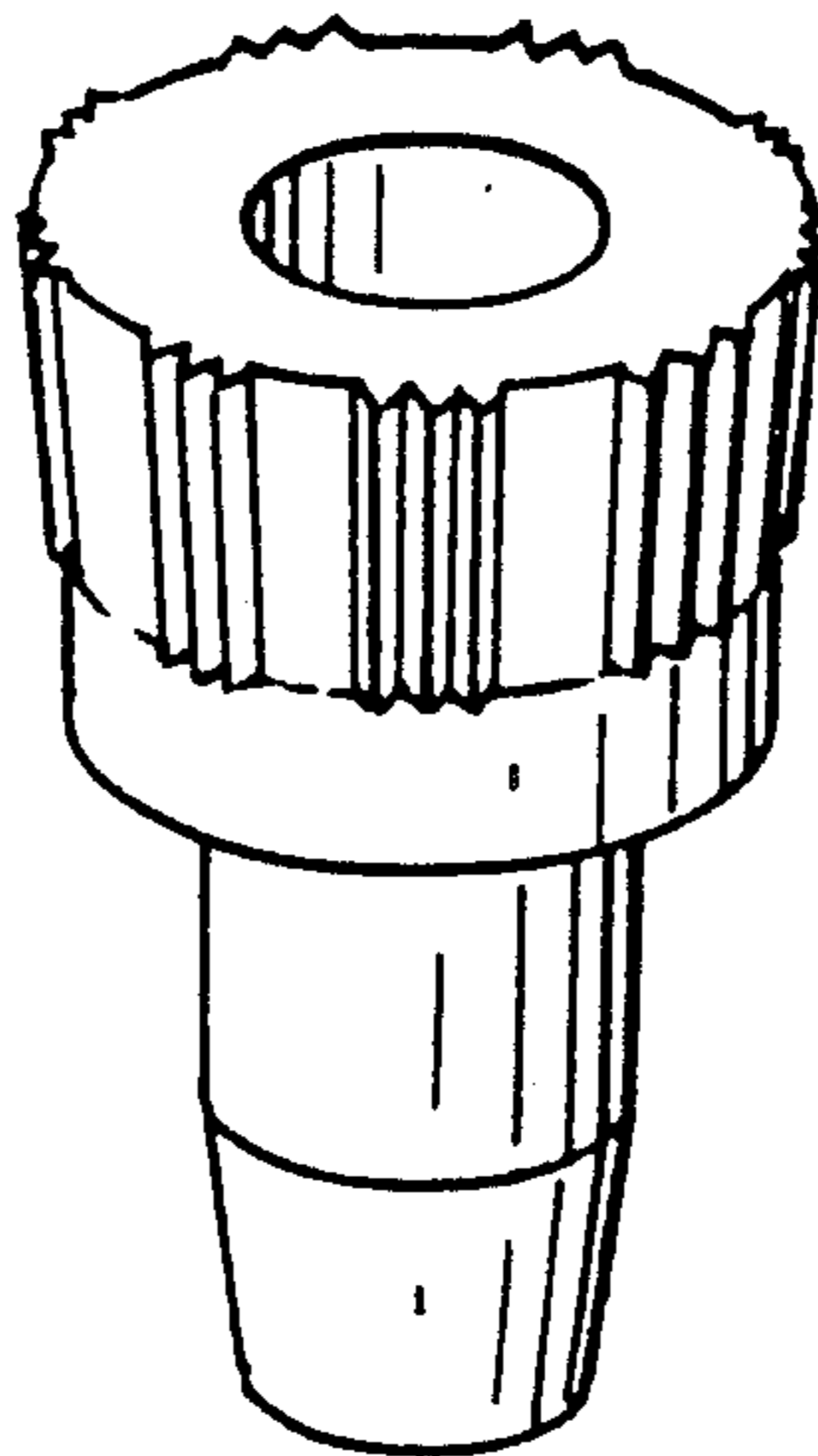
Primary Examiner—Winifred E. Herrmann
Attorney, Agent, or Firm—Christie, Parker & Hale

[57] CLAIM

The ornamental design for a sample vial plug, as shown and described.

DESCRIPTION

FIG. 1 is a top plan view of a sample vial plug showing my new design;
FIG. 2 is a top perspective view thereof;
FIG. 3 is a bottom plan view thereof; and
FIG. 4 is a side elevational view thereof, the undisclosed sides being identical thereto.



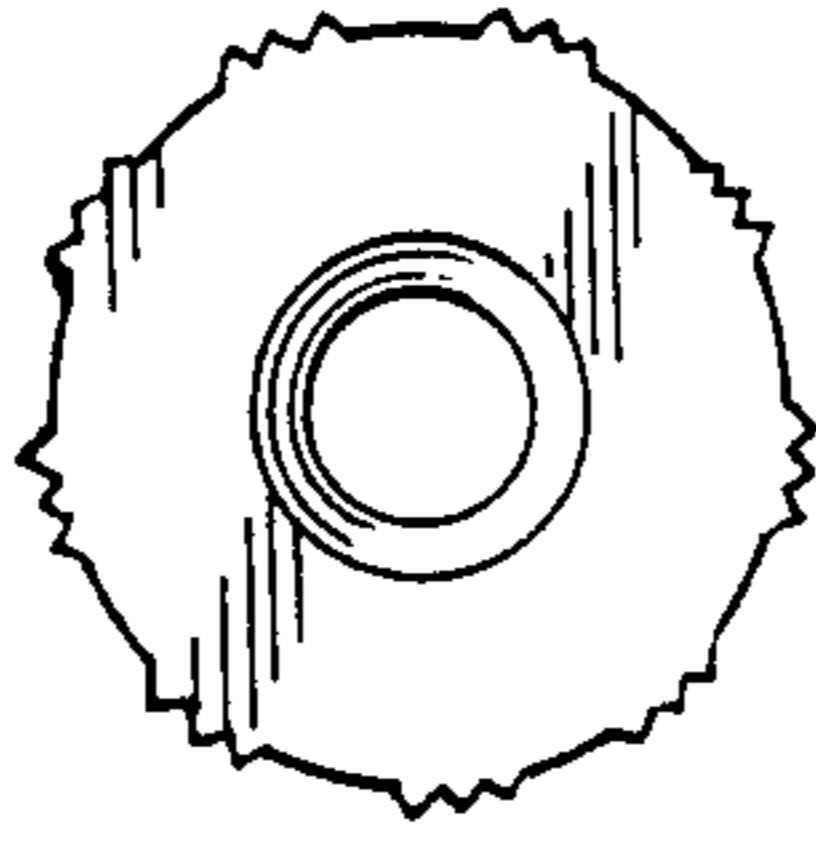


FIG. 1

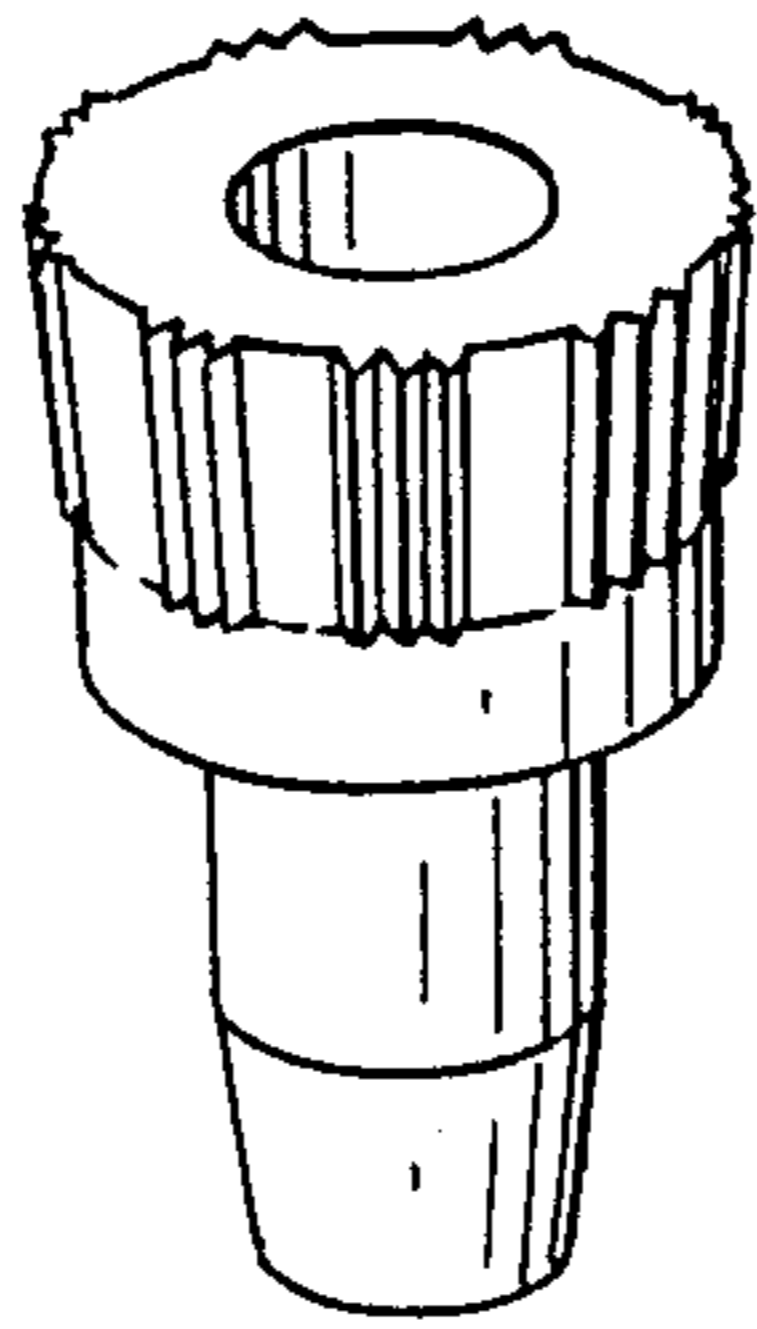


FIG. 2

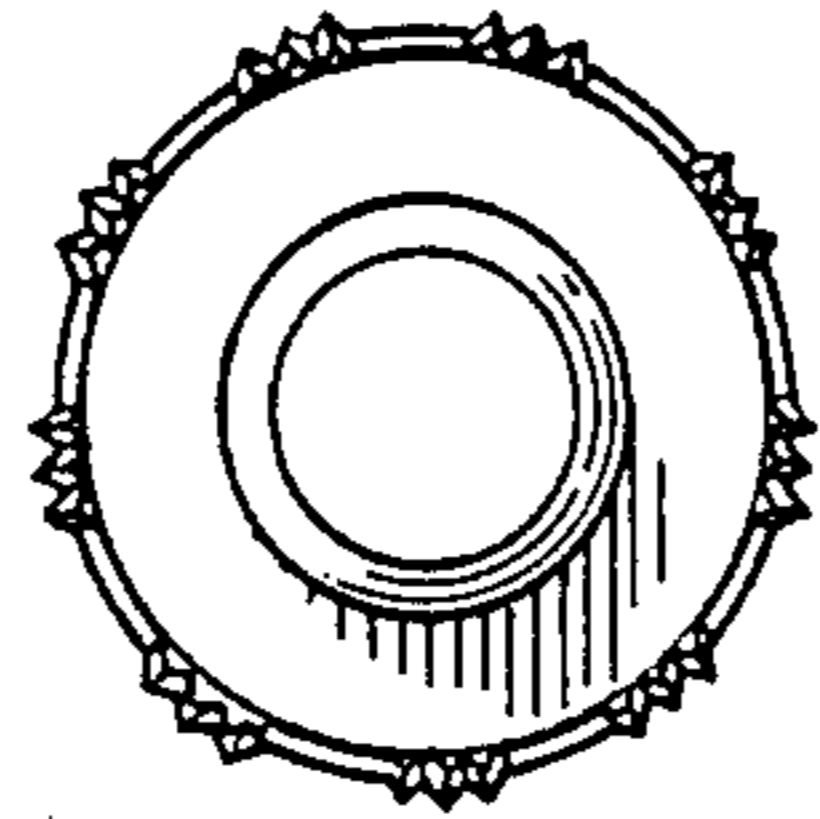


FIG. 3

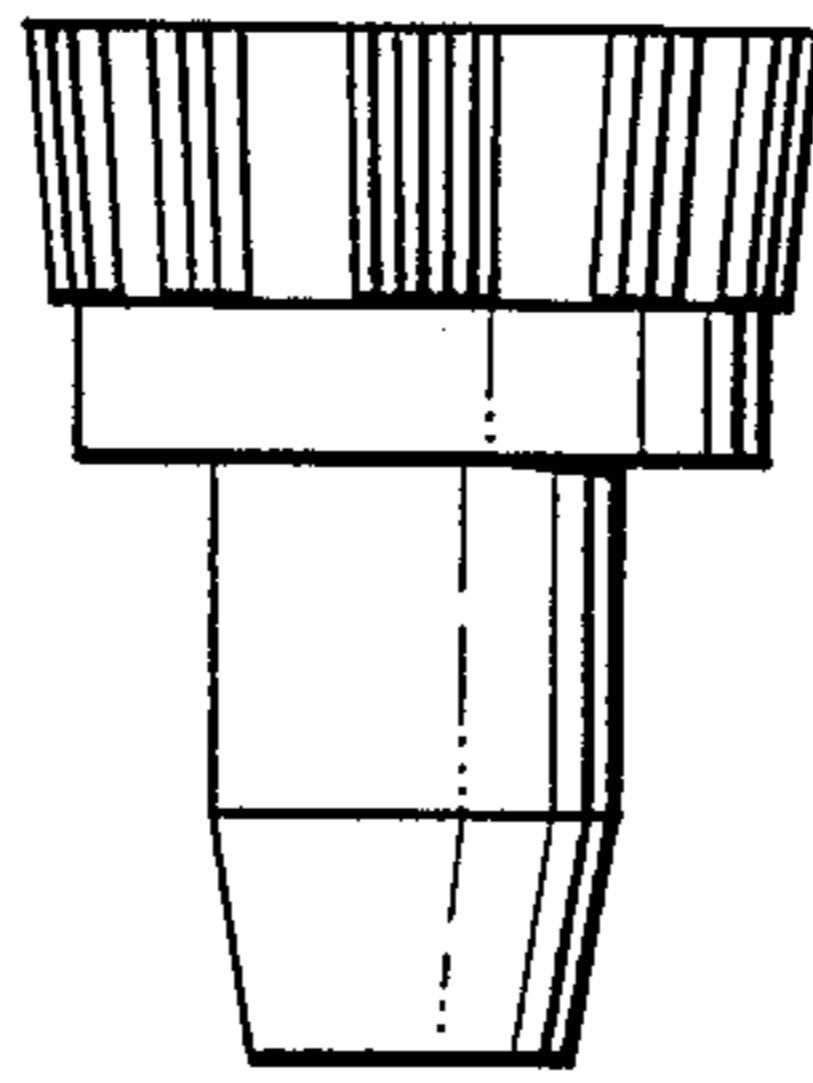


FIG. 4