

[54] BAR LOCK ASSEMBLY

[75] Inventors: William R. Foshee, Noblesville; Duane B. Nixon, Indianapolis, both of Ind.

[73] Assignee: Best Lock Corporation, Indianapolis, Ind.

[\*\*] Term: 14 Years

[21] Appl. No.: 42,660

[22] Filed: Apr. 27, 1987

[52] U.S. Cl. .... D8/331

[58] Field of Search ..... D8/330-331, D8/338-341, 343; 70/104, 113, 118, 467, 91, 97

[56] References Cited

U.S. PATENT DOCUMENTS

D. 285,772	9/1986	Oliver	.....	D8/331 X
3,464,241	9/1969	Wellekens	.....	70/91
3,711,894	1/1973	Walters	.....	16/144
3,827,266	8/1974	Walters	.....	70/104
3,899,905	8/1975	Walters	.....	70/91
3,921,422	11/1975	Walters	.....	70/97
3,940,957	3/1976	Walters	.....	70/104

Primary Examiner—Wallace R. Burke

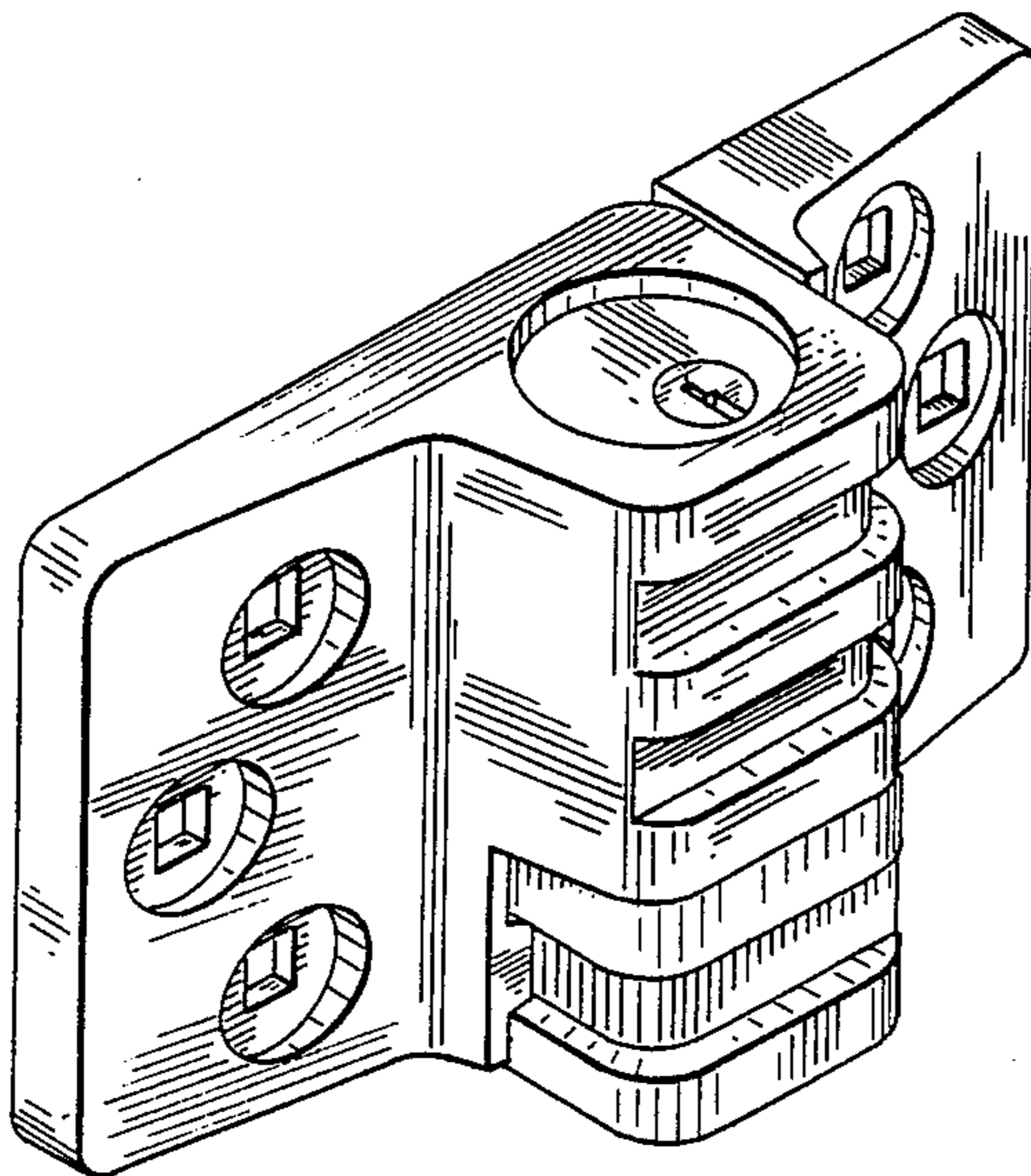
Assistant Examiner—Brian N. Vinson  
Attorney, Agent, or Firm—Barnes & Thornburg

[57] CLAIM

The ornamental design for a bar lock assembly, as shown and described.

DESCRIPTION

FIG. 1 is a top, front and left side perspective view of a bar lock assembly showing our new design; FIG. 2 is a front elevational view thereof; FIG. 3 is a top plan view thereof; FIG. 4 is a bottom plan view thereof; FIG. 5 is a left side elevational view thereof; FIG. 6 is a right side elevational view thereof; FIG. 7 is a rear elevational view thereof; FIG. 8 is a bottom perspective view of the left side element thereof; FIG. 9 is a top perspective view of the right side element thereof; FIG. 10 is a top perspective view thereof, shown in an alternative configuration; FIG. 11 is a top and left side perspective view thereof, shown in another alternative configuration; and FIG. 12 is a top and right side perspective view thereof, shown in the configuration of FIG. 11.



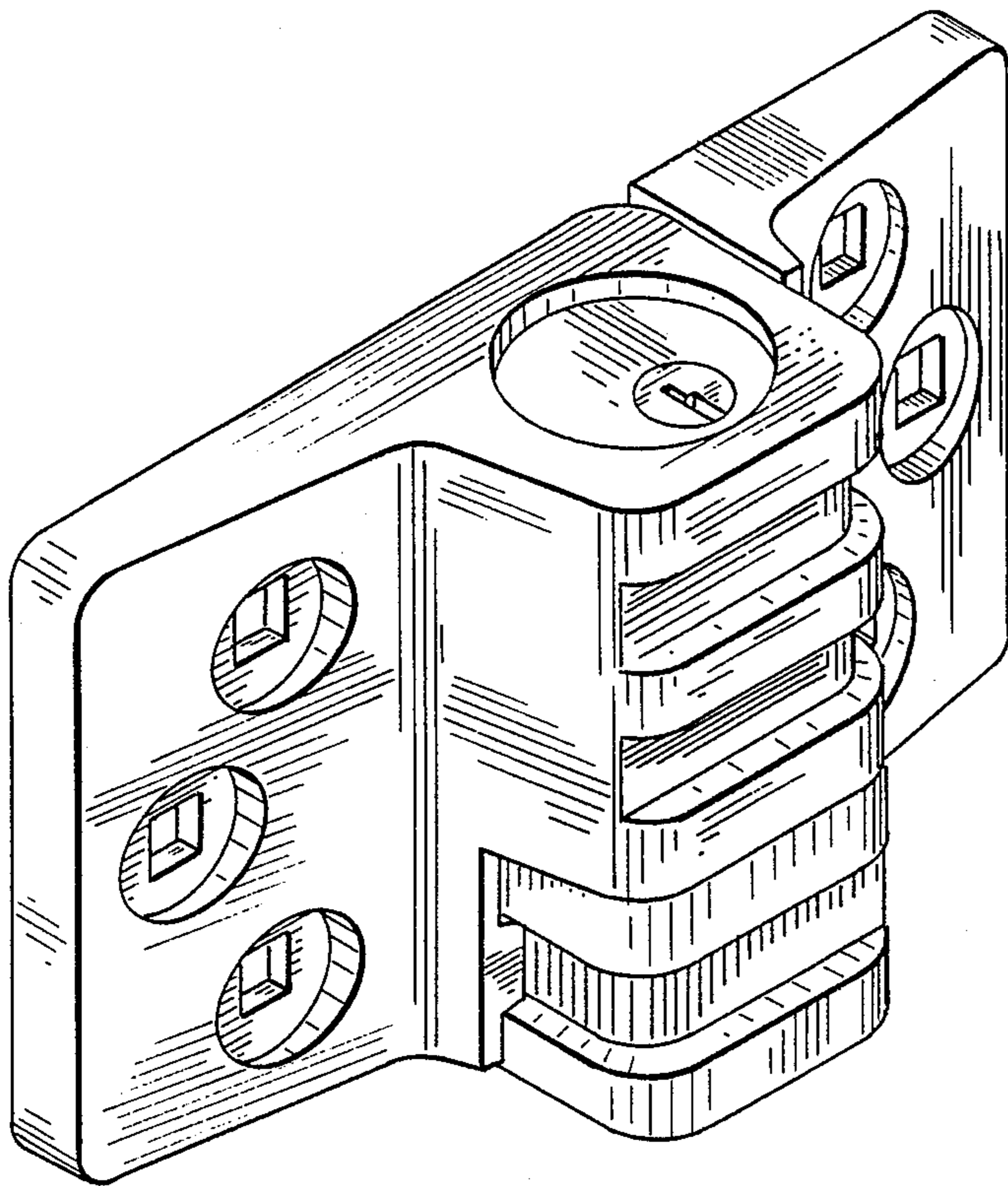


FIG. 1

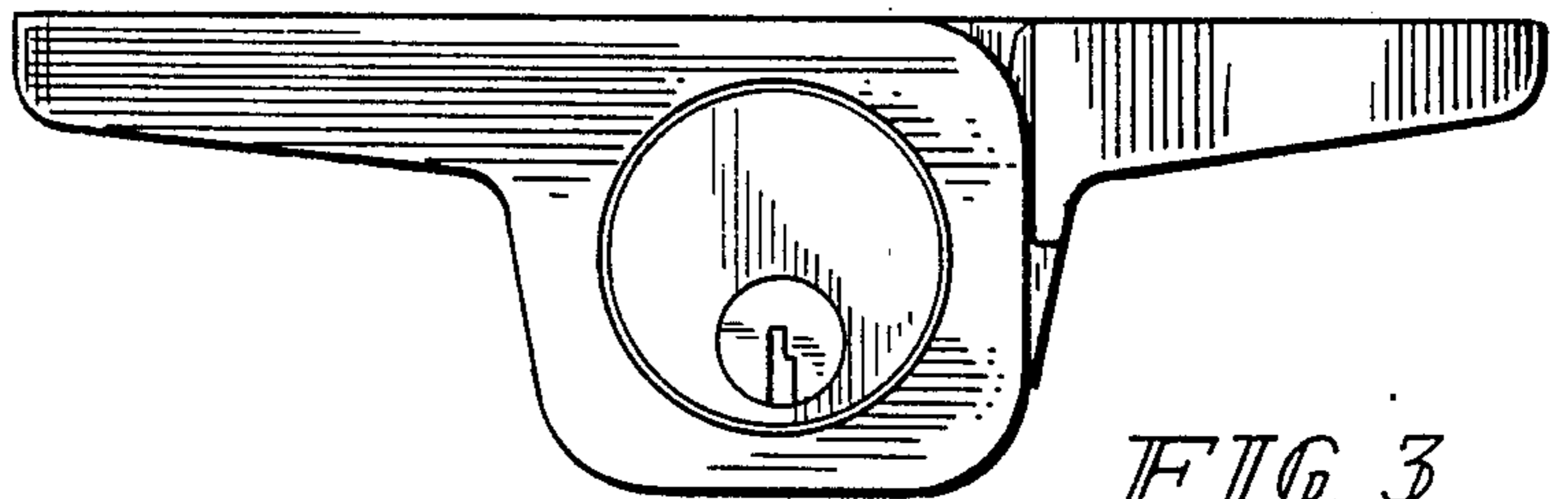


FIG. 3

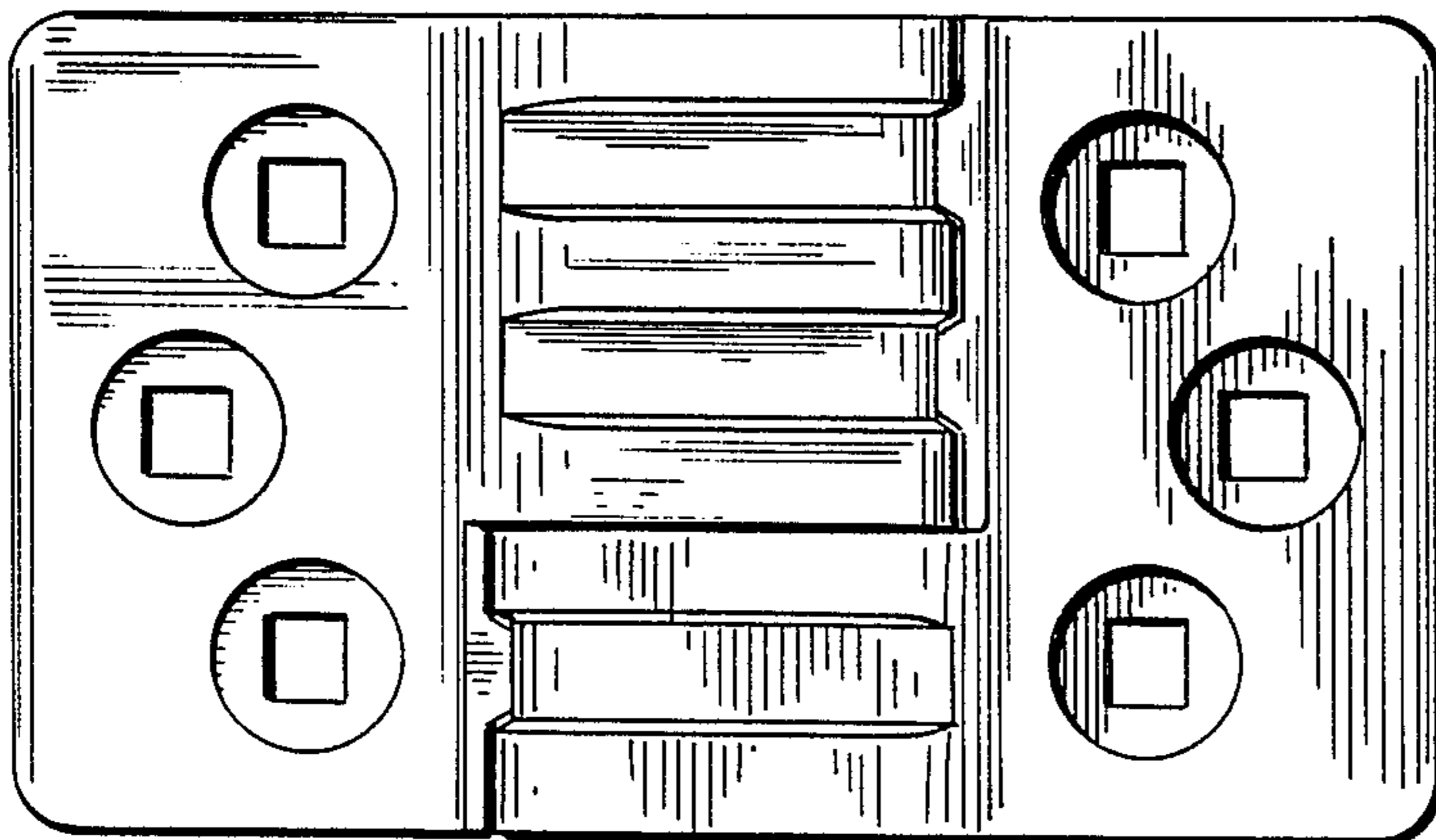


FIG. 2

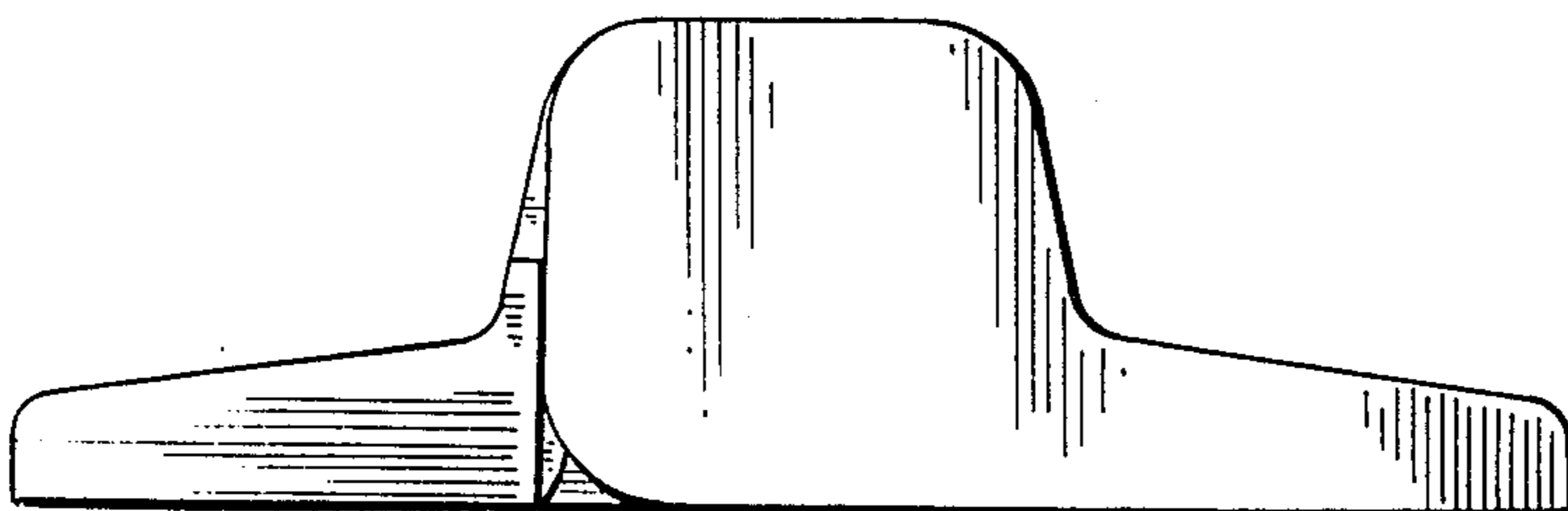
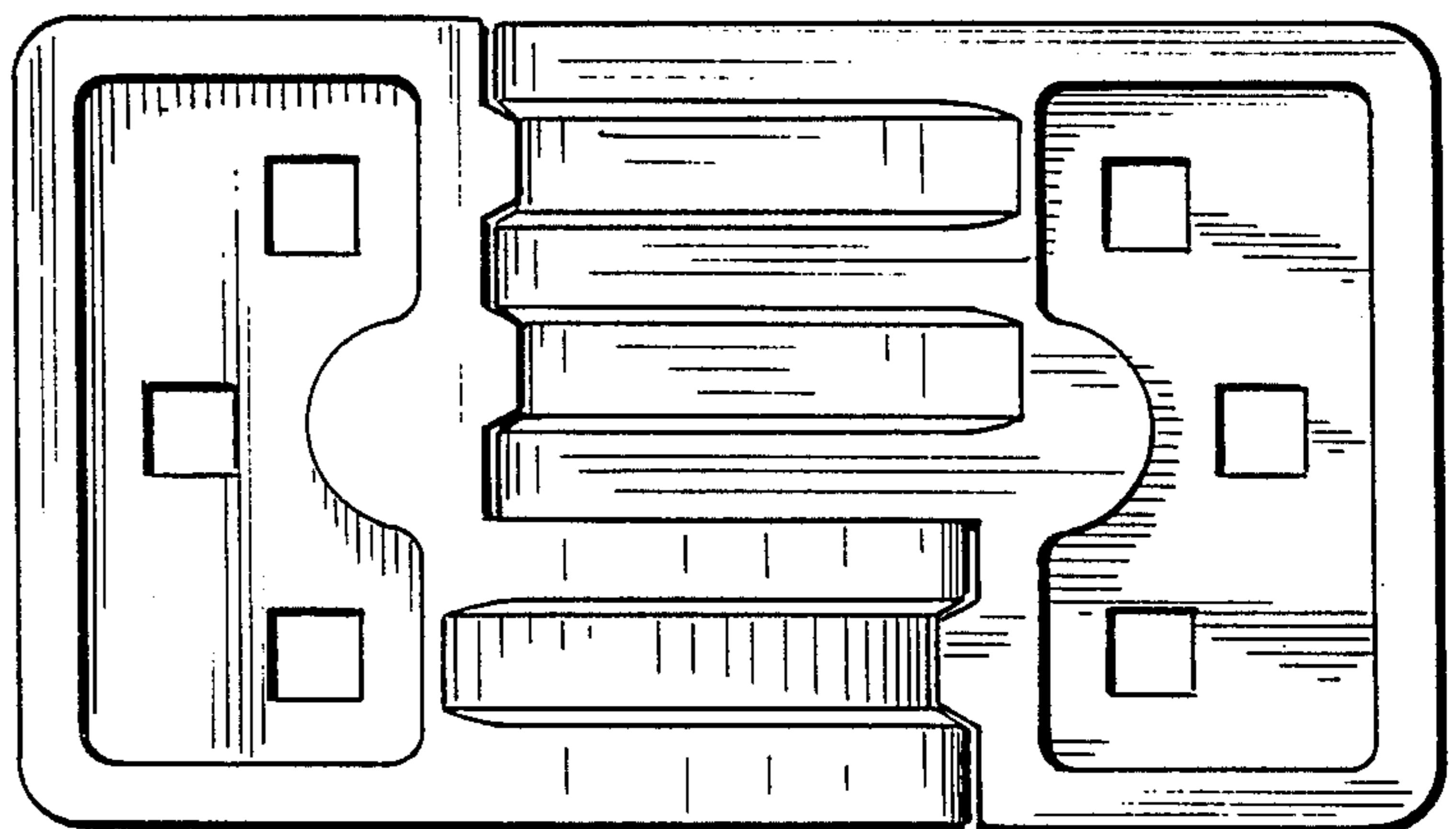
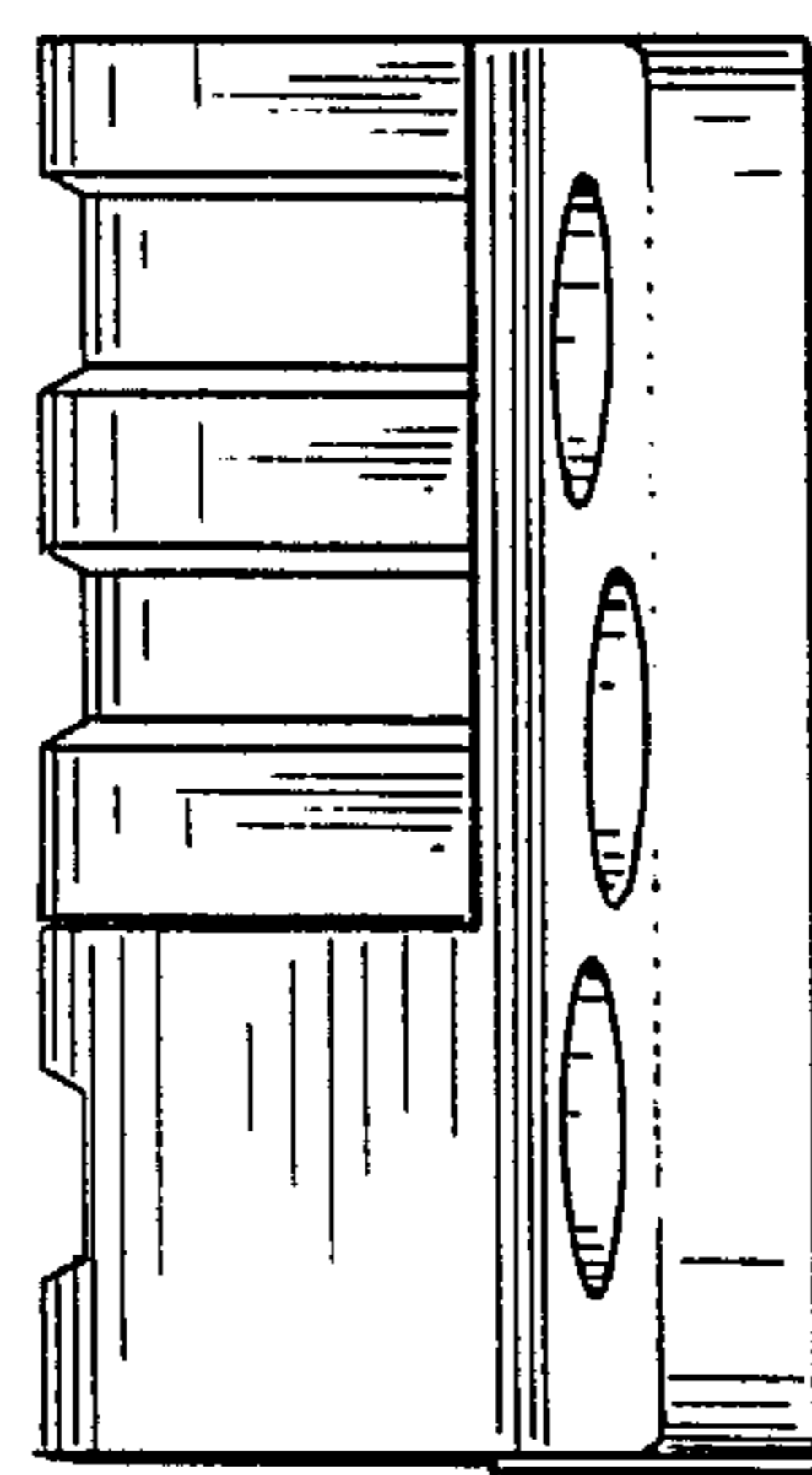
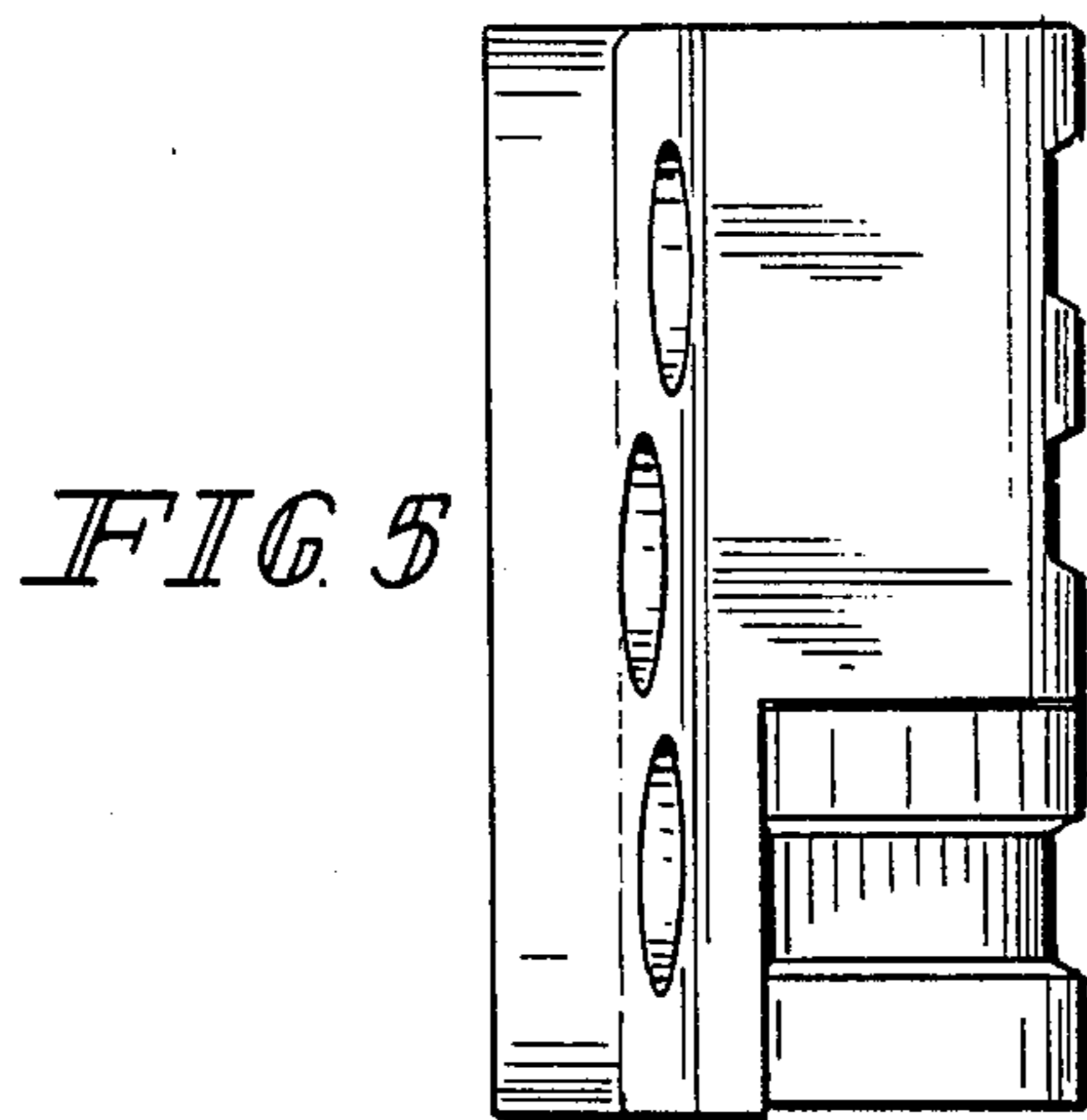
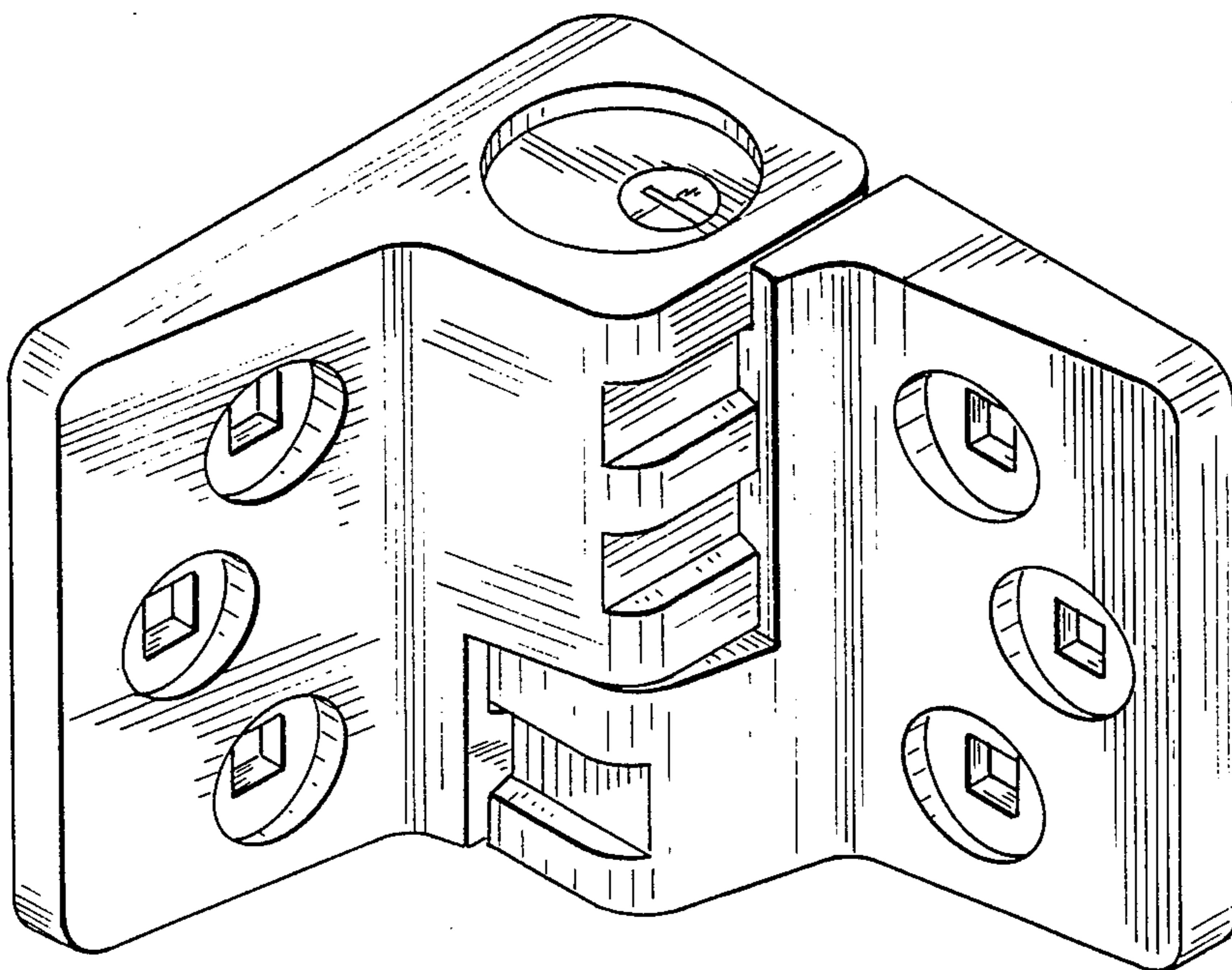


FIG. 4



*FIG. 7*



*FIG. 10*

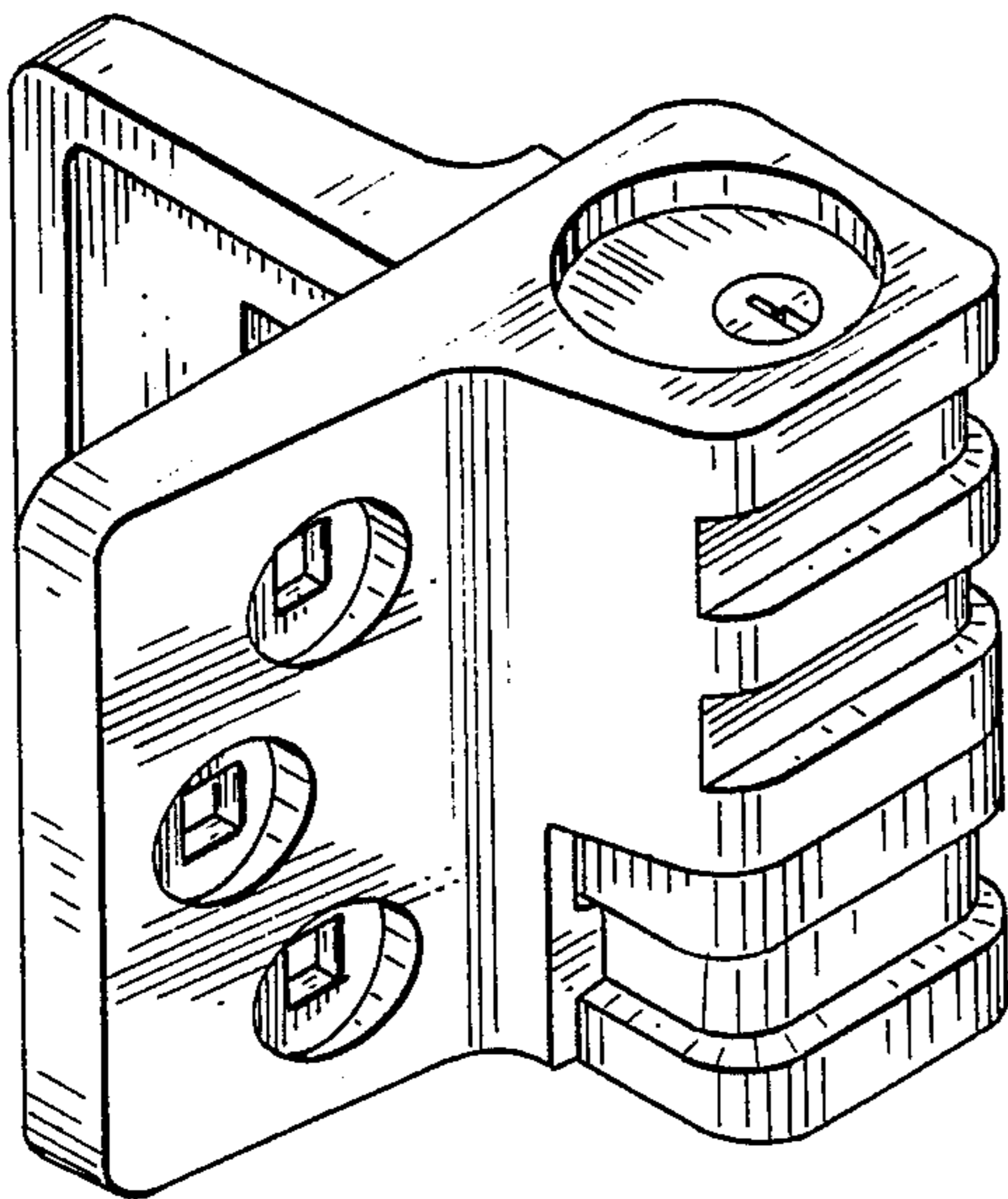


FIG. 11

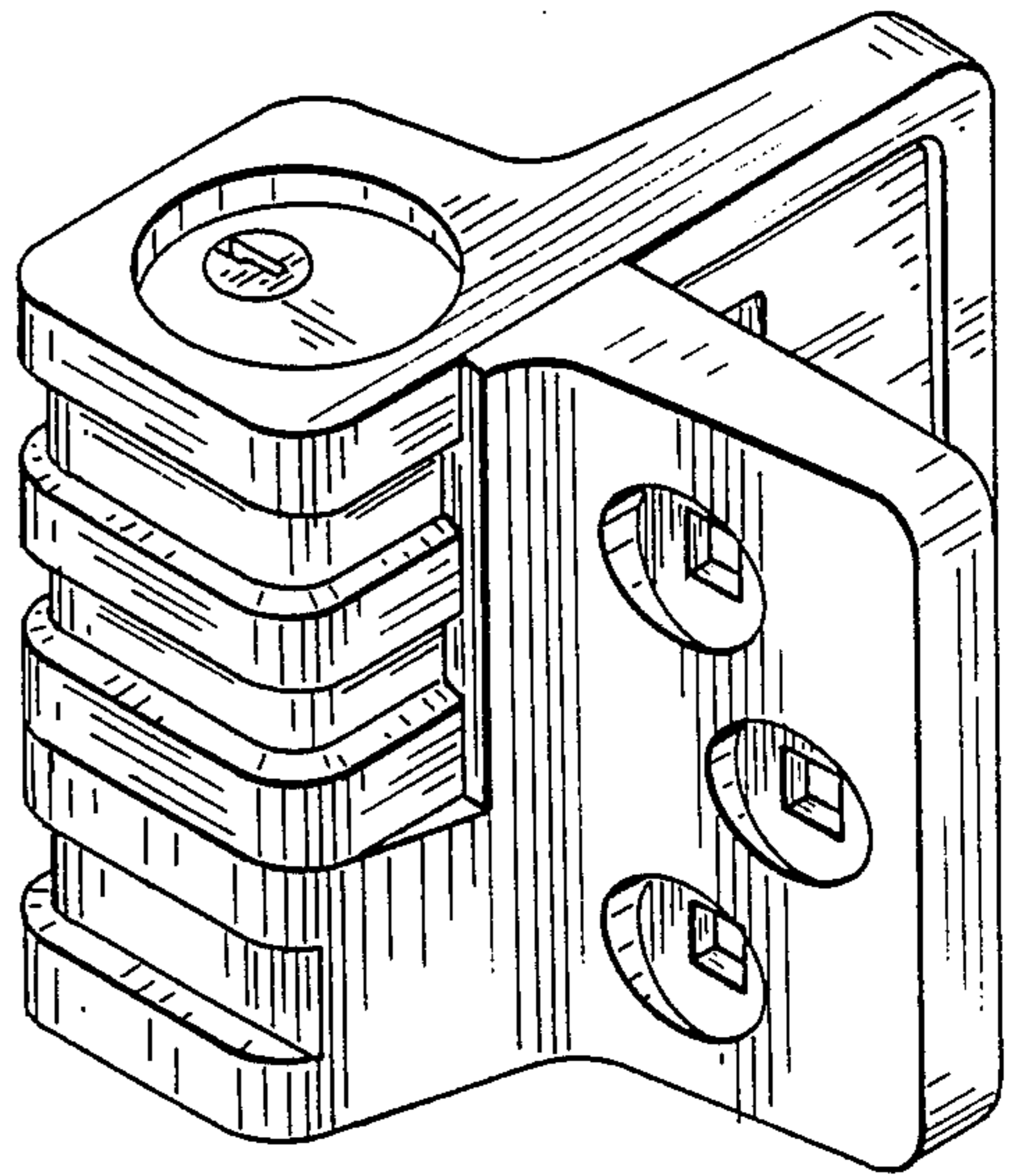


FIG. 12

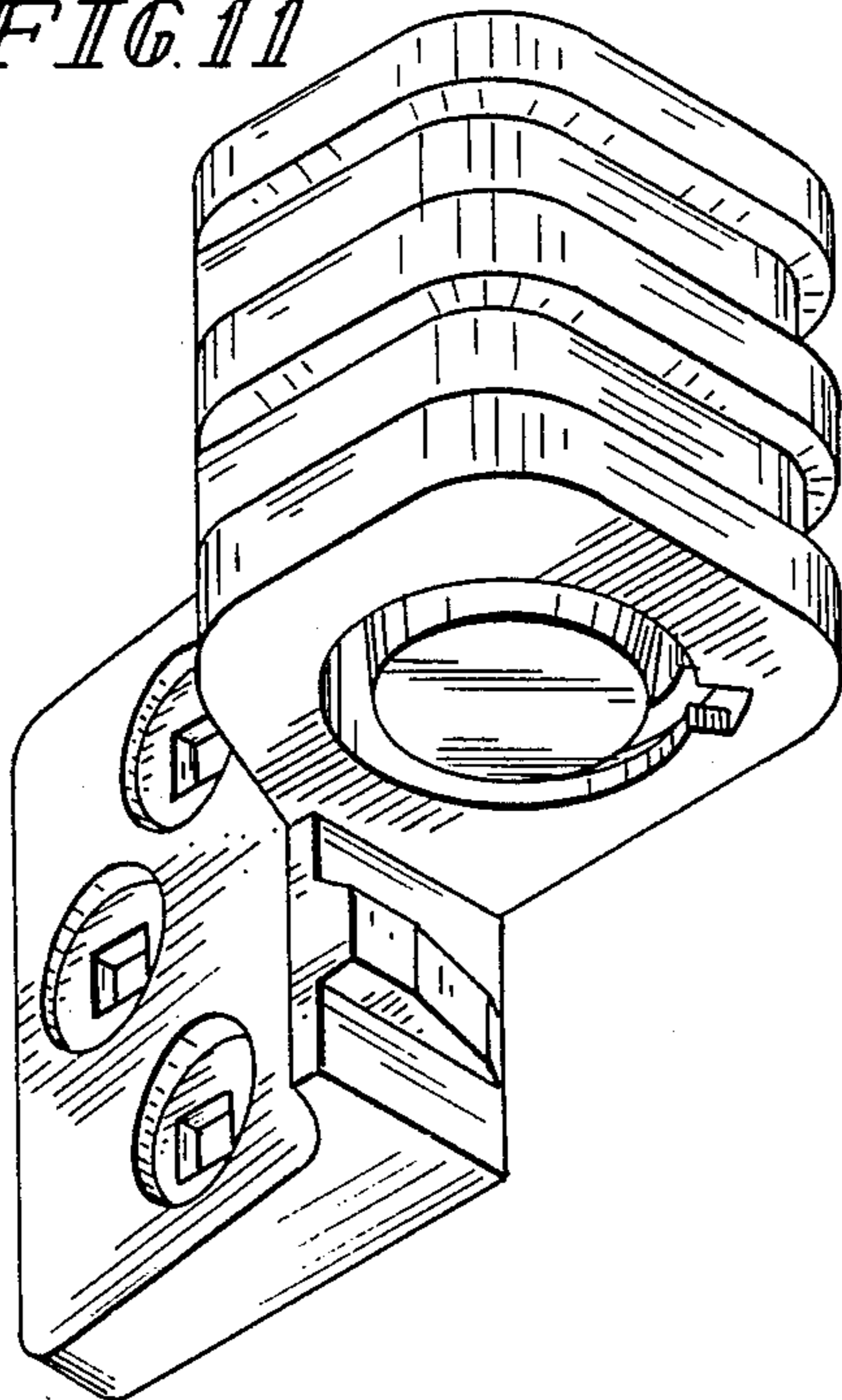


FIG. 8

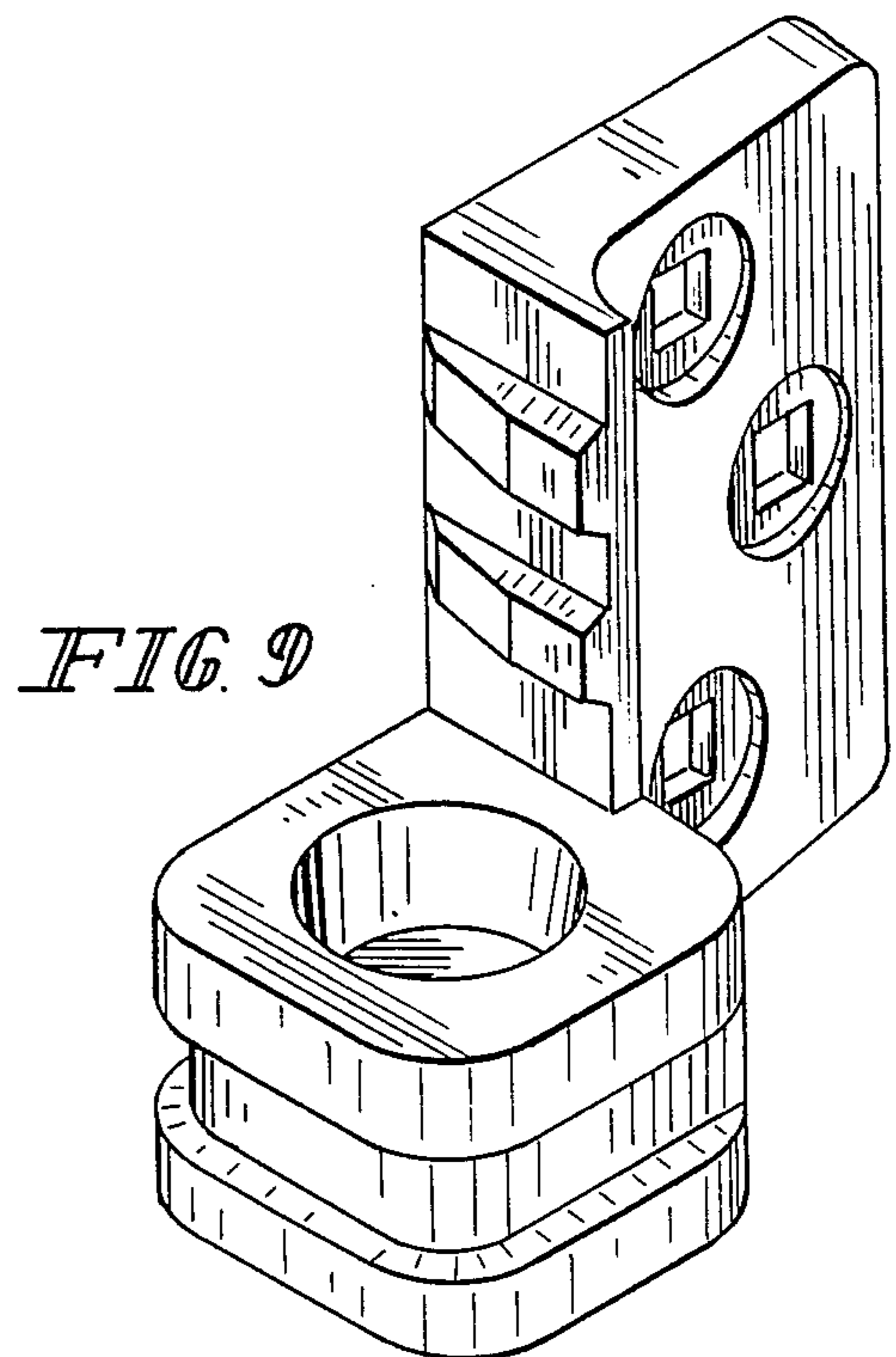


FIG. 9