

[54] DRIVER DRILL

[75] Inventors: Fusao Fushiya; Michio Okumura, both of Anjo, Japan

[73] Assignee: Makita Electric Works, Ltd., Aichi, Japan

[**] Term: 14 Years

[21] Appl. No.: 51,063

[22] Filed: May 15, 1987

[30] Foreign Application Priority Data

Dec. 9, 1986 [JP] Japan 61-48798

[52] U.S. Cl. D8/68

[58] Field of Search D8/61, 68; 81/54, 57.11, 81/57.14, 429; 408/124, 125, 127; 310/50; 173/163, 170

[56] References Cited

U.S. PATENT DOCUMENTS

D. 279,957 8/1985 Akazawa et al. D8/68
3,213,303 10/1965 Riley, Jr. et al. 310/50

OTHER PUBLICATIONS

D.I.Y. Retailing, Aug. 1986, p. 10, Ryobi Drill.
D.I.Y. Retailing, Aug. 1988, p. 122, Skil Driver Drill #2235.

Makita product sheet for Model 6070DW Cordless Driver/Drill distributed Jan. 1986.

Makita product flyer for Model 6012HDW Cordless Driver/Drill distributed 1982.

Makita product flyer for Model 8400DW Cordless Driver/Drill distributed 1984.

Primary Examiner—Bruce W. Dunkins

Assistant Examiner—Clare E. Heflin

Attorney, Agent, or Firm—Lahive & Cockfield

[57] CLAIM

The ornamental design for a driver drill, as shown.

DESCRIPTION

FIG. 1 is a top perspective view of the driver drill showing our new design;

FIG. 2 is a bottom perspective view thereof;

FIG. 3 is a top plan view thereof;

FIG. 4 is a front elevational view thereof;

FIG. 5 is a bottom plan view thereof;

FIG. 6 is a rear elevational view thereof;

FIG. 7 is a left side elevational view thereof; and

FIG. 8 is a right side elevational view thereof.

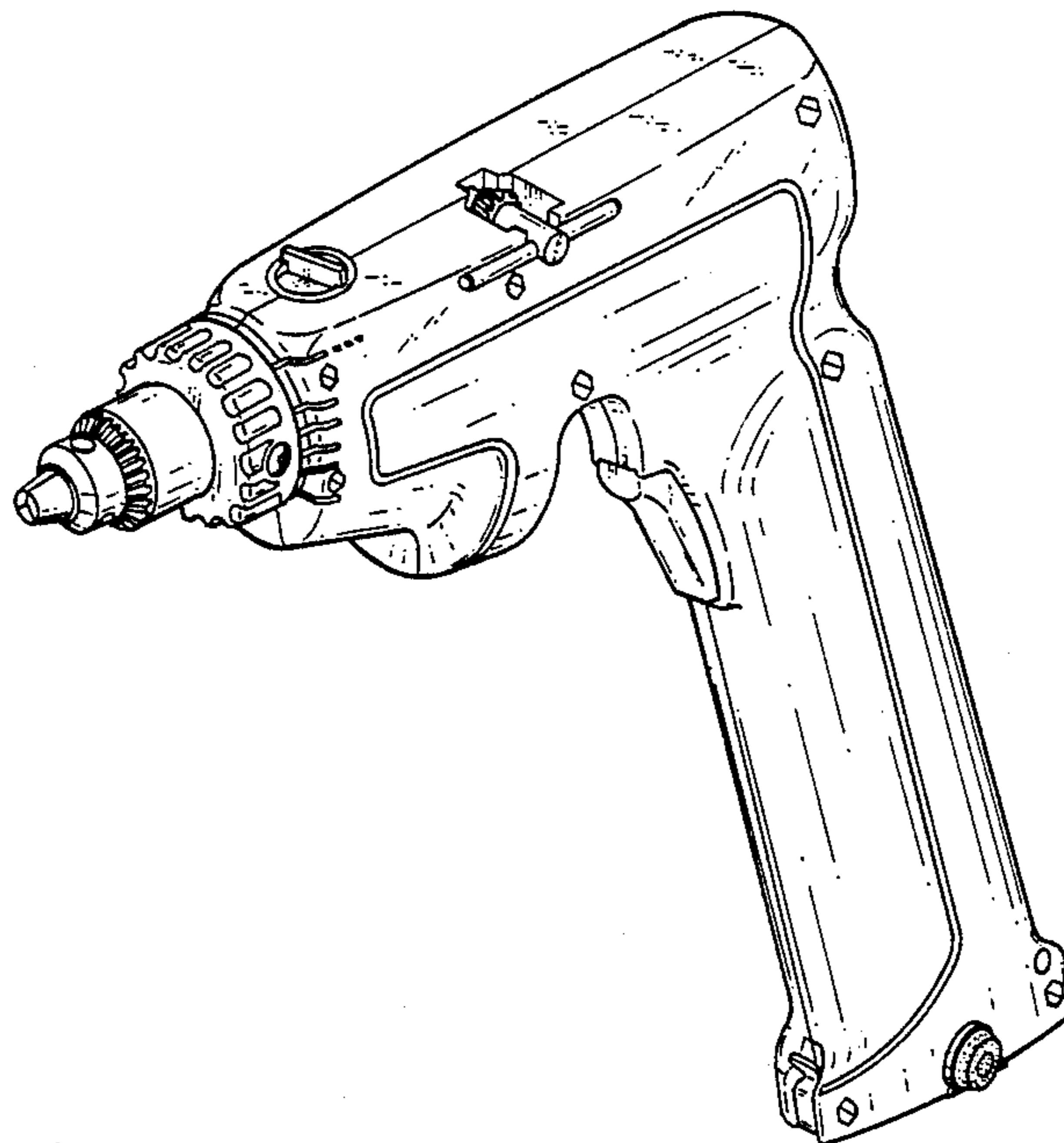


FIG. 1

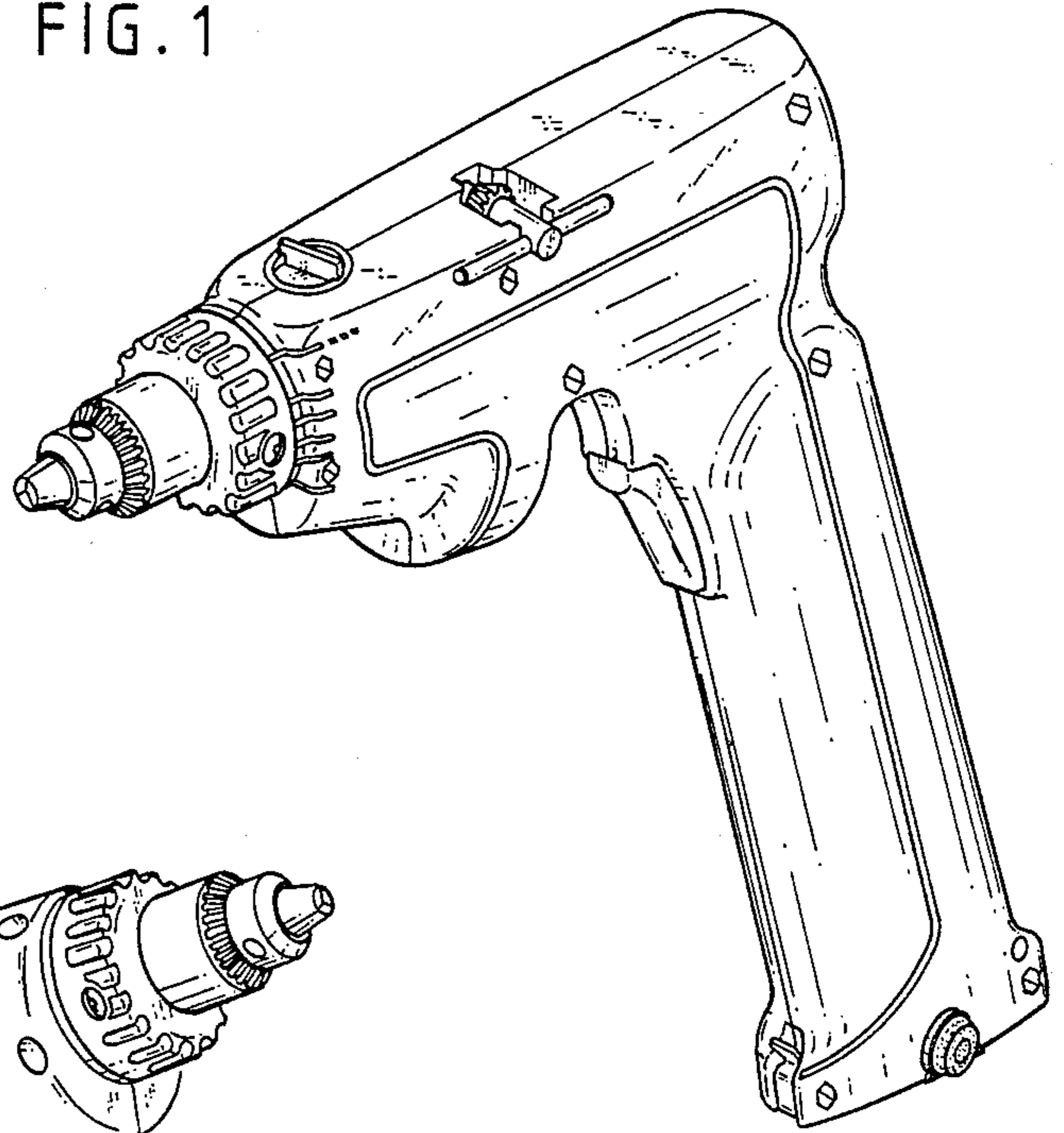


FIG. 2

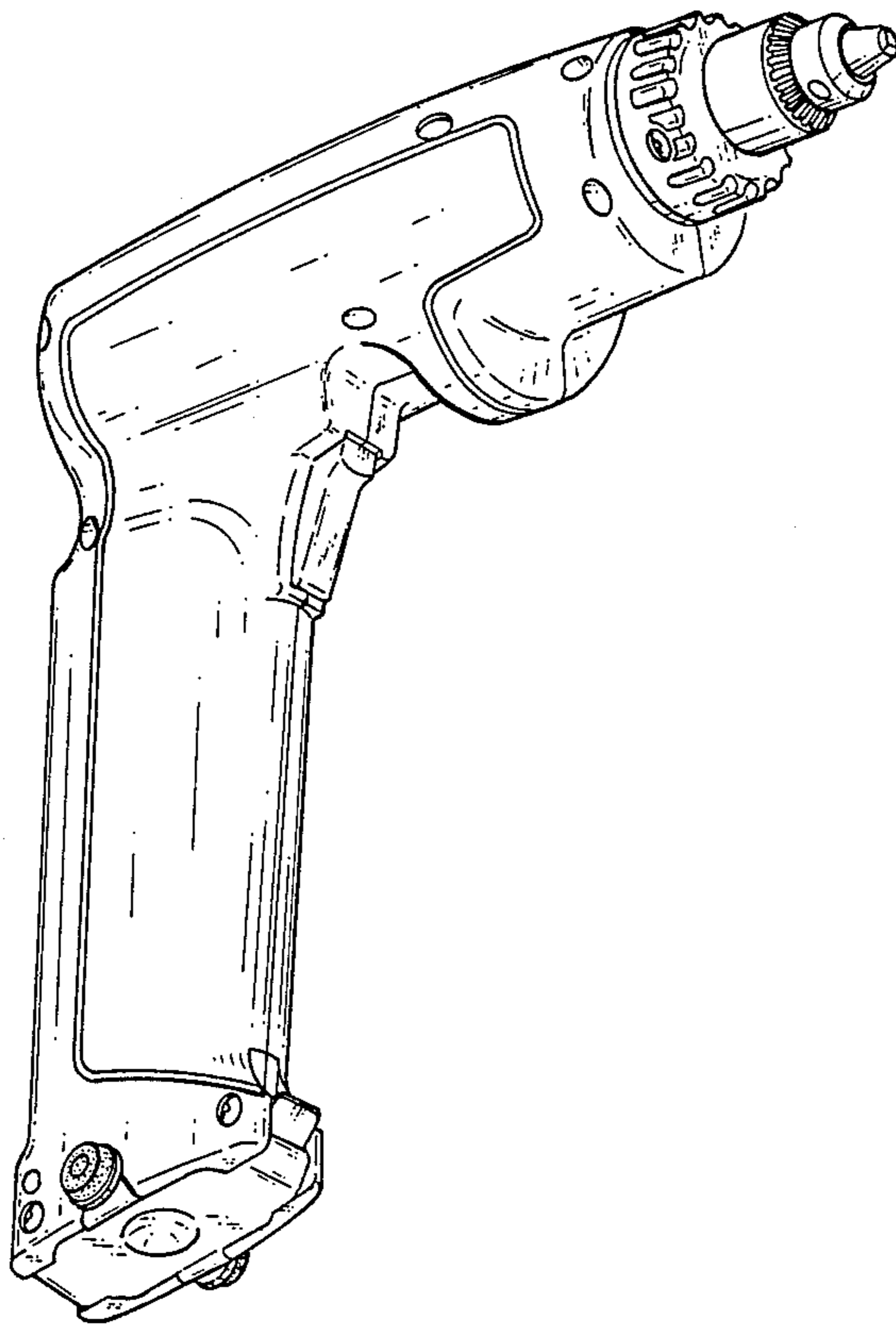


FIG. 3

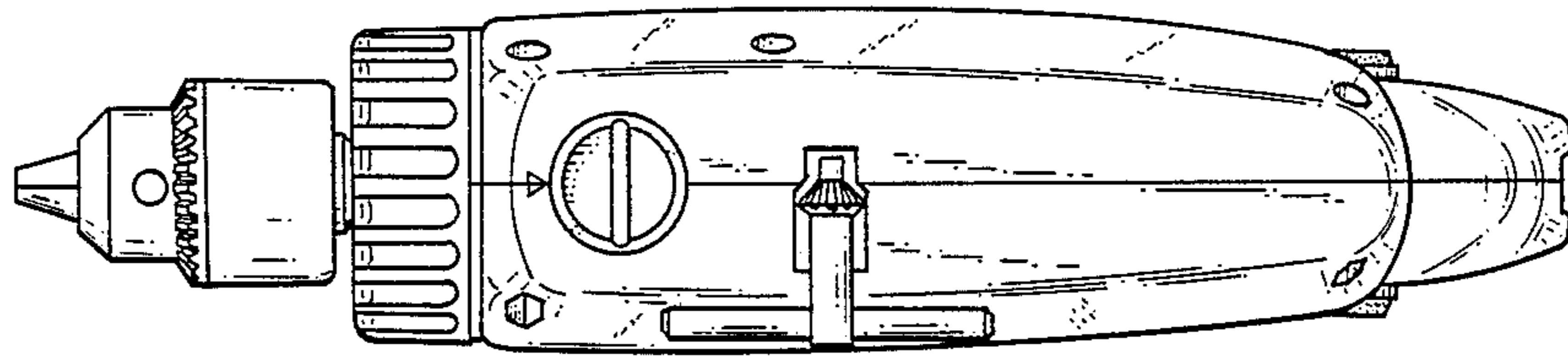


FIG. 4

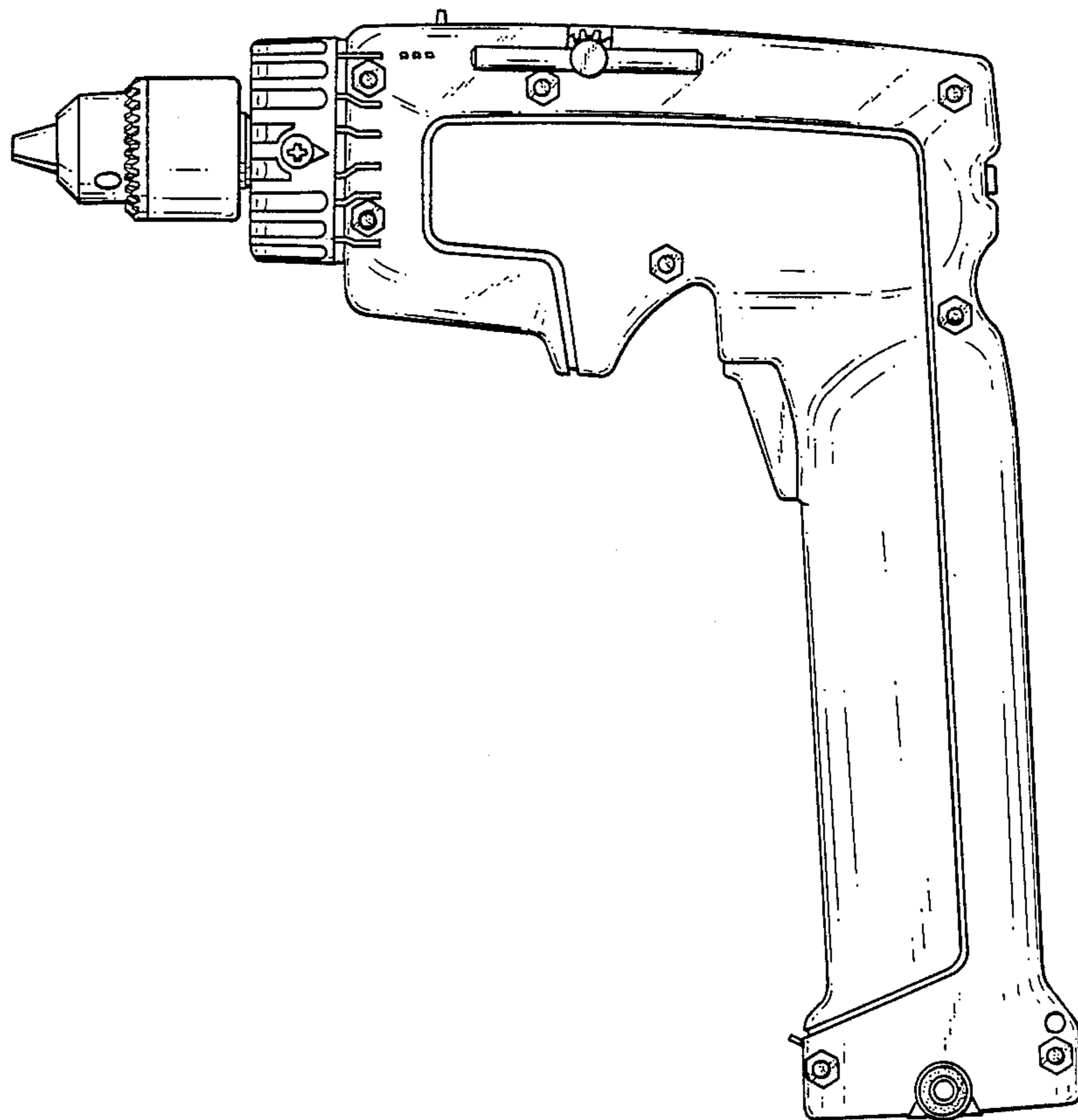


FIG. 5

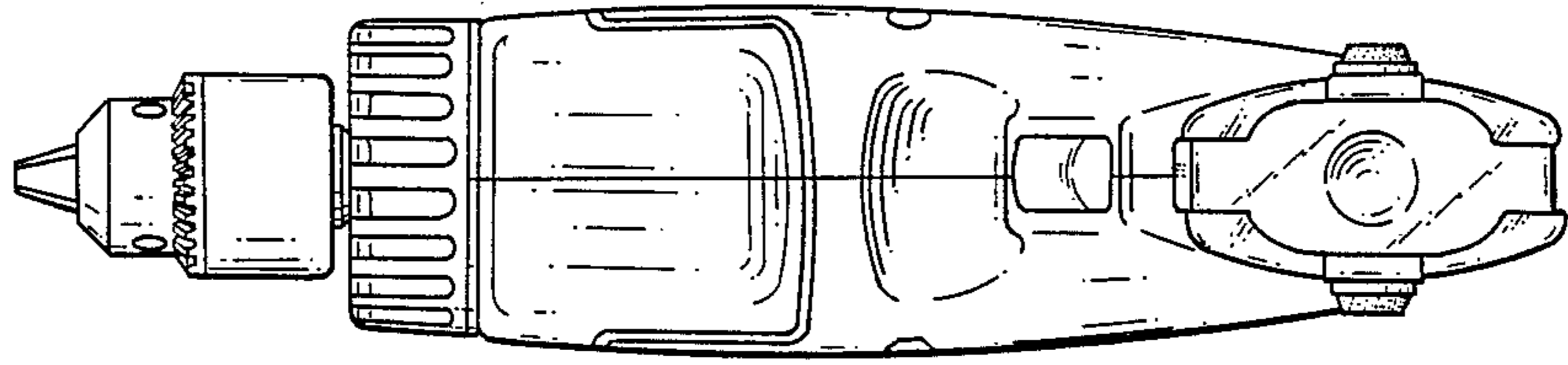


FIG. 6

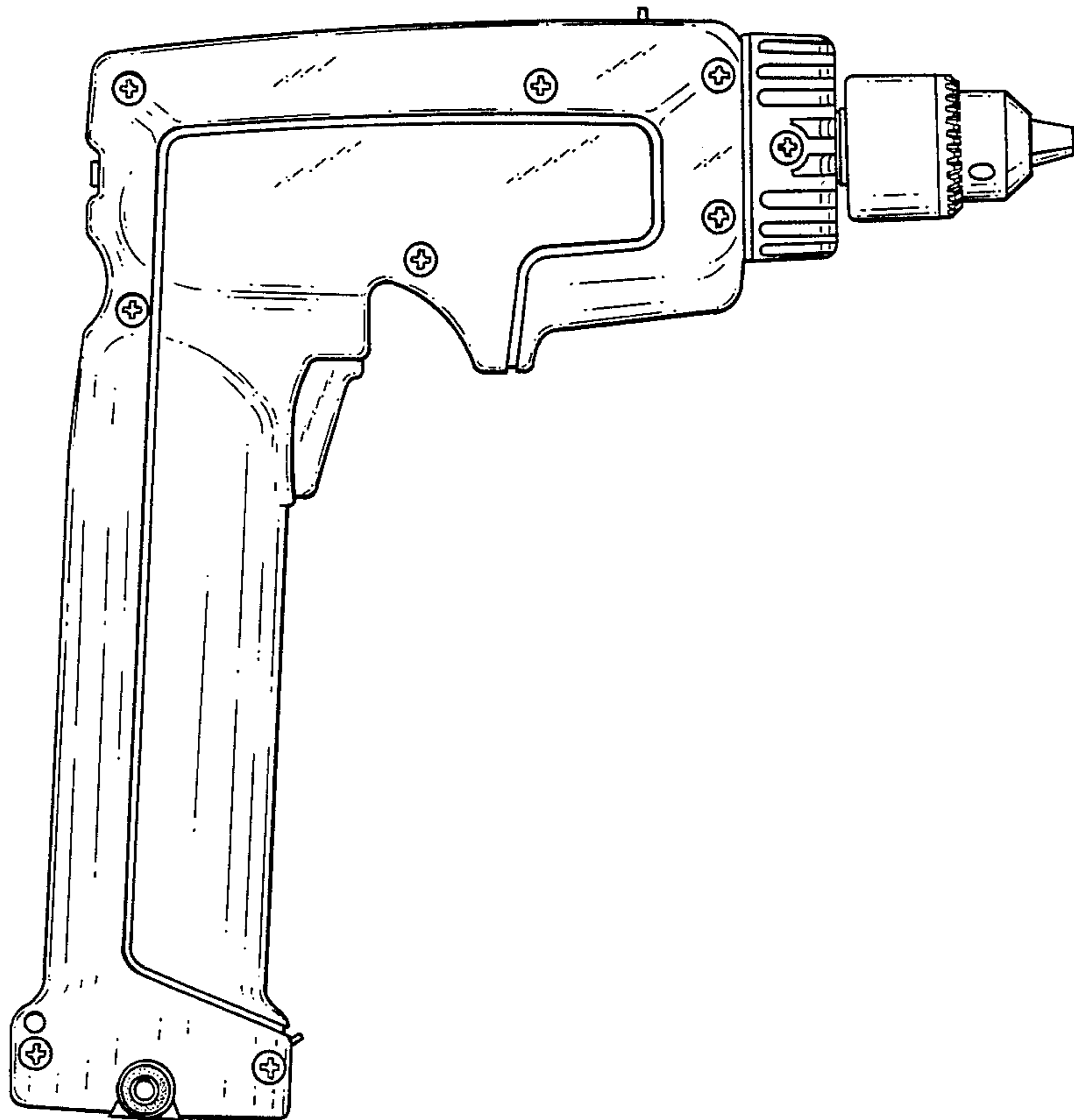


FIG. 7

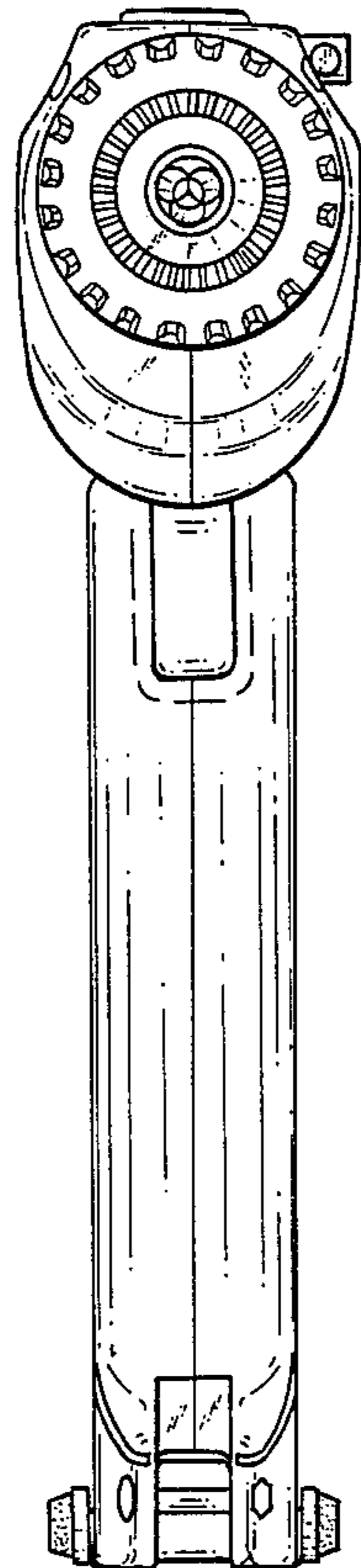


FIG. 8

