

[54] CUTTING ATTACHMENT FOR A WEED TRIMMER

DESCRIPTION

[76] Inventor: Larance E. Barbula, 9393 Barbula Hill, Newcastle, Calif. 95658

[*] Notice: The portion of the term of this patent subsequent to Oct. 8, 1999 has been disclaimed.

[**] Term: 14 Years

[21] Appl. No.: 833,463

[22] Filed: Feb. 18, 1986

[52] U.S. Cl. D8/7

[58] Field of Search D8/7-8; 30/276, 347; 56/12.7, 294-295, 249, 255

[56] References Cited

U.S. PATENT DOCUMENTS

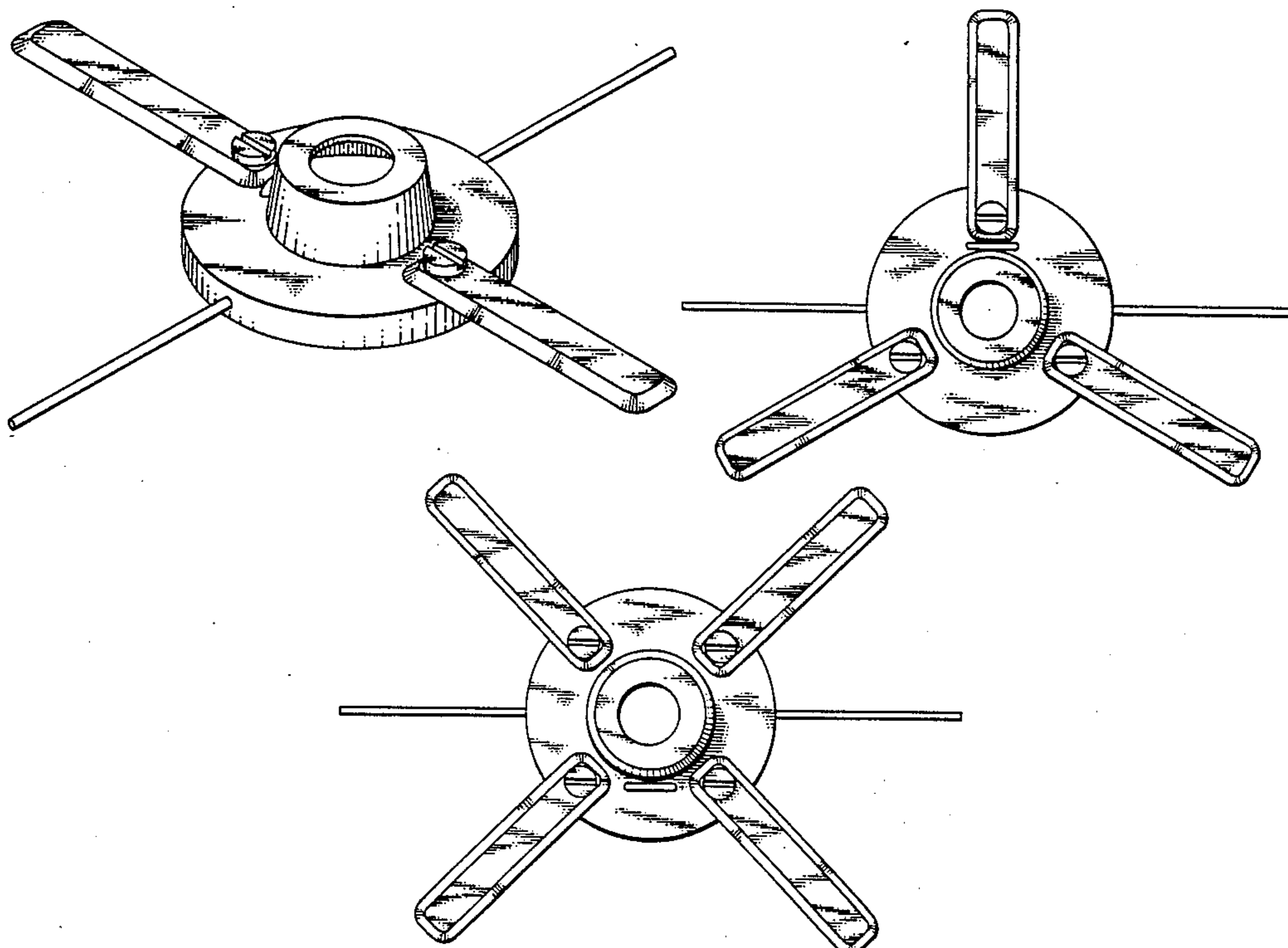
D. 262,512	1/1982	Moore	D8/8
D. 280,903	10/1985	Barbula	D8/7
4,265,018	5/1981	Schrock et al.	30/276
4,270,271	6/1981	Feldman et al.	30/276
4,476,632	10/1984	Proulx	30/276
4,628,672	12/1986	Jones	30/347 X

Primary Examiner—Wallace R. Burke
Assistant Examiner—Brian N. Vinson
Attorney, Agent, or Firm—Lothrop & West

[57] CLAIM

The ornamental design for a cutting attachment for a weed trimmer, as shown and described.

FIG. 1 is a perspective view of a cutting attachment for a weed trimmer, showing my new design;
 FIG. 2 is a top plan view thereof;
 FIG. 3 is a front elevational view thereof, the rear elevation being substantially the same as the figure shown;
 FIG. 4 is a bottom plan view thereof;
 FIG. 5 is a top plan view of a second embodiment thereof;
 FIG. 6 is a front elevational view of the embodiment of FIG. 5;
 FIG. 7 is a rear elevational view of the embodiment of FIG. 5;
 FIG. 8 is a bottom plan view of the embodiment of FIG. 5;
 FIG. 9 is a top plan view of a third embodiment thereof;
 FIG. 10 is a front elevational view of the embodiment of FIG. 9, the rear elevation being substantially the same as the figure shown;
 FIG. 11 is a bottom plan view of the embodiment of FIG. 9;
 FIG. 12 is a top plan view of a fourth embodiment thereof;
 FIG. 13 is a front elevational view of the embodiment of FIG. 12, the rear elevation being substantially the same as the figure shown;
 FIG. 14 is a bottom plan view of the embodiment of FIG. 12;
 FIG. 15 is a top plan view of a fifth embodiment thereof;
 FIG. 16 is a front elevational view of the embodiment of FIG. 15, the rear elevation being substantially the same as the figure shown; and,
 FIG. 17 is a bottom plan view of the embodiment of FIG. 15.



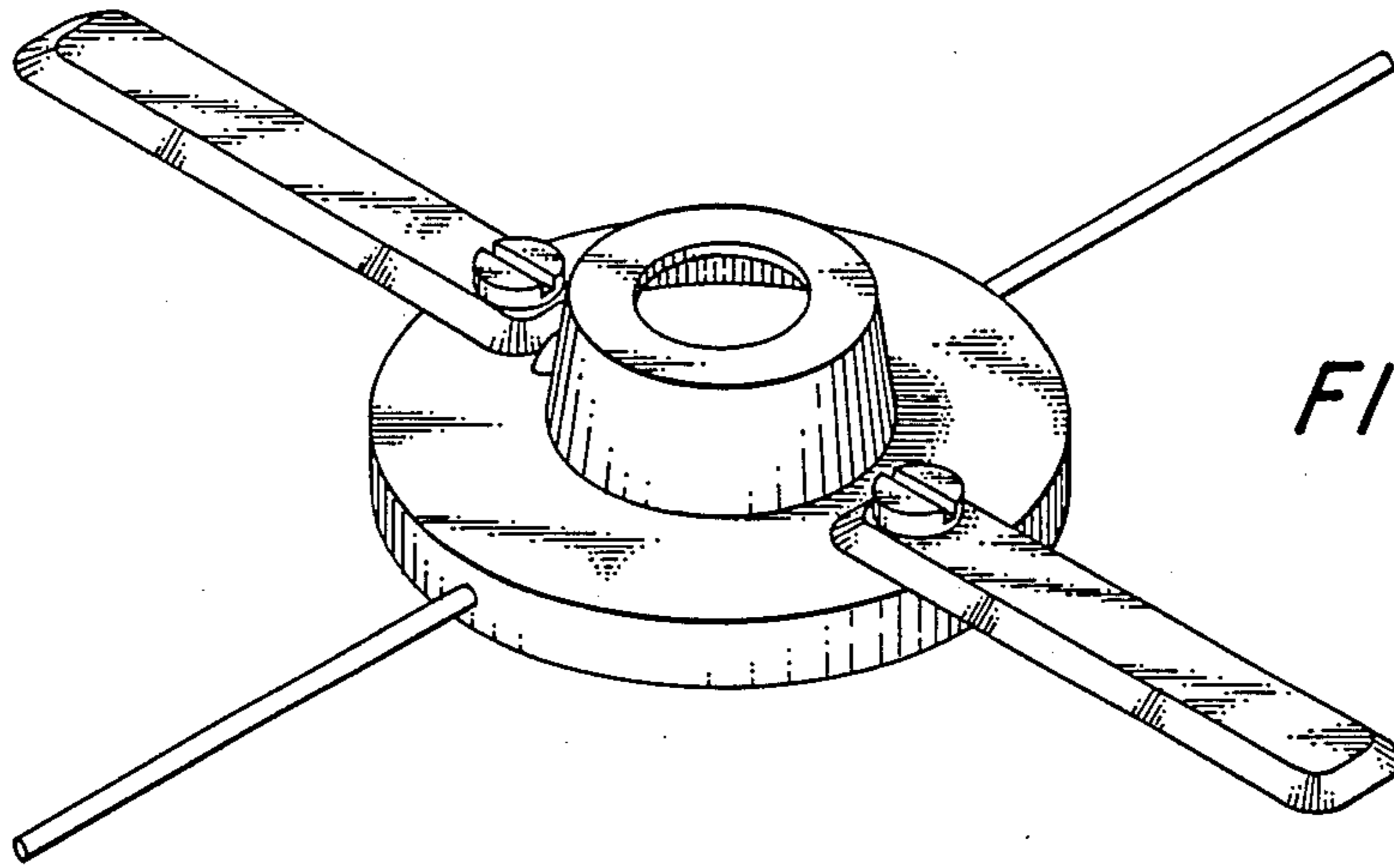


FIG. 1.

FIG. 2.

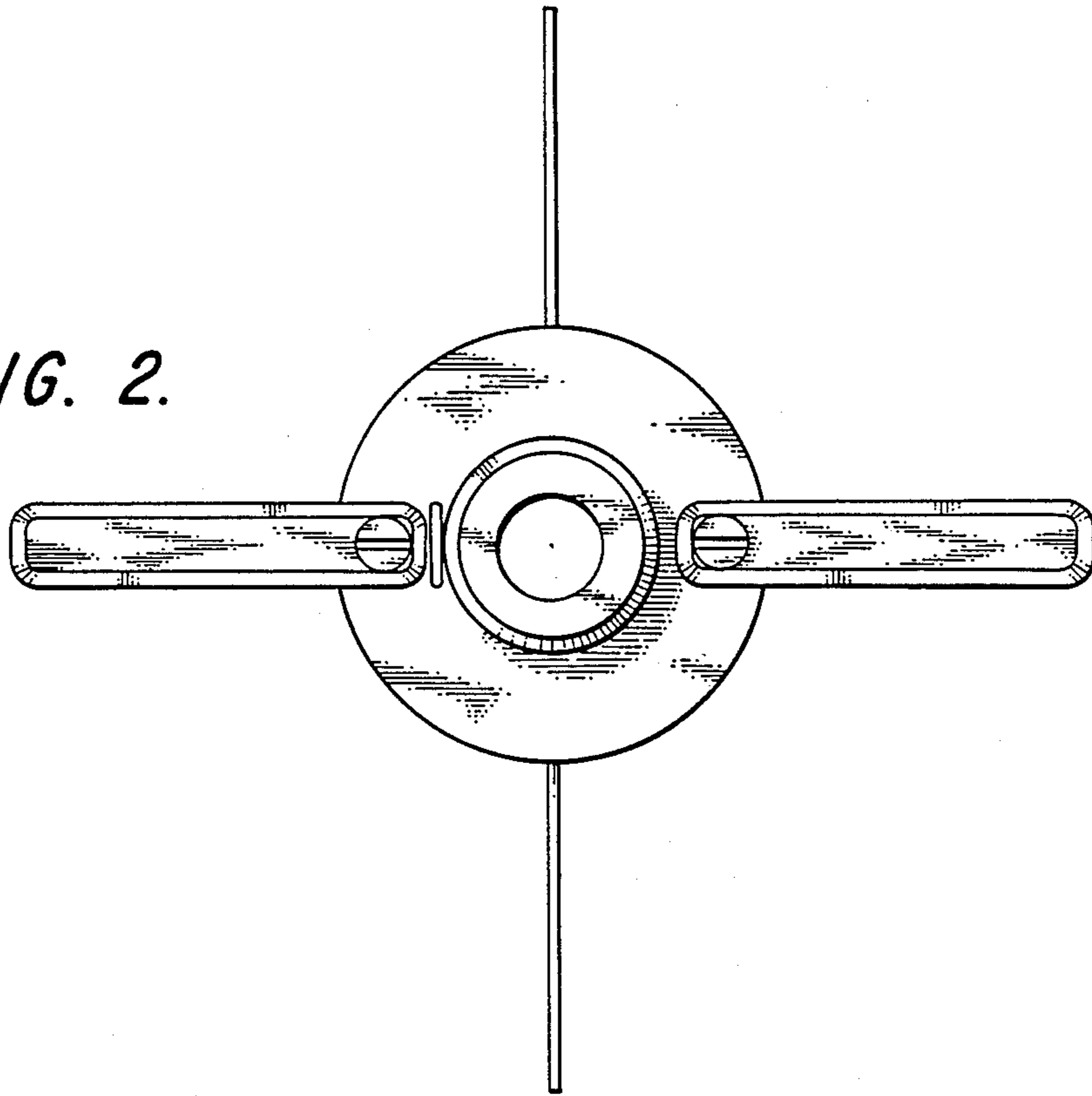
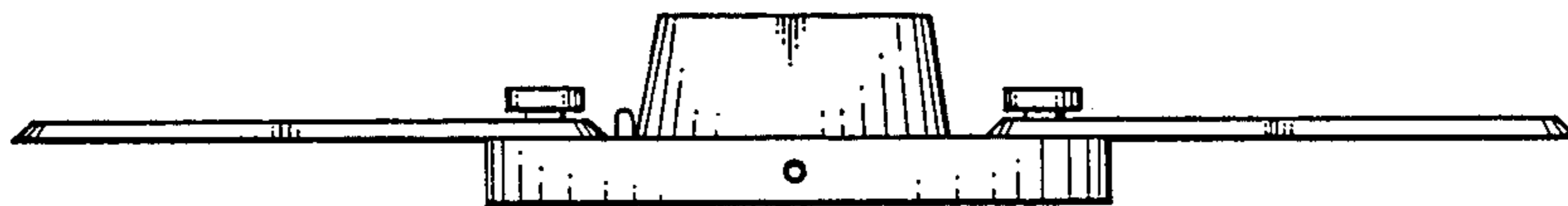


FIG. 3.



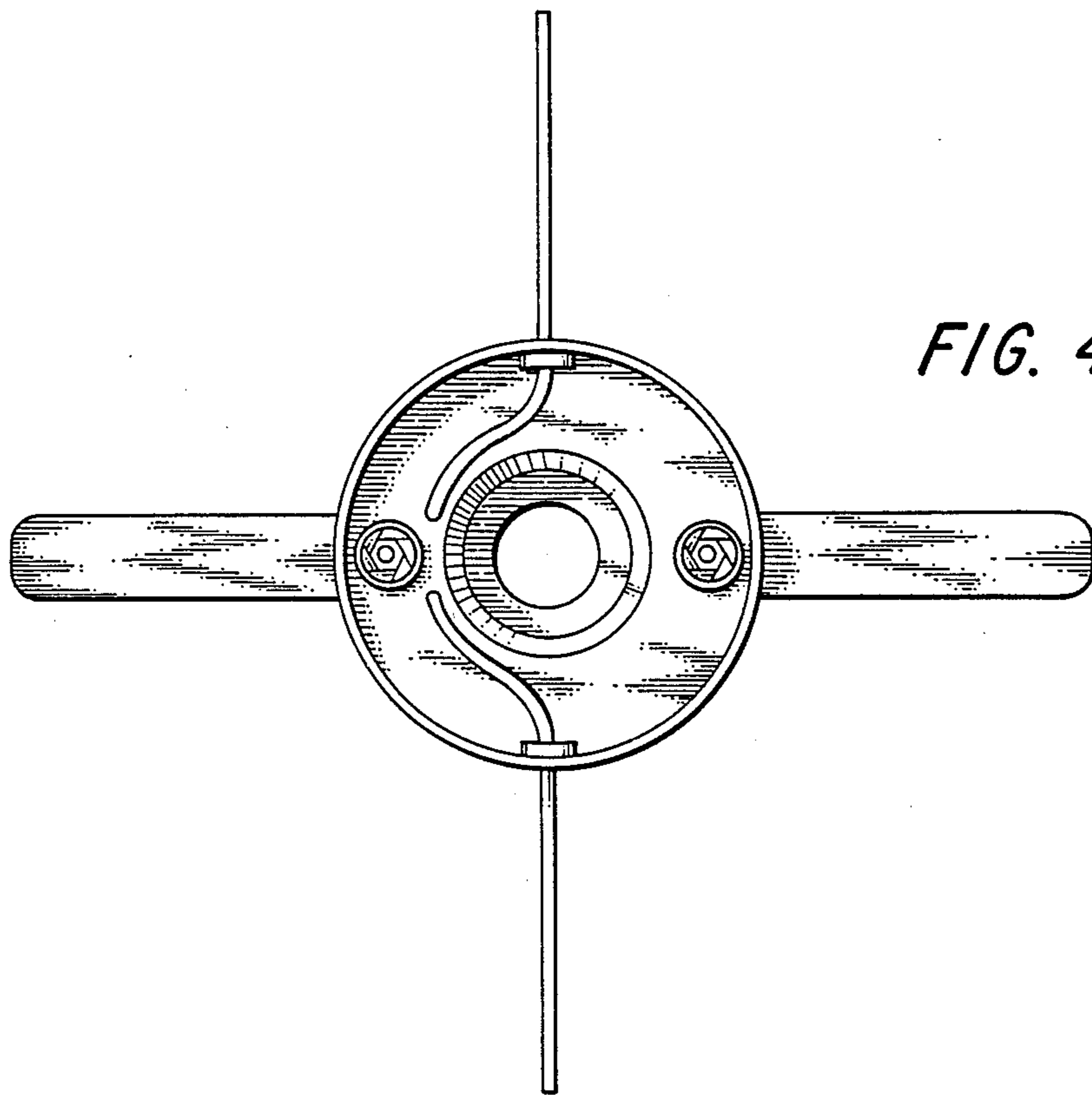


FIG. 4.

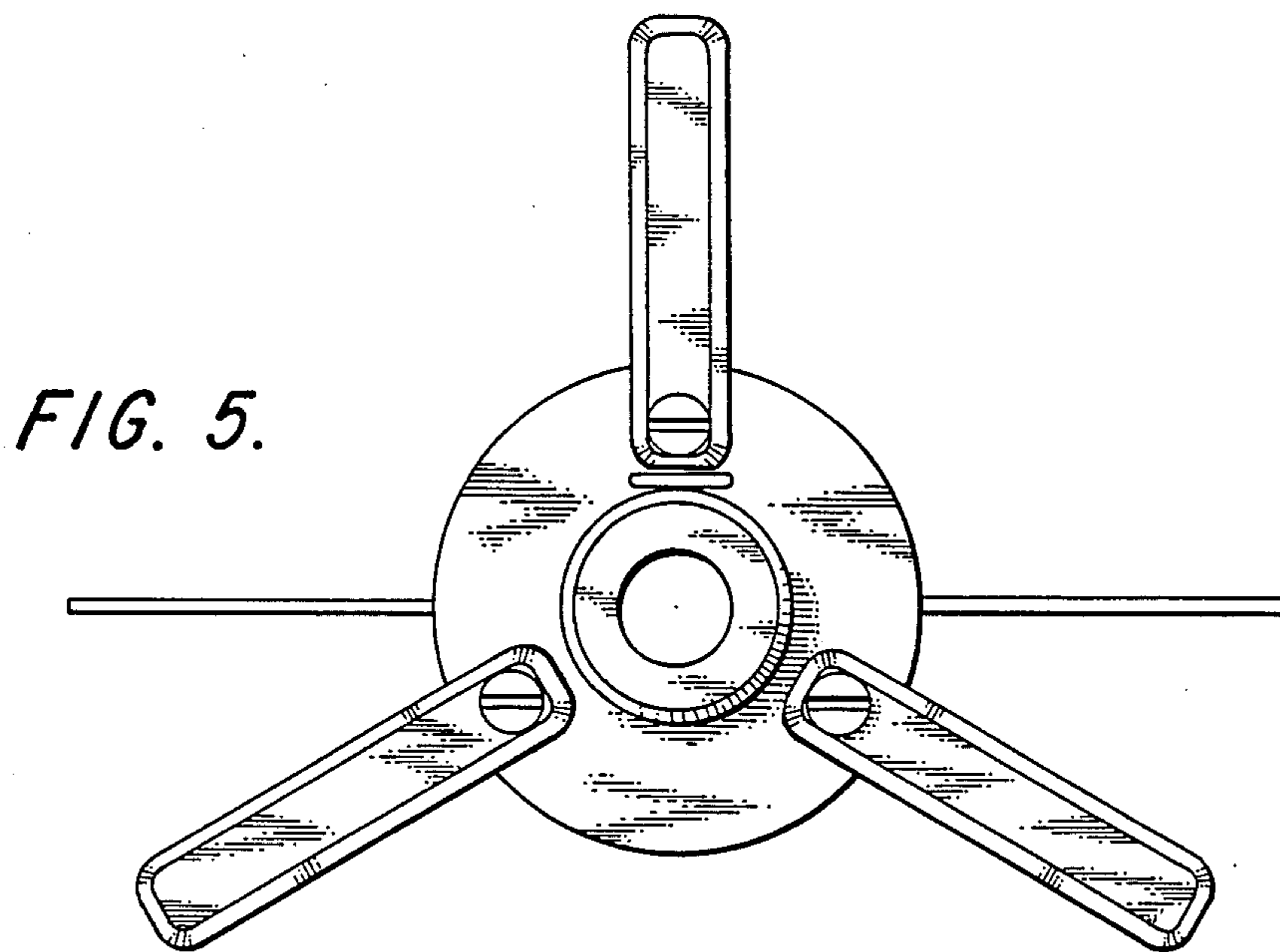


FIG. 5.

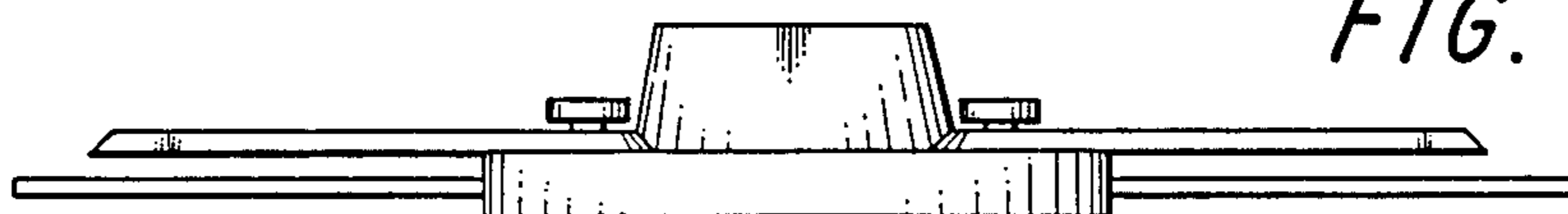


FIG. 6.

FIG. 7.

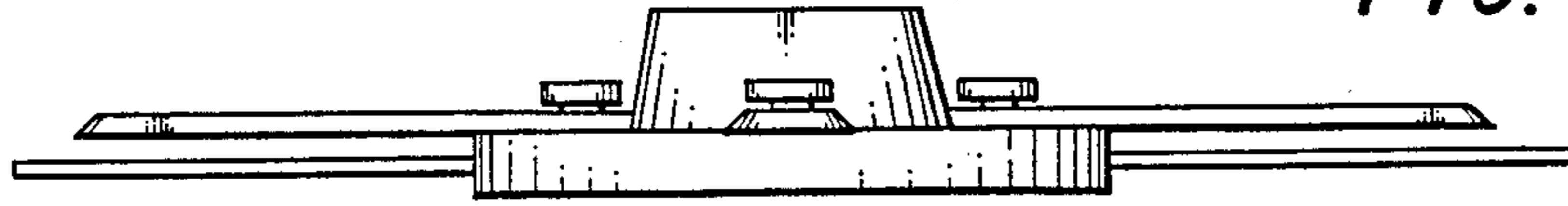


FIG. 8.

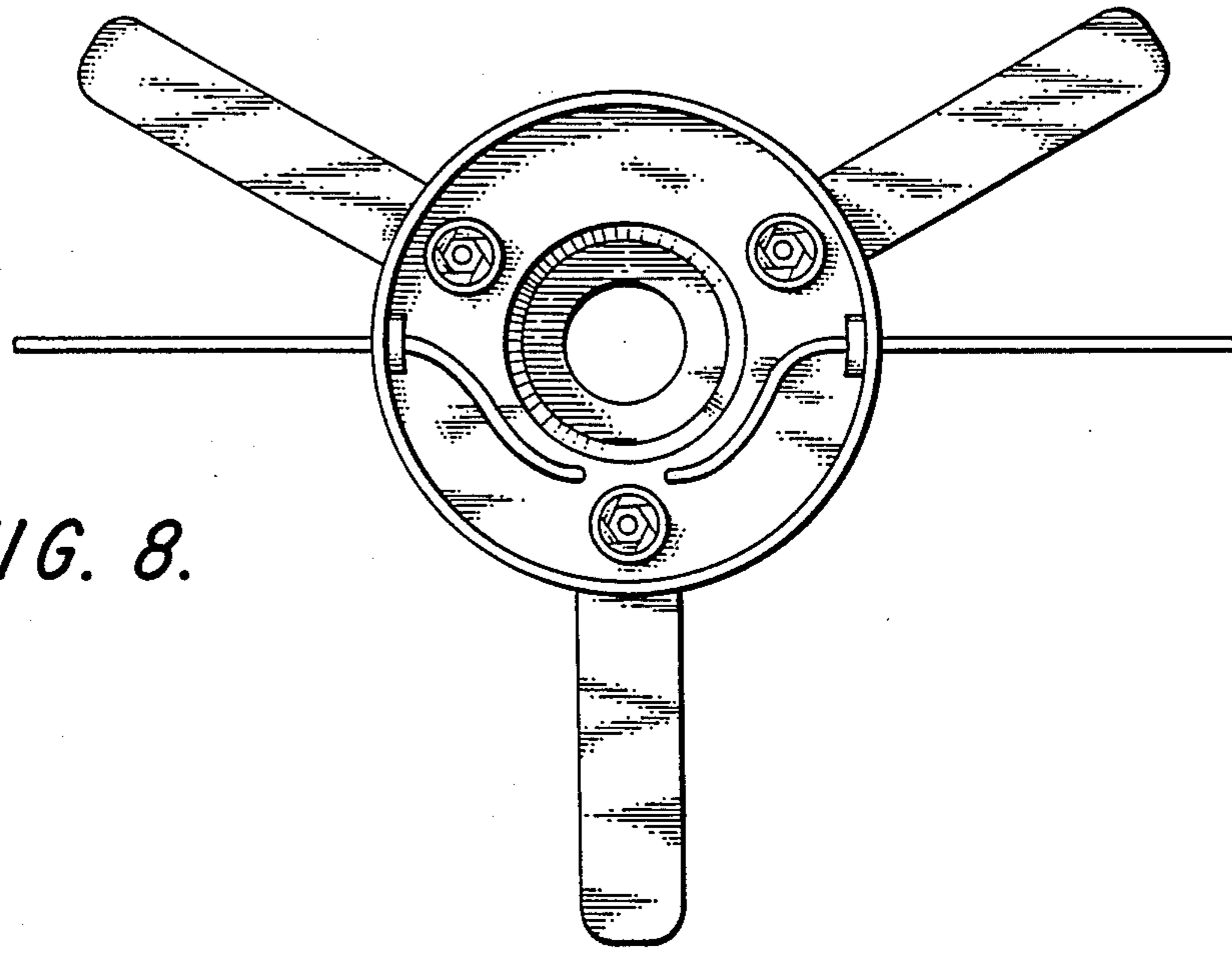


FIG. 9.

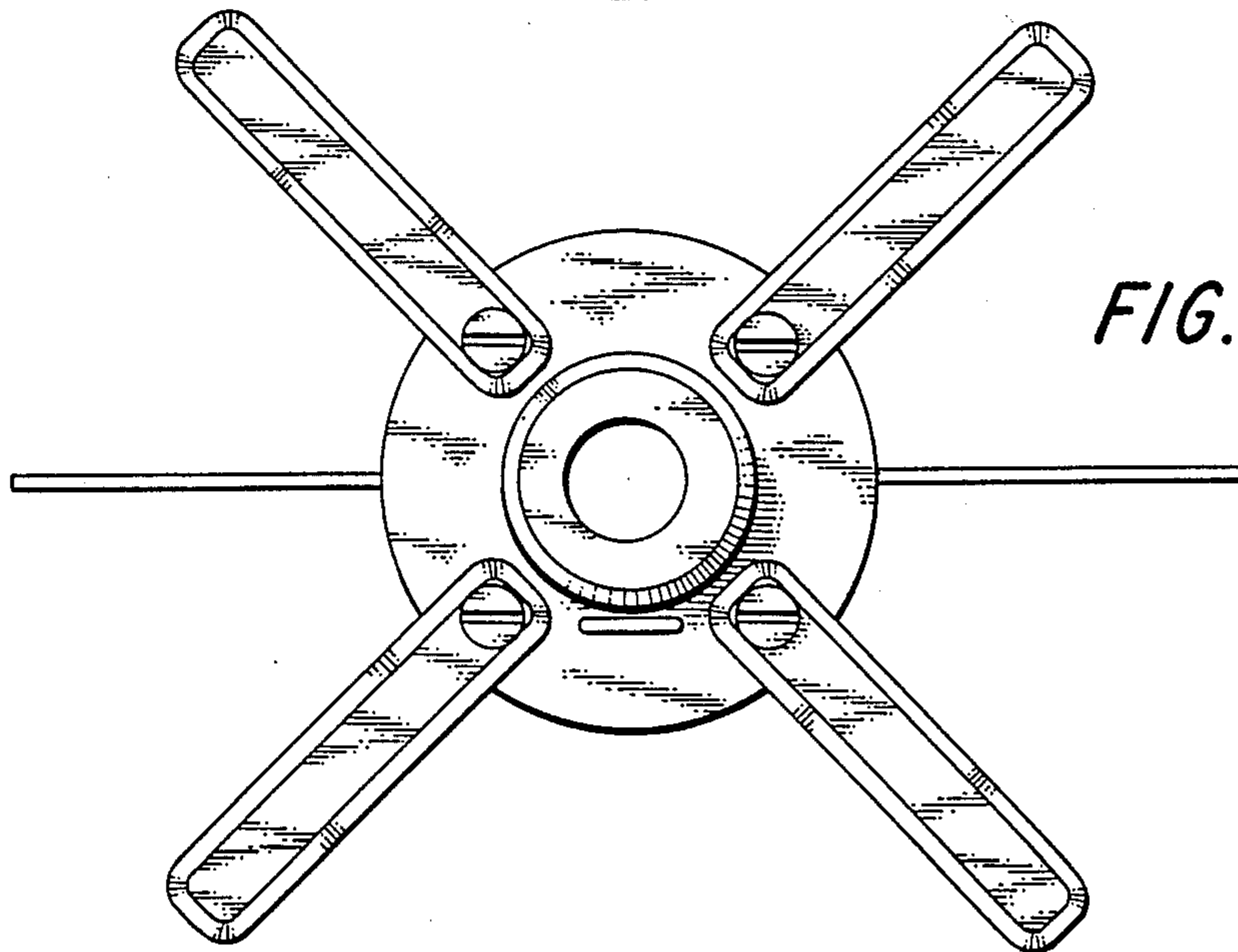
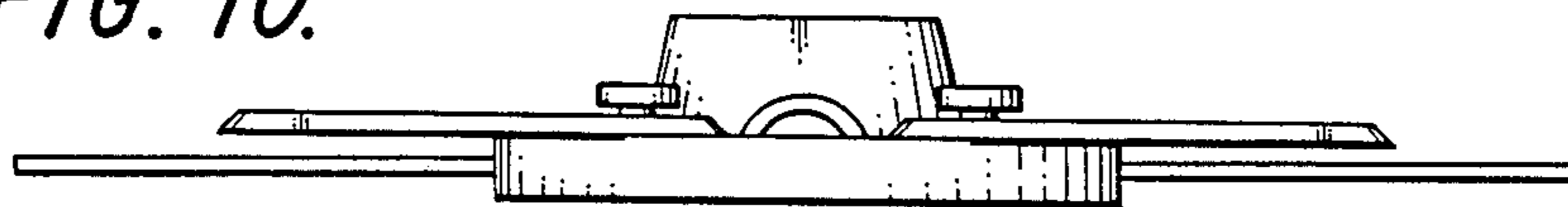


FIG. 10.



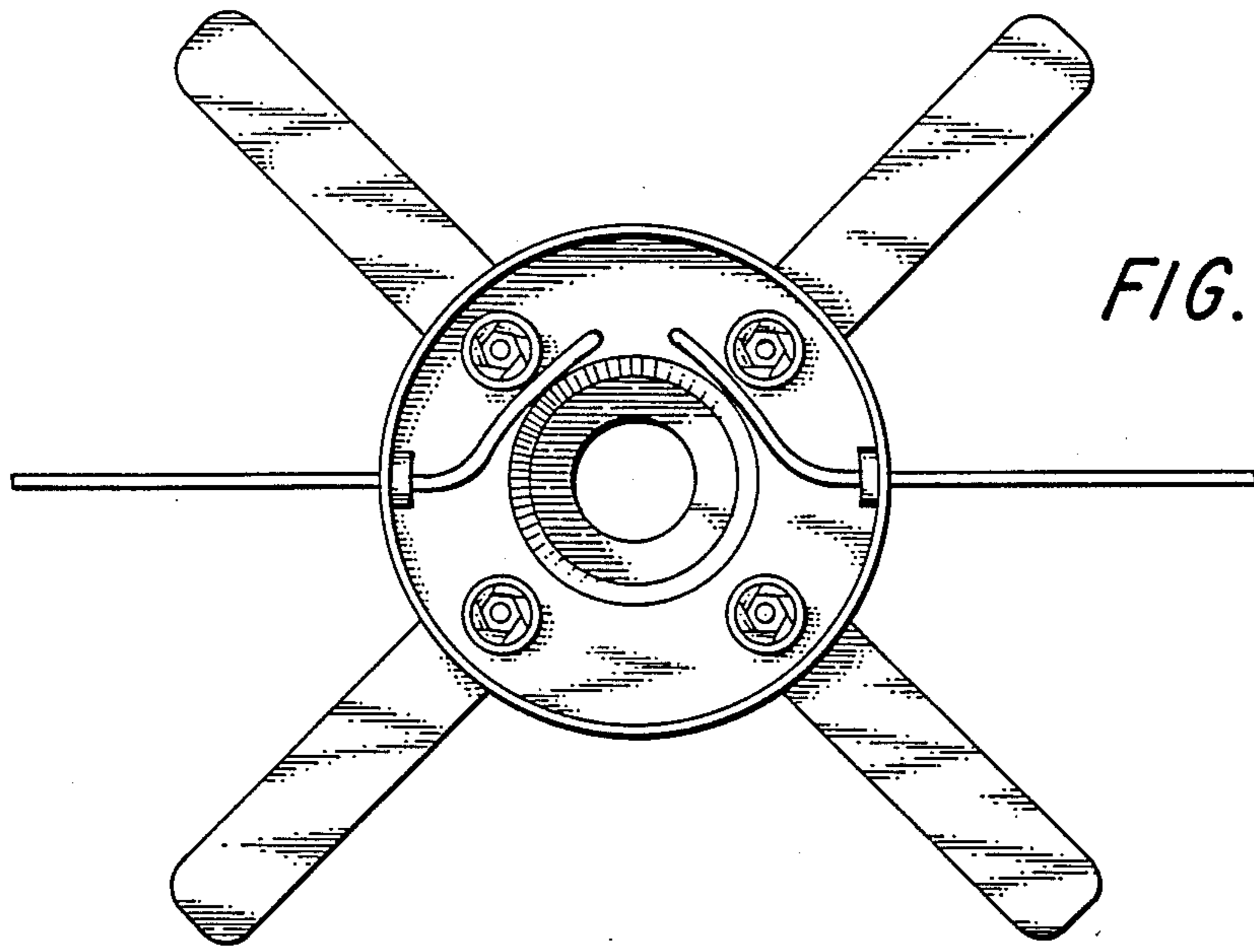


FIG. 11.

FIG. 12.

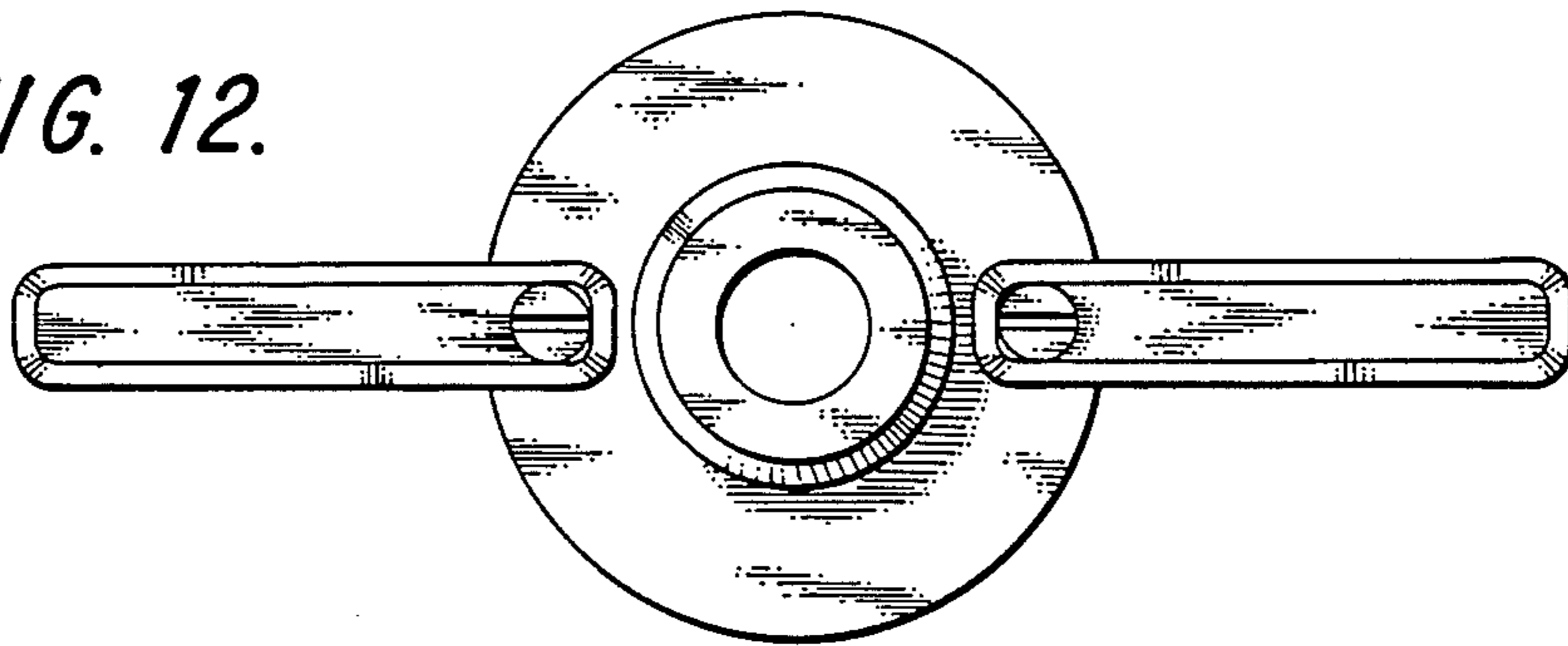


FIG. 13.

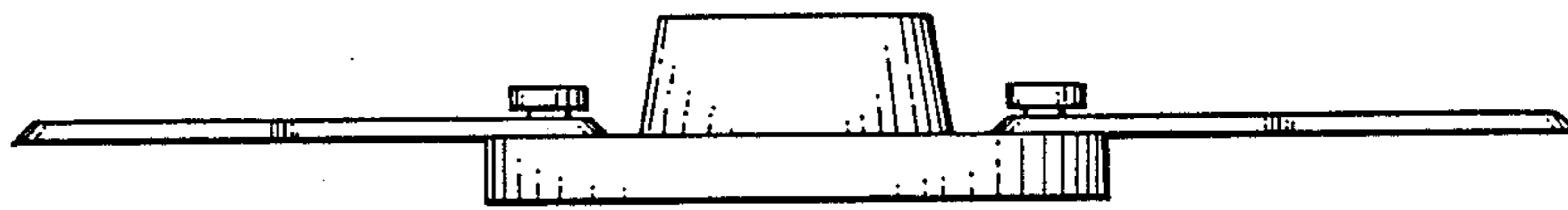
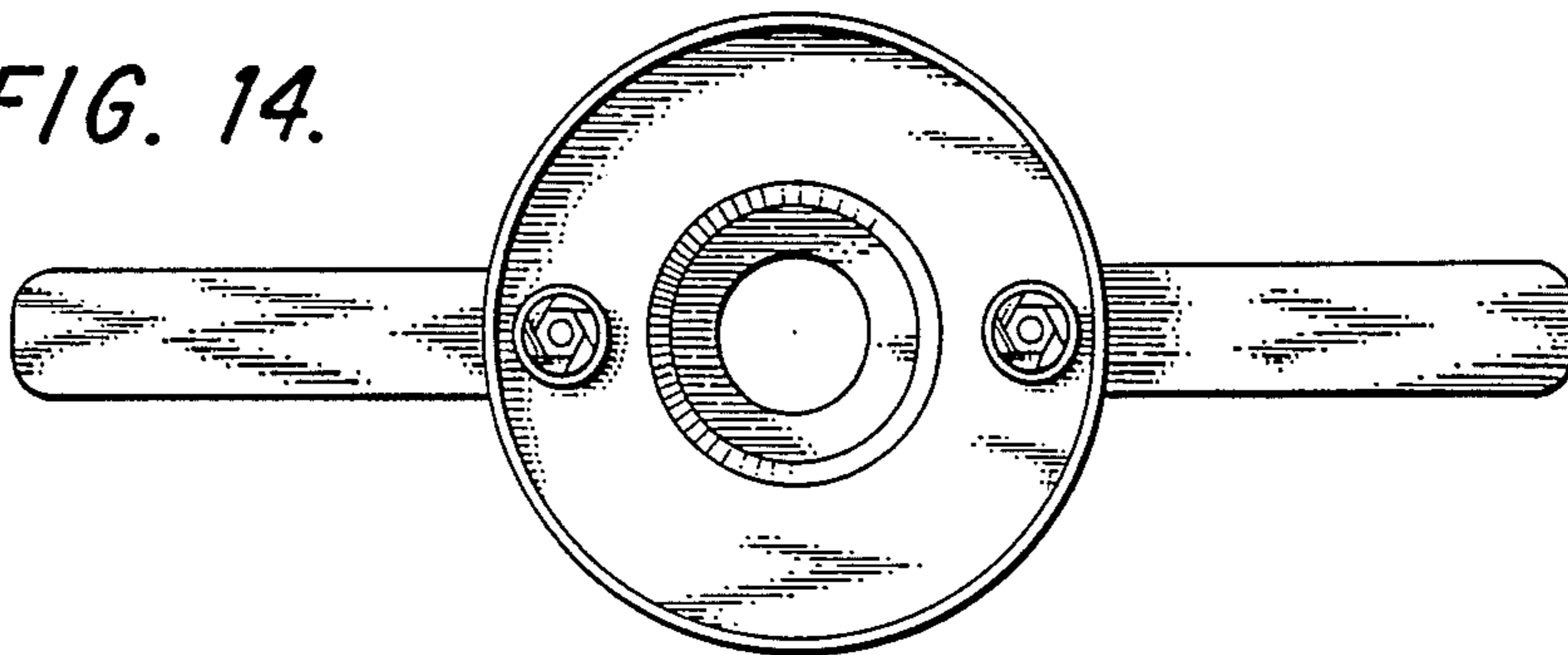


FIG. 14.



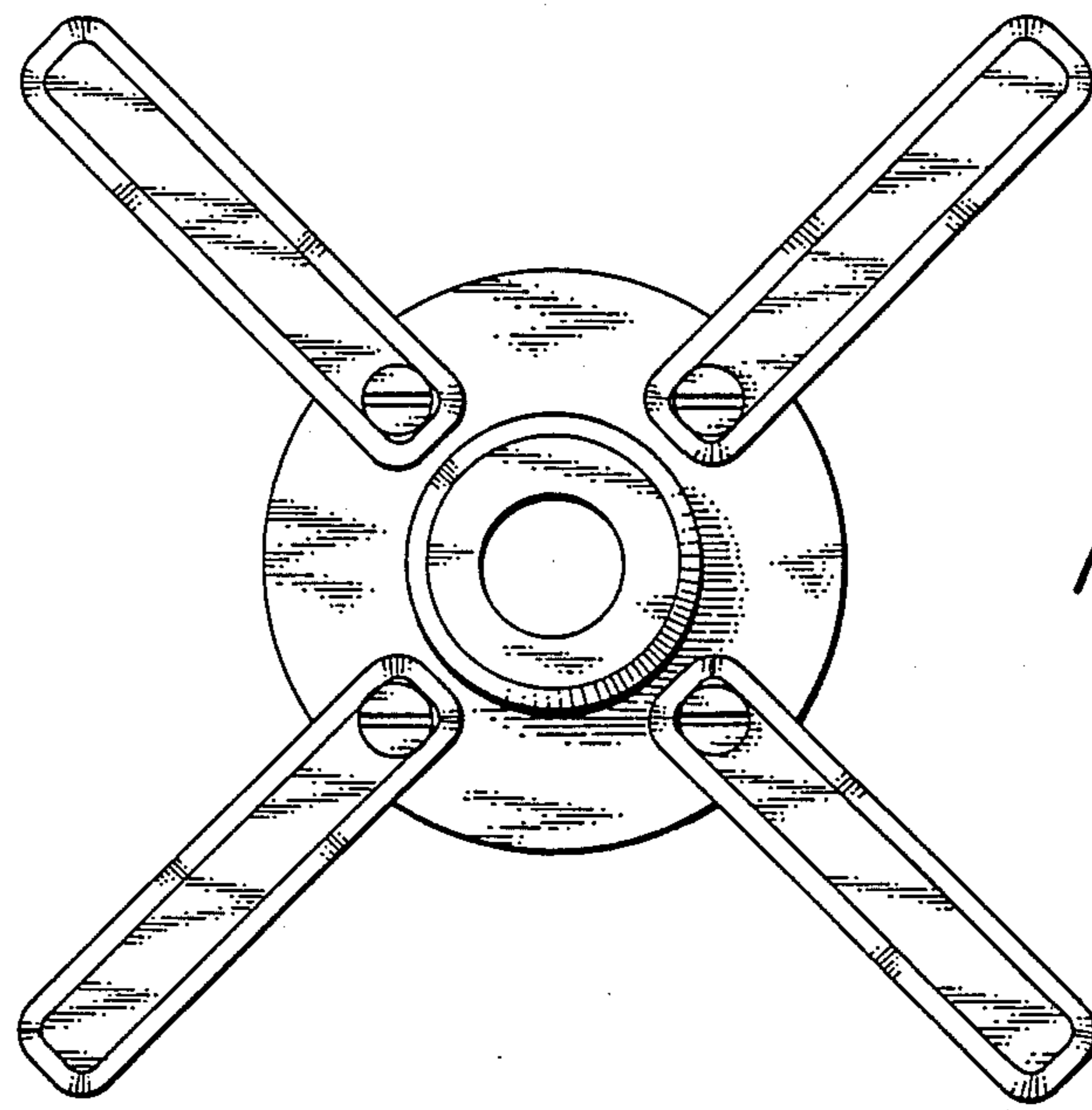


FIG. 15.

FIG. 16.

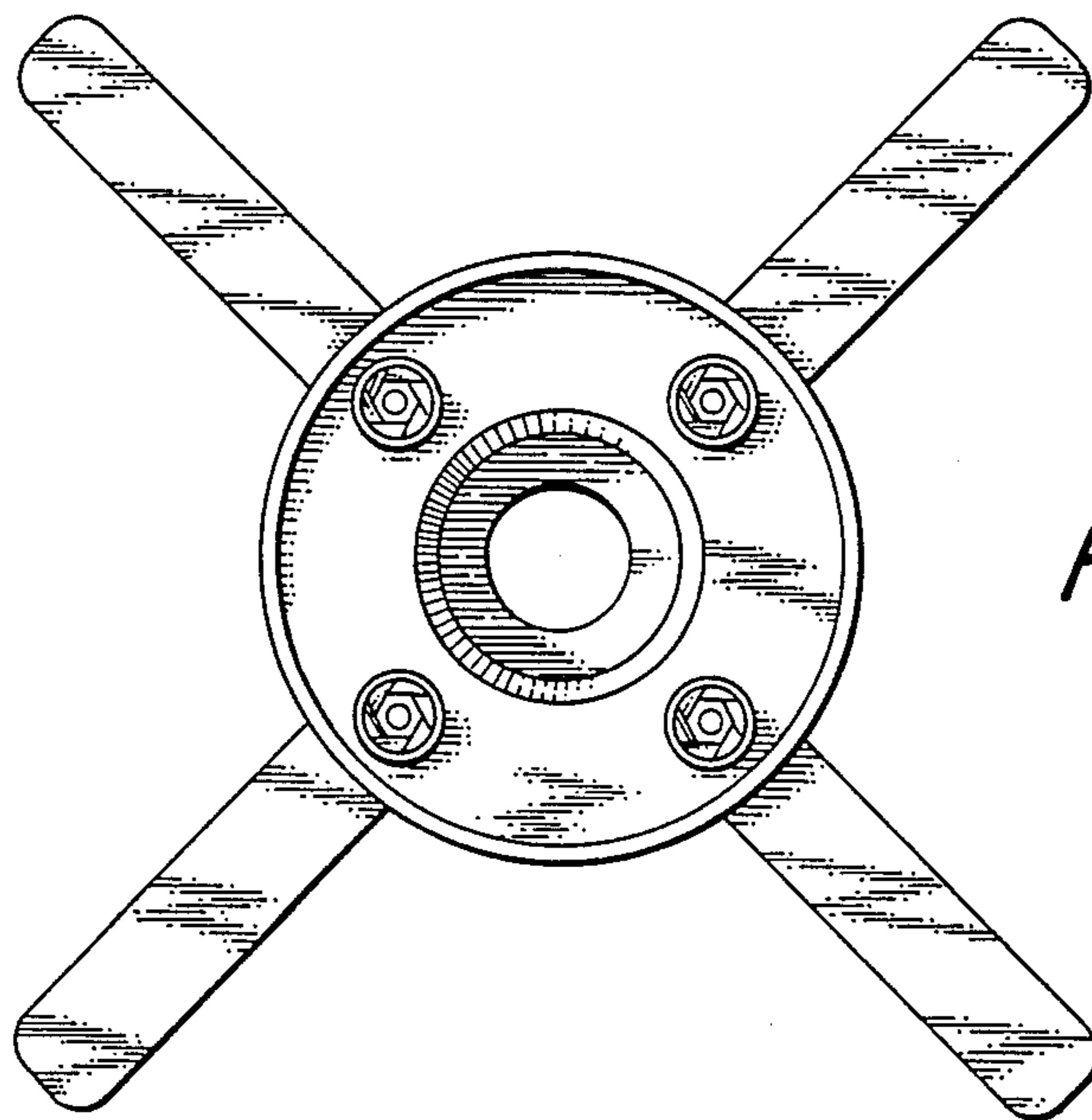


FIG. 17.