

[54] **MOBILE RESTAURANT**

[76] **Inventor: Maurice Cohen, 45 Shore Dr., Miami, Fla. 33133**

[\*\*] **Term: 14 Years**

[21] **Appl. No.: 876,895**

[22] **Filed: Jun. 19, 1986**

[52] **U.S. Cl. .... D7/334**

[58] **Field of Search ..... D7/323, 334, 347, 404, D7/325; 126/273 R; D12/102; D34/17, 19-20; 296/22, 24 A**

[56] **References Cited**

**U.S. PATENT DOCUMENTS**

D. 203,531	1/1966	Cassie .....	D34/20
D. 228,063	8/1973	Keeshin et al. ....	D7/347
D. 230,715	3/1974	Horst .....	D34/20
D. 245,075	7/1977	Austin .....	D34/20
D. 294,534	3/1988	Hawthorn et al. ....	D34/19
2,771,318	11/1956	Jagsch .....	296/22

**OTHER PUBLICATIONS**

Foodservice Equipment Specialist, 11/1984, p. 64, "Merchandiser" middle of page.

*Primary Examiner*—Bruce W. Dunkins  
*Assistant Examiner*—Ruth Takemoto  
*Attorney, Agent, or Firm*—Salter & Michaelson

[57] **CLAIM**

The ornamental design for a mobile restaurant, substantially as shown and described.

**DESCRIPTION**

FIG. 1 is a side elevational view of a mobile restaurant showing my new design;

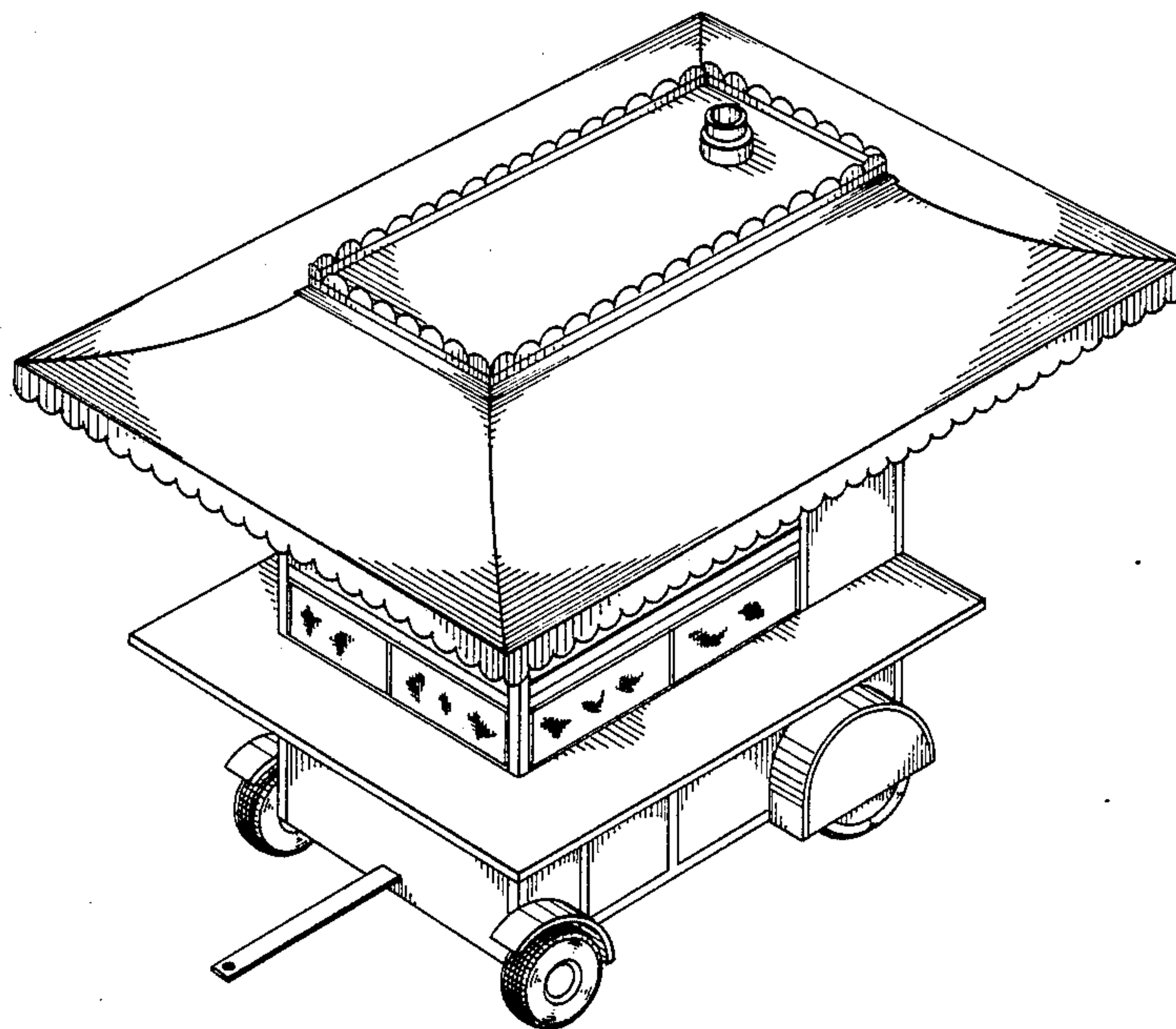
FIG. 2 is a top plan view thereof;

FIG. 3 is a front elevational view thereof; and

FIG. 4 is a rear elevational view thereof.

FIG. 5 is a top perspective view thereof.

The screen-like pattern shown in FIGS. 1, 3 and 5, is understood to repeat uniformly throughout the indicated area.



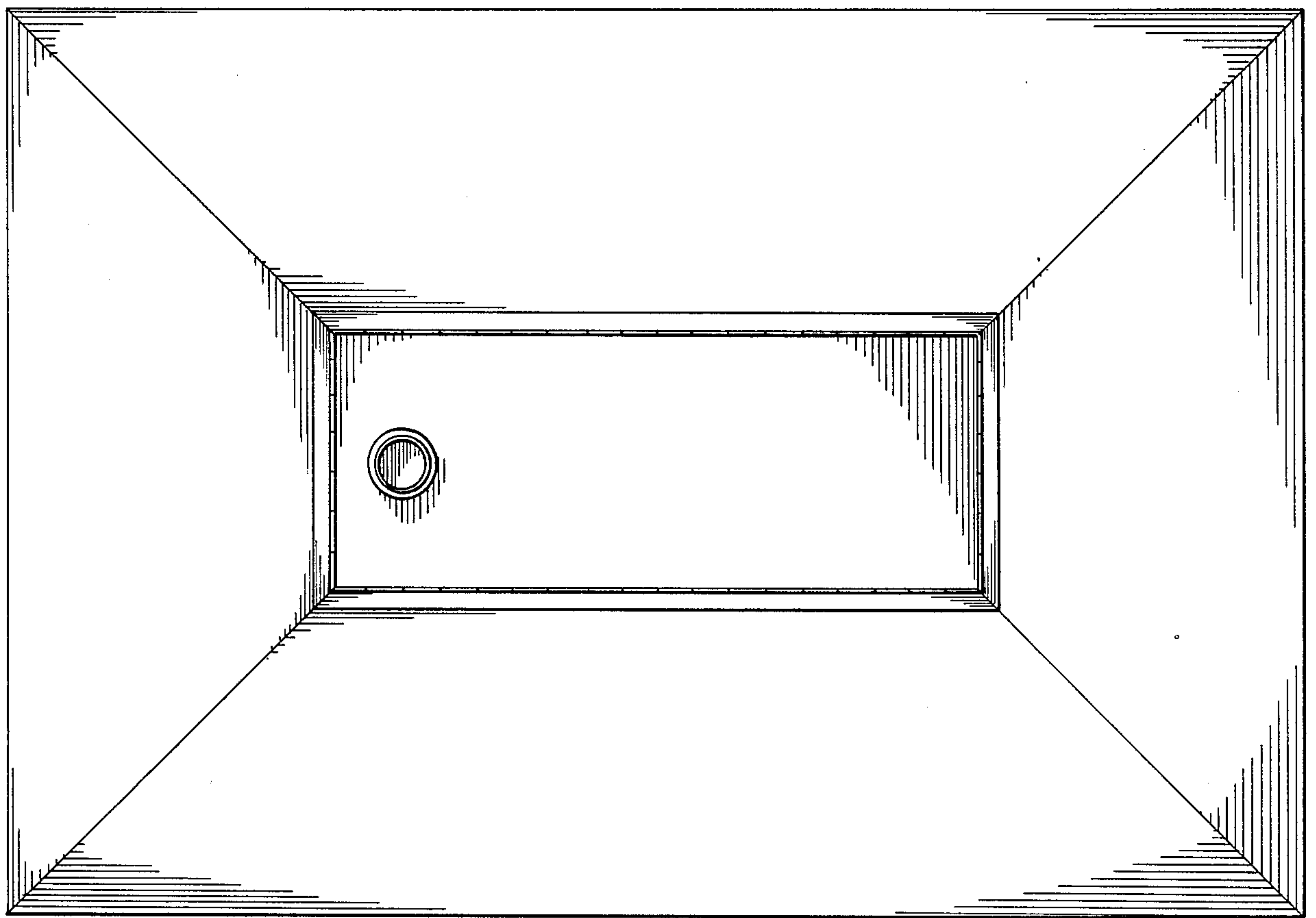
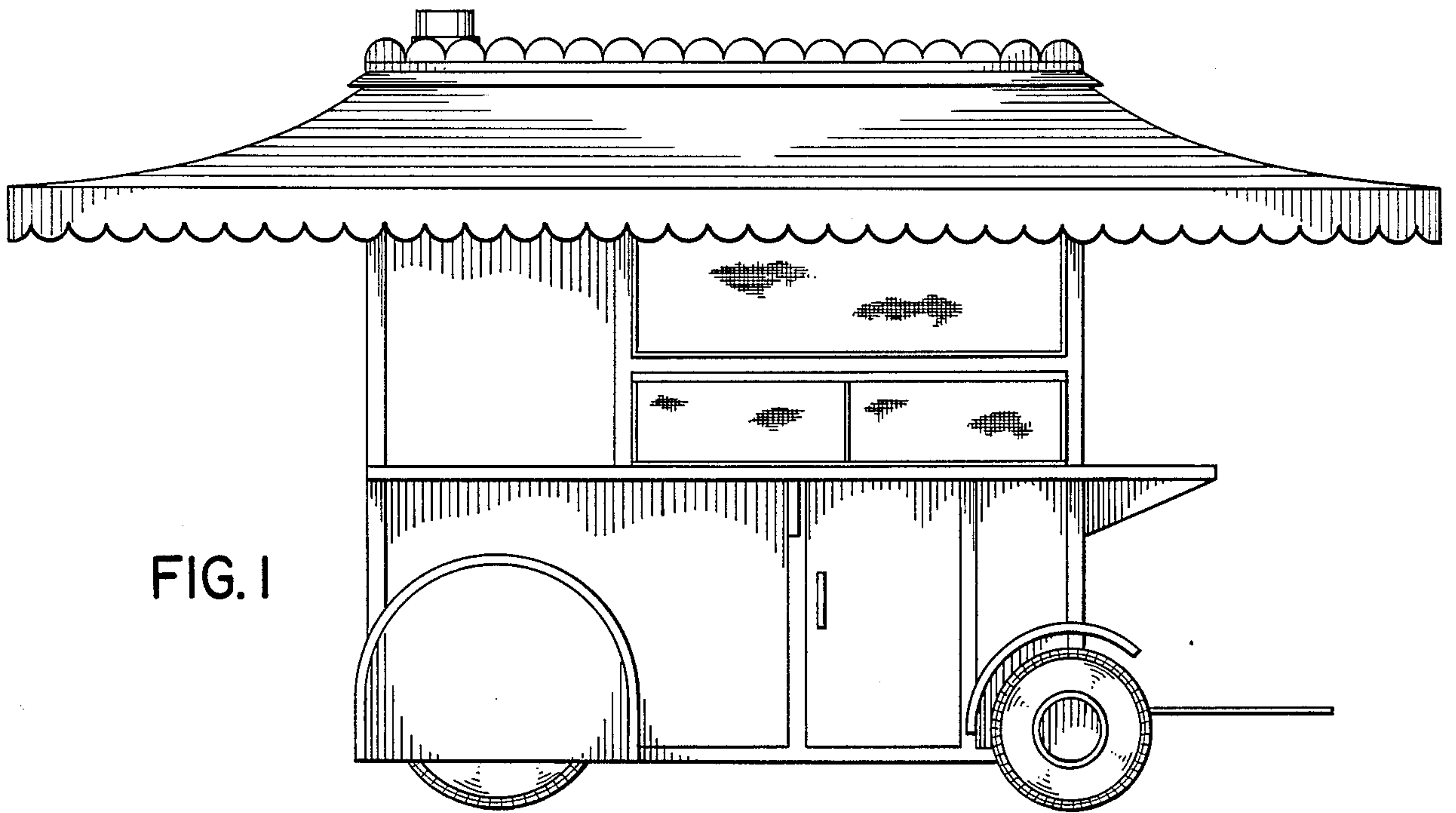


FIG. 2

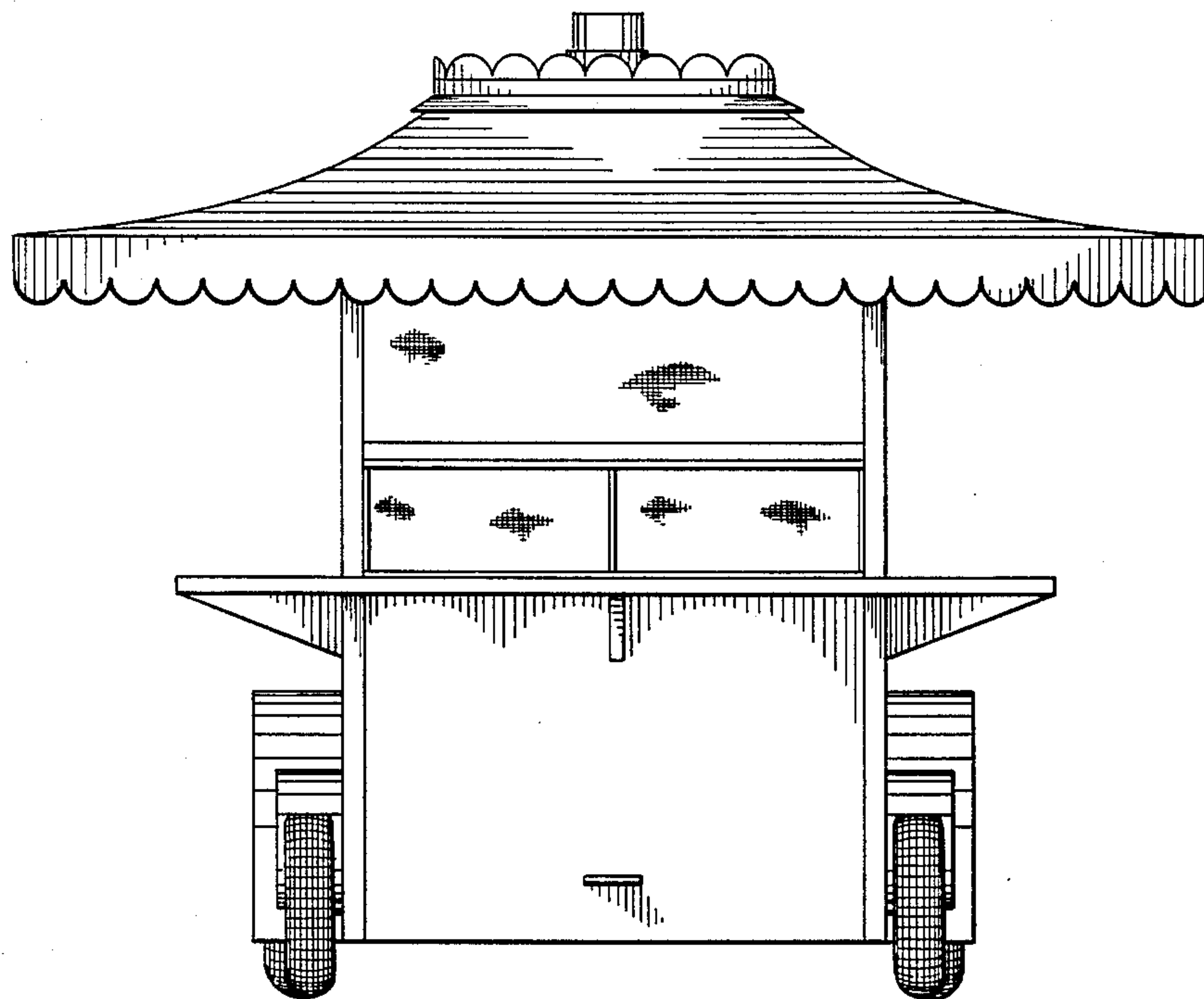


FIG. 3

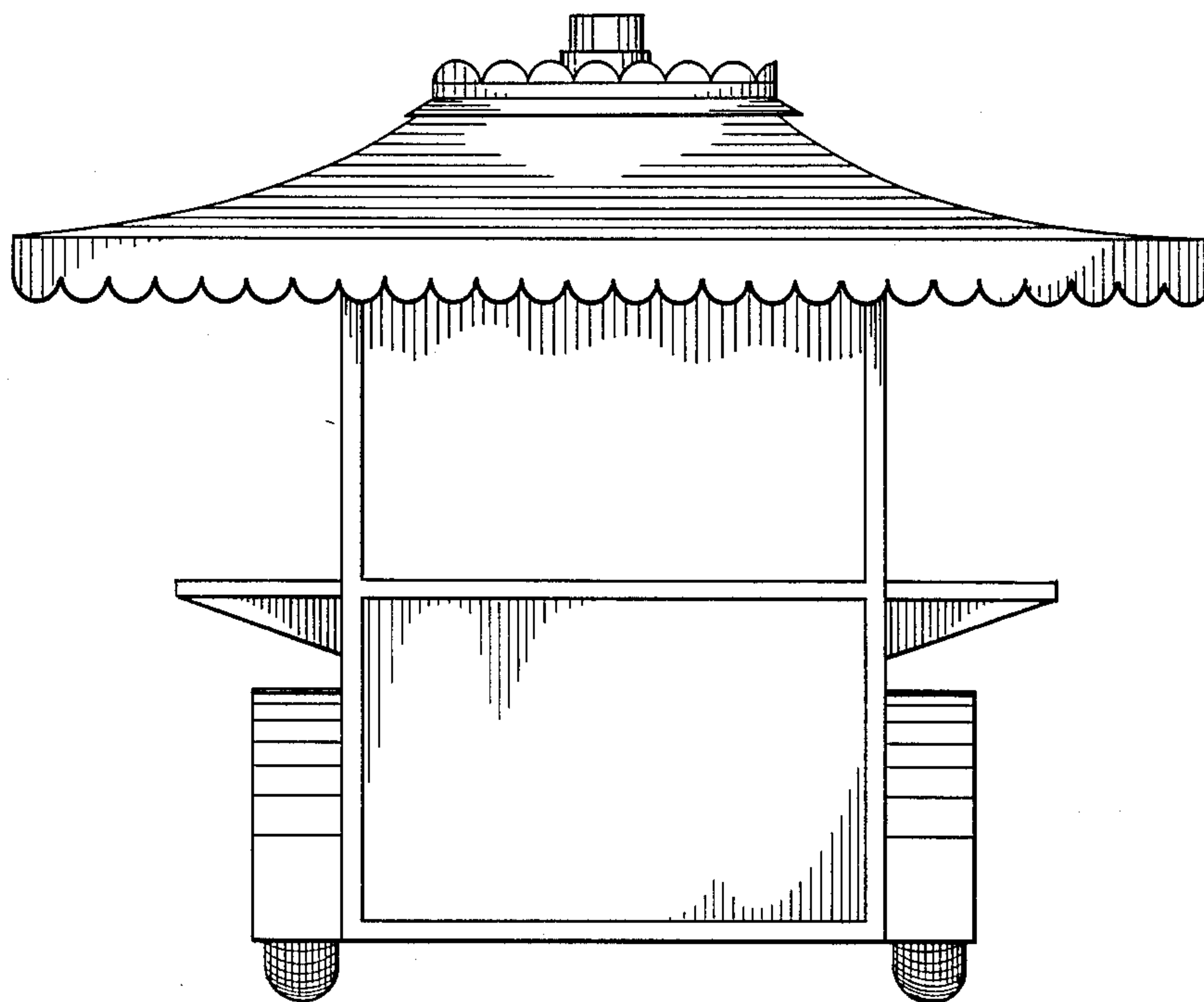


FIG. 4

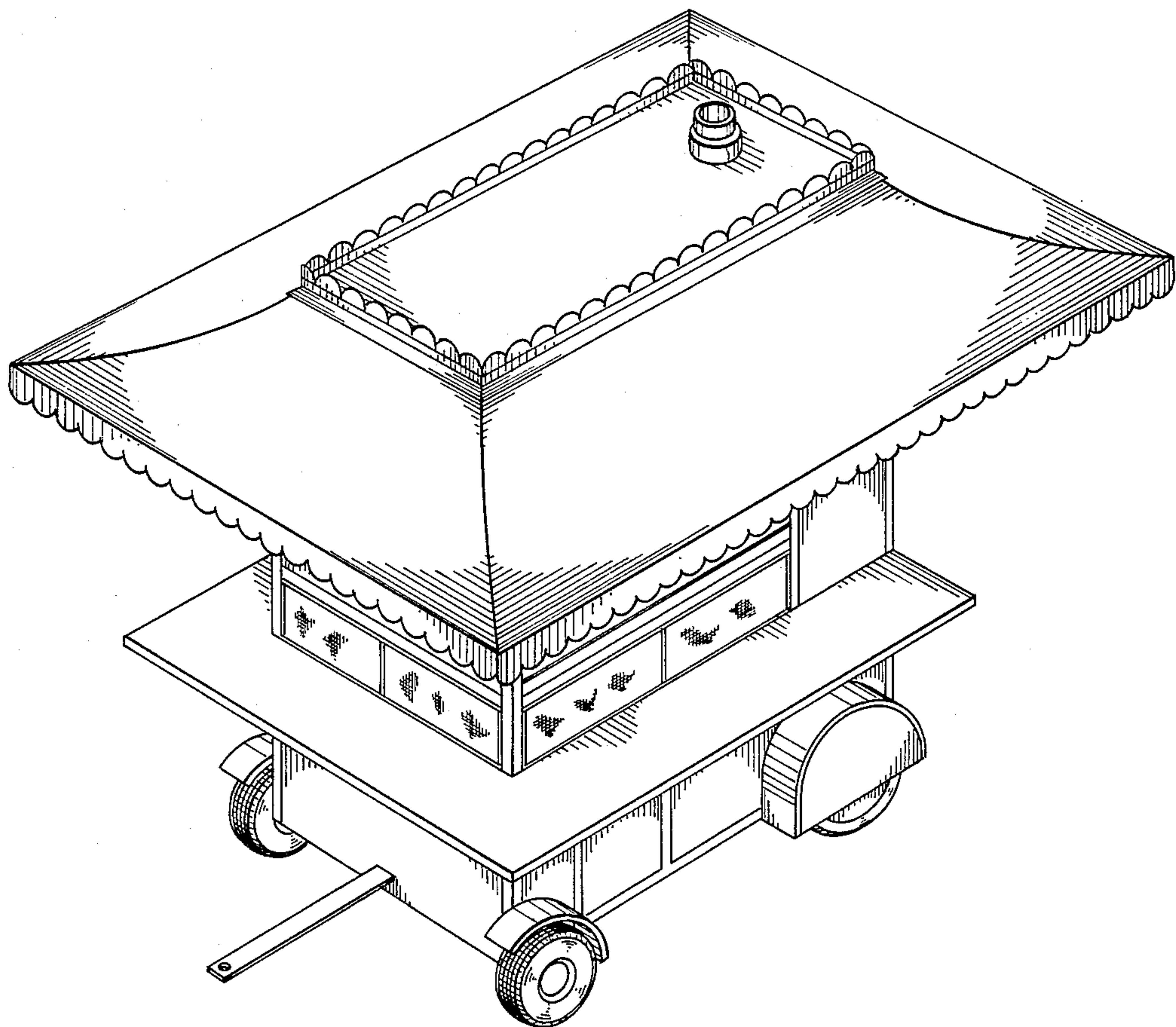


FIG. 5