

[54] **PORTABLE GRILL**  
[76] **Inventor: Adam L. Oliphant, 1452 D St., NE., Washington, D.C. 20002**  
[\*\*] **Term: 14 Years**  
[21] **Appl. No.: 35,948**  
[22] **Filed: Apr. 8, 1987**  
[52] **U.S. Cl. .... D7/332**  
[58] **Field of Search ..... D7/331-333, D7/337-338, 347-348; 126/25 R, 25 A, 25 AA, 25 B, 27, 29-30, 37 R, 38, 41 R, 9 R, 9 B, 275 R**

3,395,691 8/1968 Skarsten ..... 126/25 R  
4,706,642 11/1987 Sims et al. .... 126/9 B  
4,719,899 1/1988 Burkhart ..... 126/25 A

*Primary Examiner*—Bruce W. Dunkins  
*Assistant Examiner*—Ruth Takemoto  
*Attorney, Agent, or Firm*—David H. Semmes

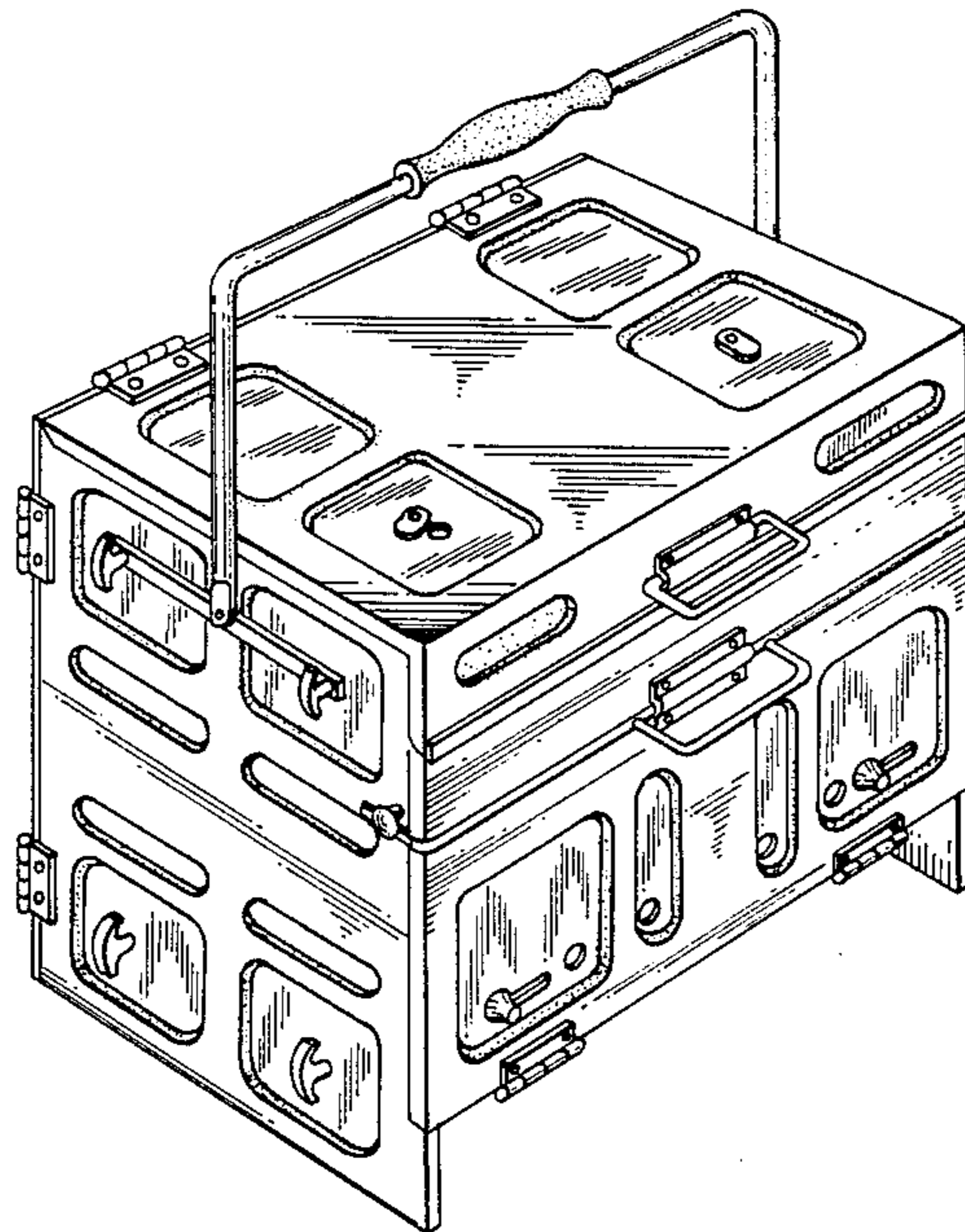
[57] **CLAIM**

The ornamental design for a portable grill, as shown and described.

**DESCRIPTION**

FIG. 1 is a perspective view of a portable grill showing my new design;  
FIG. 2 is a top plan view thereof;  
FIG. 3 is a front elevational view thereof;  
FIG. 4 is a rear elevational view thereof; and  
FIG. 5 is a bottom plan view thereof; and  
FIG. 6 is an end elevational view thereof, the opposite end being a mirror image.

[56] **References Cited**  
**U.S. PATENT DOCUMENTS**  
2,985,164 5/1961 Imoto ..... 126/9 R  
3,096,706 7/1963 Cardwell ..... 126/25 A  
3,105,483 10/1963 Bryan ..... 126/25 A



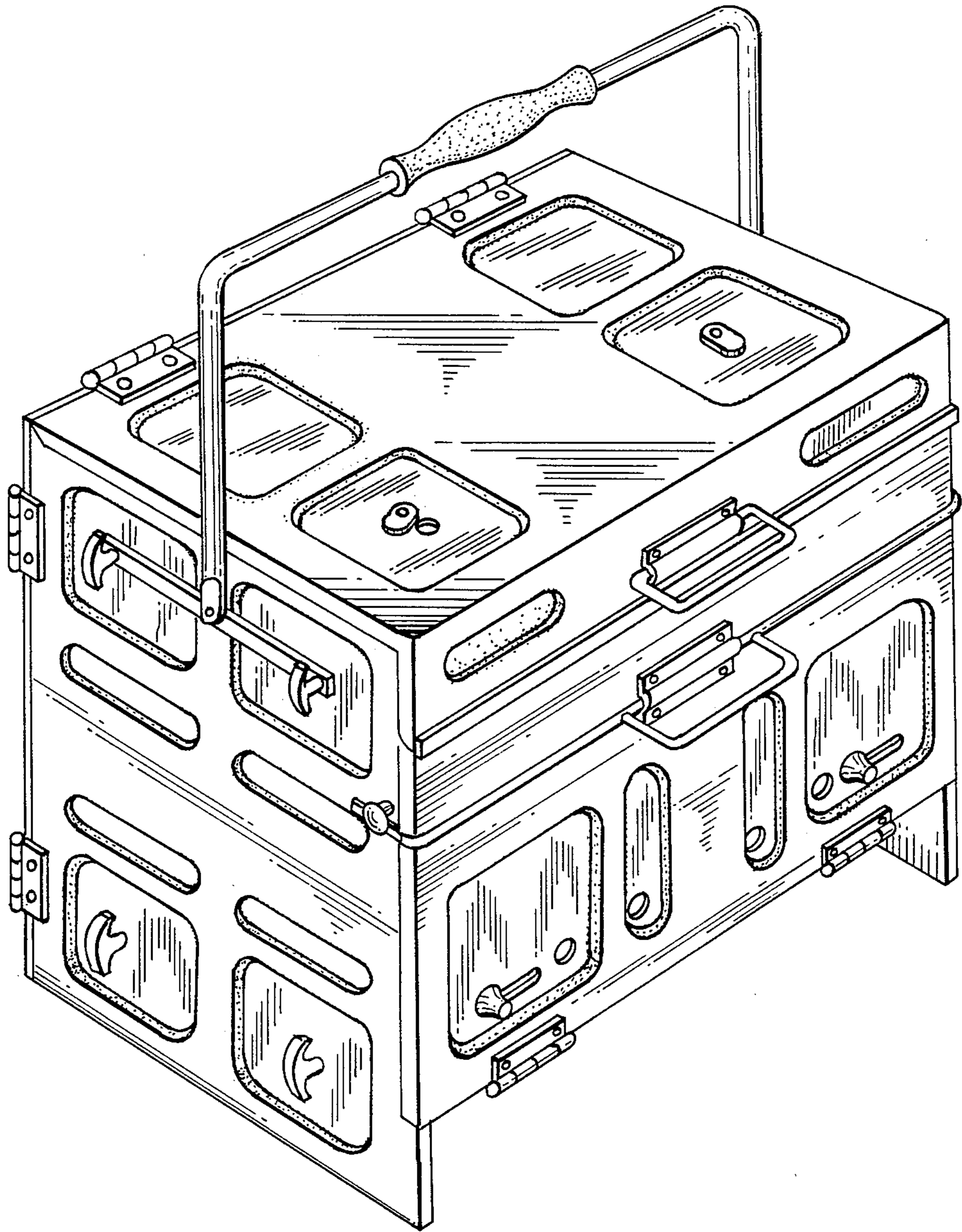


FIG. 1

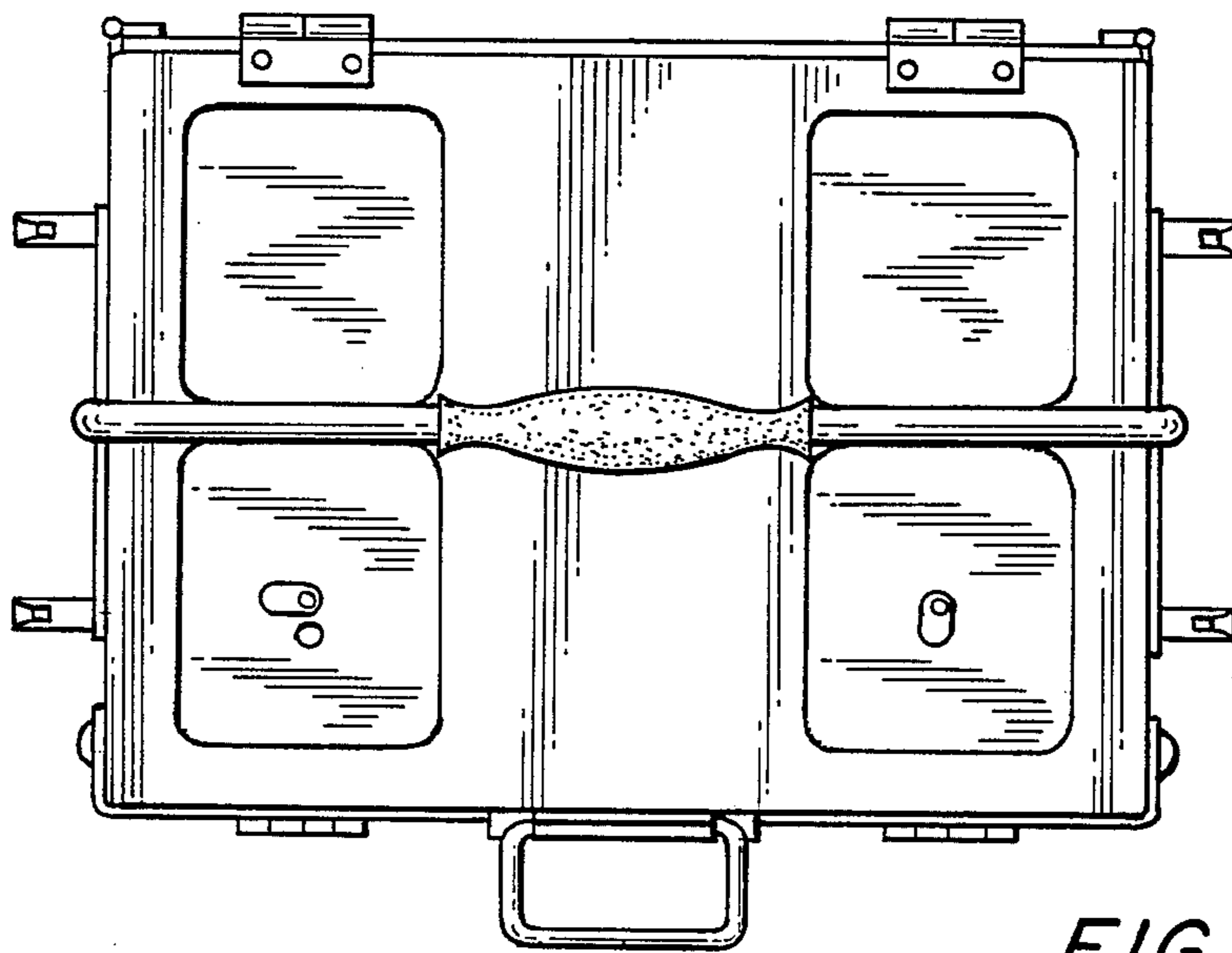


FIG. 2

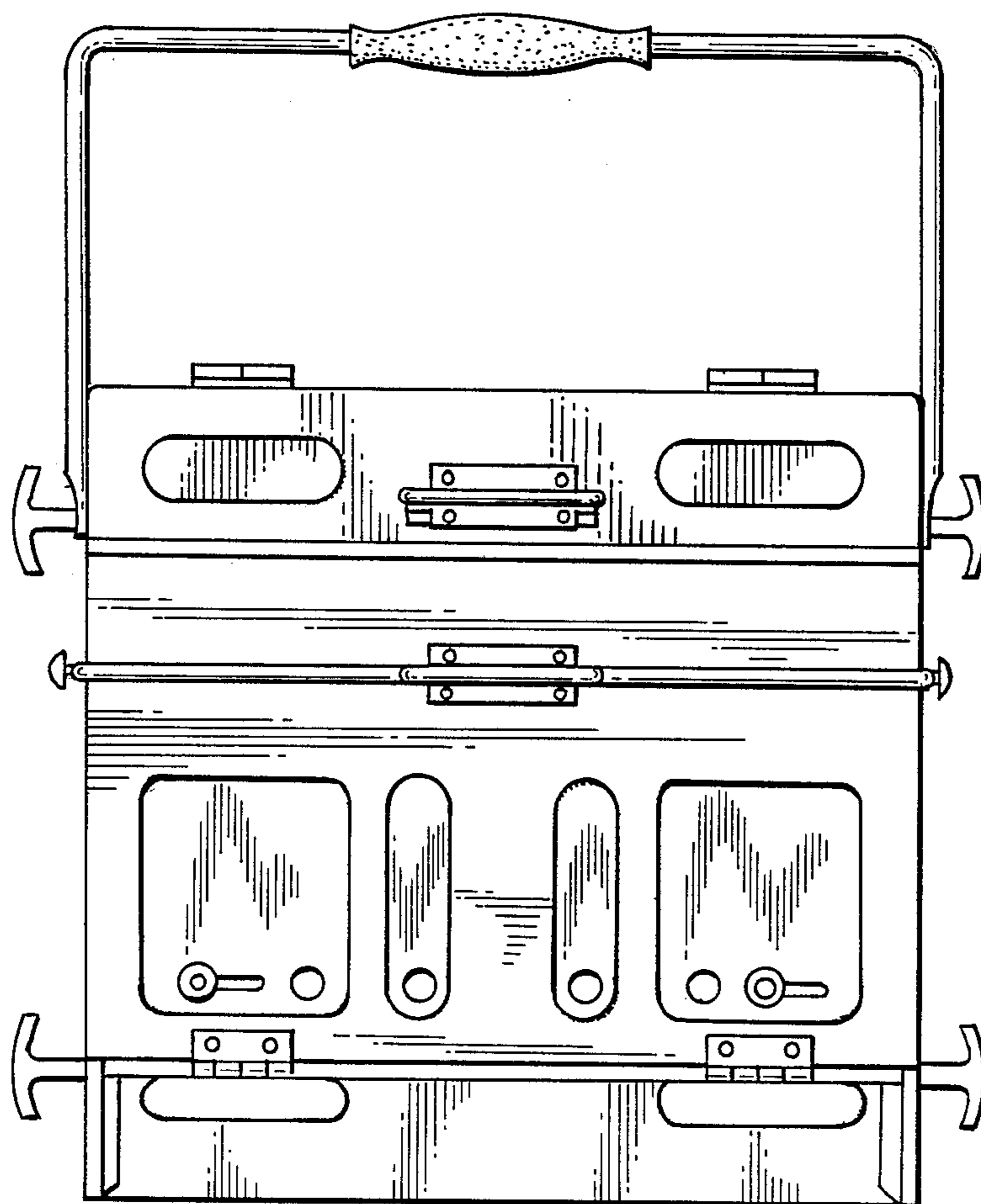


FIG. 3

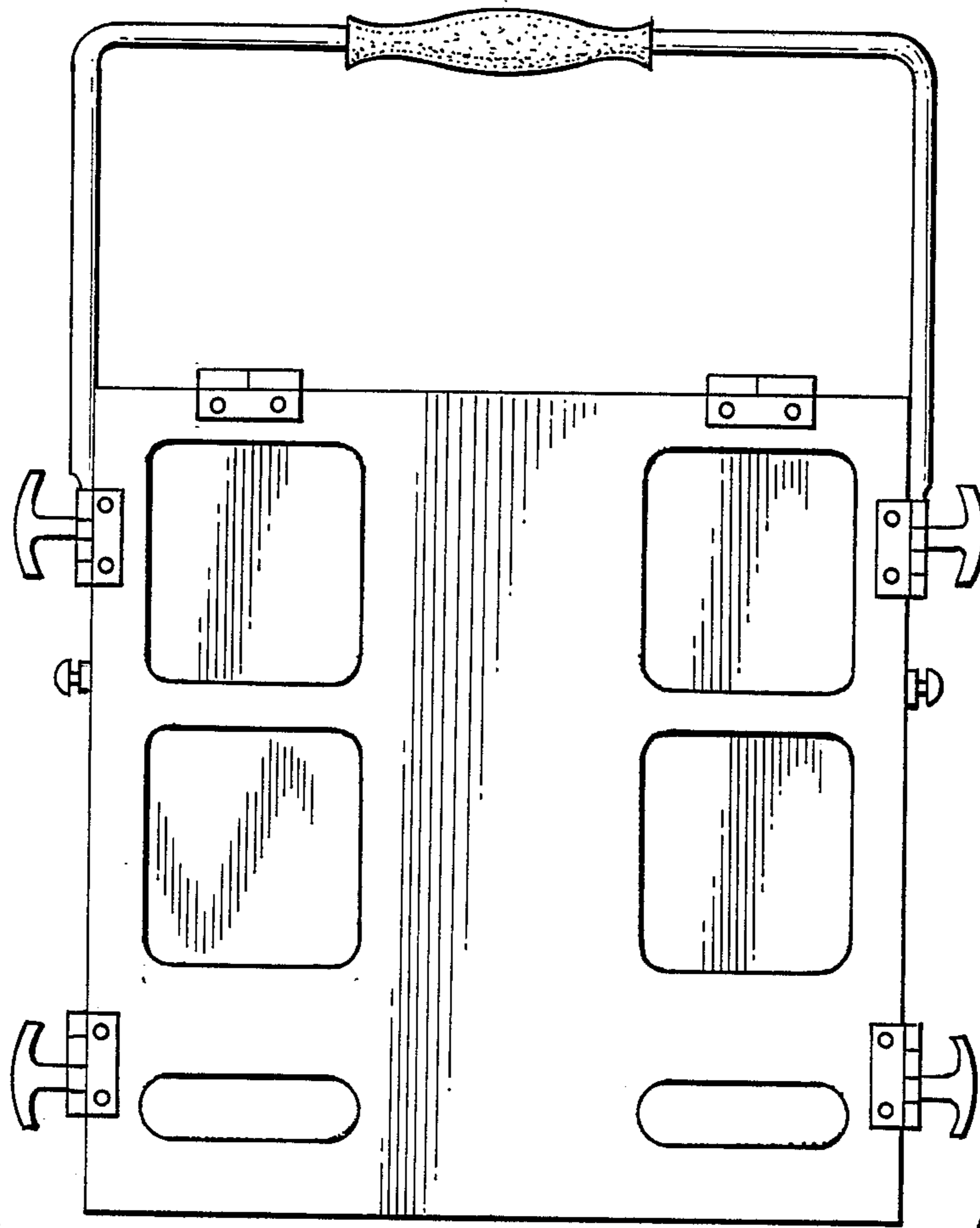


FIG. 4

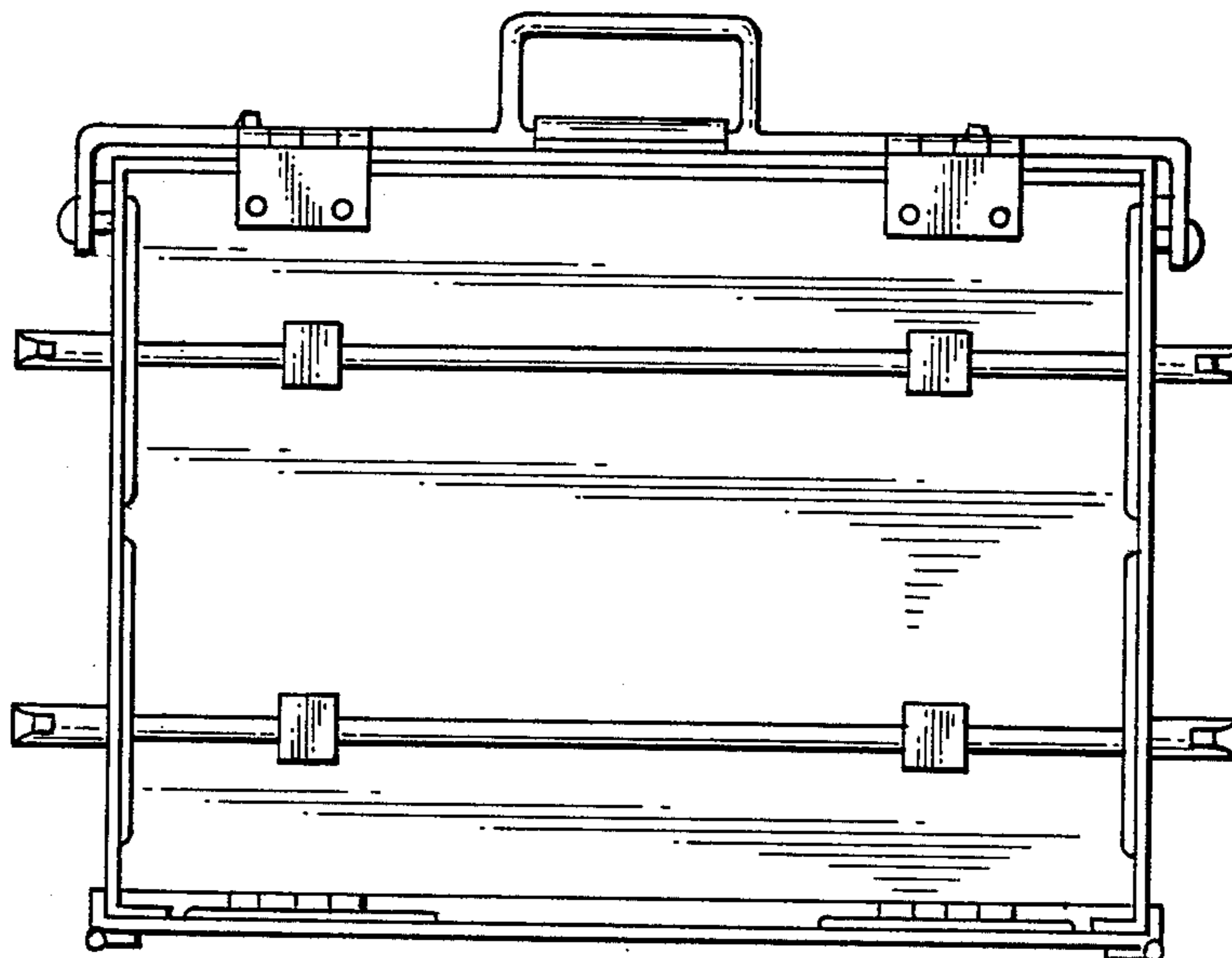


FIG. 5

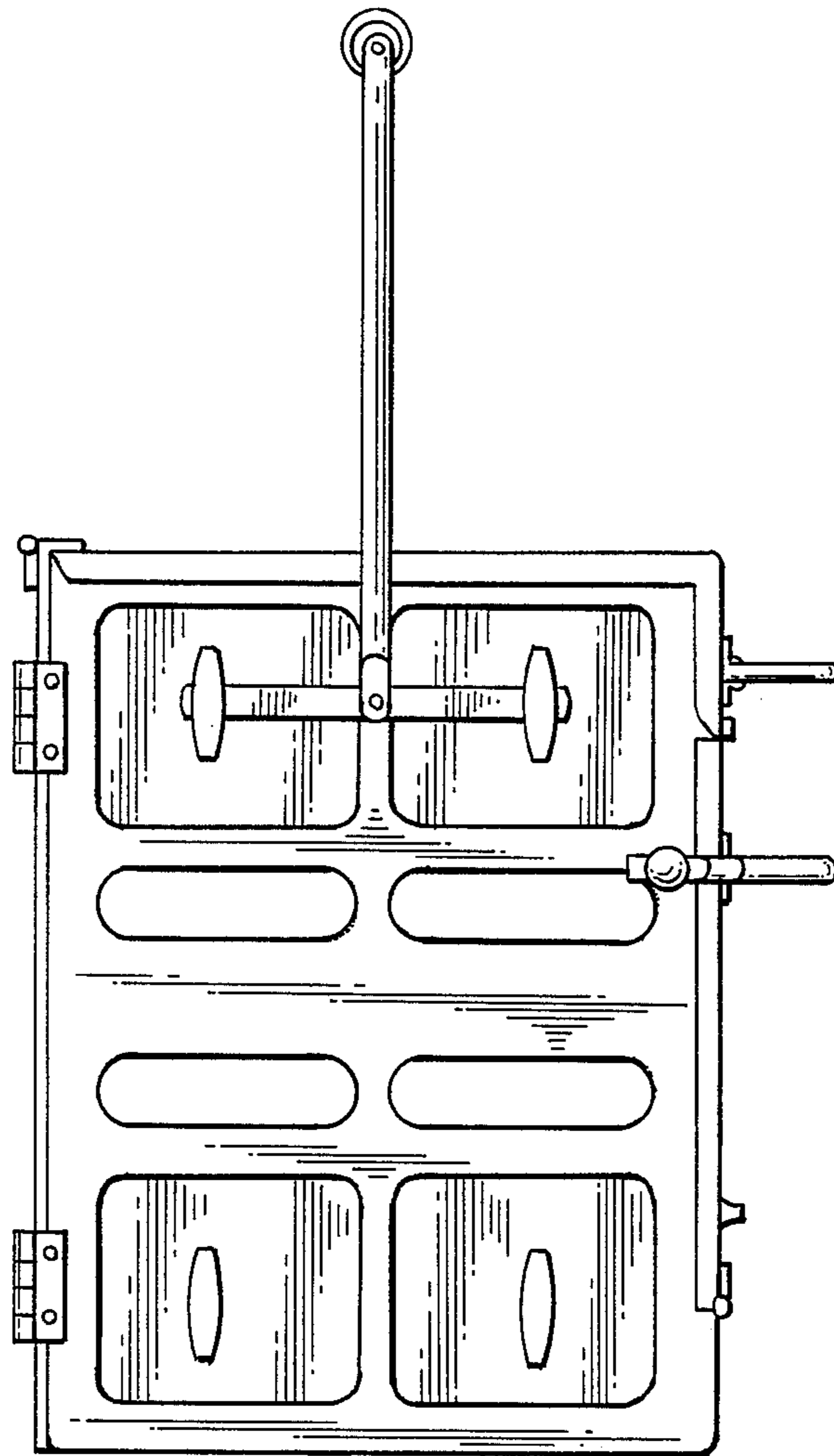


FIG. 6