

[54] COMBINED TOOTHBRUSH SANITIZING
HOLDER AND TRAY

[76] Inventor: Glenn H. Morris, 1192 Cumberland
Rd., Chattanooga, Tenn. 37419

[**] Term: 14 Years

[21] Appl. No.: 134,456

[22] Filed: Dec. 17, 1987

[52] U.S. Cl. D6/528

[58] Field of Search D24/4-5,
D24/16; D6/524, 528, 534; 312/31; 108/25;
211/60.1, 65; 206/205, 209, 362.2, 362.3,
368-369

[56] References Cited

U.S. PATENT DOCUMENTS

- D. 277,814 3/1985 Thompson D6/534
- D. 293,532 1/1988 Sussman D6/535 X
- 4,202,569 5/1980 Thuringer 211/71 X

4,214,657 7/1980 Winston D6/528 X
4,585,119 4/1986 Boyington 206/209 X

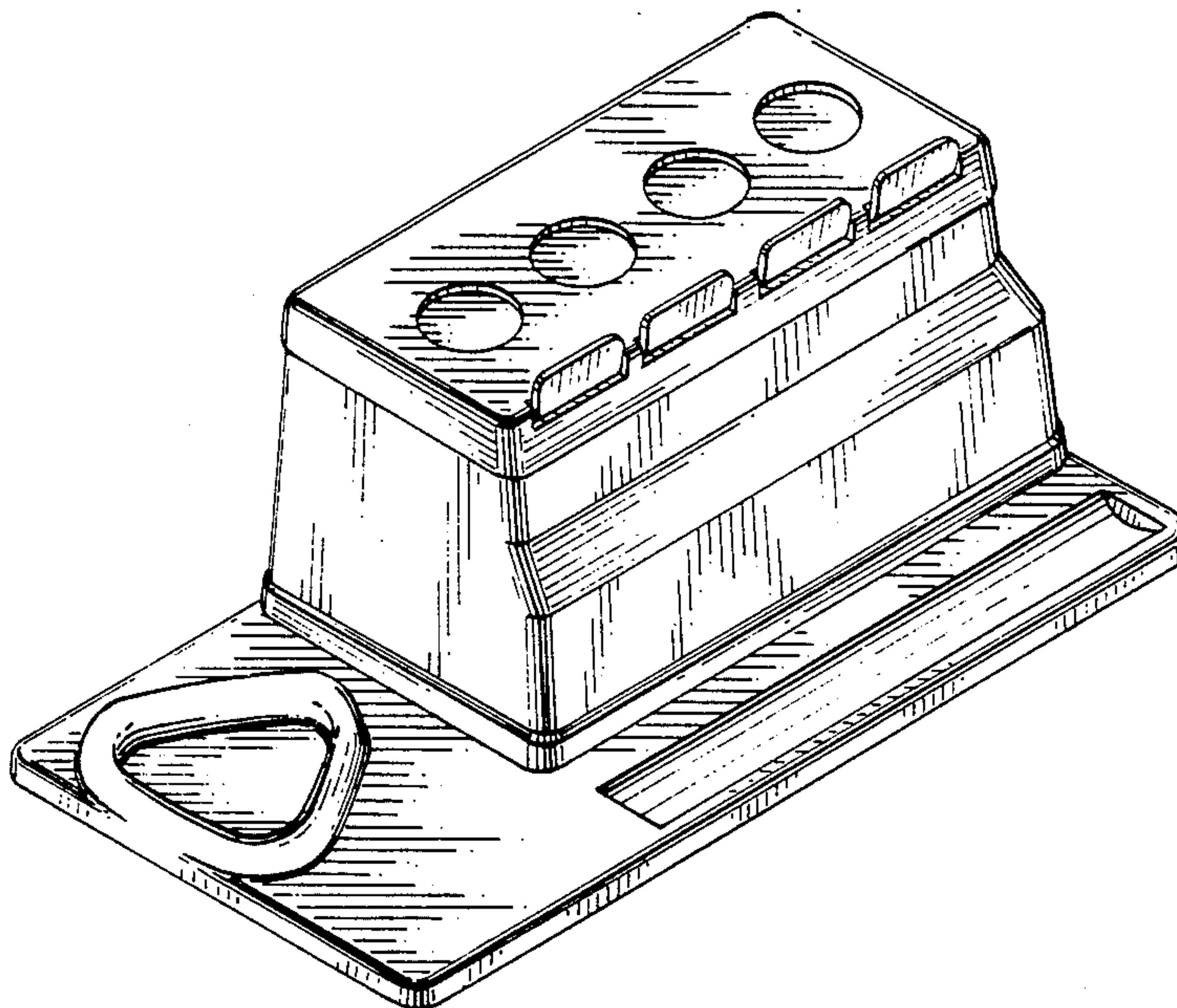
Primary Examiner—Wallace R. Burke
Assistant Examiner—Brian N. Vinson
Attorney, Agent, or Firm—Brady, O'Boyle & Gates

[57] CLAIM

The ornamental design for a combined toothbrush sani-
tizing holder and tray, substantially as shown and de-
scribed.

DESCRIPTION

FIG. 1 is a top, front and left side perspective view of a
combined toothbrush sanitizing holder and tray show-
ing my new design, the right side being substantially
similar in appearance to that shown;
FIG. 2 is a rear elevational view thereof; and
FIG. 3 is a top, front and left side perspective view of an
alternate embodiment thereof, the only difference resid-
ing in its depth.



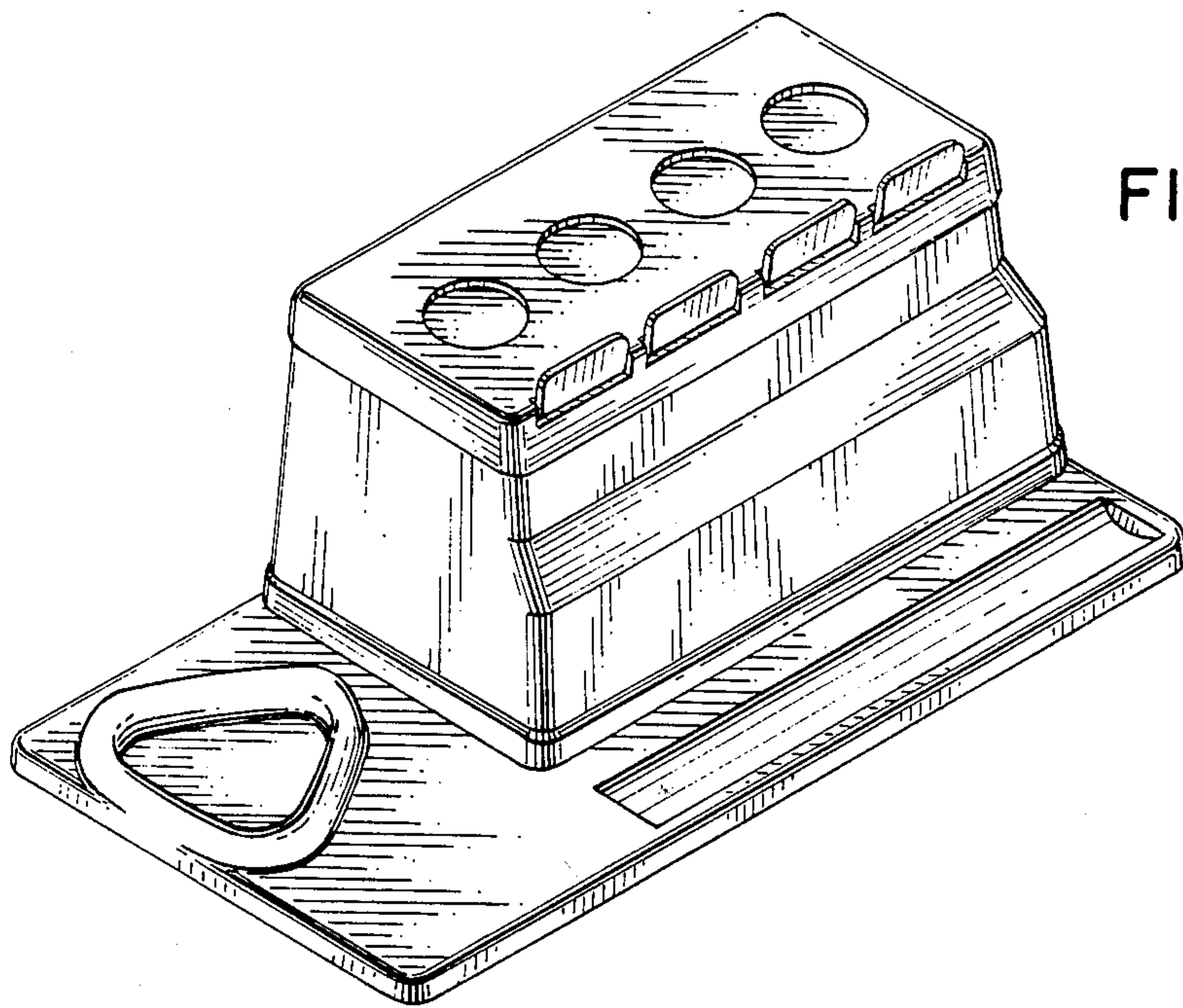


FIG. 1

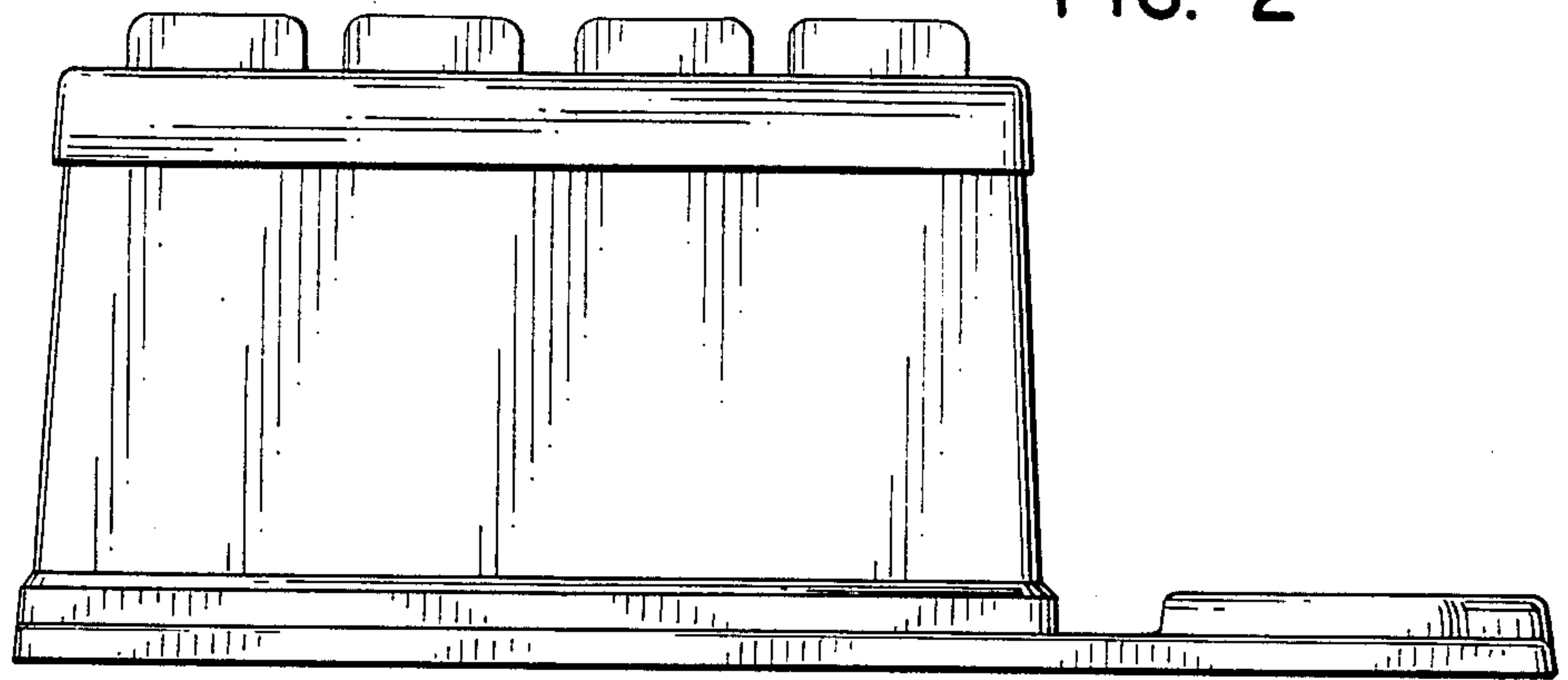


FIG. 2

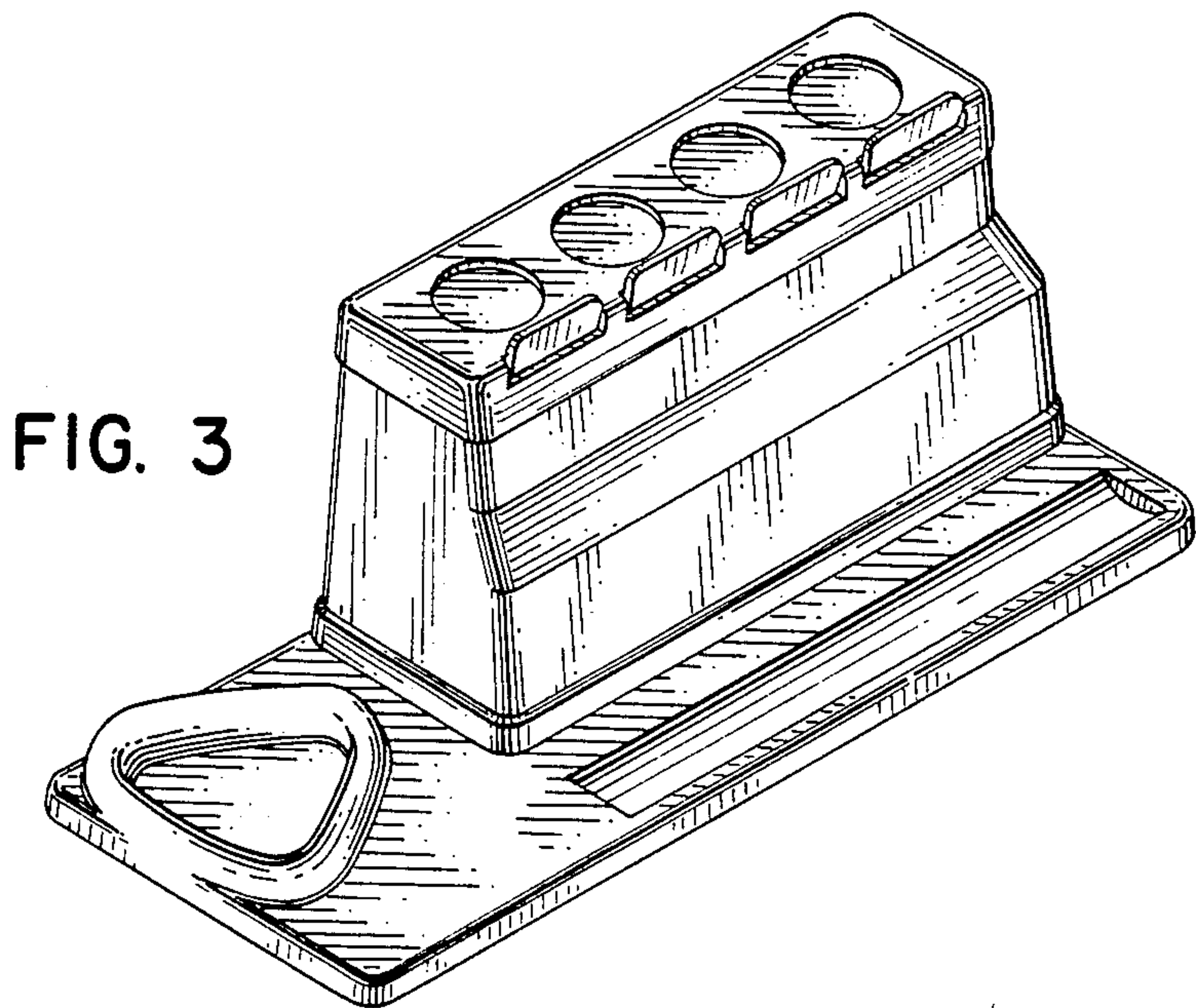


FIG. 3