

United States Patent [19]

Morris

[11] Patent Number: Des. 301,097

[45] Date of Patent: ** May 16, 1989

[54] **TOOTHBRUSH SANITIZING HOLDER**

[76] Inventor: **Glenn H. Morris**, 1192 Cumberland Rd., Chattanooga, Tenn. 37419

[*] Notice: The portion of the term of this patent subsequent to May 16, 2003 has been disclaimed.

[**] Term: **14 Years**

[21] Appl. No.: **128,511**

[22] Filed: **Dec. 3, 1987**

[52] U.S. Cl. **D6/528**

[58] Field of Search **D24/4-5, D24/16; D6/524, 528, 534; 312/31; 108/25; 211/60.1, 65; 206/205, 209, 362.2, 362.3, 368-369**

[56] **References Cited**

U.S. PATENT DOCUMENTS

D. 277,814 3/1985 Thompson D6/534
D. 293,532 1/1988 Sussman D6/535 X

4,202,569 5/1980 Thuringer 211/71 X
4,214,657 7/1980 Winston D6/528 X
4,585,119 4/1986 Boyington 206/209 X

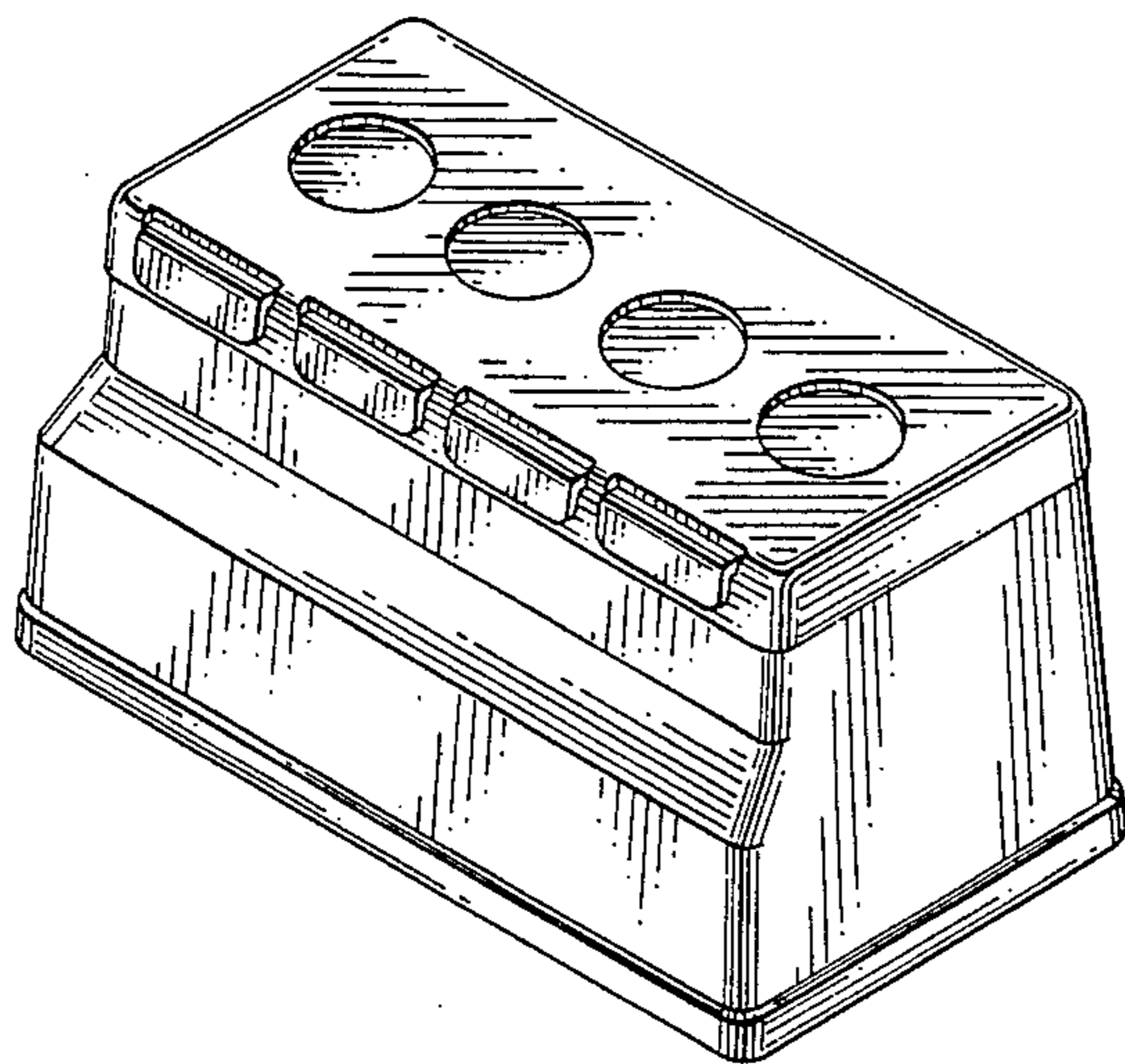
Primary Examiner—Wallace R. Burke
Assistant Examiner—Brian N. Vinson
Attorney, Agent, or Firm—Brady, O'Boyle & Gates

[57] **CLAIM**

The ornamental design for a toothbrush sanitizing holder, as shown and described.

DESCRIPTION

FIG. 1 is a top, front and right side perspective view of a toothbrush sanitizing holder showing my new design; FIG. 2 is a left side elevational view thereof; FIG. 3 is a rear elevational view thereof; FIG. 4 is a bottom plan view thereof; FIG. 5 is a top, front and right side perspective view of an alternate embodiment thereof, the only difference residing in its depth; and FIG. 6 is a left side elevational view of the embodiment of FIG. 5.



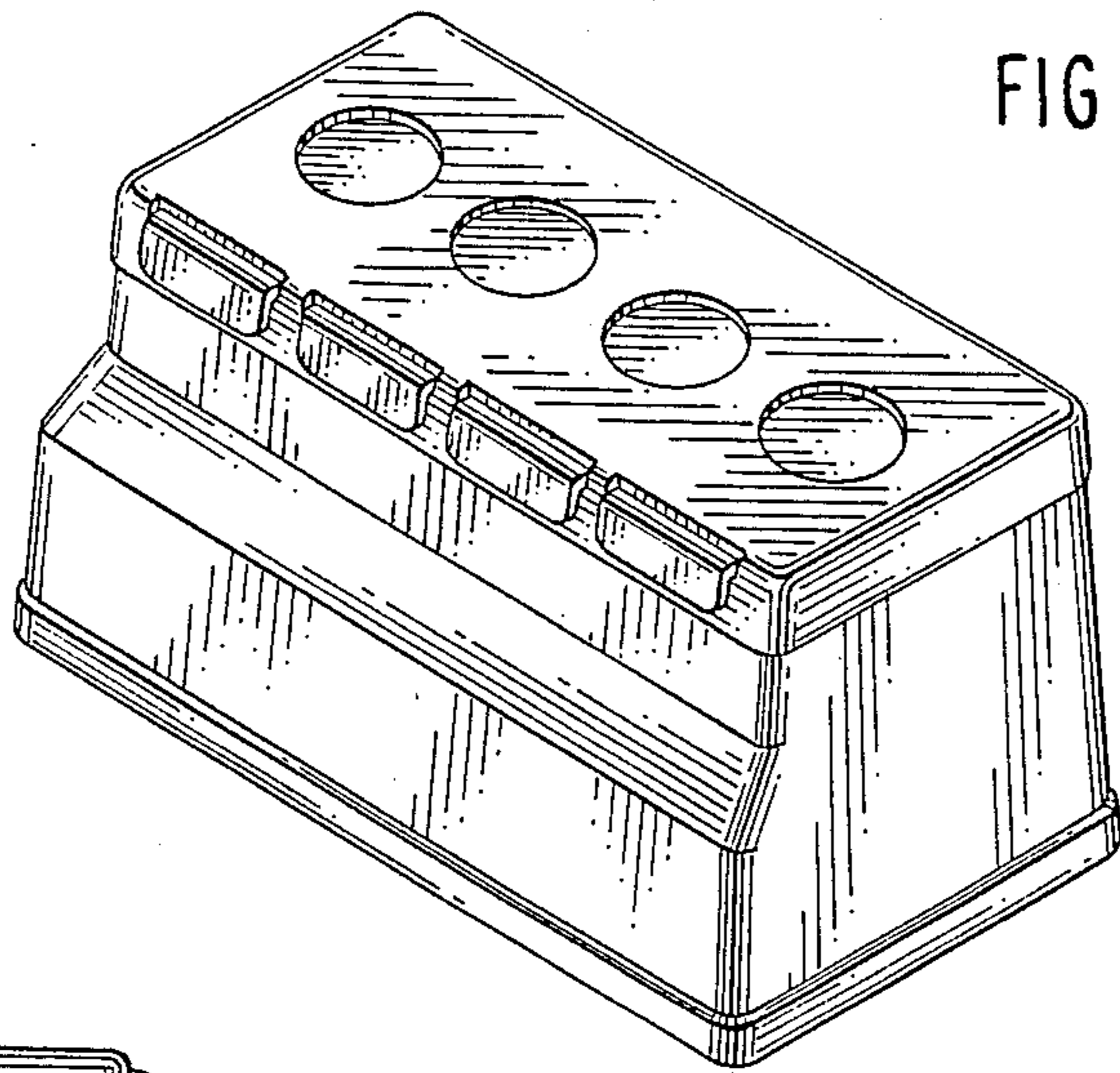


FIG. 1

FIG. 2

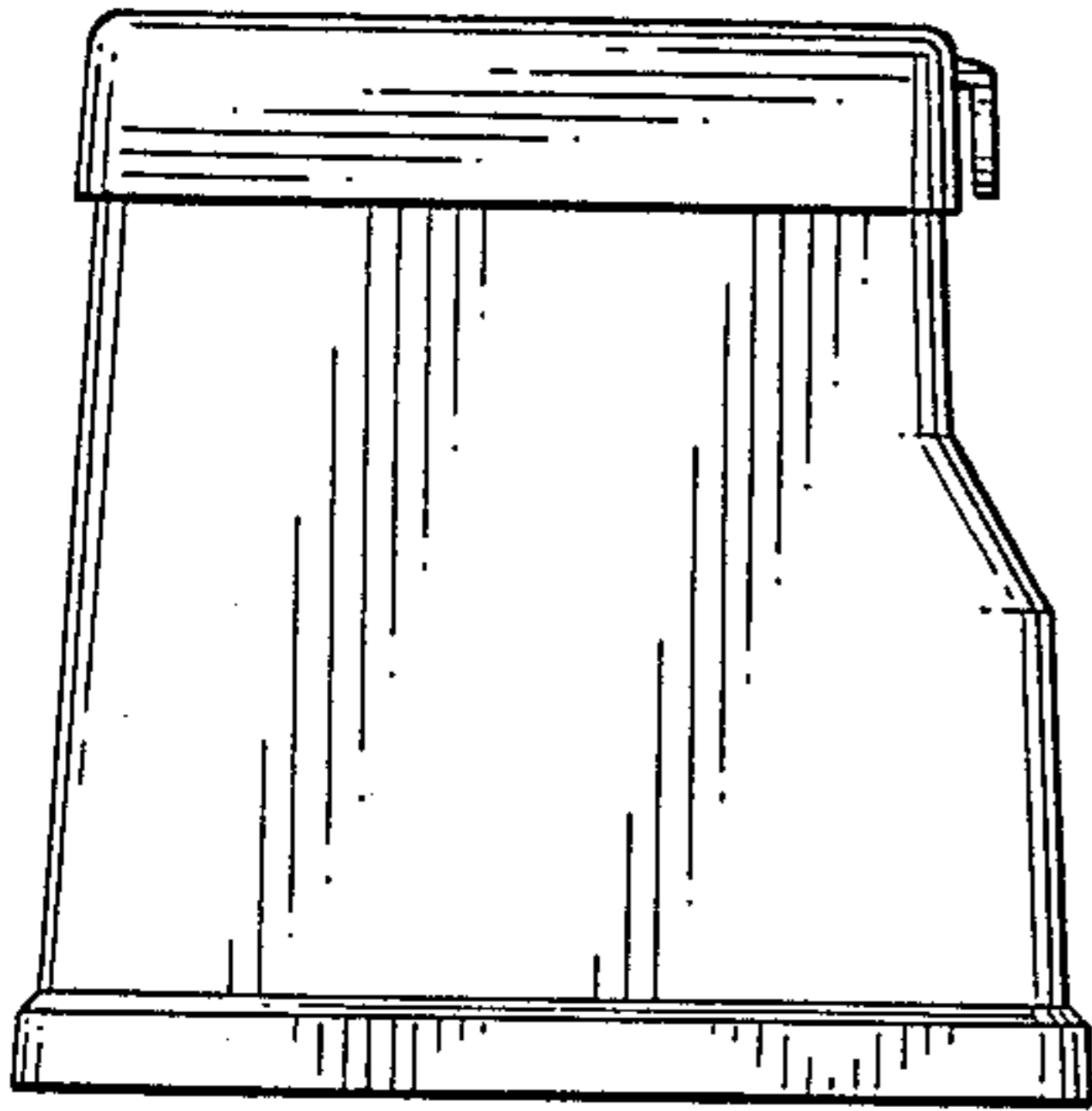


FIG. 3

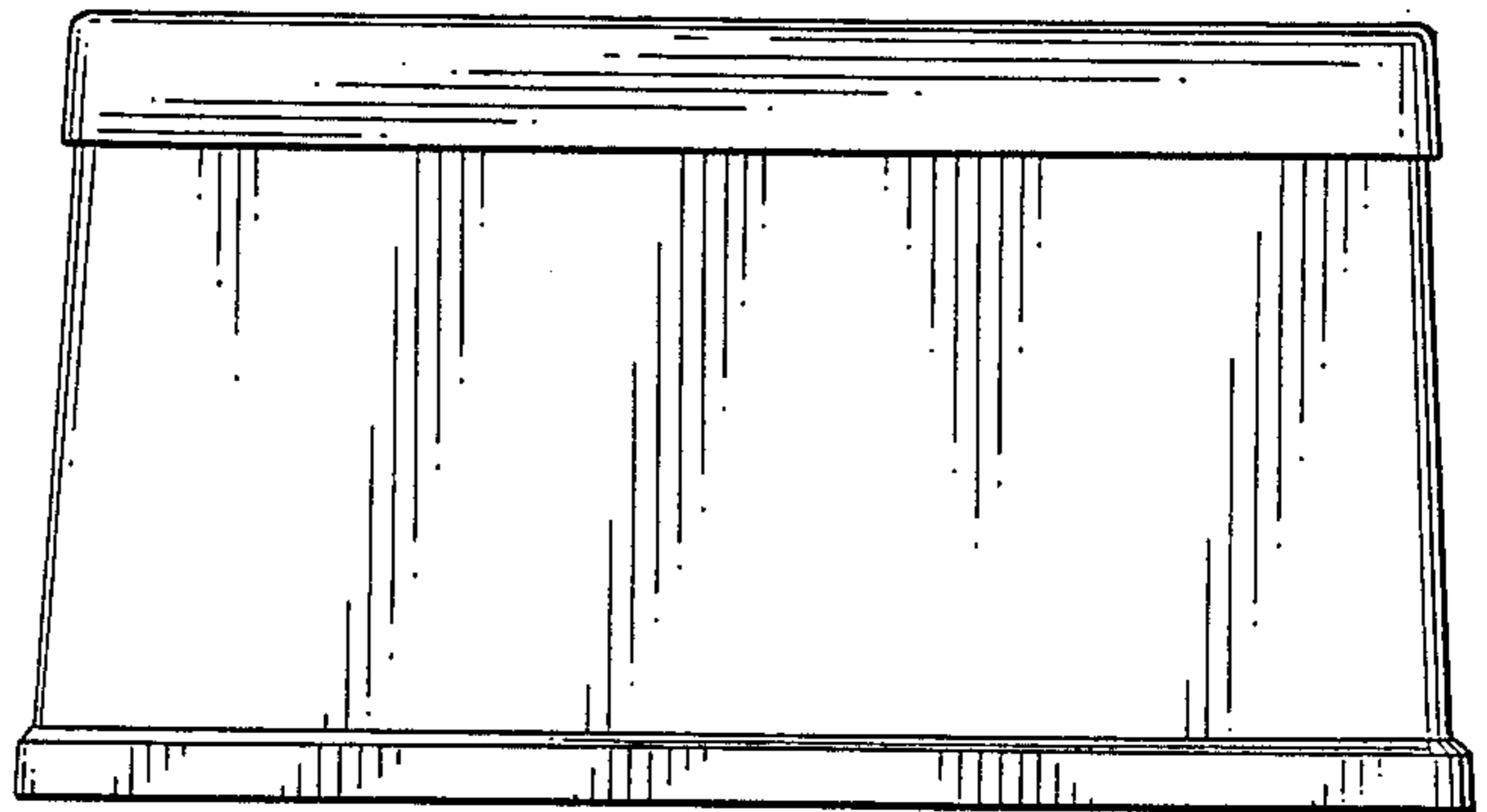


FIG. 4

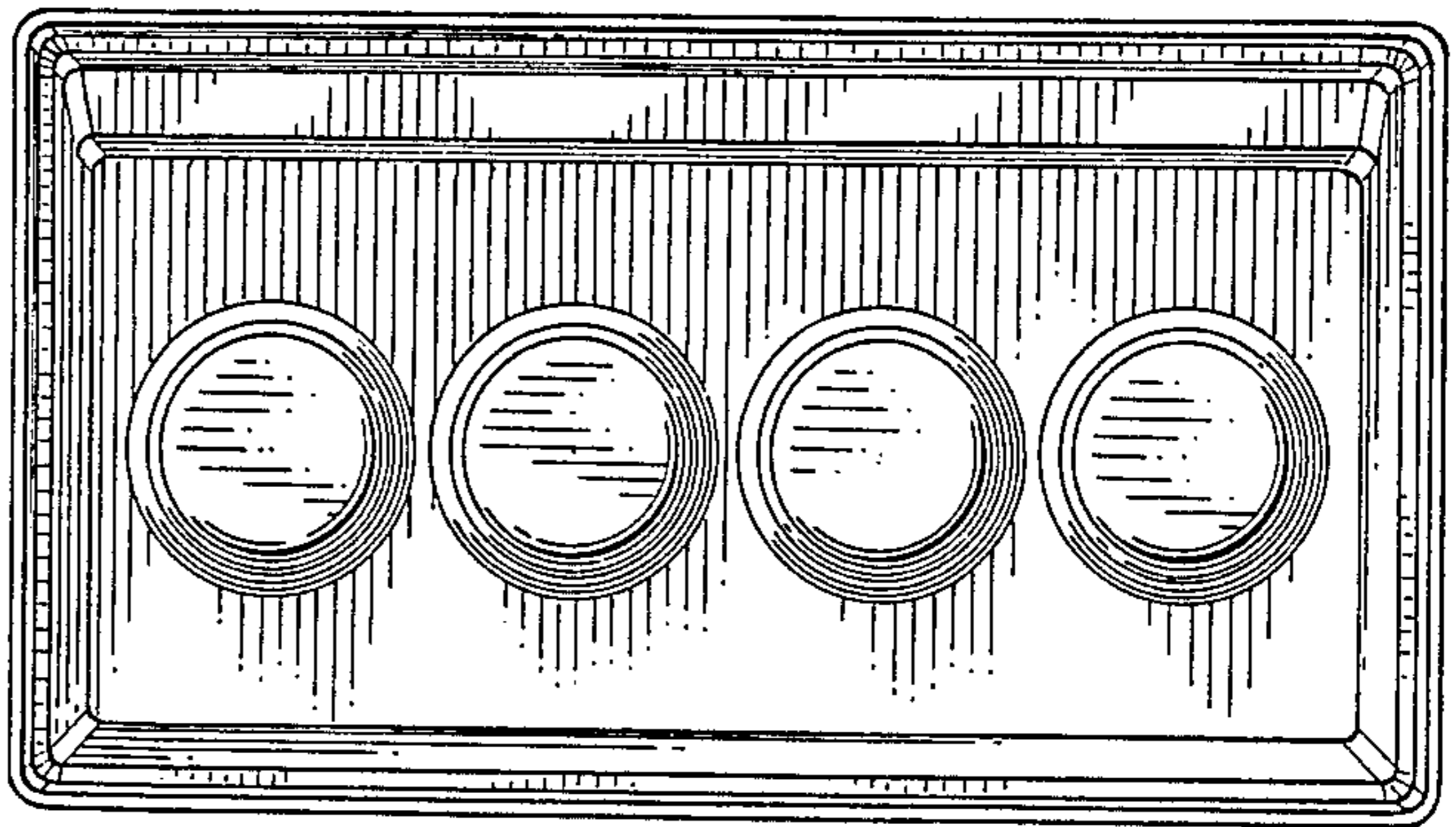


FIG. 5

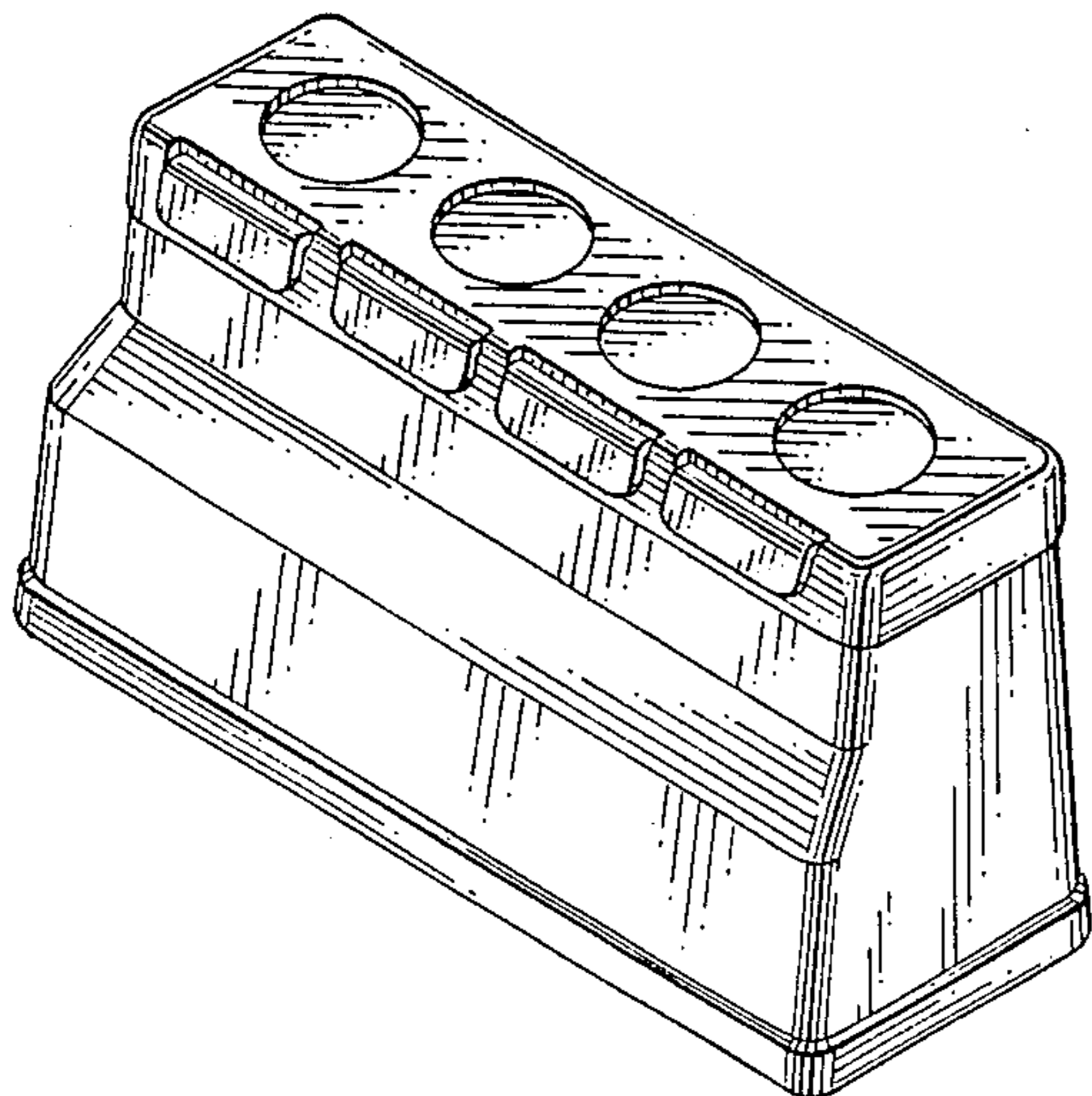


FIG. 6

