

[54] **COMBINED TABLE AND ETAGERE**
[75] **Inventor: Kaizo Oto, New York, N.Y.**
[73] **Assignee: Design Institute America, Inc.,
Montpelier, Ohio**
[**] **Term: 14 Years**
[21] **Appl. No.: 817,097**
[22] **Filed: Jan. 8, 1986**
[52] **U.S. Cl. D6/397; D6/474**
[58] **Field of Search D6/449, 474, 477, 478,
D6/479, 397; 108/92, 93; 211/128, 133, 189**

D. 284,244 6/1986 Berry, Jr. D6/474
D. 288,637 3/1987 Winzeler, III D6/474 X
D. 288,996 3/1987 Winzeler, III D6/474
4,646,655 3/1987 Robolin 108/92

Primary Examiner—Carmen H. Vales
Attorney, Agent, or Firm—Marshall & Melhorn

[57] **CLAIM**

The ornamental design for a combined table and etagere, as shown.

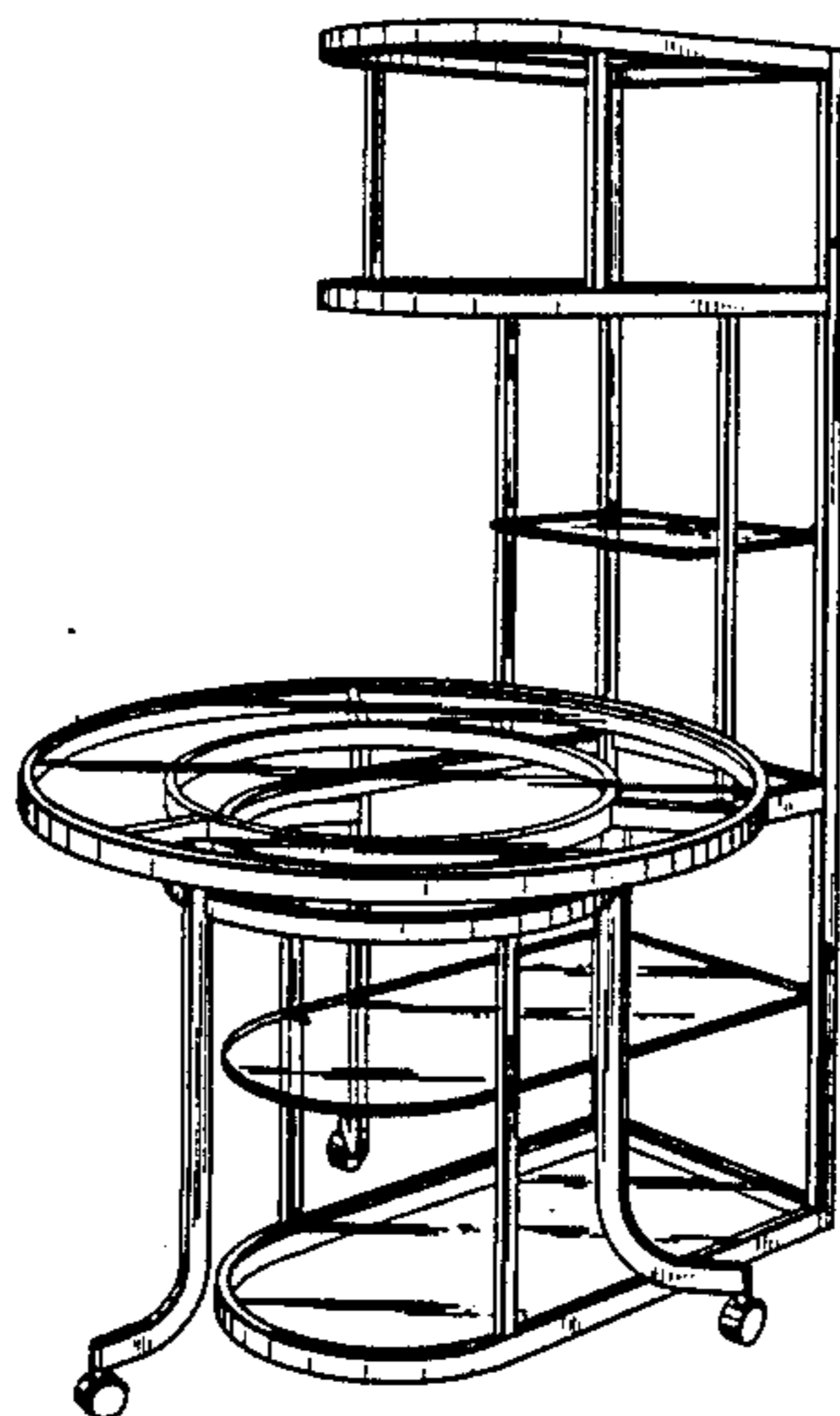
DESCRIPTION

FIG. 1 is a perspective view of a combined table and etagere showing my new design;
FIG. 2 is a front elevational view thereof;
FIG. 3 is a right side elevational view thereof;
FIG. 4 is a rear elevational view thereof;
FIG. 5 is a left side elevational view thereof;
FIG. 6 is a top plan view thereof; and
FIG. 7 is a sectional view thereof taken along line 7—7 of FIG. 3.

[56] **References Cited**

U.S. PATENT DOCUMENTS

D. 119,873 4/1970 Wright D6/397
D. 178,783 9/1956 King D6/397
D. 179,360 12/1956 Small D6/397
D. 280,157 8/1985 Berry, Jr. D6/474
D. 280,158 8/1985 Berry, Jr. D6/474



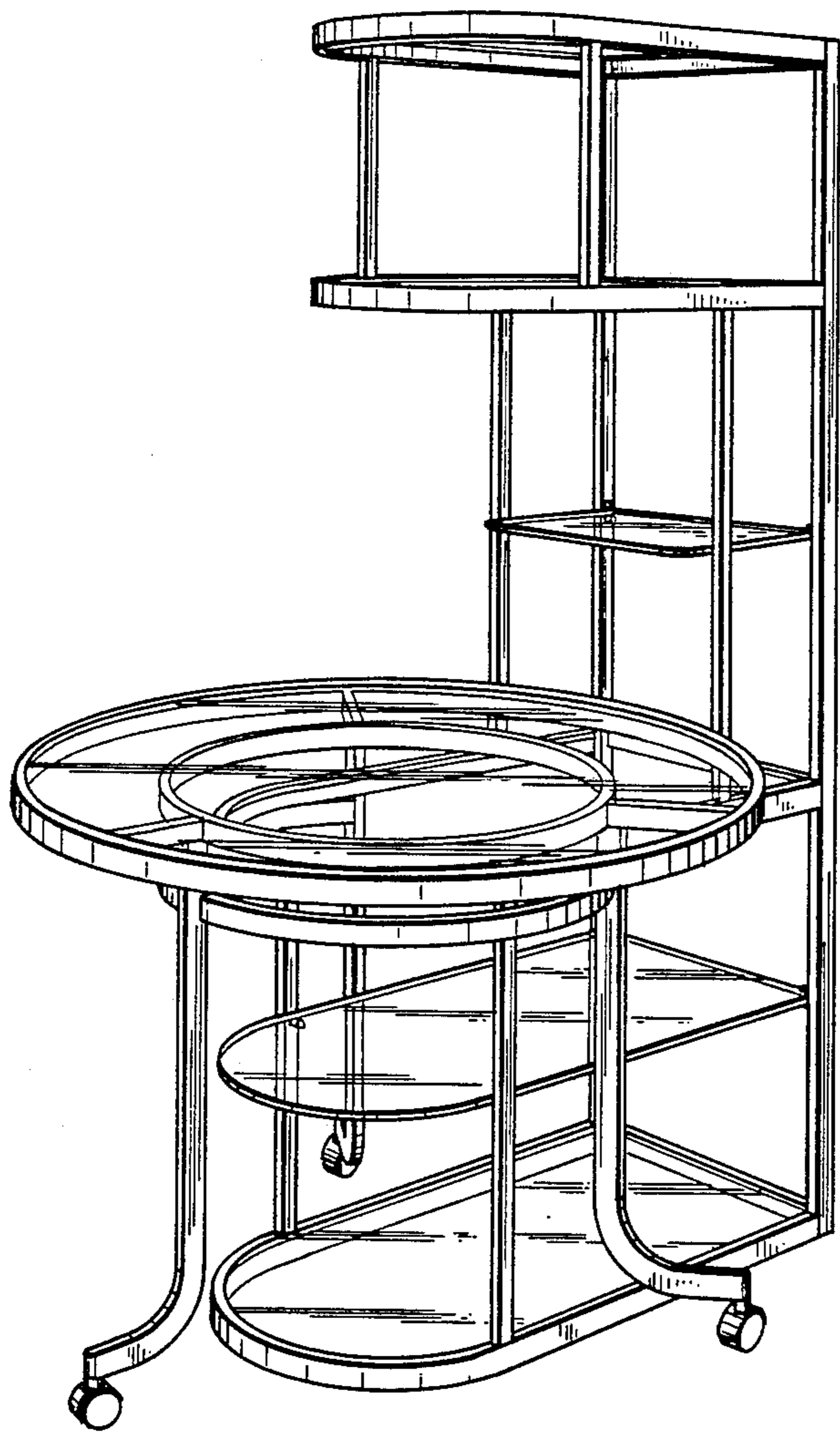


FIG. 1

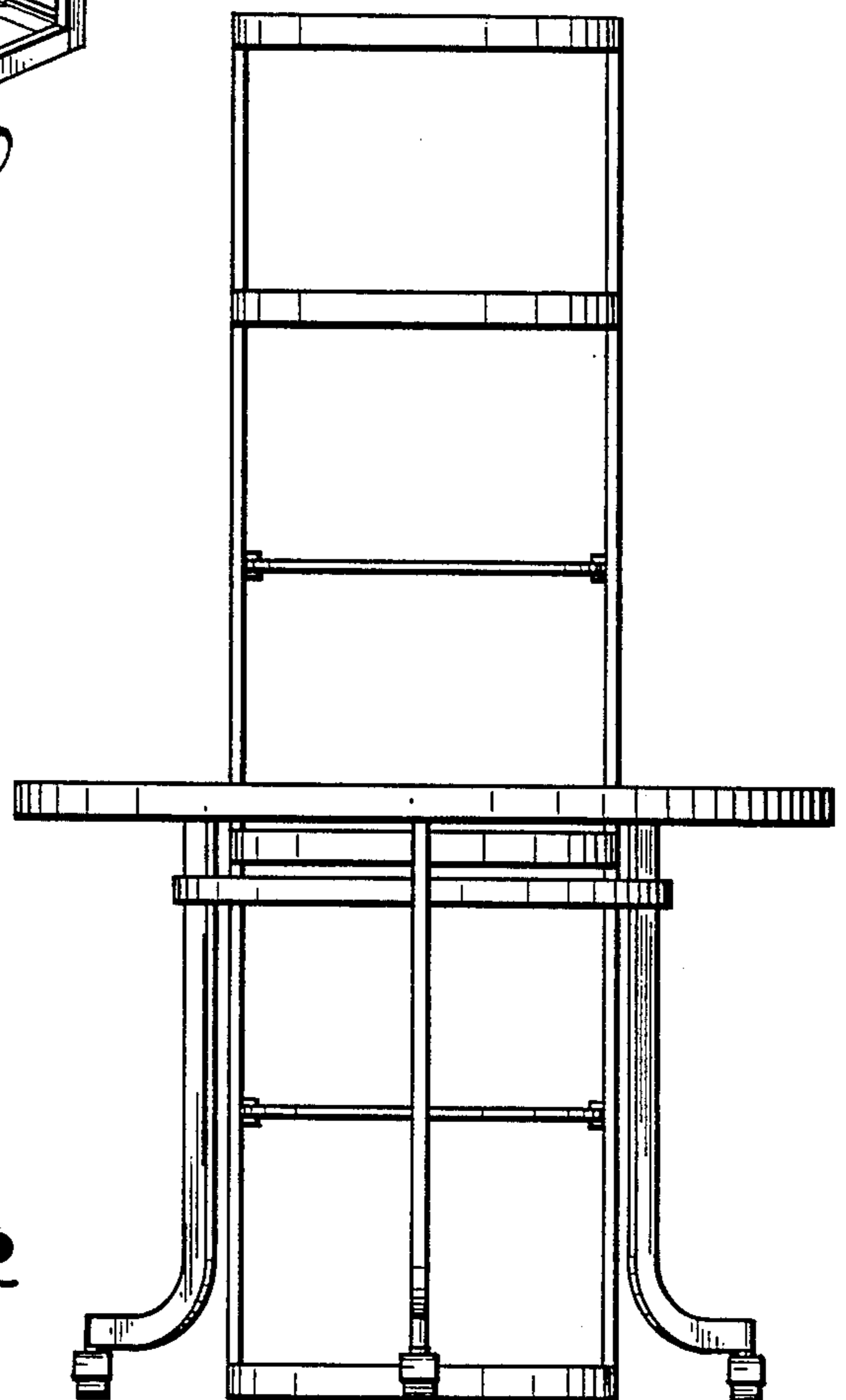


FIG. 2

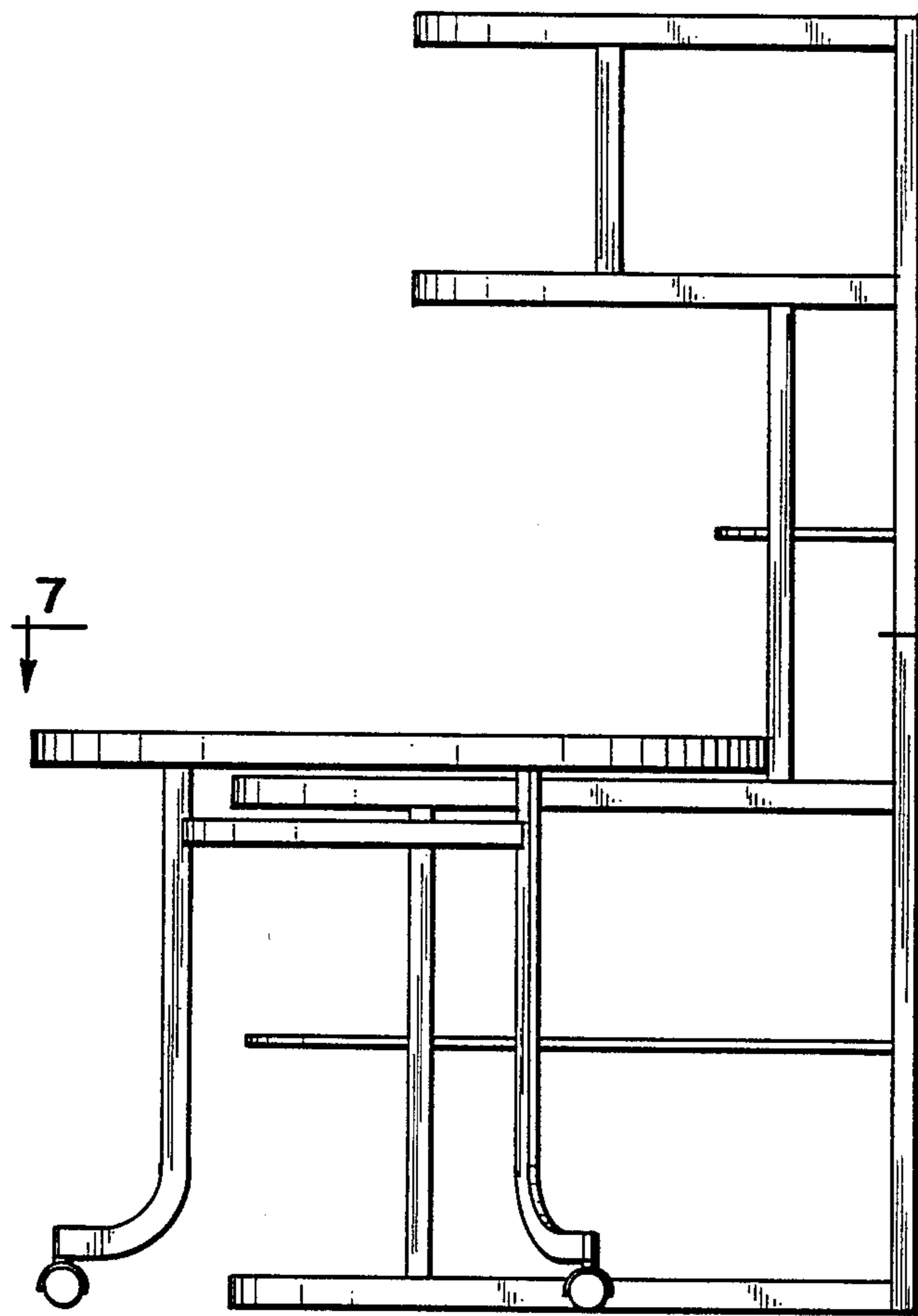


FIG. 3

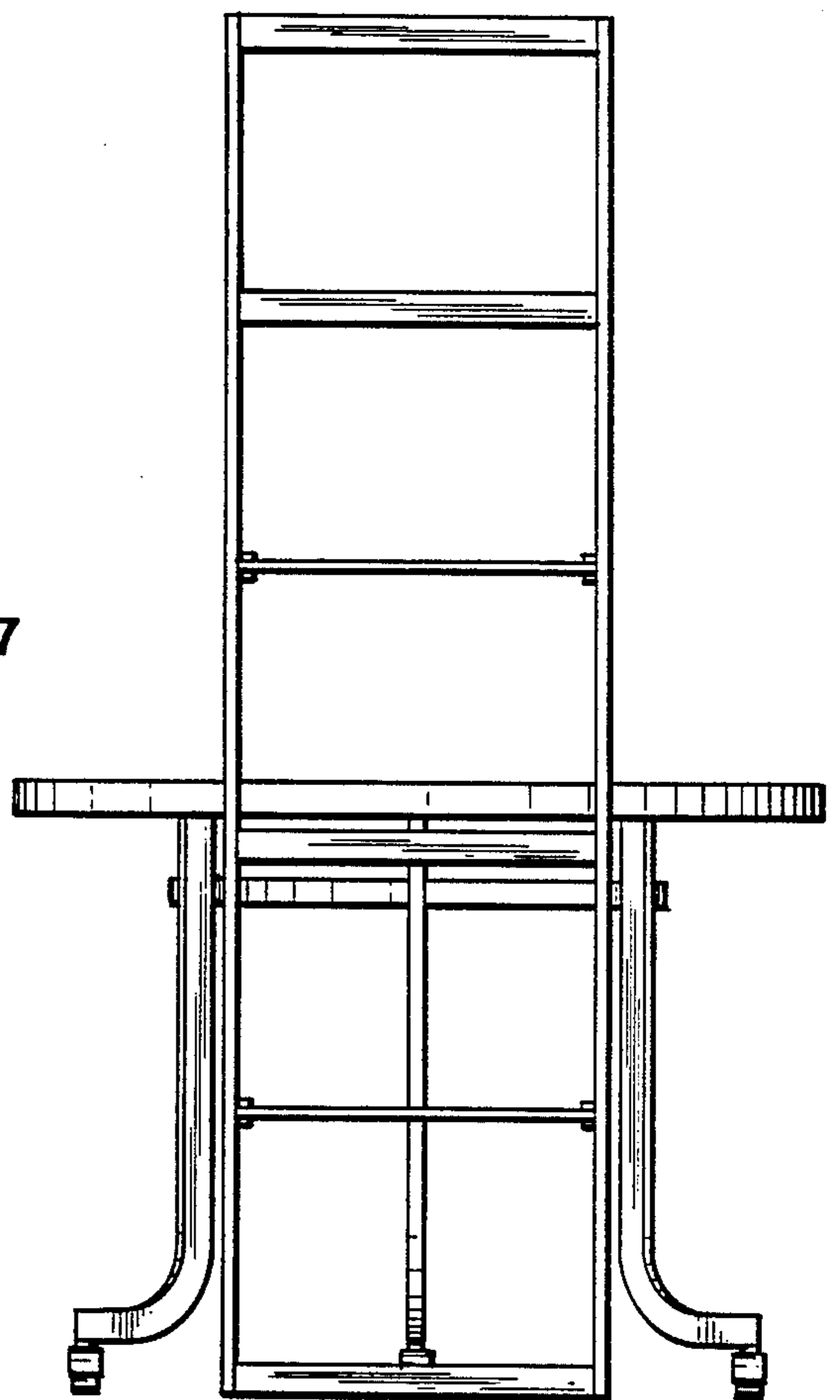


FIG. 4

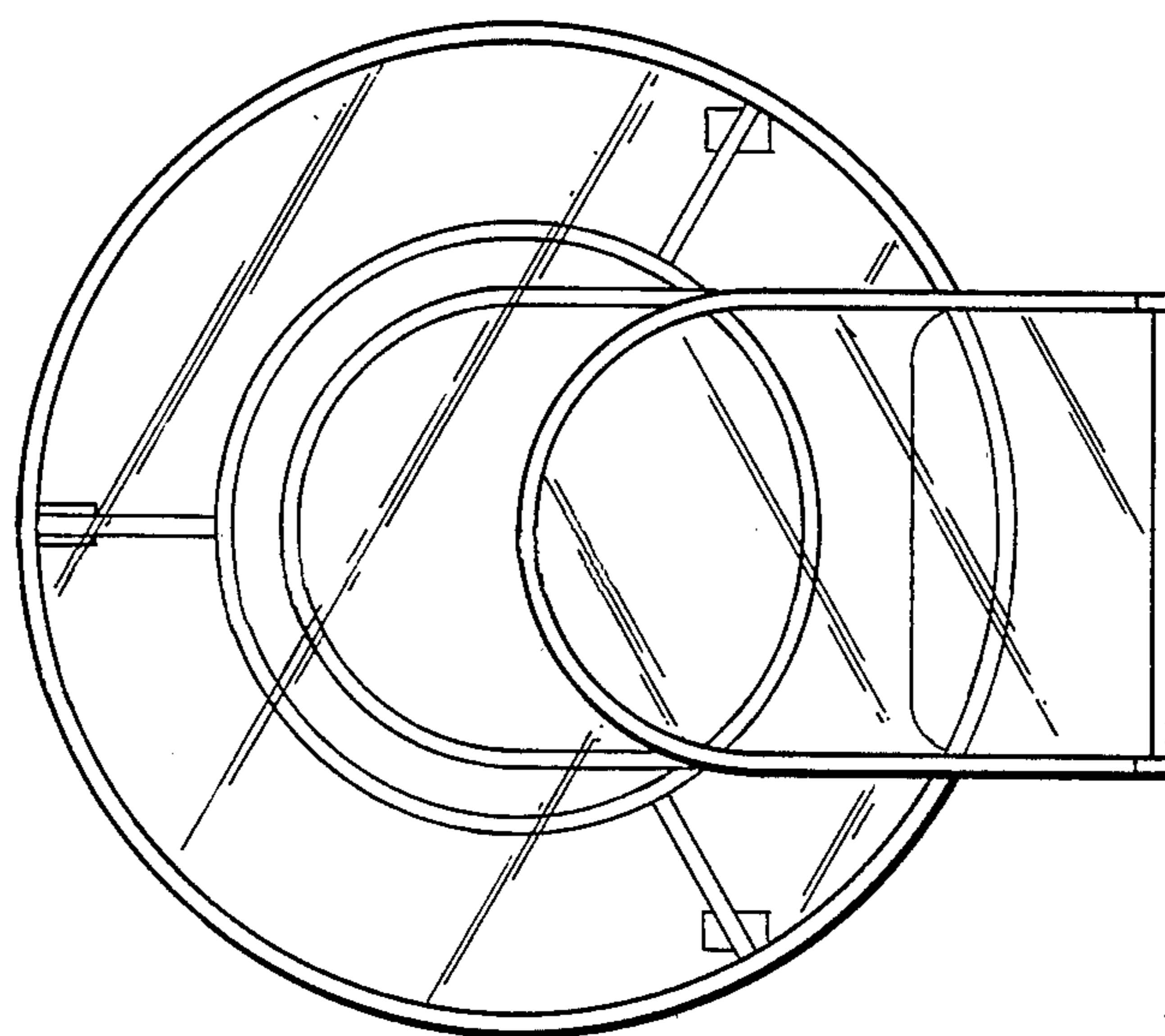


FIG. 6

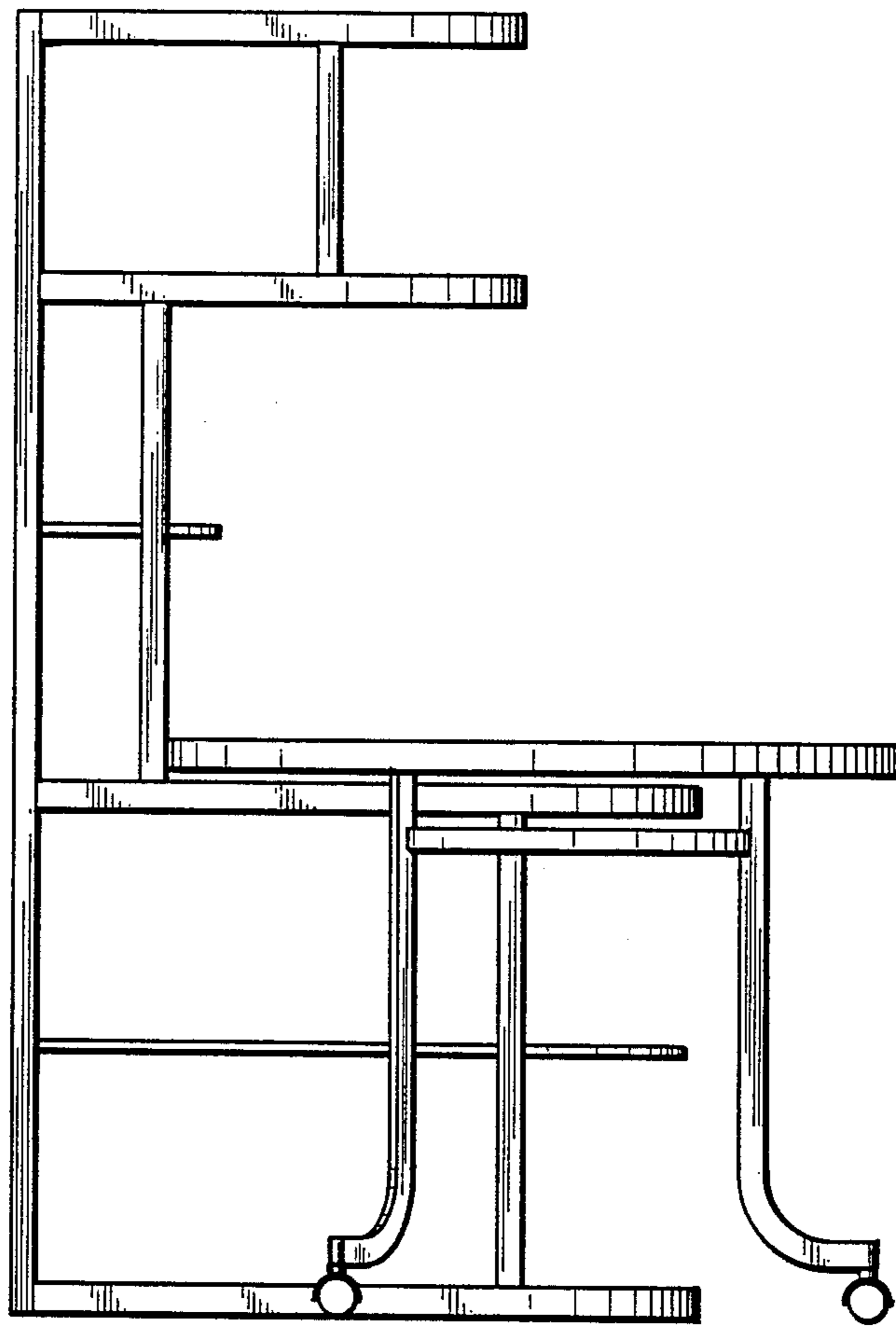


FIG. 5

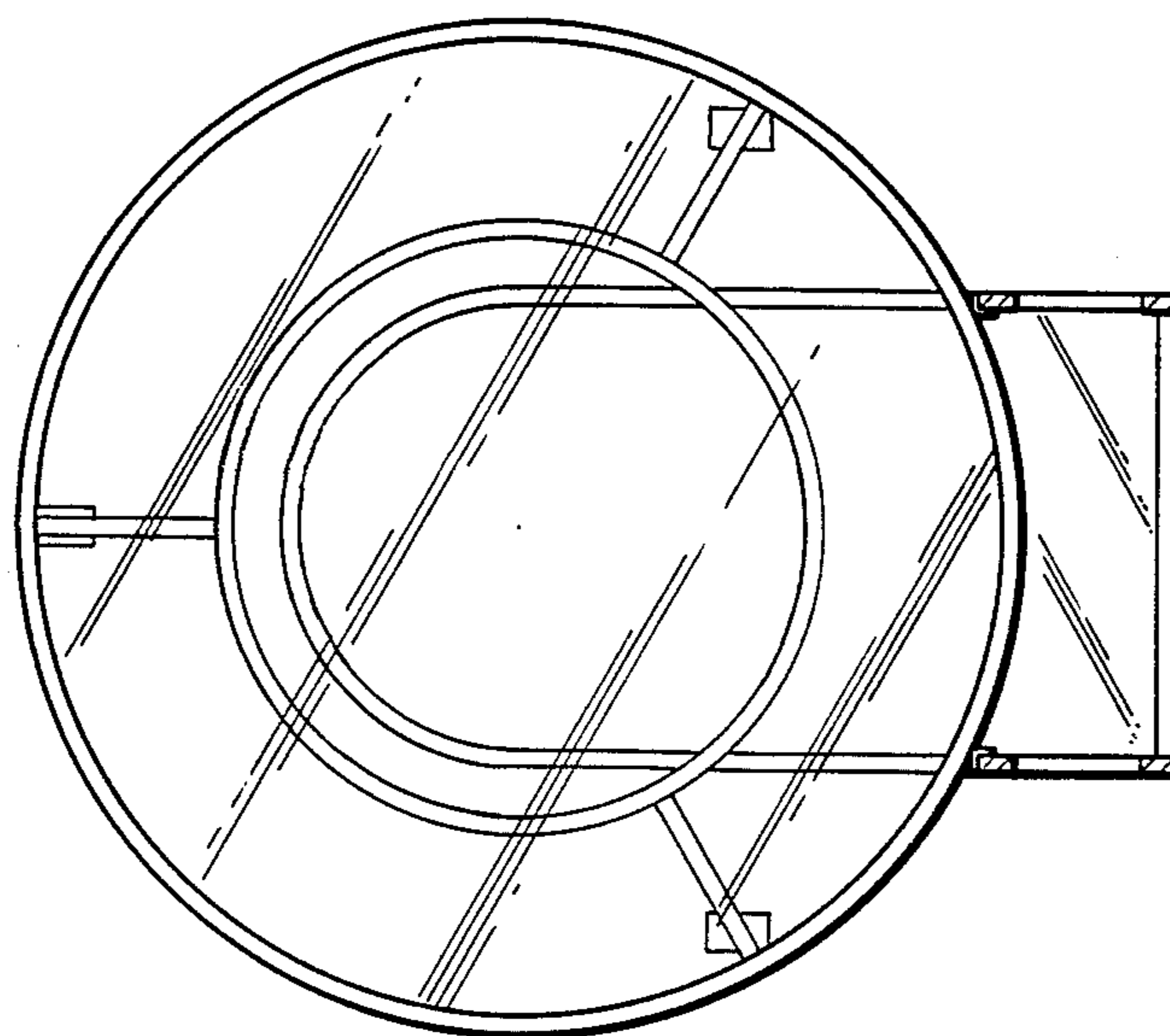


FIG. 7