

[54] **CRIB**

[76] **Inventor: James M. Jones, 1002 Barker Rd., Sharon Hill, Pa. 19079**

[**] **Term: 14 Years**

[21] **Appl. No.: 915,327**

[22] **Filed: Oct. 3, 1986**

[52] **U.S. Cl. D6/390**

[58] **Field of Search D6/390, 391, 392**

[56] **References Cited**

U.S. PATENT DOCUMENTS

- D. 227,626 7/1973 Ferguson D6/391
- D. 280,957 10/1985 Meier D6/370
- D. 288,878 3/1987 Munson D6/477

OTHER PUBLICATIONS

Furniture World, Oct. 1977, p. 87, Crib.

Primary Examiner—Bruce W. Dunkins

Assistant Examiner—Ann G. Scott

Attorney, Agent, or Firm—Steele, Gould & Fried

[57] **CLAIM**

The ornamental design for a crib, as shown and described.

DESCRIPTION

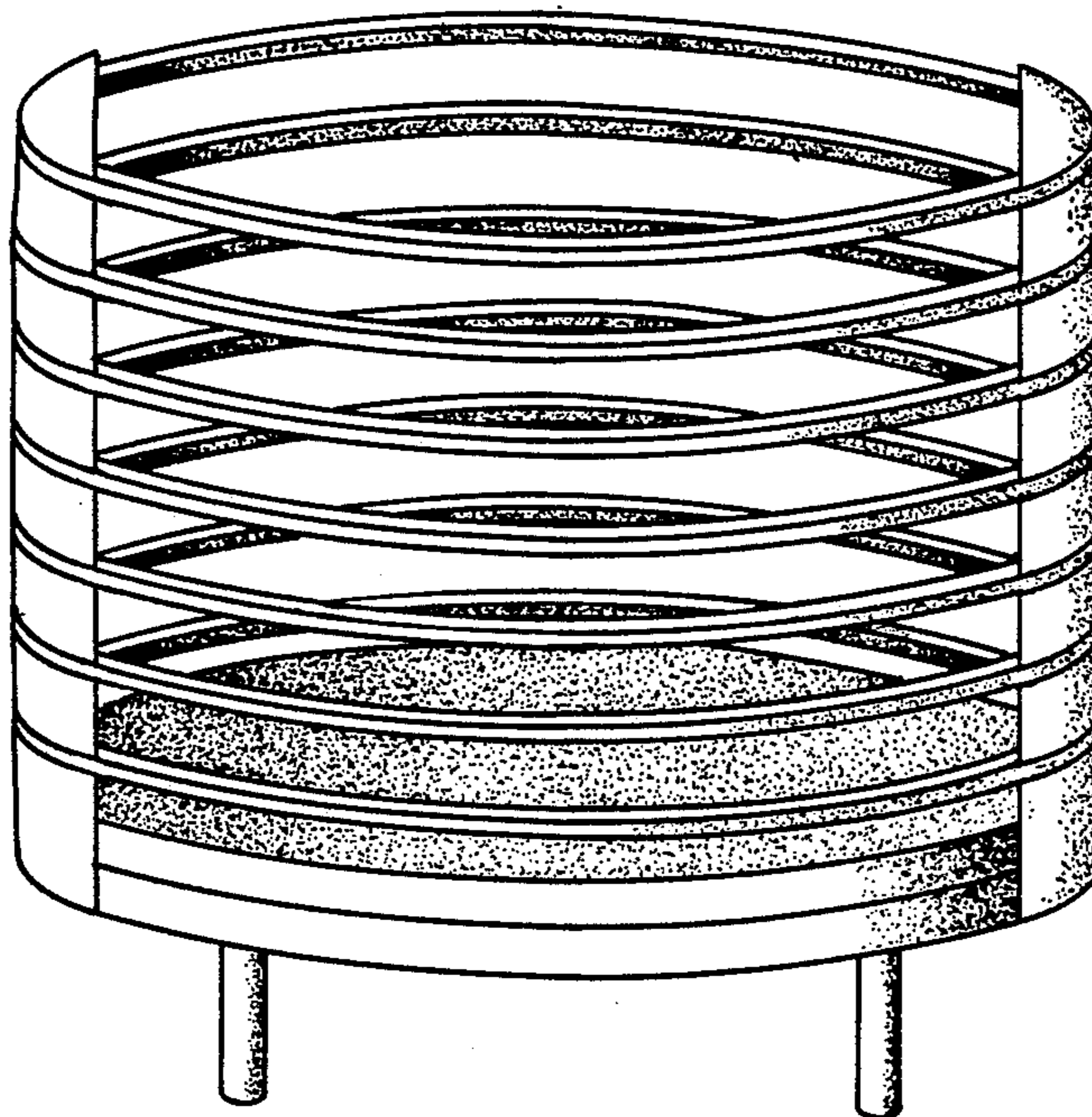
FIG. 1 is a perspective view of a crib showing my new design;

FIG. 2 is a top plan view thereof;

FIG. 3 is a bottom plan view thereof;

FIG. 4 is a front elevational view thereof, the rear elevation being a mirror image thereof; and

FIG. 5 is a right side elevational view thereof, the other side being a mirror image thereof.



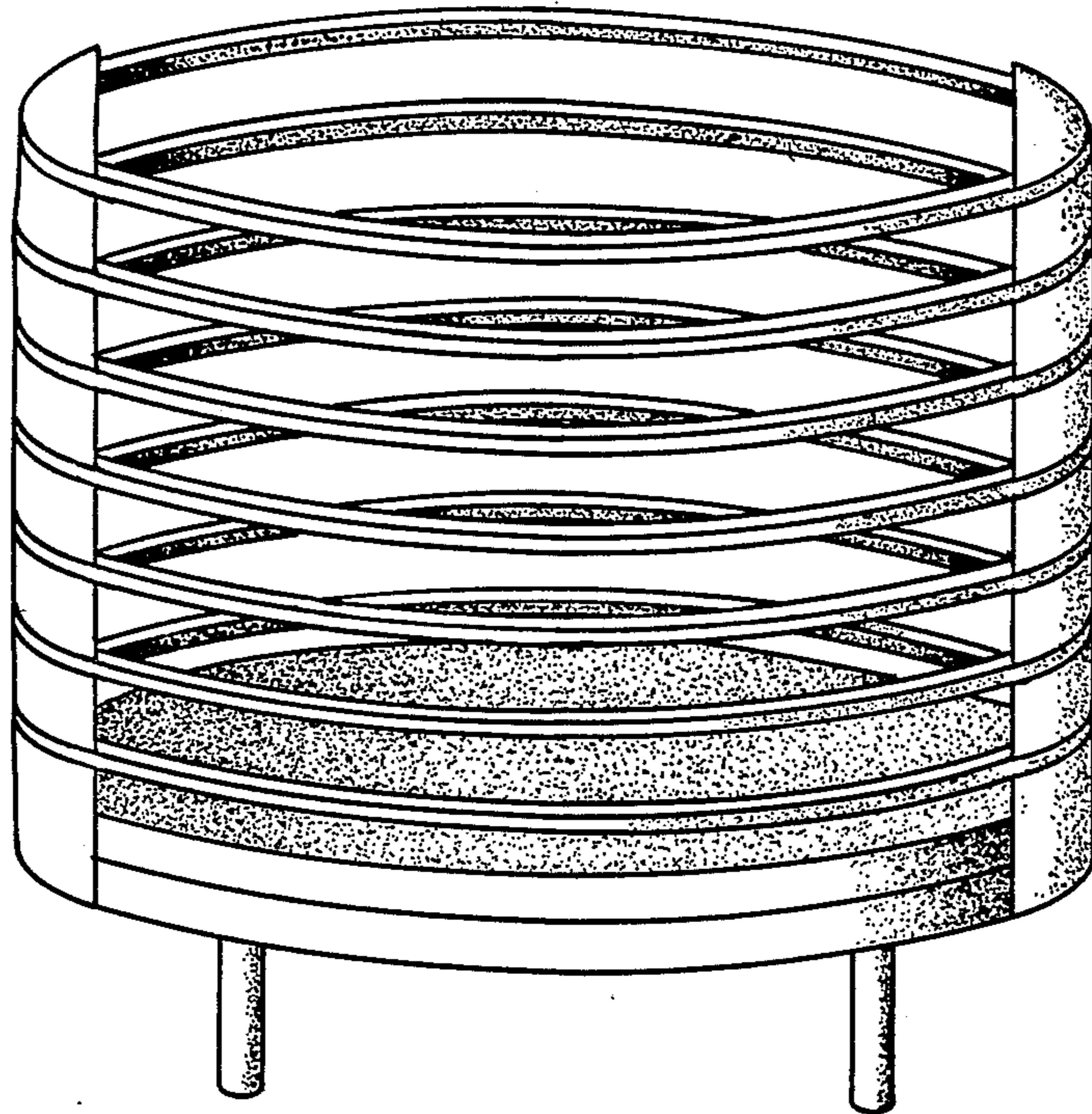


FIG. 1

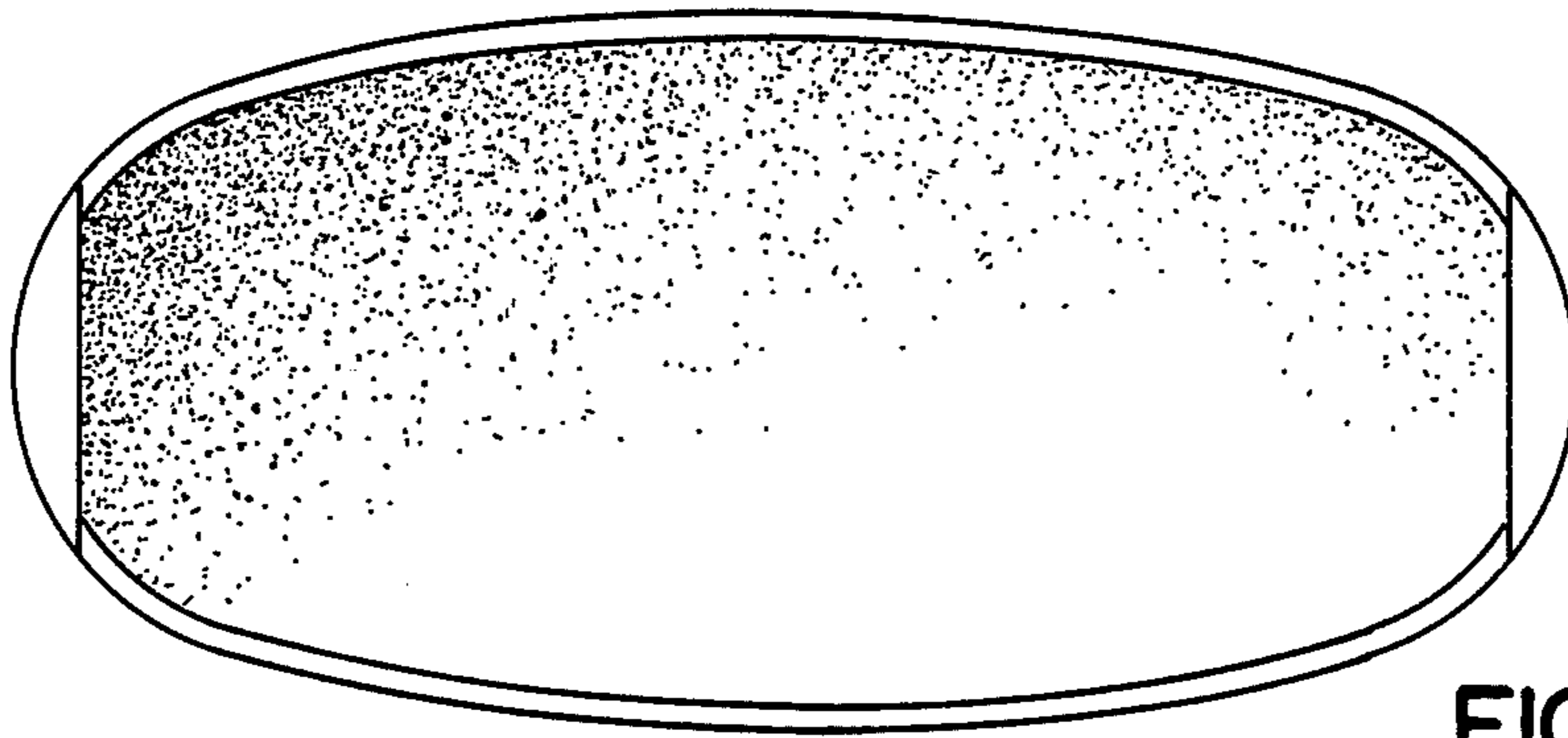


FIG. 2

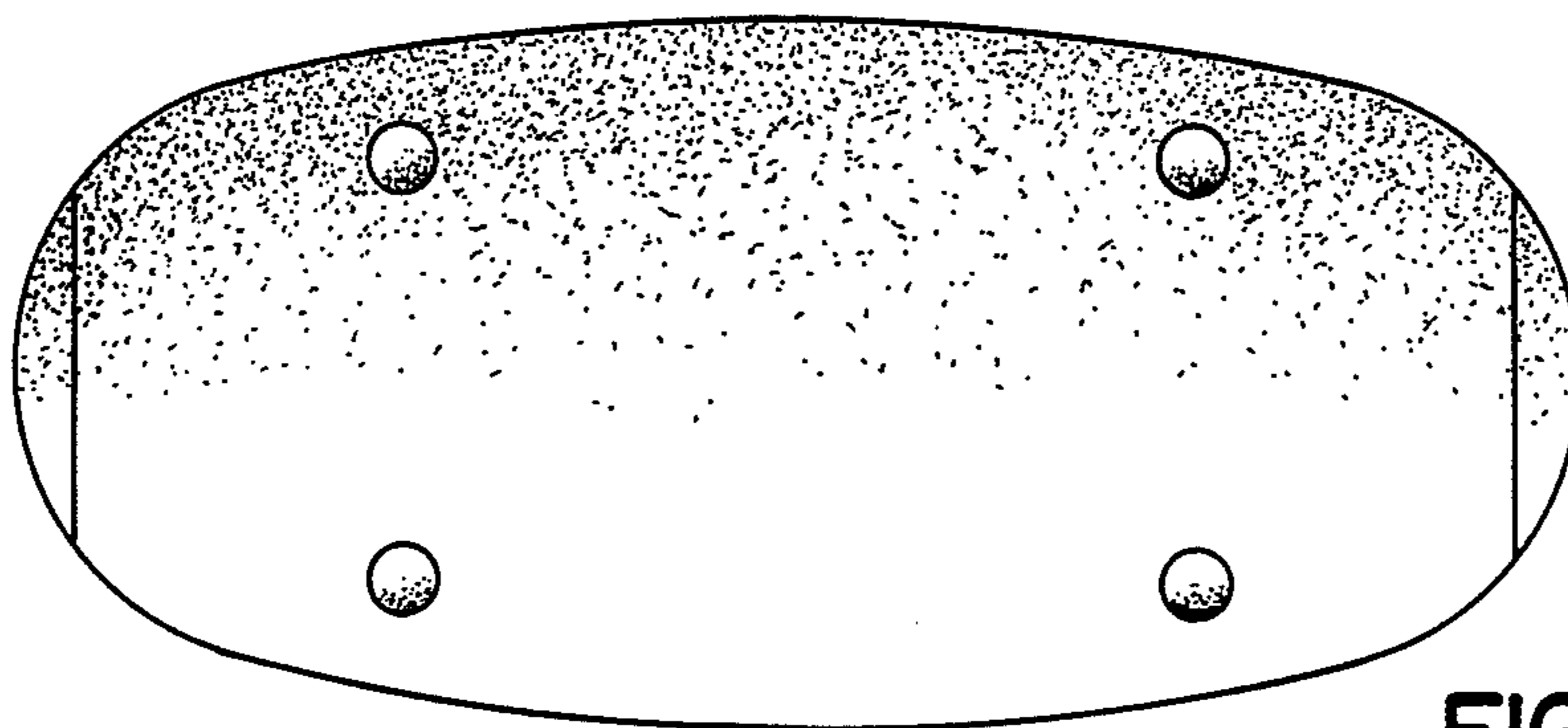


FIG. 3

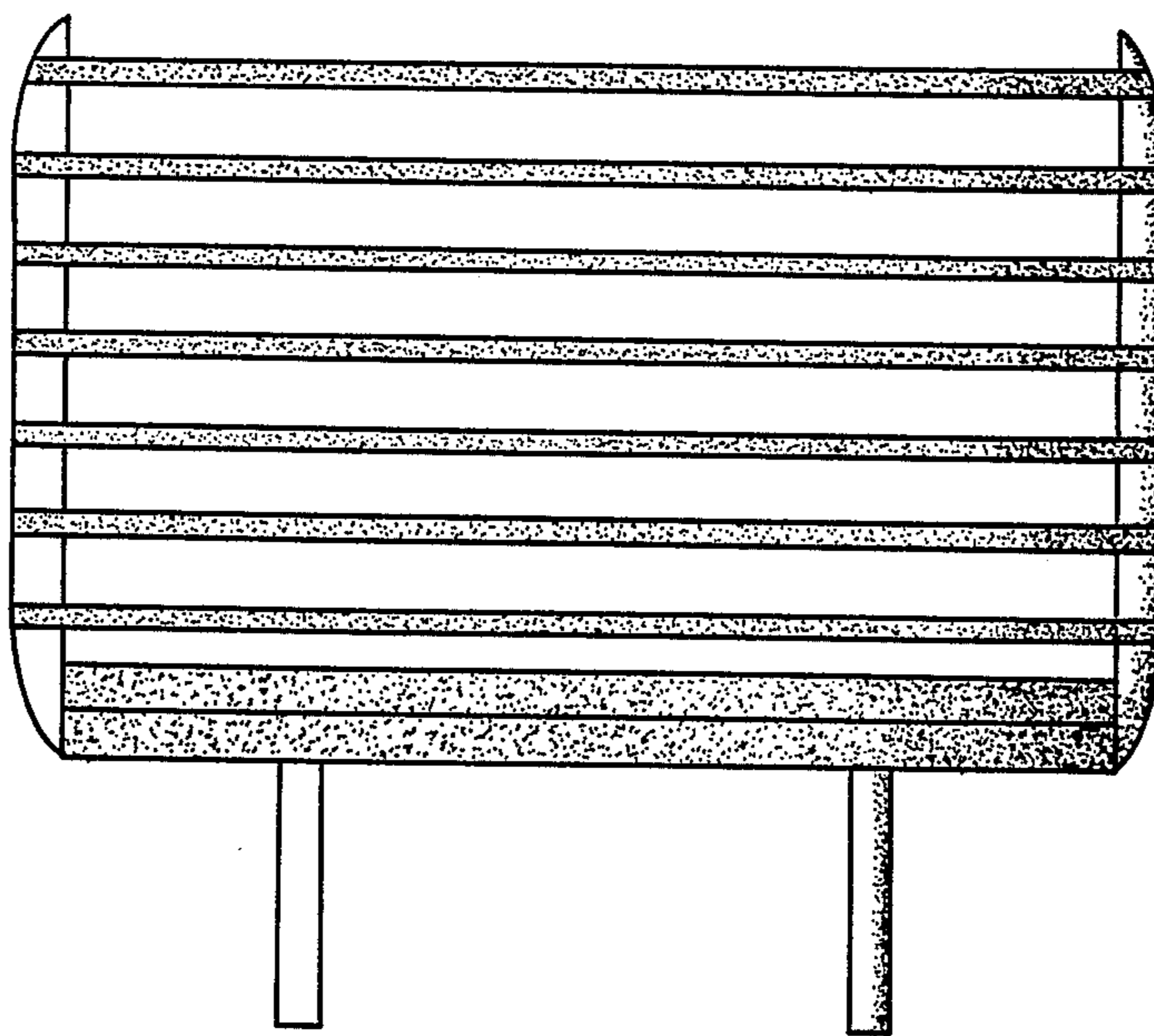


FIG. 4

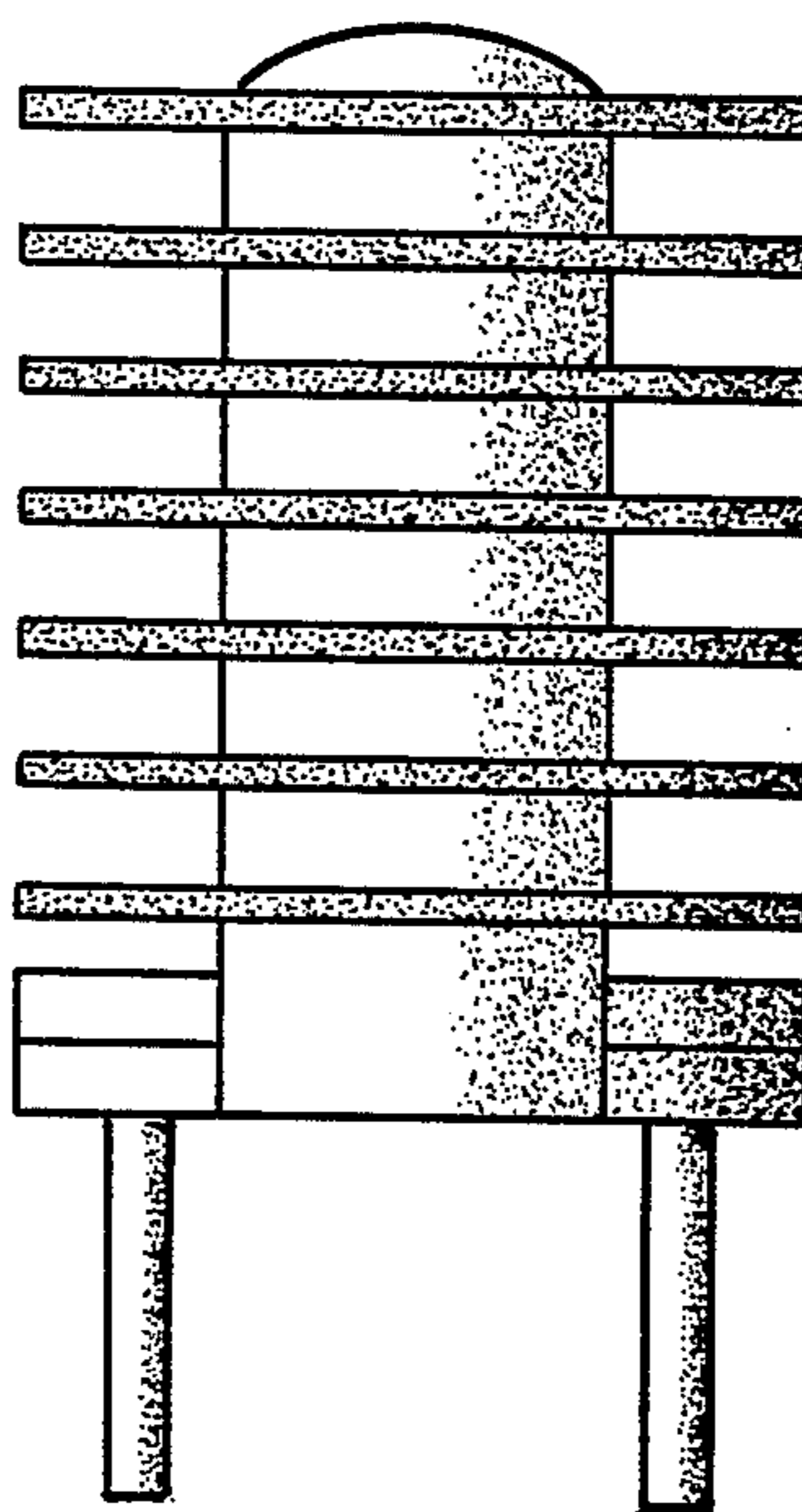


FIG. 5