

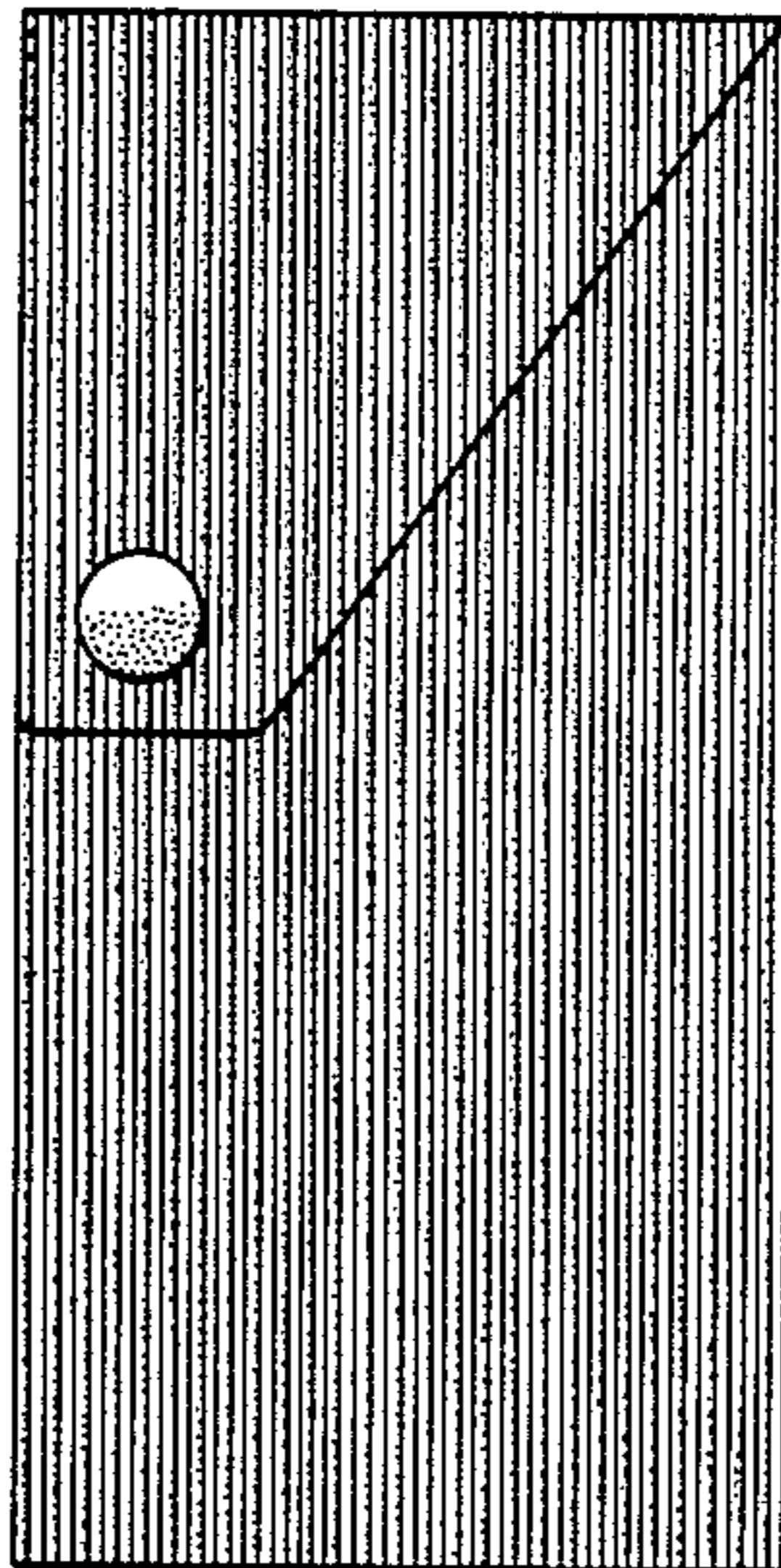
[54] **END FLAP SPECTACLE CASE**  
[75] **Inventor: Robert J. Marks, Las Vegas, Nev.**  
[73] **Assignee: California Optical Leather, Inc., San Leandro, Calif.**  
[\*\*] **Term: 14 Years**  
[21] **Appl. No.: 788,569**  
[22] **Filed: Oct. 17, 1985**  
[52] **U.S. Cl. .... D3/34**  
[58] **Field of Search ..... D3/34, 30.1, 52, 79, D3/56-60; 206/5, 6, 38**

[56] **References Cited**  
**U.S. PATENT DOCUMENTS**  
D. 135,769 6/1943 Jolles ..... D3/52  
D. 187,321 2/1960 Mayer ..... D3/79 X  
**OTHER PUBLICATIONS**  
Optician, 5-1982, p. 3, Buttonover Spetacle Case 3117.

*Primary Examiner—Bernard Ansher*  
*Assistant Examiner—Terry Pfeffer*  
*Attorney, Agent, or Firm—Harris Zimmerman; Howard Cohen*

[57] **CLAIM**  
The ornamental design for a end flap spectacle case, as shown and described.

**DESCRIPTION**  
FIG. 1 is a front elevational view of an end flap spectacle case showing my new design;  
FIG. 2 is a front perspective view thereof;  
FIG. 3 is a front elevational view thereof;  
FIG. 4 is a rear elevational view thereof;  
FIG. 5 is a bottom plan view thereof;  
FIG. 6 is a top plan view thereof;  
FIG. 7 is a right side elevational view thereof;  
FIG. 8 is a left side elevational view thereof; and  
FIG. 9 is a front elevational view thereof in an open position;  
FIGS. 2-9 are shown without corrugations for ease of illustration.



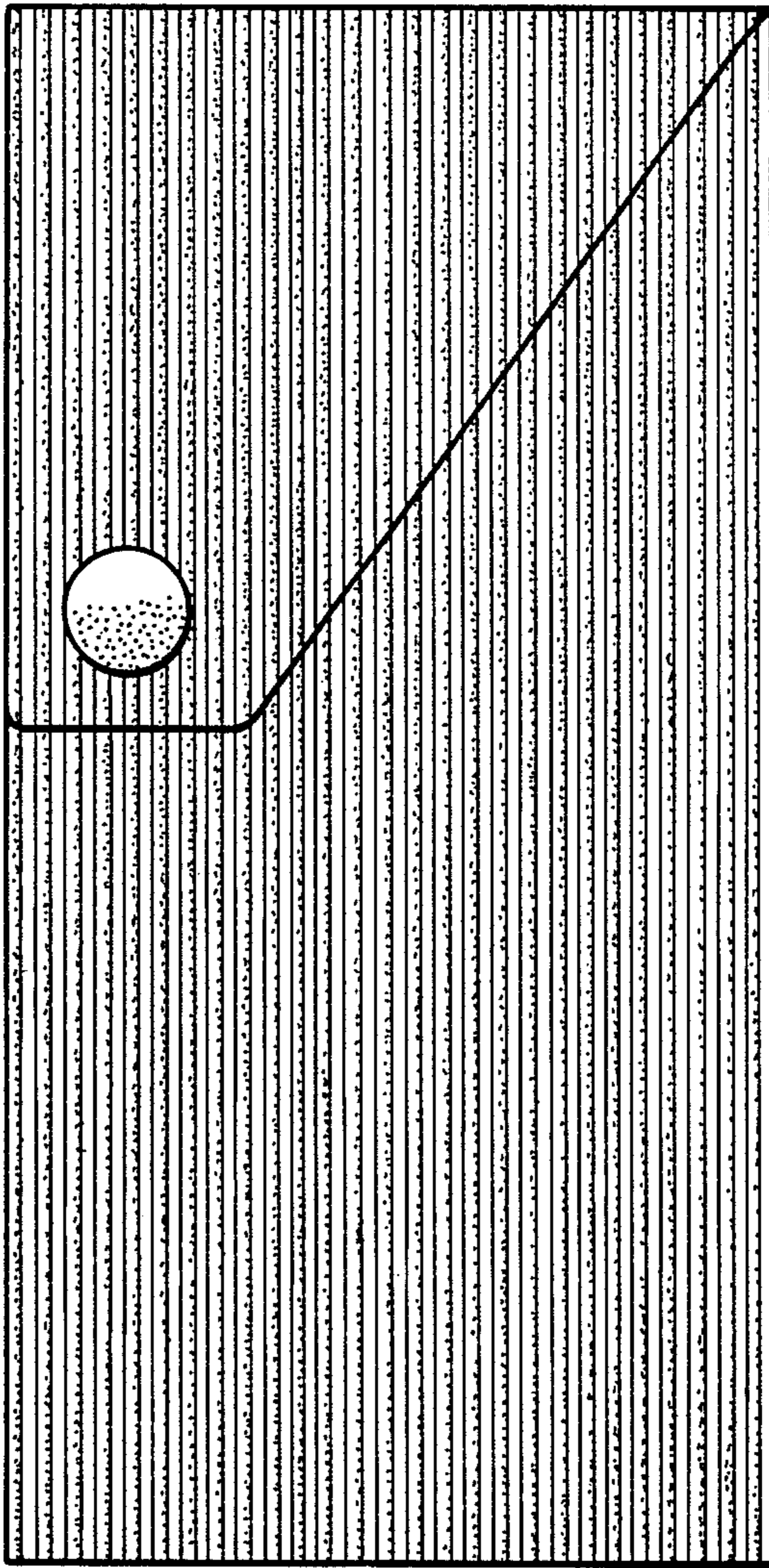


FIG - 1

FIG \_ 2

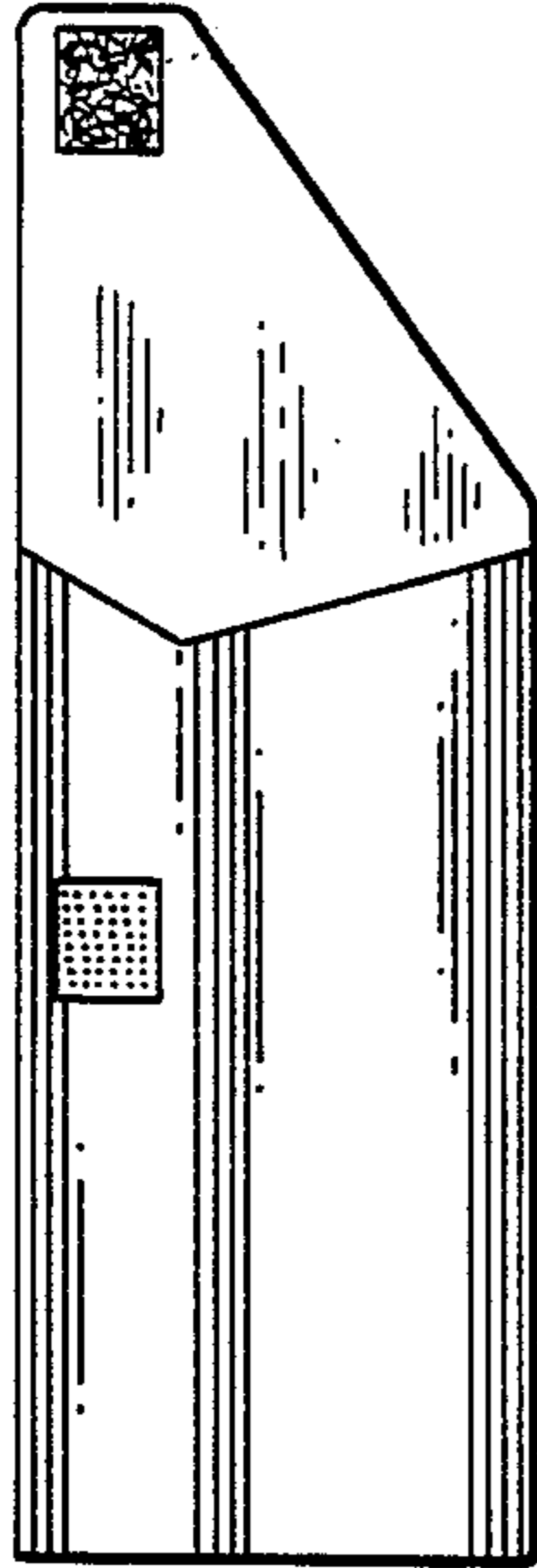
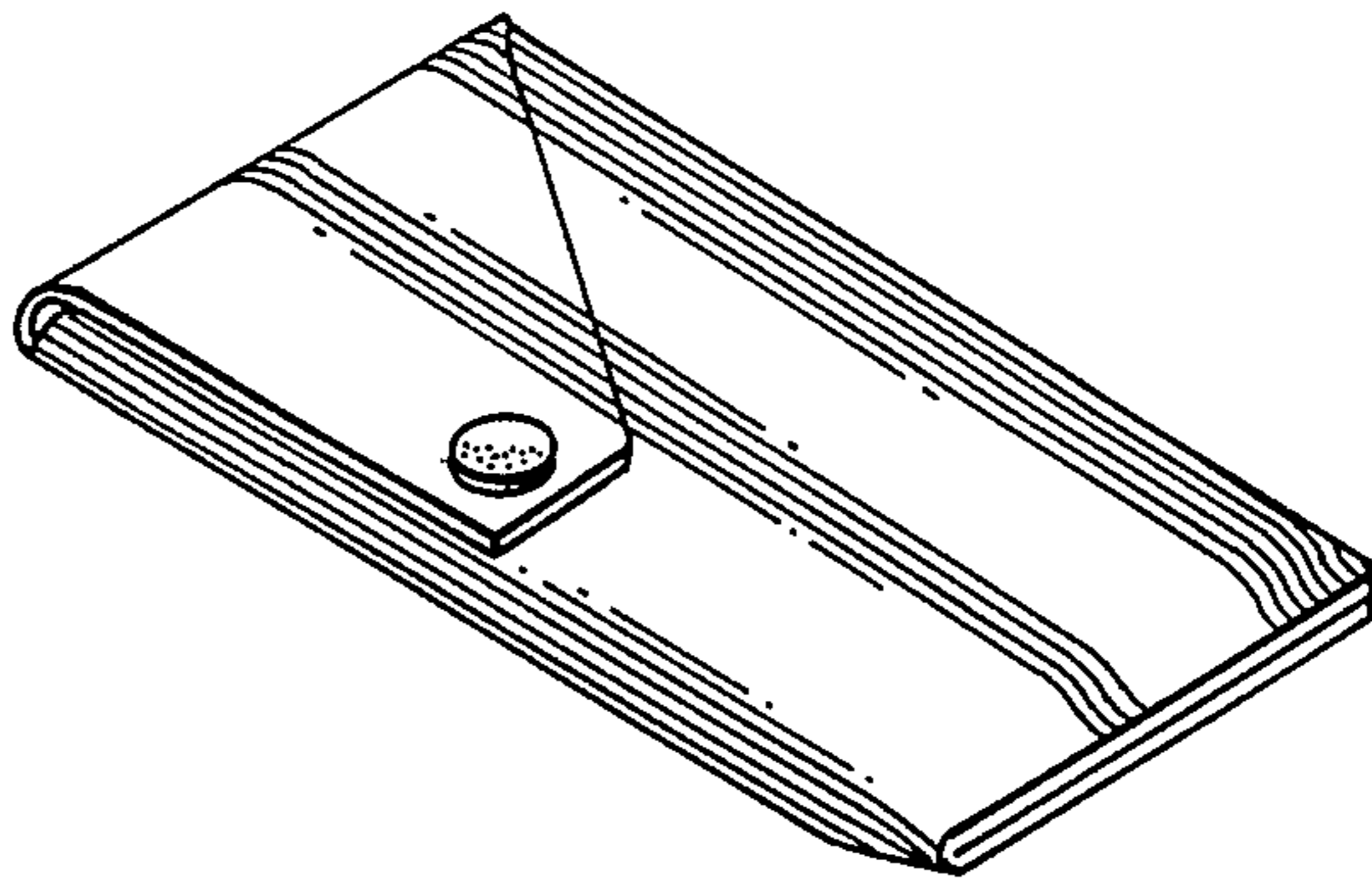


FIG \_ 9

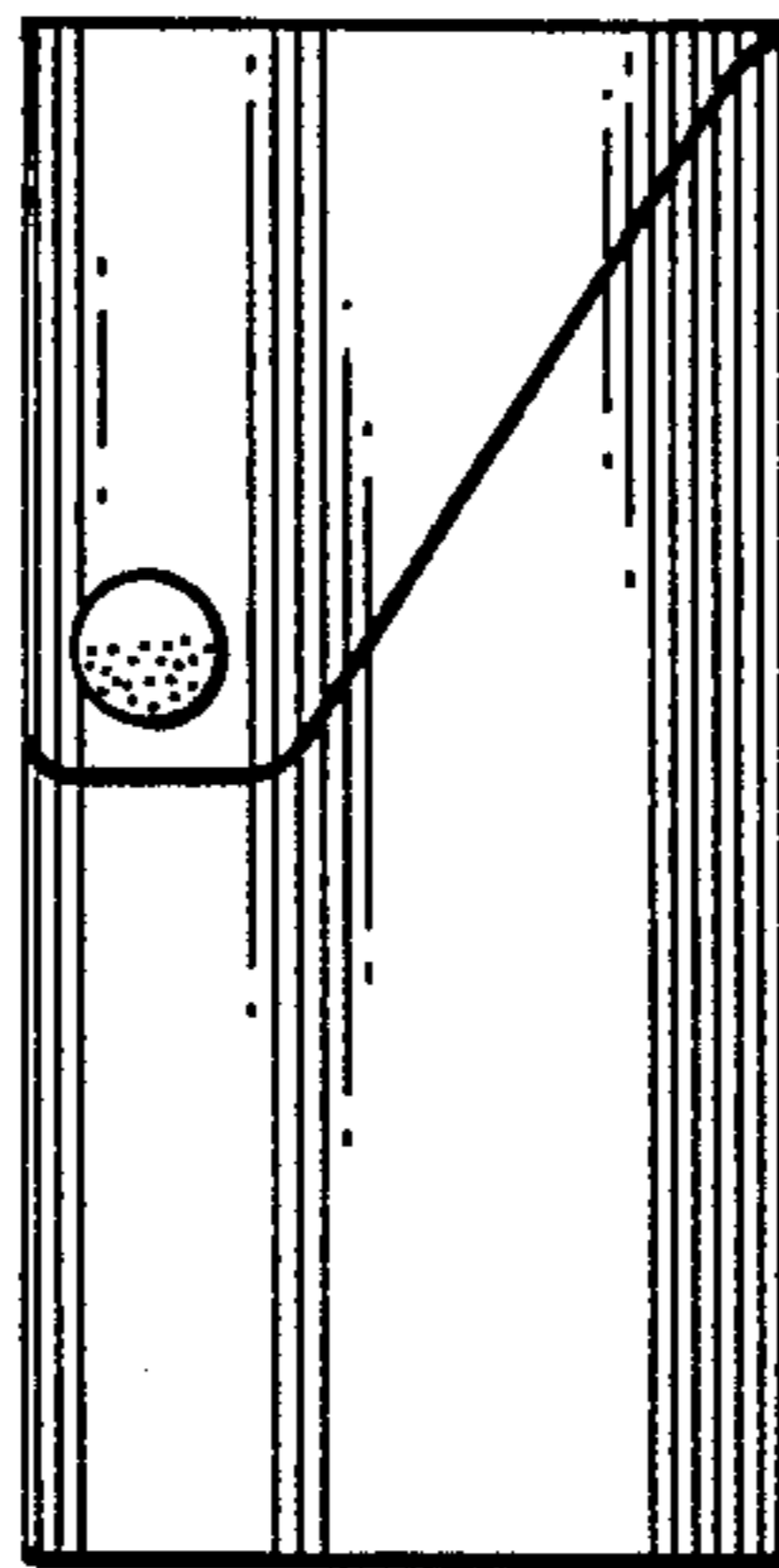


FIG \_ 3

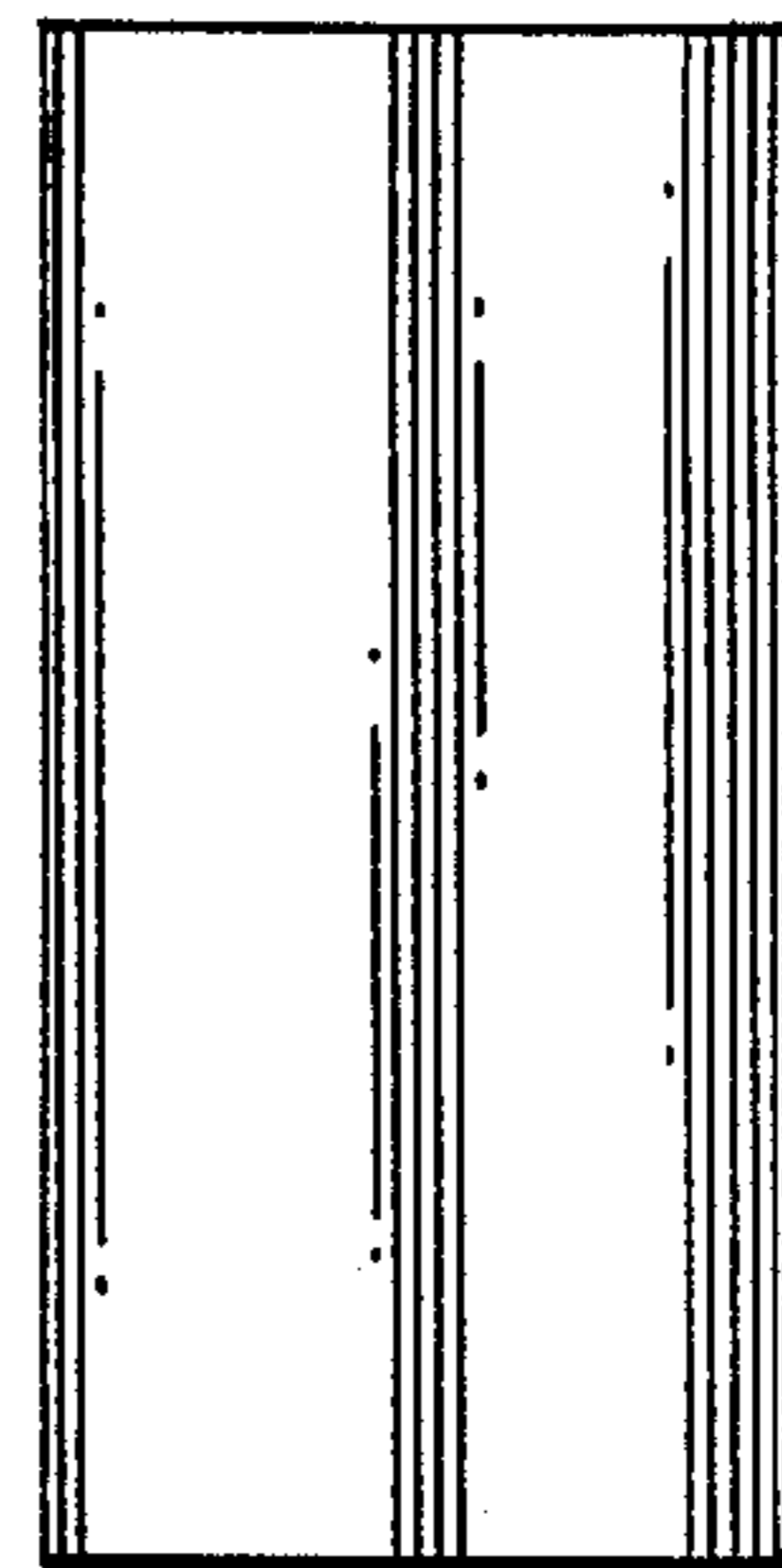


FIG \_ 4



FIG \_ 5



FIG \_ 6



FIG \_ 7



FIG \_ 8