

[54] **BELT PAD**

[76] **Inventor: Bearl D. Mathews, 6917 Miramar Cir., Forth Worth, Tex. 76126**

[**] **Term: 14 Years**

[21] **Appl. No.: 803,618**

[22] **Filed: Dec. 2, 1985**

[52] **U.S. Cl. D2/639; D11/200**

[58] **Field of Search D11/200, 201, 218, 213-216, D11/231, 234, 236, 237; 224/219, 222, 267, 901; 24/31 B; 297/482; D2/639**

[56] **References Cited**

U.S. PATENT DOCUMENTS

D. 238,912	2/1976	Stephens	D2/639
1,485,915	3/1924	Hammel	224/219
4,619,468	10/1986	Spill	297/482 X
4,741,574	5/1988	Weightman et al.	297/482

FOREIGN PATENT DOCUMENTS

1368324 6/1964 France 297/482

Primary Examiner—Louis S. Zarfes
Attorney, Agent, or Firm—Arthur F. Zobal

[57] **CLAIM**

The ornamental design for a belt pad, as shown and described.

DESCRIPTION

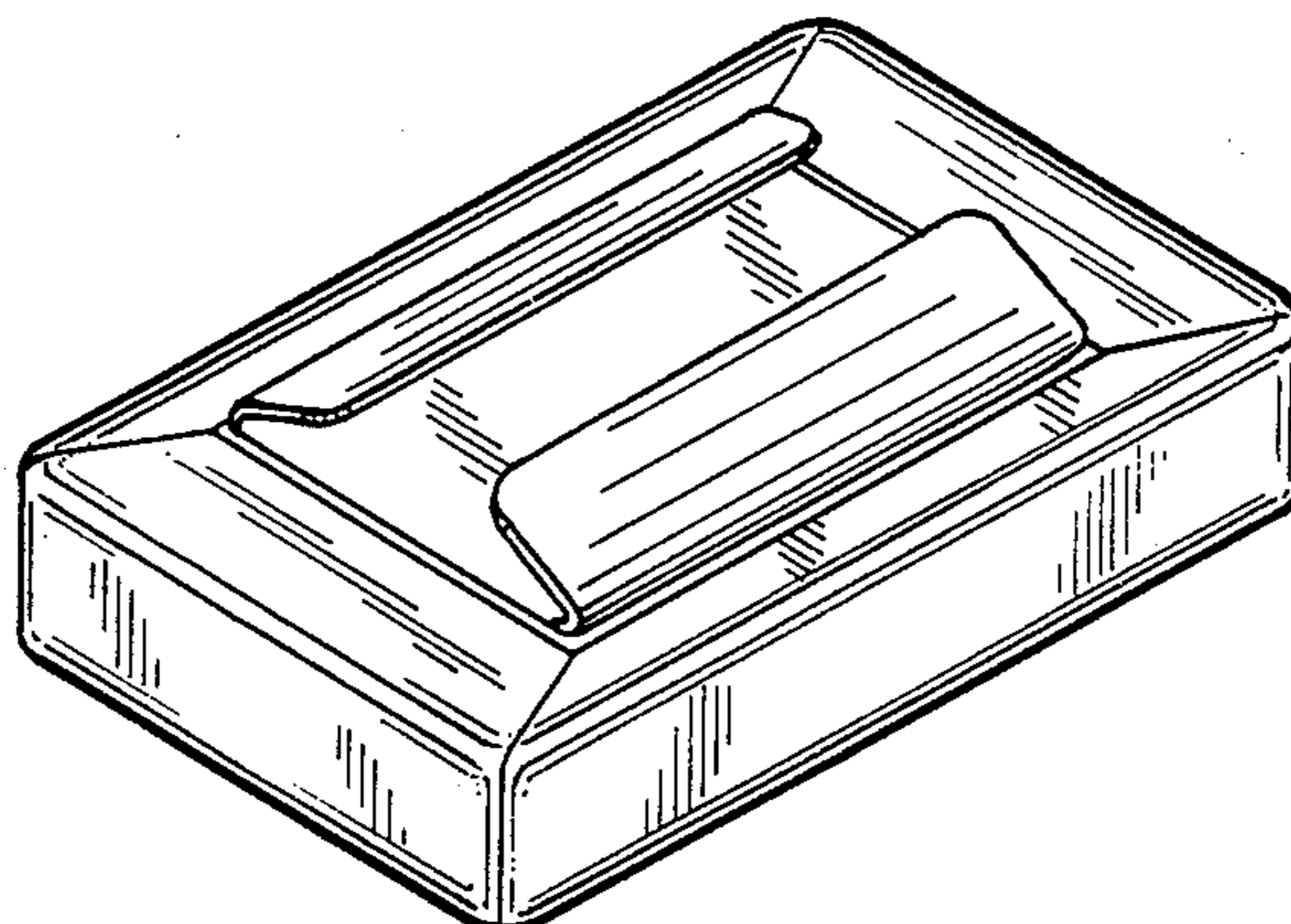
FIG. 1 is a top perspective view of a belt pad showing my new design;

FIG. 2 is a top plan view of the belt pad;

FIG. 3 is an elevational end view of the belt pad. The opposite elevational end view of the belt pad is the same as that of FIG. 3;

FIG. 4 is an elevational side view of the belt pad. The opposite elevational side view of the belt pad is the same as that of FIG. 4;

FIG. 5 is a bottom plan view of the belt pad.



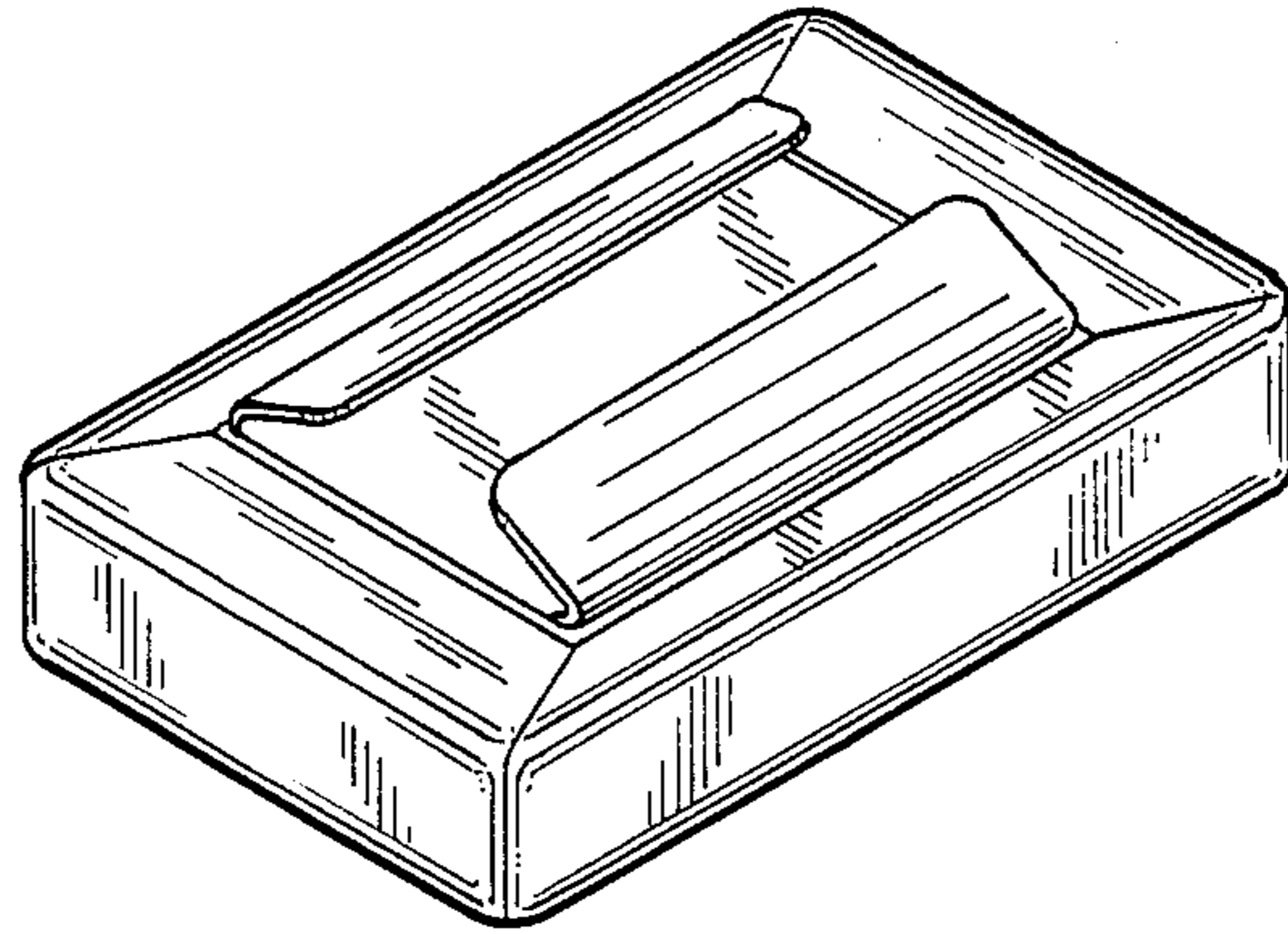


Fig. 1

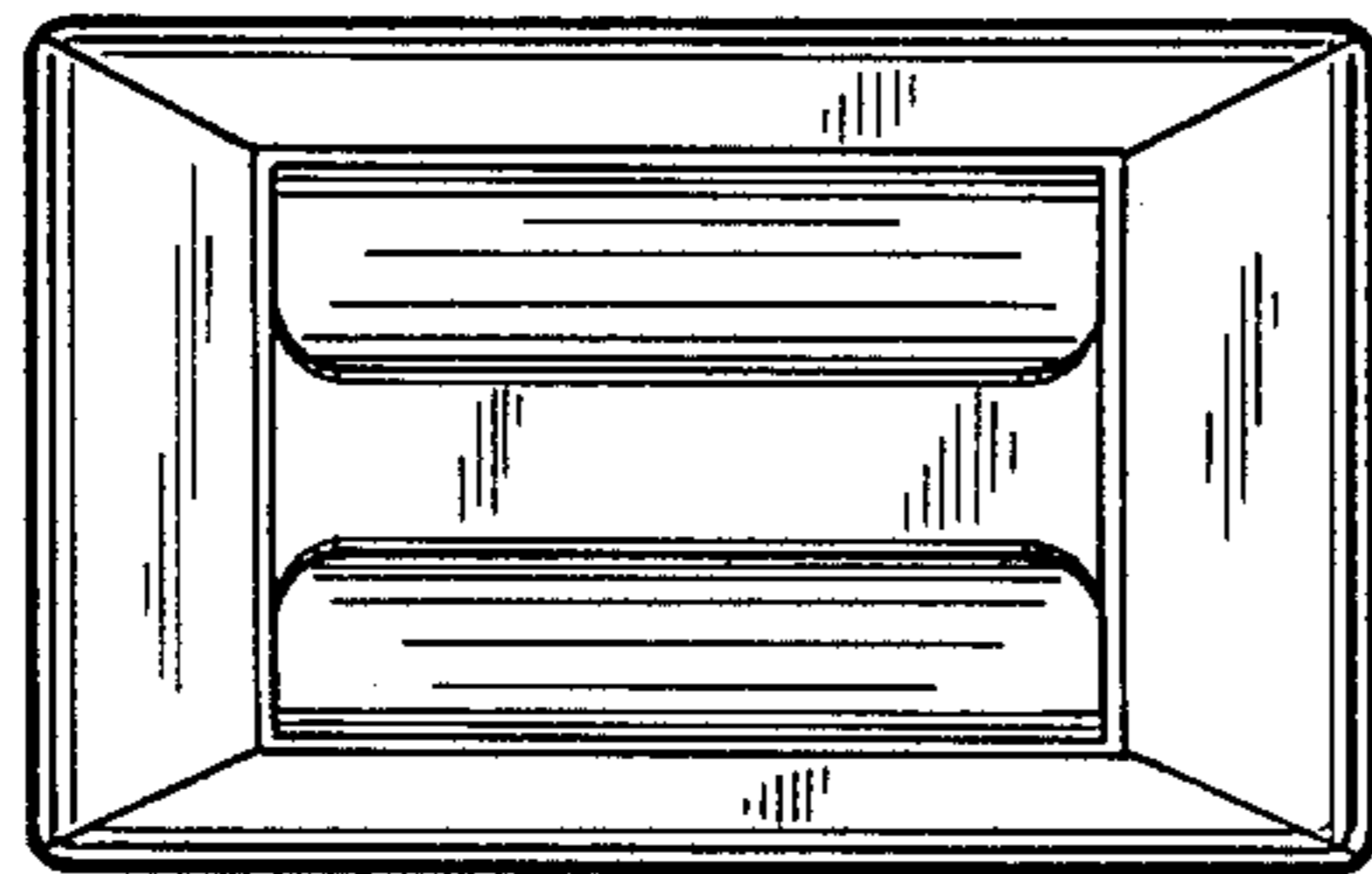


Fig. 2

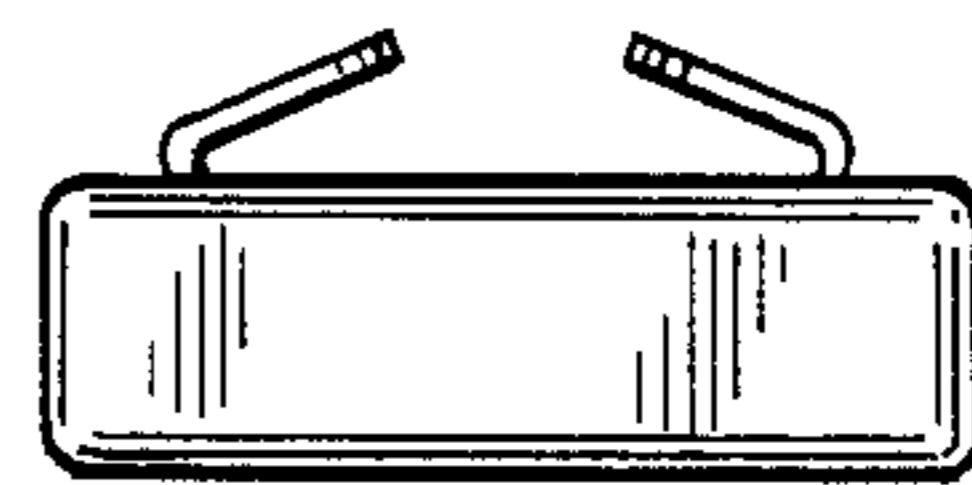


Fig. 3

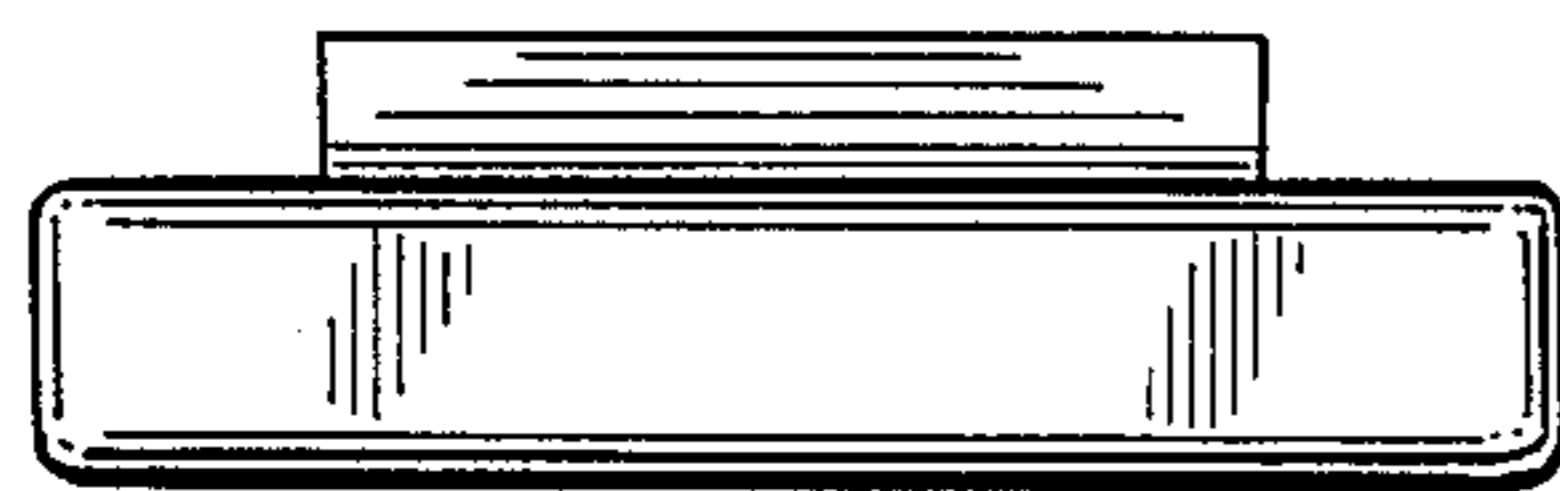


Fig. 4

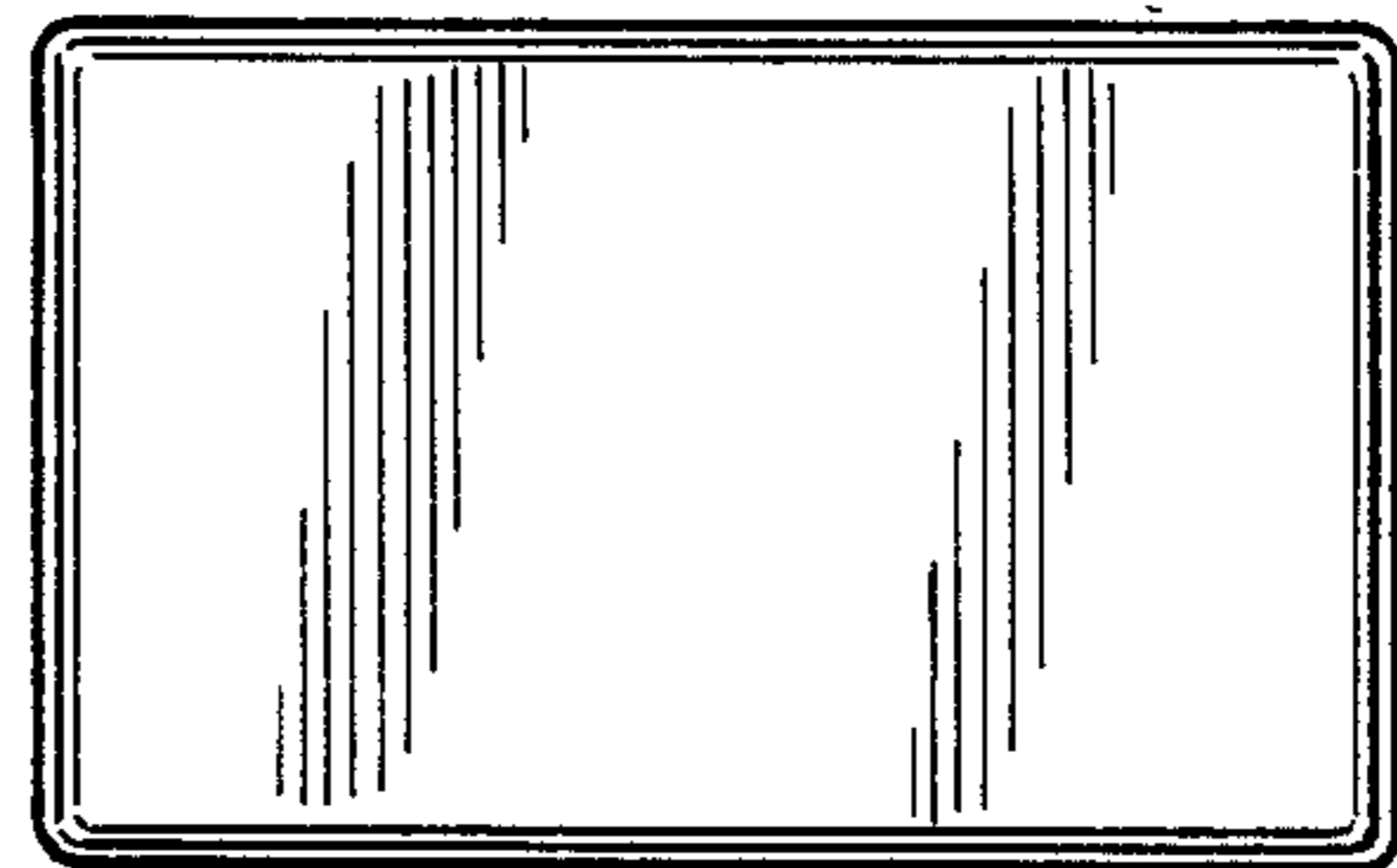


Fig. 5