

[54] PAIR OF LOADING PALLET GUARDS

[75] Inventor: Thomas N. DePew, St. Louis County, Mo.

[73] Assignee: Arrowhead Products, Inc., St. Louis, Mo.

[**] Term: 14 Years

[21] Appl. No.: 862,412

[22] Filed: May 9, 1986

[52] U.S. Cl. D34/38

[58] Field of Search D34/38; 108/51.1, 57.1, 108/53.1, 52.1, 55.3; D8/381; 206/386

[56] References Cited

U.S. PATENT DOCUMENTS

D. 238,862	2/1976	Hewson	D34/38
2,371,106	3/1945	Lewis et al.	D34/38
4,597,339	7/1986	McCaffrey et al.	D34/38
4,715,294	12/1987	DePew	108/51.1

Primary Examiner—Wallace R. Burke
Assistant Examiner—Kay H. Chin
Attorney, Agent, or Firm—Kalish & Gilster

[57] CLAIM

The ornamental design for a pair of loading pallet guards, as shown and described.

DESCRIPTION

FIG. 1 is a perspective view of a pair of loading pallet guards showing my new design, the broken lines are for illustrative purposes only and form no part of the claimed design;

FIG. 2 is a front elevational view of one of the loading pallet guards shown separately for clarity of illustration;

FIG. 3 is a rear elevational view of FIG. 2;

FIG. 4 is a top plan view of FIG. 2;

FIG. 5 is a bottom plan view of FIG. 2;

FIG. 6 is a side elevational view of FIG. 2;

FIG. 7 is a perspective view of a pair of loading pallet guards showing a second embodiment, the broken lines are for illustrative purposes only;

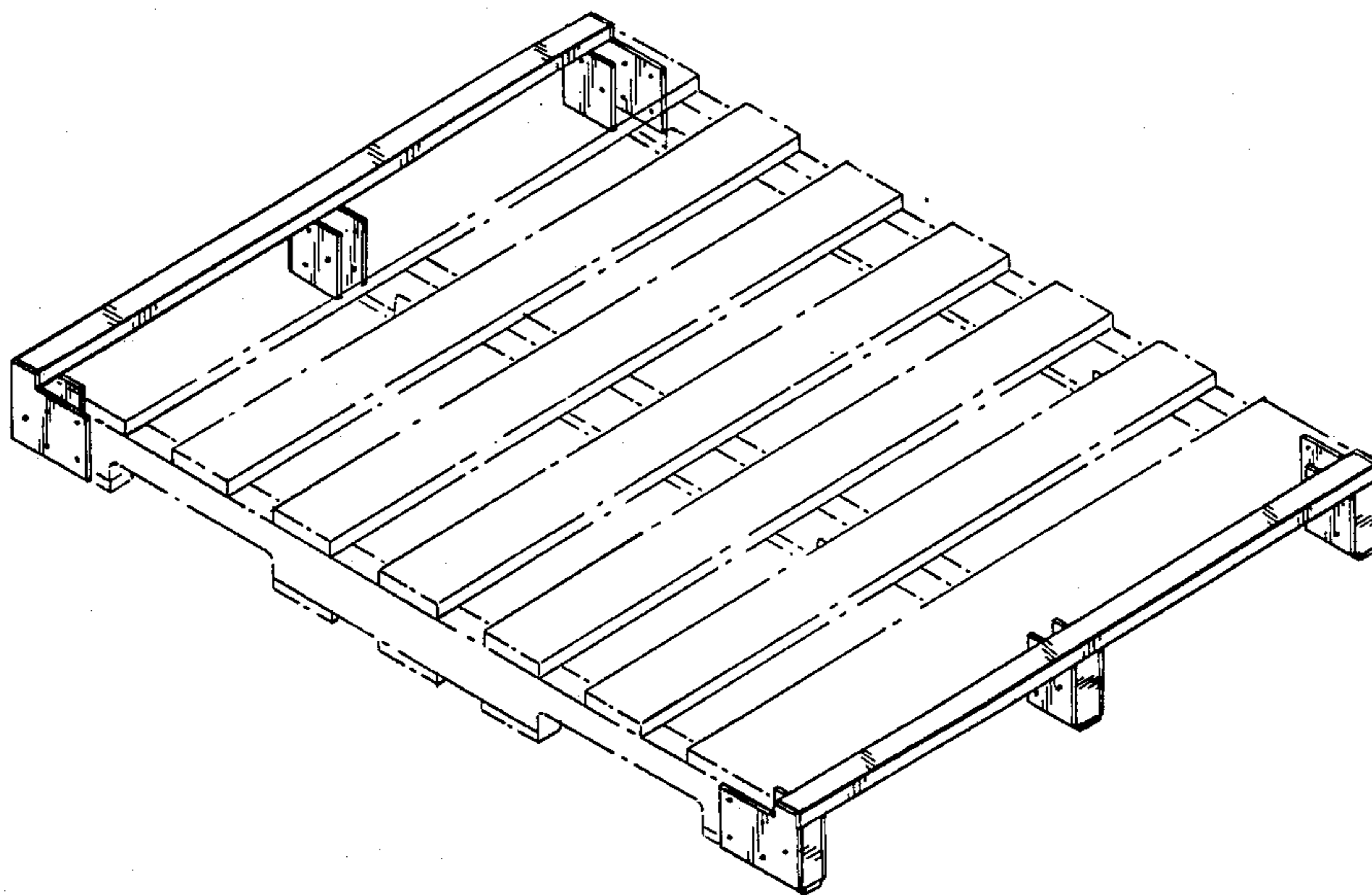
FIG. 8 is a front elevational view of one of the loading pallet guards of FIG. 7;

FIG. 9 is a rear elevational view of FIG. 8;

FIG. 10 is a top plan view of FIG. 8;

FIG. 11 is a bottom plan view of FIG. 8; and

FIG. 12 is a side elevational view of FIG. 8.



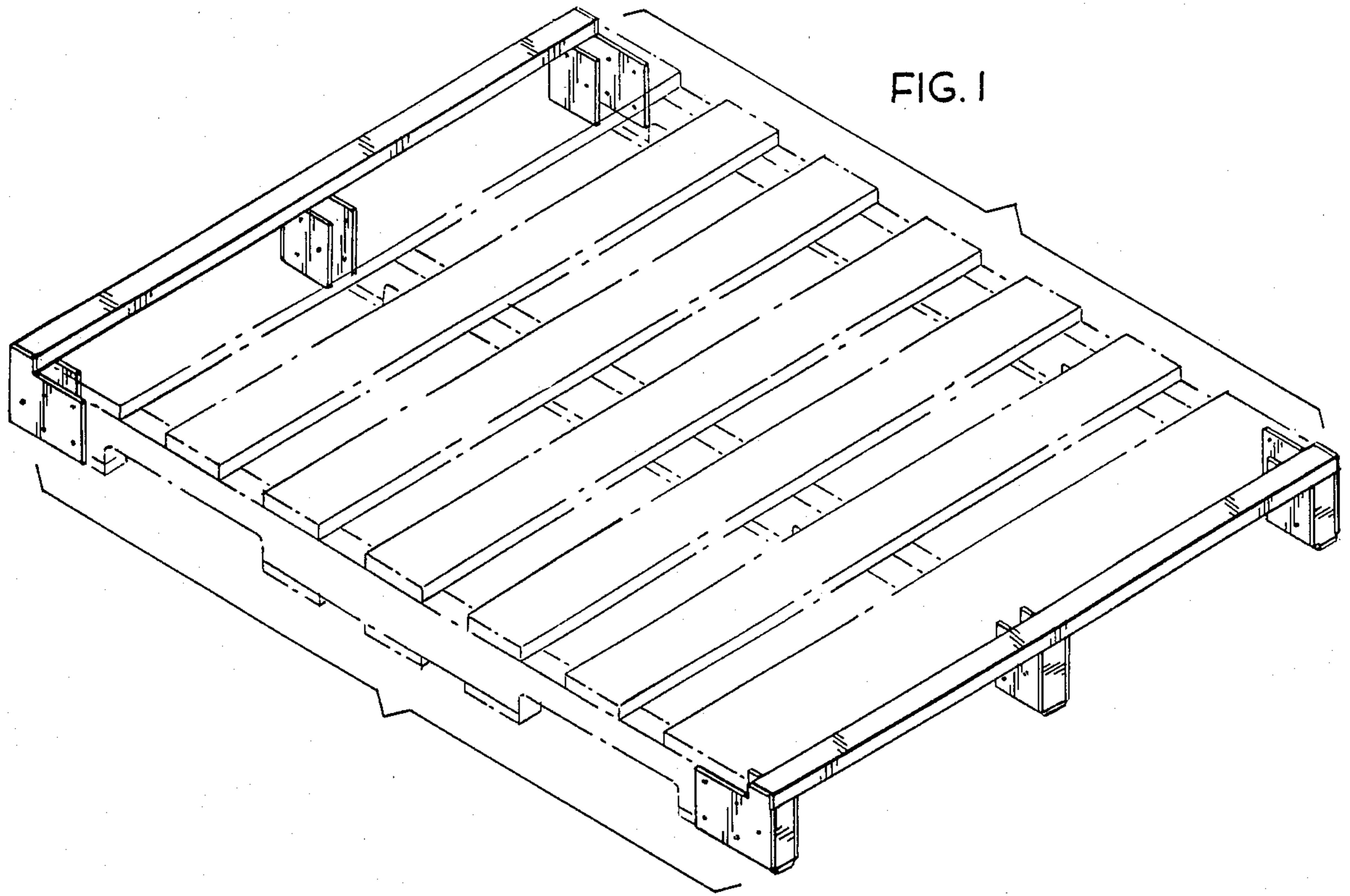


FIG. 2

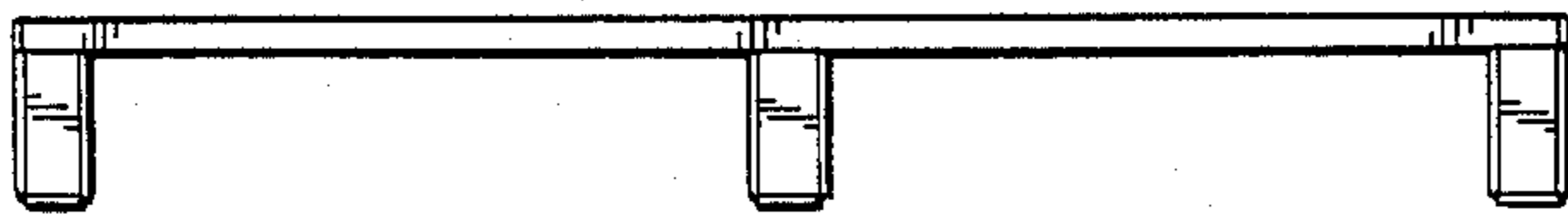


FIG. 3

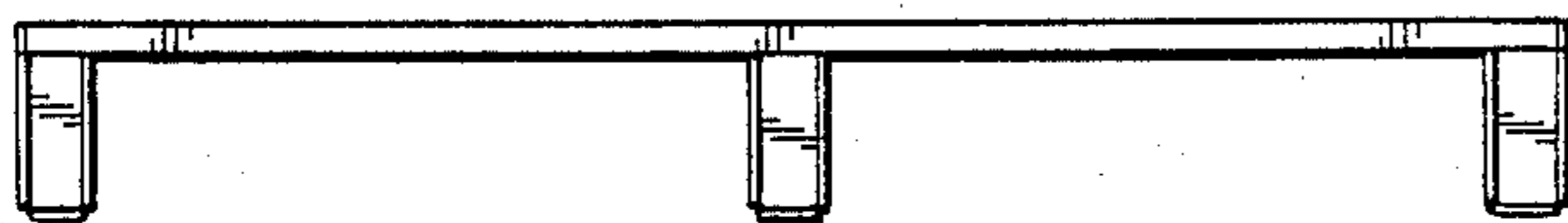


FIG. 4

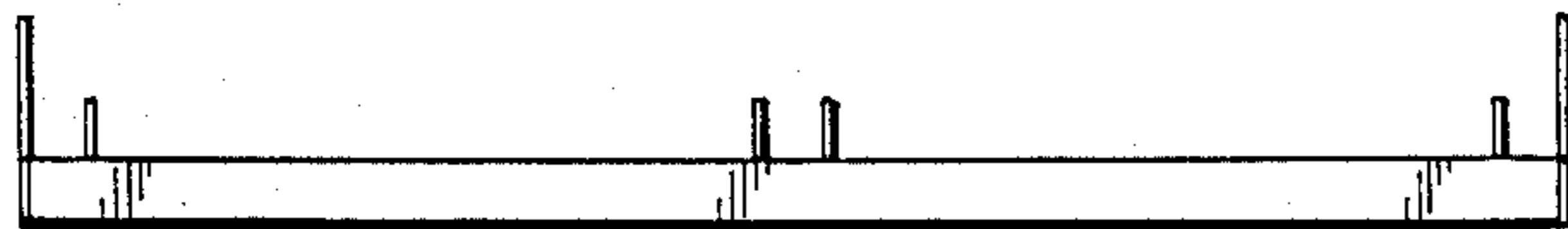


FIG. 5



FIG. 6

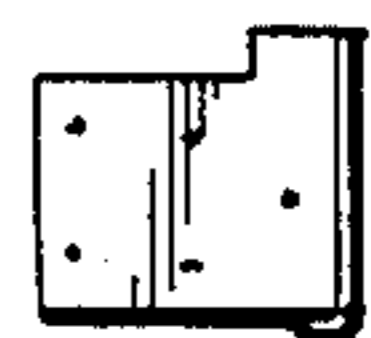


FIG. 7

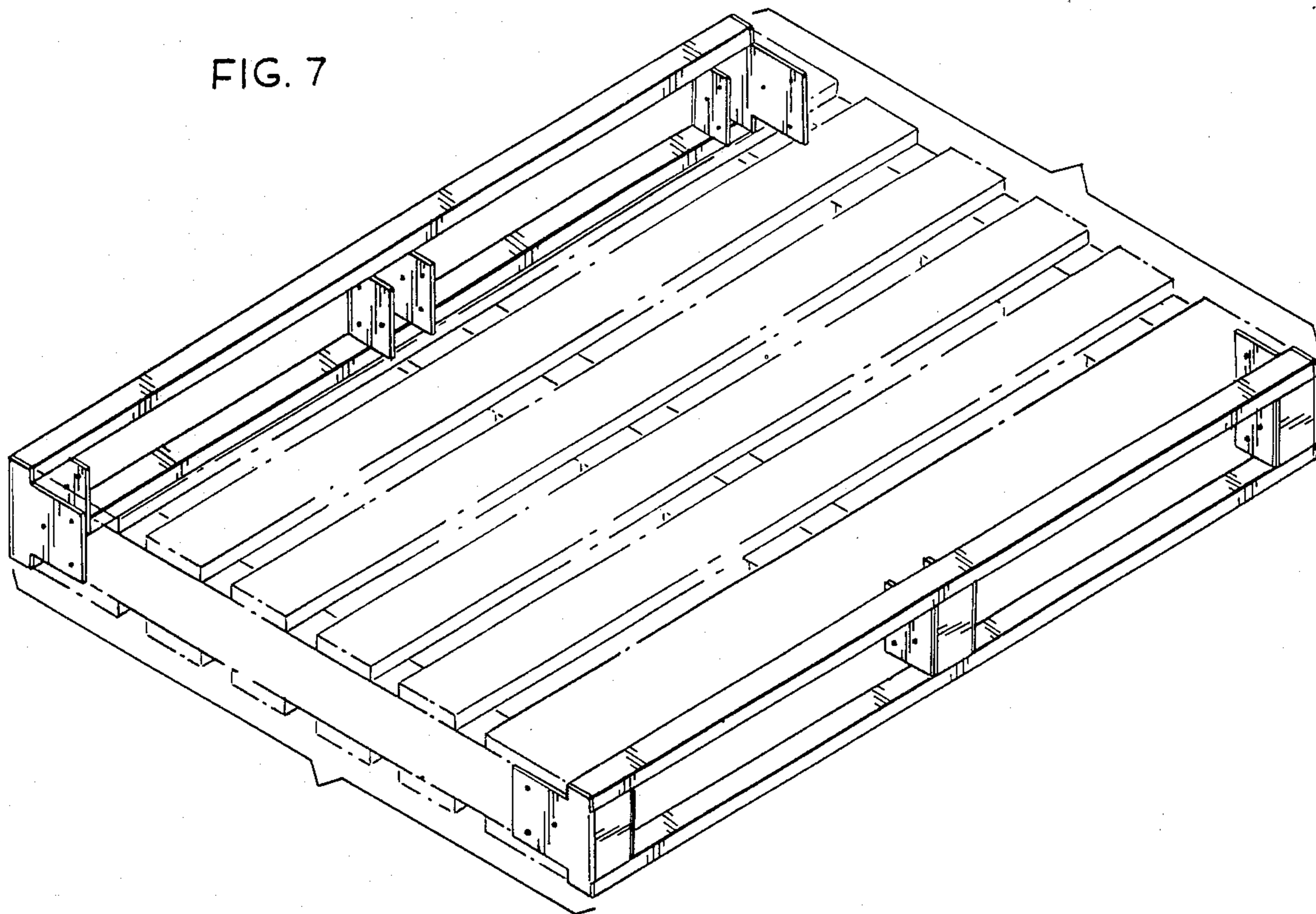


FIG. 8

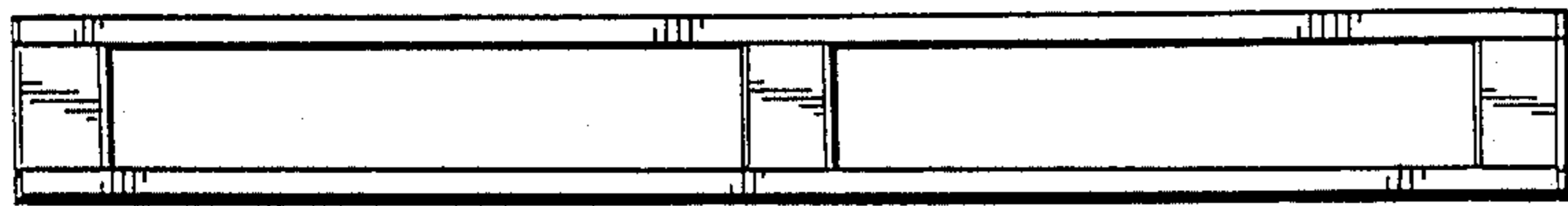


FIG. 9

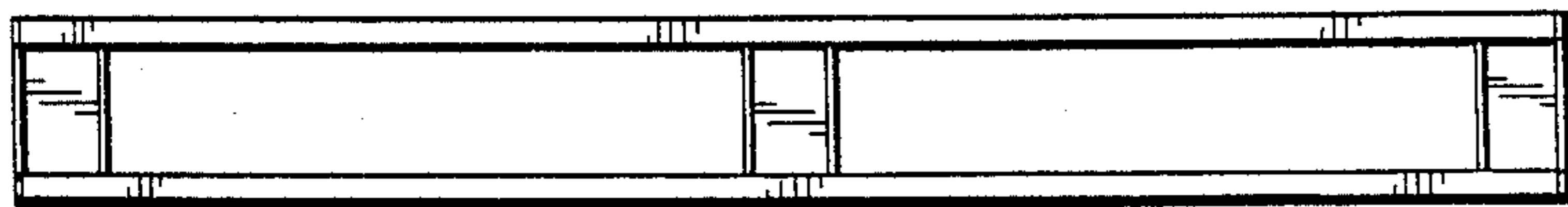


FIG. 10



FIG. 11

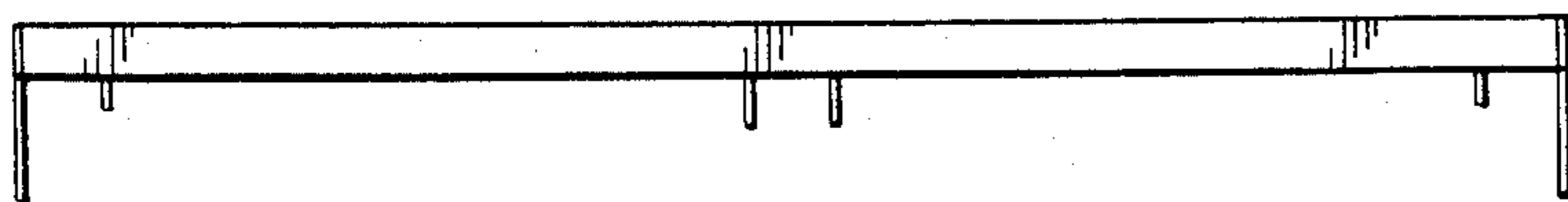


FIG. 12

