

United States Patent [19]

Szpot

[11] Patent Number: **Des. 301,078**

[45] Date of Patent: **** May 9, 1989**

[54] **CREEPER**

[75] Inventor: **Russell F. Szpot, Wilmington, Ohio**

[73] Assignee: **MAC Tool, Inc., Washington Court House, Ohio**

[**] Term: **14 Years**

[21] Appl. No.: **122,890**

[22] Filed: **Nov. 19, 1987**

[52] U.S. Cl. **D34/23**

[58] Field of Search **D34/23, 12, 17; 280/32.5, 32.6, 79.1 R, 79.1 A**

[56] **References Cited**

U.S. PATENT DOCUMENTS

D. 152,008 12/1948 Lucas 280/32.6
2,124,389 7/1938 Woelfer, Jr. 280/32.6
4,244,594 1/1981 Hines 280/32.6

FOREIGN PATENT DOCUMENTS

963389 7/1964 United Kingdom 280/32.6

2178702 2/1987 United Kingdom 280/32.6
2198994 6/1988 United Kingdom 280/32.6

Primary Examiner—Wallace R. Burke
Assistant Examiner—Kay H. Chin
Attorney, Agent, or Firm—Biebel, French & Nauman

[57] **CLAIM**

The ornamental design for a creeper, as shown and described.

DESCRIPTION

FIG. 1 is a perspective view of a creeper showing my new design, the broken lines are for illustrative purposes only and form no part of the claim design;
FIG. 2 is a top plan view thereof;
FIG. 3 is a side elevational view thereof, the opposite side elevational view being a mirror image of that shown;
FIG. 4 is a rear elevational view thereof;
FIG. 5 is a front elevational view thereof;
FIG. 6 is a bottom plan view thereof; and
FIG. 7 is a longitudinal cross-sectional view thereof.

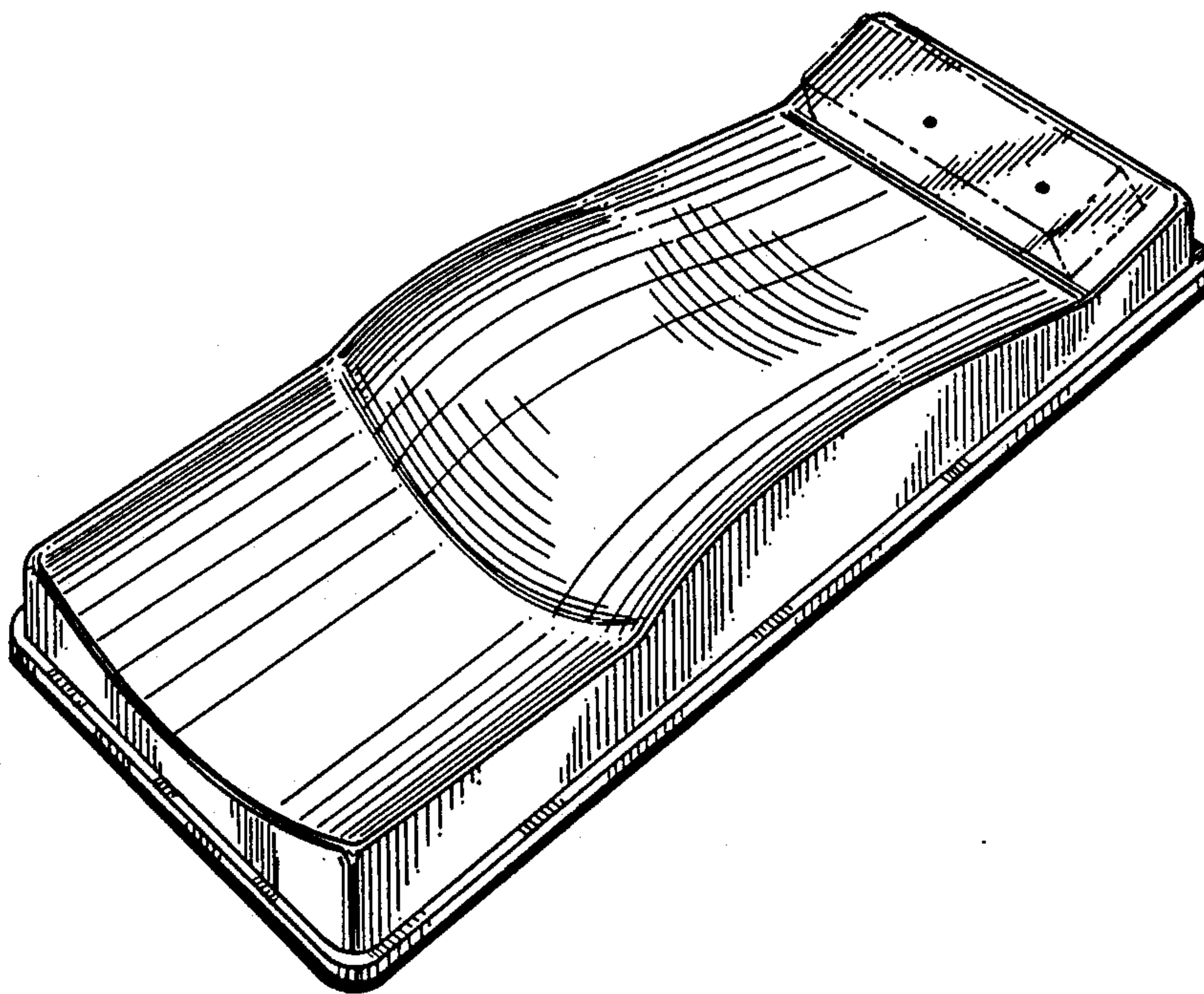


FIG-1

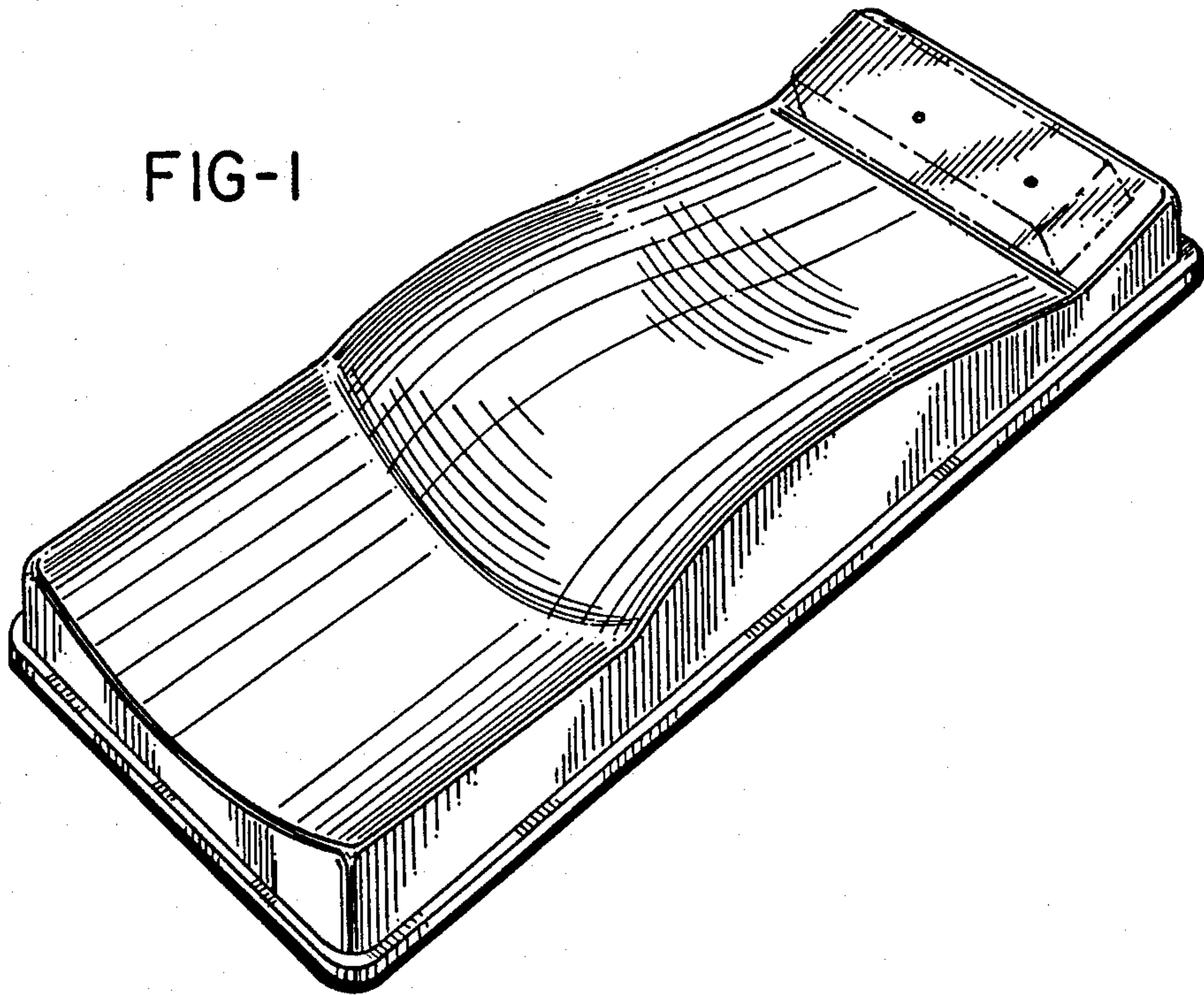


FIG-2

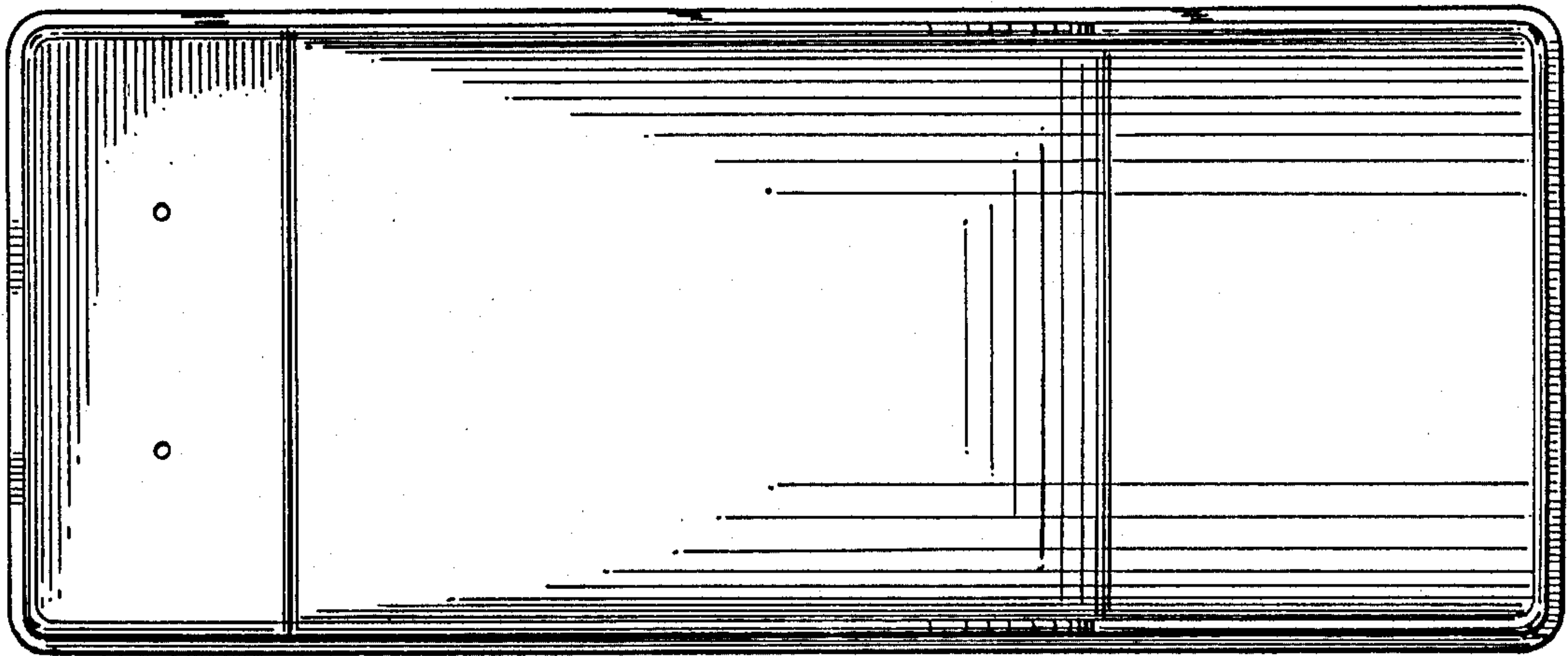


FIG-3

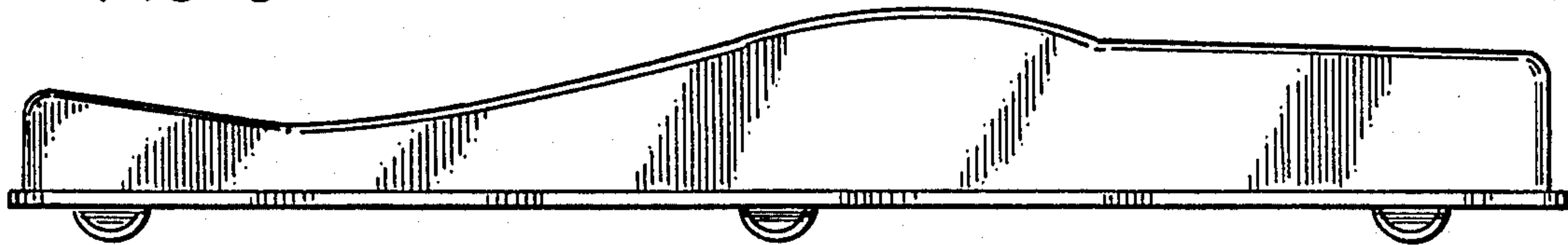


FIG-4

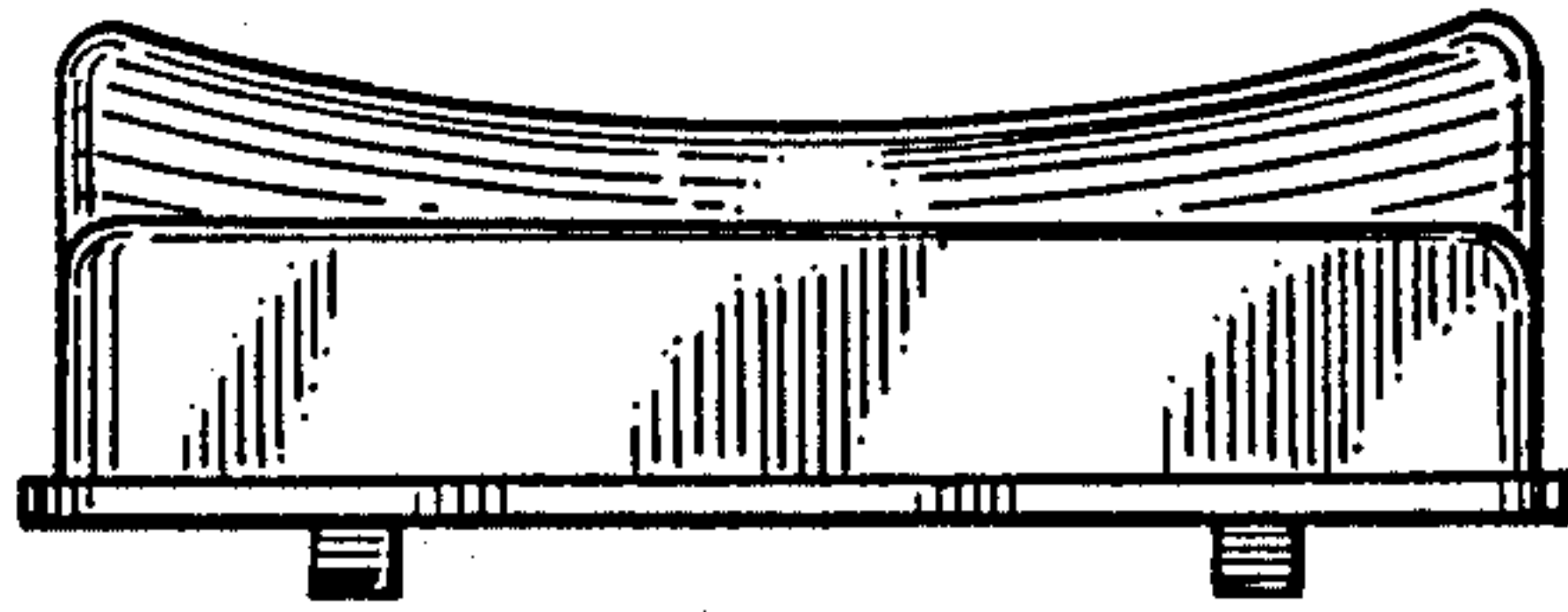


FIG-5

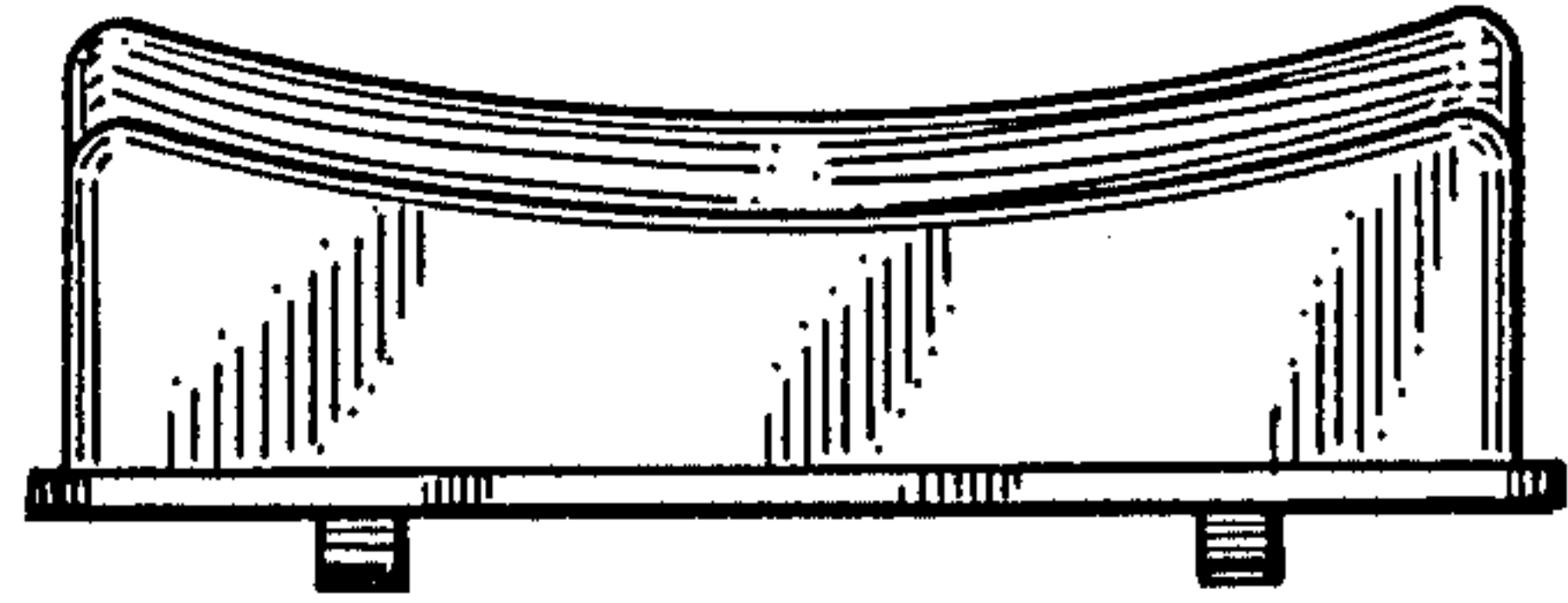


FIG-6

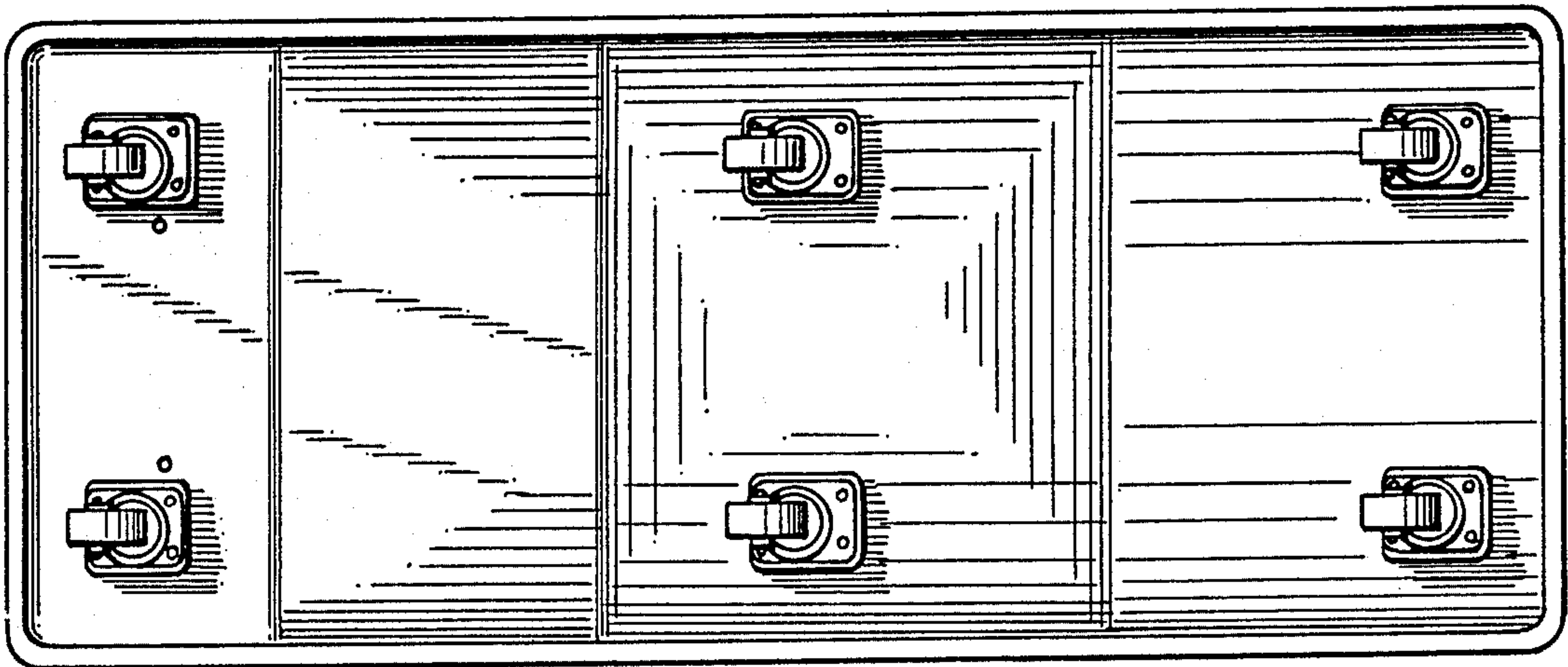


FIG-7

