

[54] LAUNDRY WRINGER

[76] Inventor: Elmer Haack, Box 210, Franklin, Mich. 48025

[**] Term: 14 Years

[21] Appl. No.: 35,131

[22] Filed: Apr. 6, 1987

[52] U.S. Cl. D32/27

[58] Field of Search D32/1, 7, 8, 25, 27; 68/241, 244, 248, 264, 21, 22 A, 22 R

[56] References Cited

U.S. PATENT DOCUMENTS

56,449	7/1866	Reeves	68/244
198,493	12/1877	Lovell	68/244
256,846	4/1982	Mayall	68/244
3,142,068	7/1964	Leventhal	68/22 A

3,201,804 8/1965 Masters 68/241

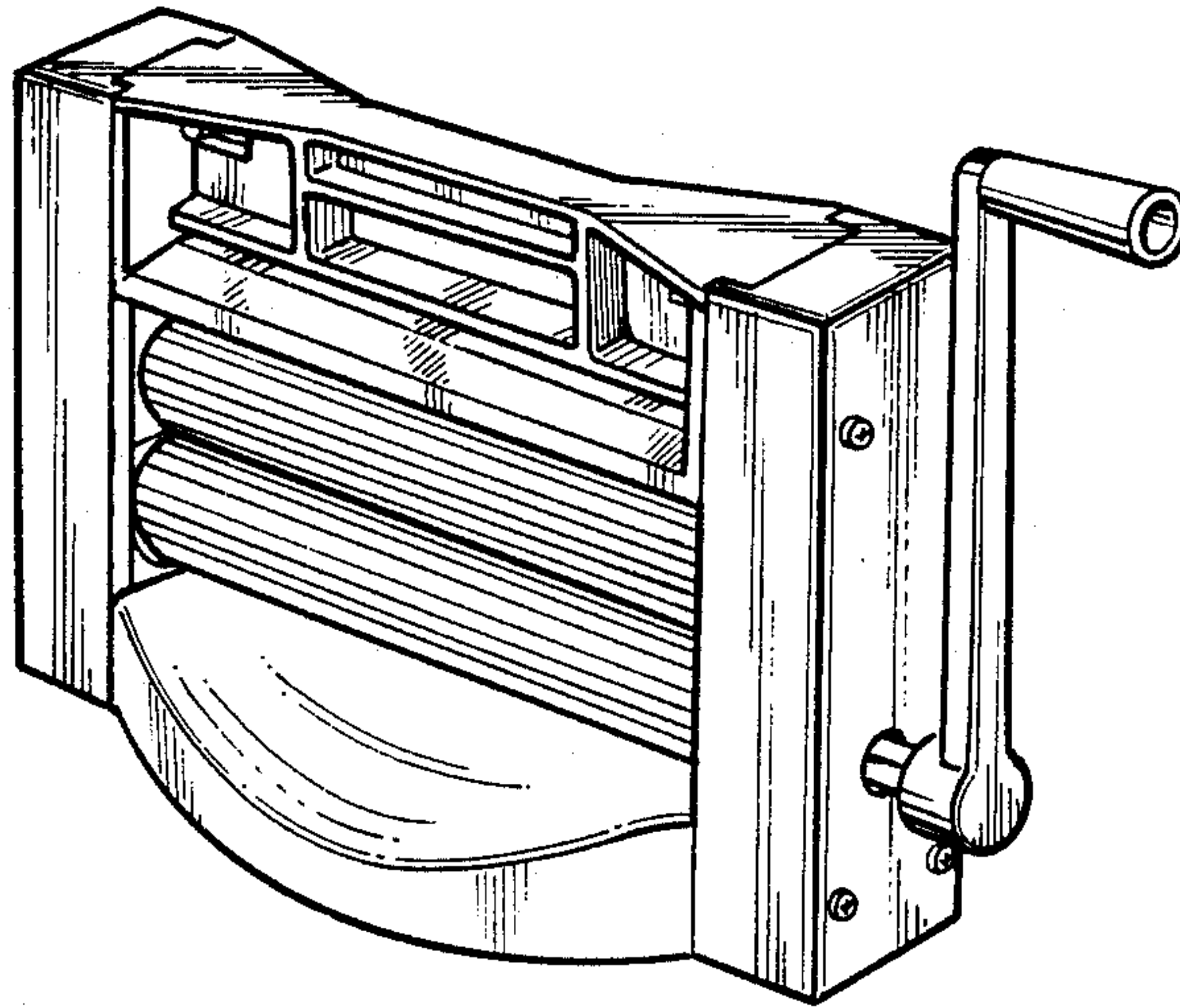
Primary Examiner—Bruce W. Dunkins
Assistant Examiner—Ruth Takemoto
Attorney, Agent, or Firm—Gifford, Groh, Sheridan, Sprinkle and Dolgorukov

[57] CLAIM

The ornamental design for a laundry wringer, as shown and described.

DESCRIPTION

FIG. 1 is a top, front and right side perspective view of a laundry wringer showing my new design; FIG. 2 is a front elevational view thereof; FIG. 3 is a right side elevational view thereof; FIG. 4 is a rear elevational view thereof; FIG. 5 is a left side elevational view thereof; FIG. 6 is a top plan view thereof; and FIG. 7 is a bottom plan view thereof.



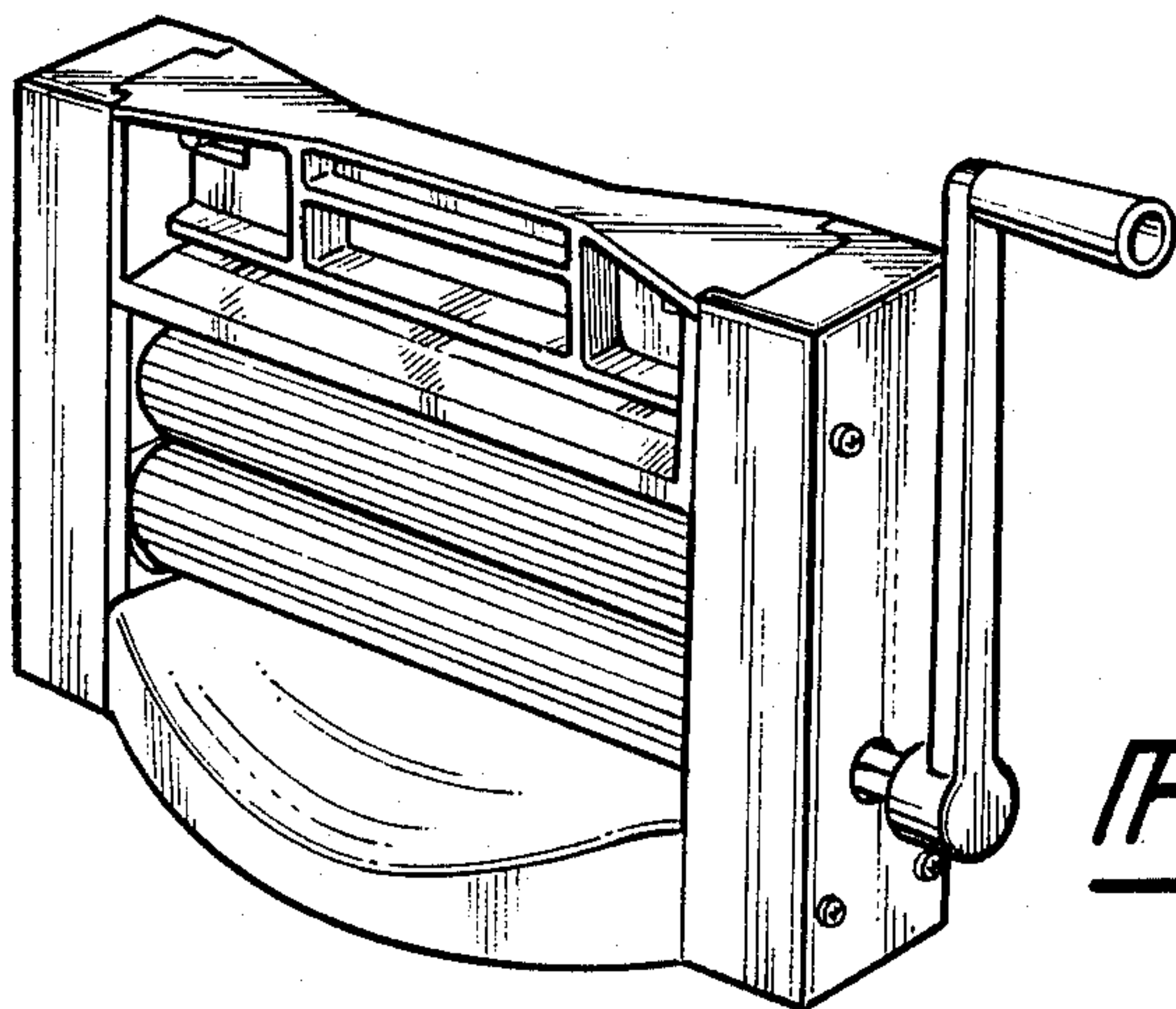


Fig-1

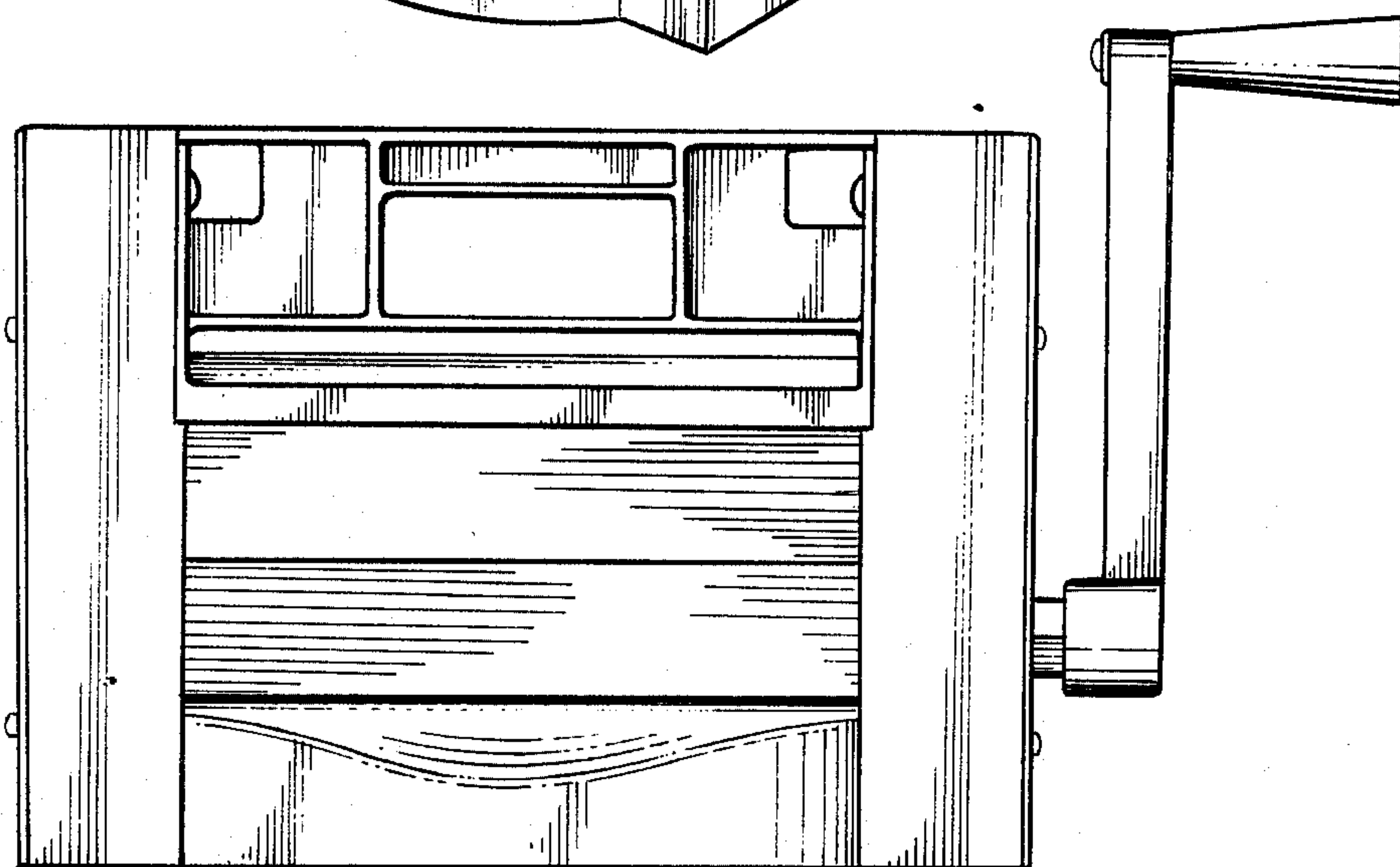


Fig-2

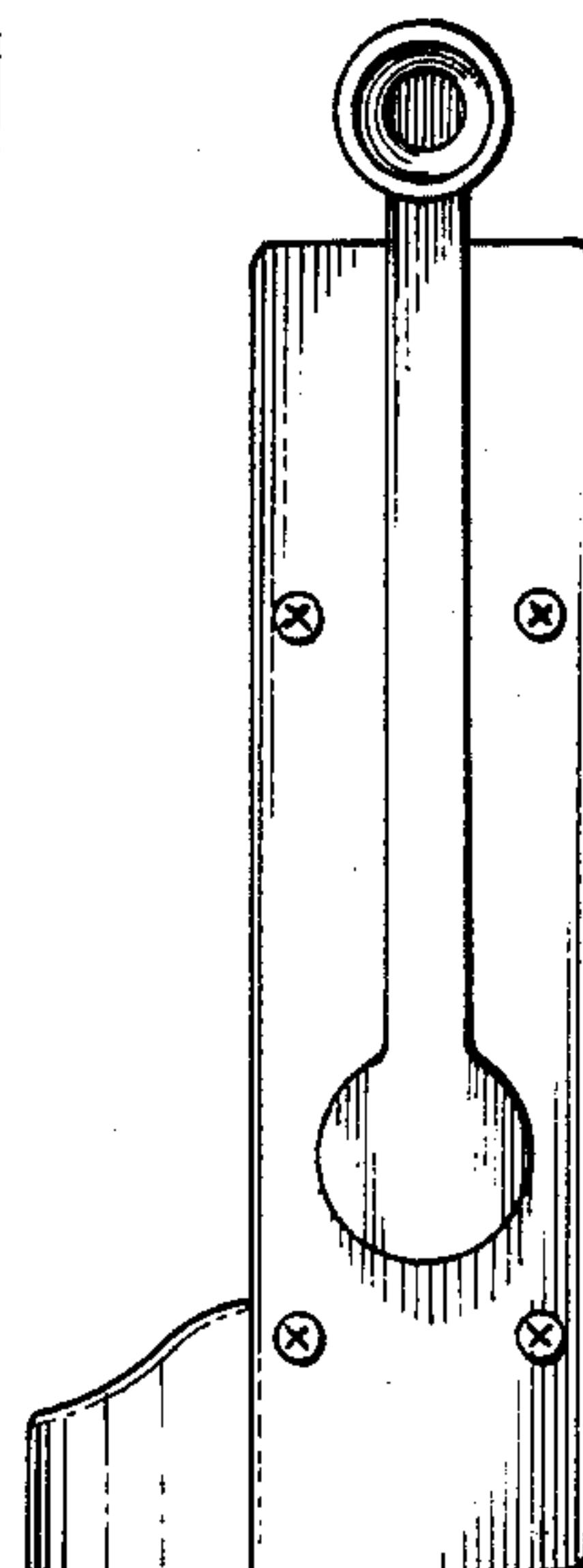


Fig-3

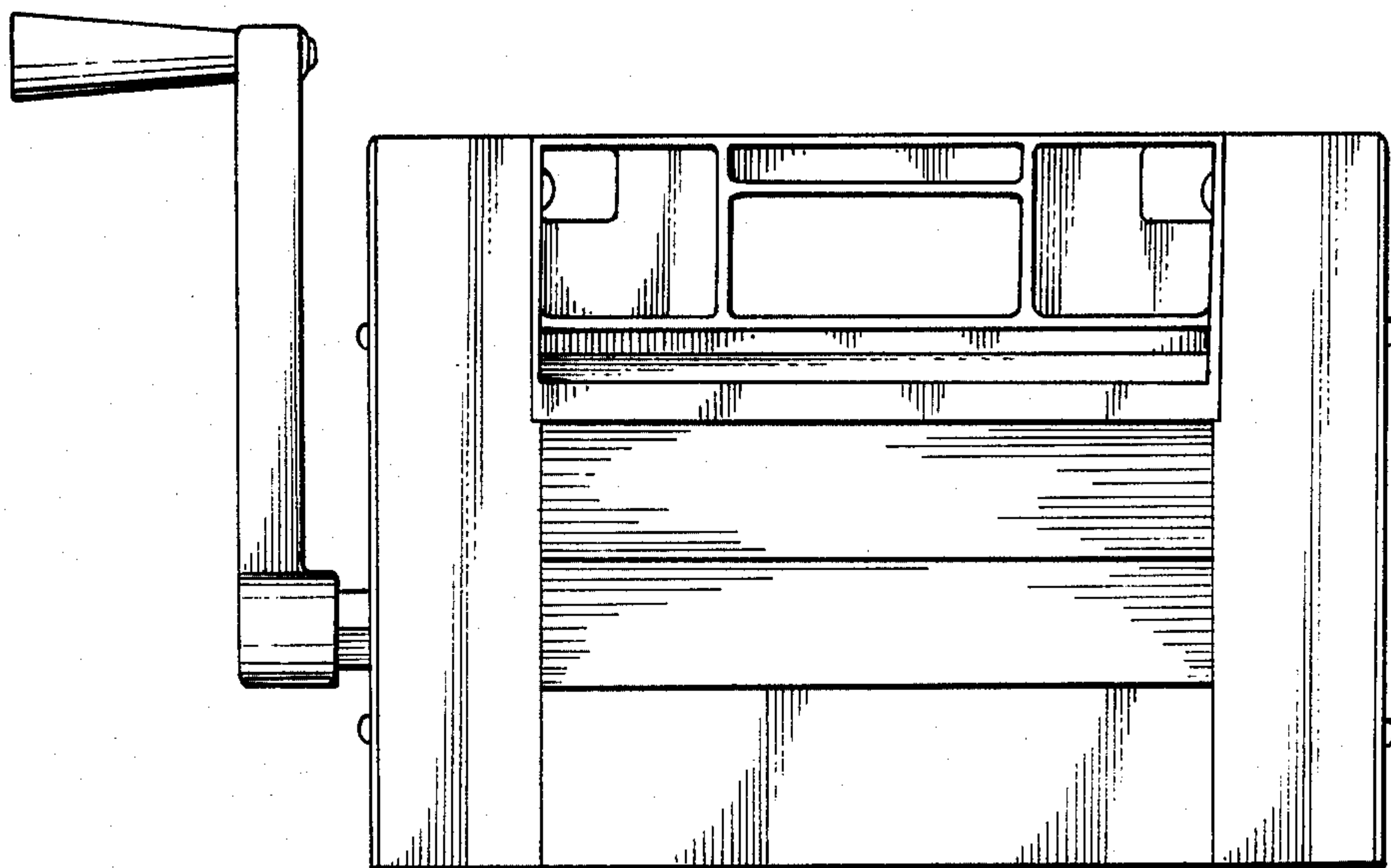


Fig-4

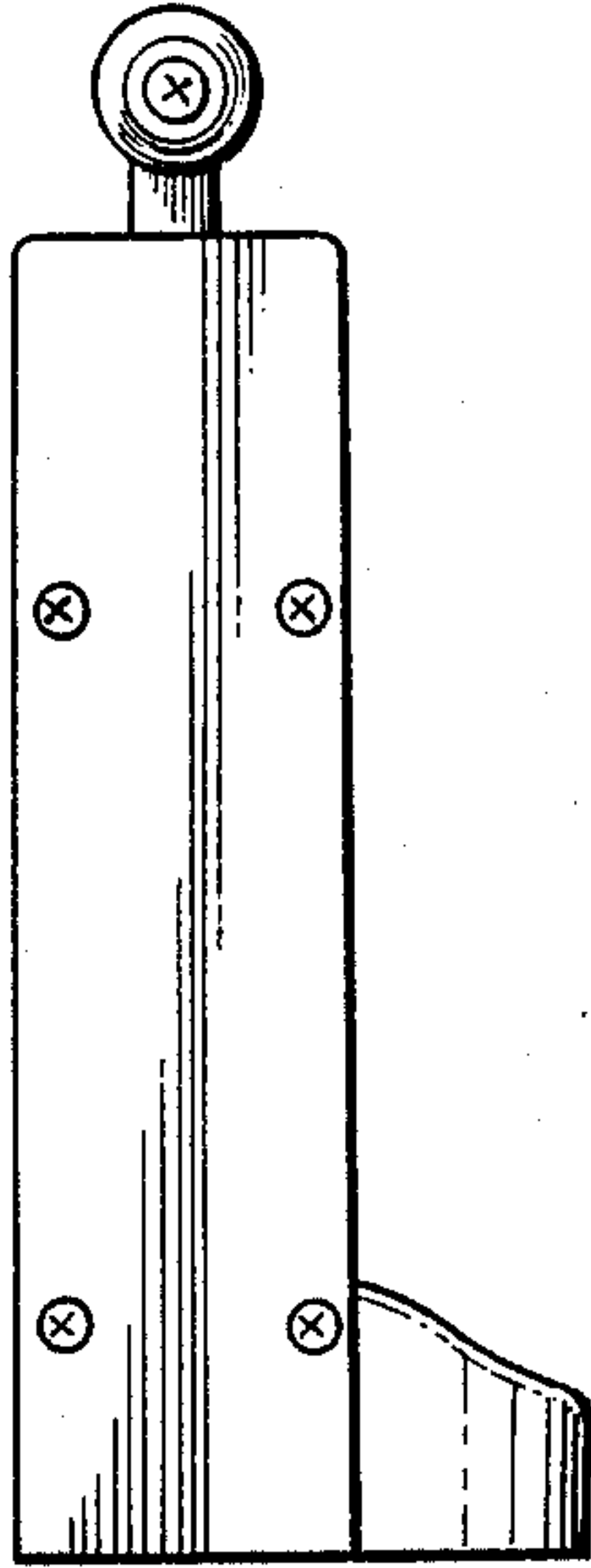


Fig-5

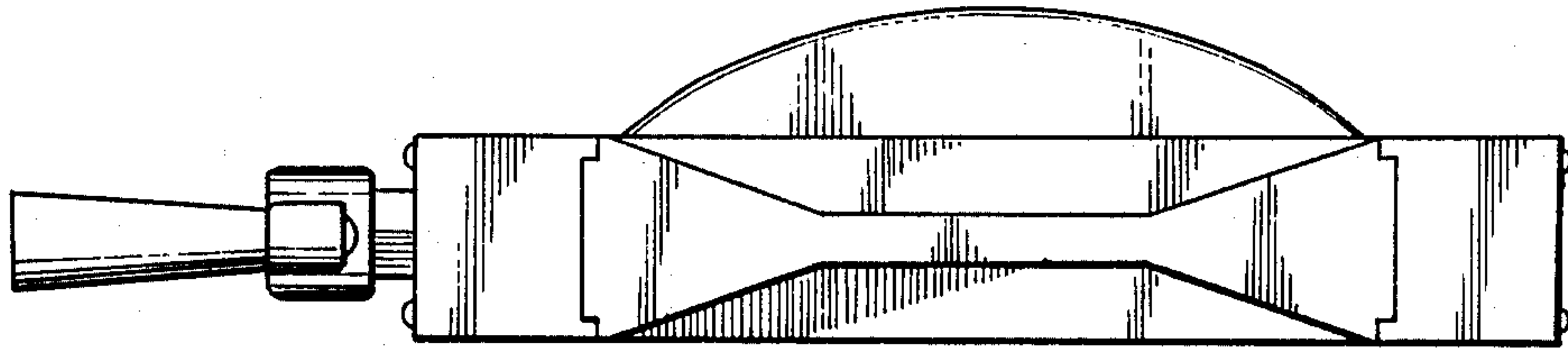


Fig-6

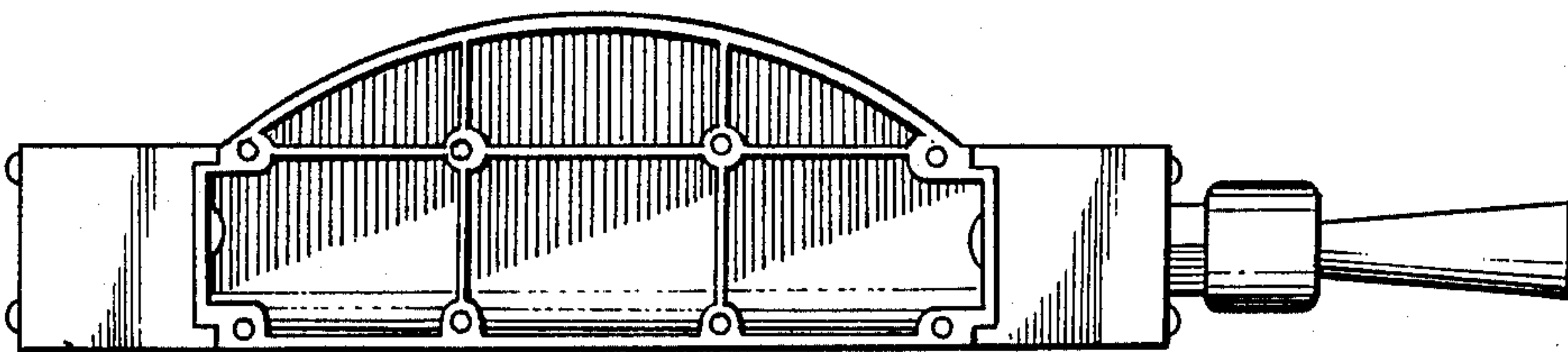


Fig-7