

United States Patent [19]

Dallaire et al.

[11] Patent Number: **Des. 301,068**

[45] Date of Patent: **** May 9, 1989**

[54] **WINDOW FRAME EXTRUSION**

[75] Inventors: **Raymond Dallaire; Dominique Dallaire**, both of St. David, Canada

[73] Assignee: **P. H. Tech Inc.**, Levis, Canada

[**] Term: **14 Years**

[21] Appl. No.: **27,695**

[22] Filed: **Mar. 18, 1987**

[30] **Foreign Application Priority Data**

Sep. 18, 1986 [GB] United Kingdom Des. 1,036,792

[52] U.S. Cl. **D25/124**

[58] Field of Search D25/52, 119-125; 49/413, 419, 501, 504, DIG. 2

[56] **References Cited**

U.S. PATENT DOCUMENTS

D. 245,707 9/1977 Dallaire D25/124

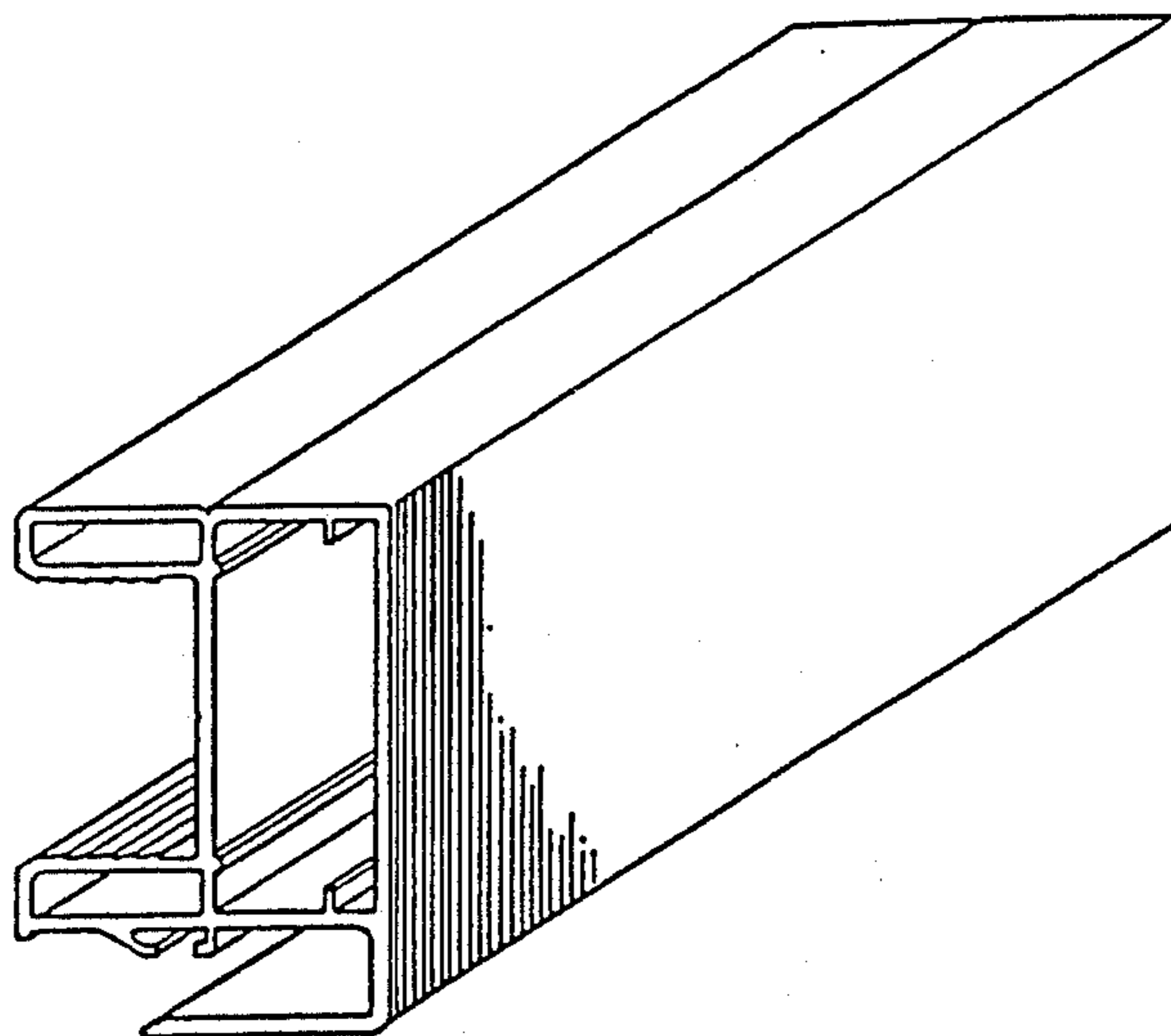
Primary Examiner—A. Hugo Word
Attorney, Agent, or Firm—Perry Carvellas

[57] **CLAIM**

The ornamental design for a window frame extrusion, as shown and described.

DESCRIPTION

FIG. 1 is a perspective view of a window frame extrusion showing our new design; and, FIG. 2 is a perspective view thereof showing one end and other side.



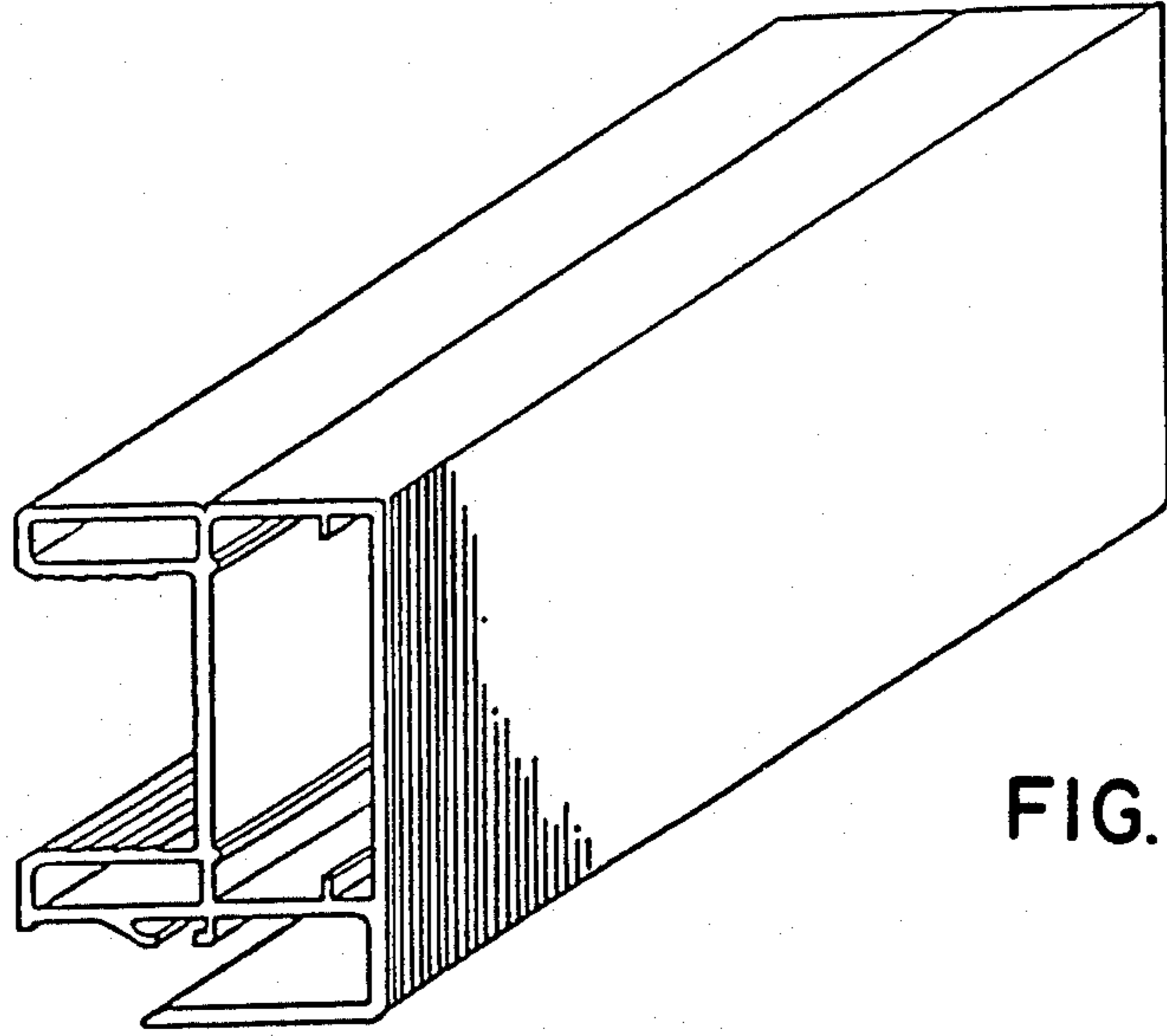


FIG. 1

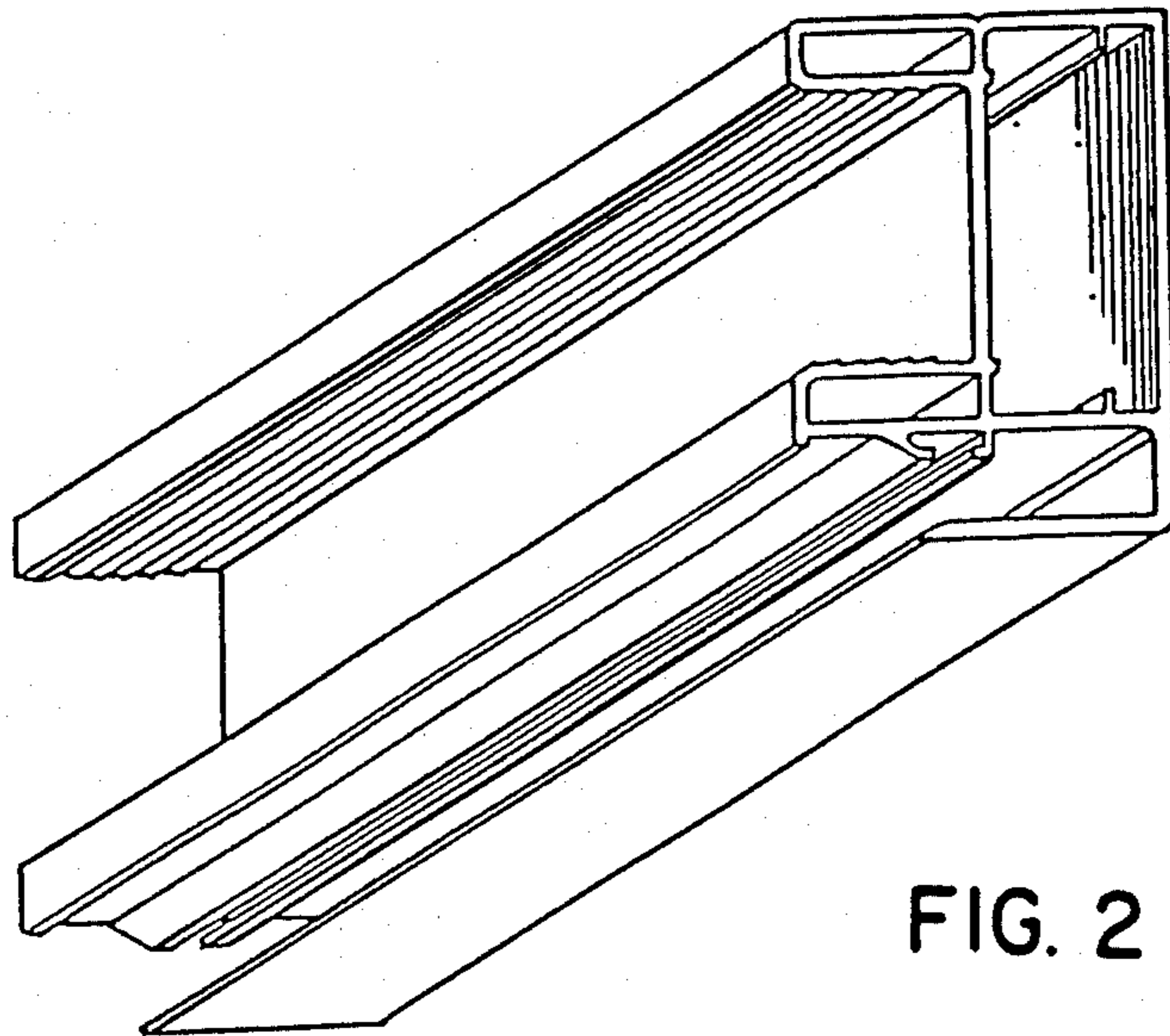


FIG. 2