

# United States Patent [19]

Dallaire et al.

[11] Patent Number: **Des. 301,065**

[45] Date of Patent: **\*\* May 9, 1989**

[54] **WINDOW FRAME EXTRUSION**

[75] Inventors: **Raymond Dallaire; Dominique Dallaire**, both of St. David, Canada

[73] Assignee: **P. H. Tech Inc.**, Levis, Canada

[\*\*] Term: **14 Years**

[21] Appl. No.: **45,271**

[22] Filed: **Mar. 18, 1987**

[30] **Foreign Application Priority Data**

Sep. 18, 1986 [GB] United Kingdom ..... Des. 1,036,794

[52] U.S. Cl. .... **D25/122**

[58] Field of Search ..... D25/52, 119-125;  
49/413, 419, 501, 504, DIG. 2

[56] **References Cited**

**U.S. PATENT DOCUMENTS**

D. 263,754 4/1982 Dallaire ..... D25/122

*Primary Examiner*—A. Hugo Word

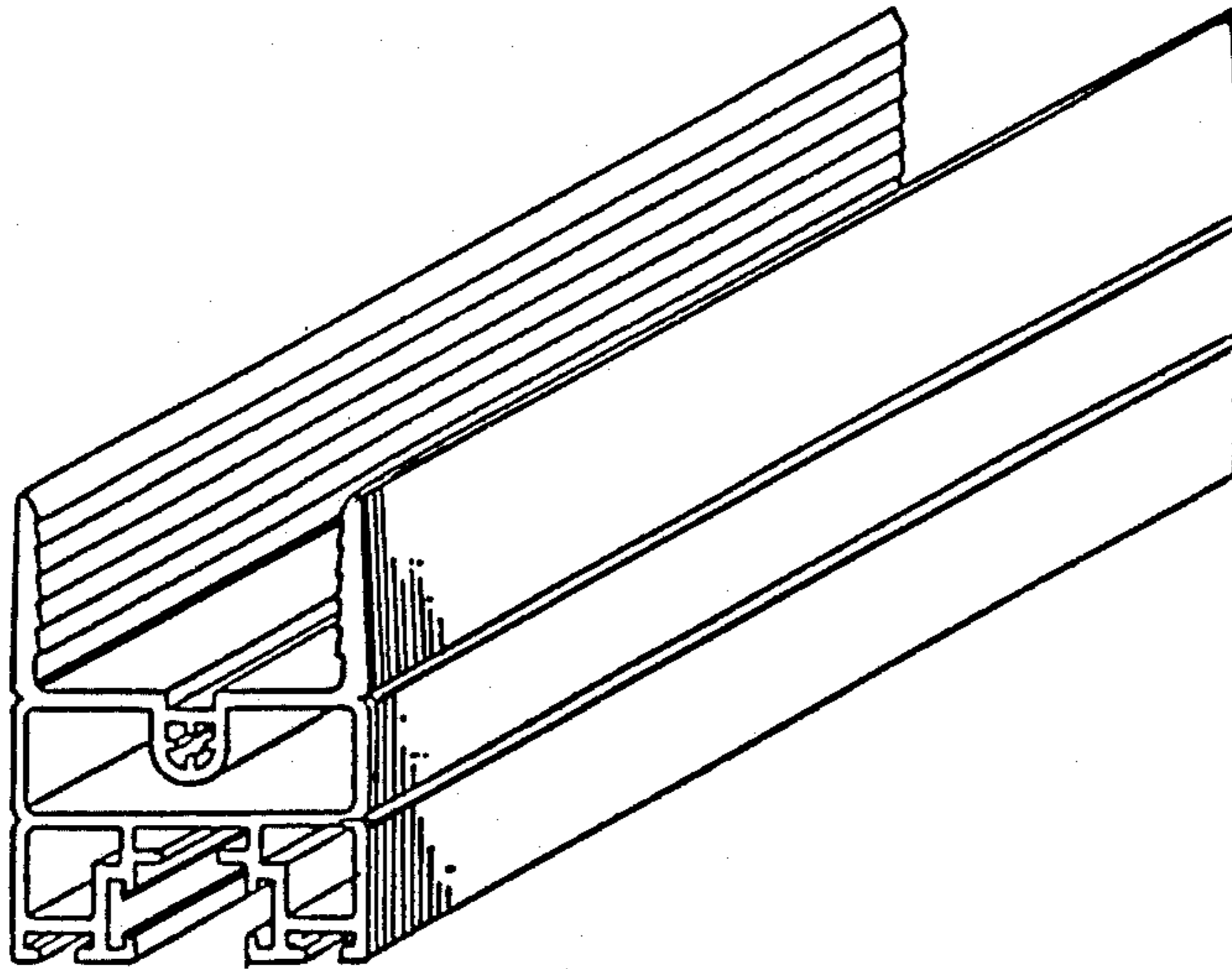
*Attorney, Agent, or Firm*—Perry Carvellas

[57] **CLAIM**

The ornamental design for a window frame extrusion, as shown and described.

**DESCRIPTION**

FIG. 1 is a perspective view of a window frame extrusion showing our new design; and FIG. 2 is a perspective view thereof showing one end and other side.



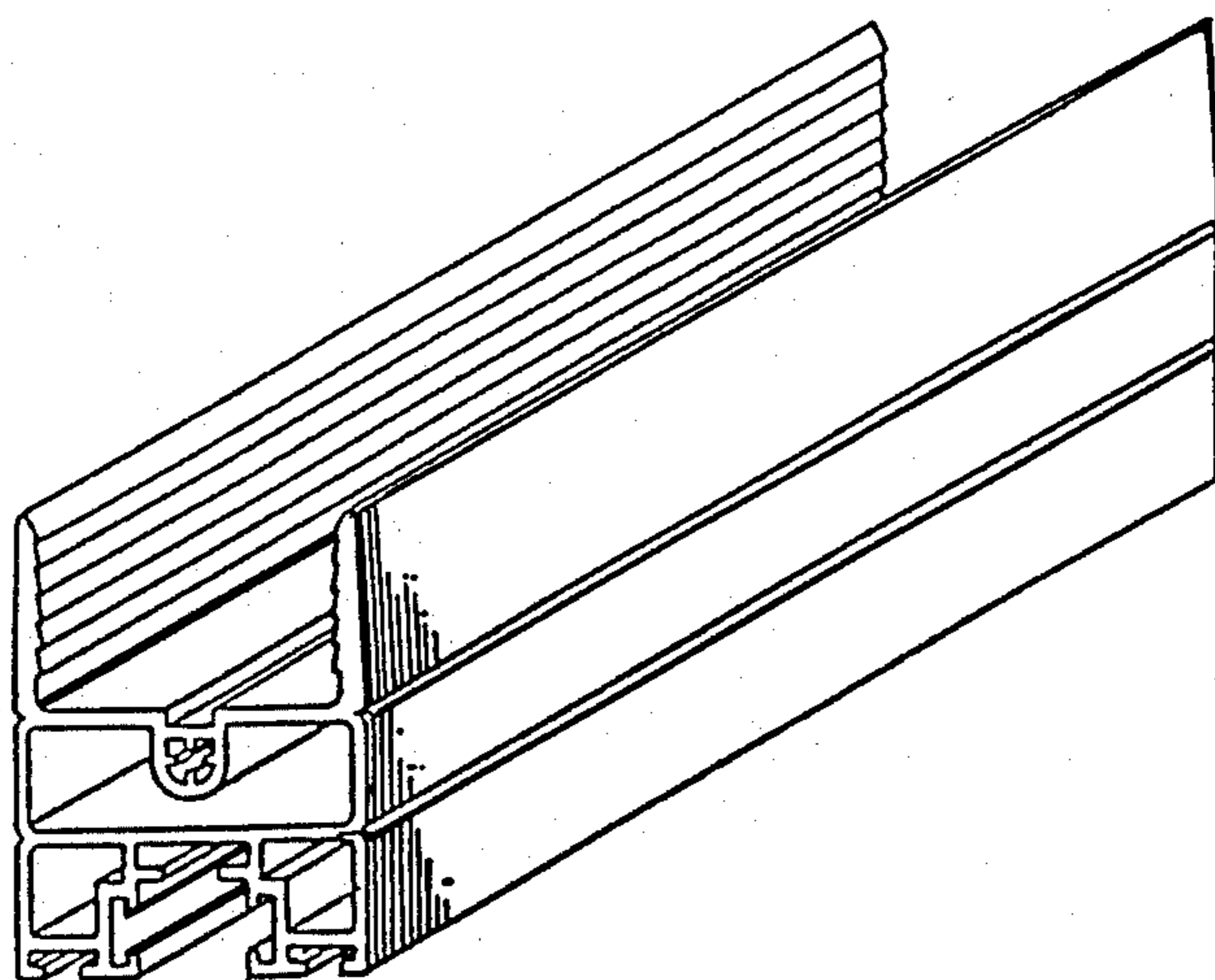


FIG. 1

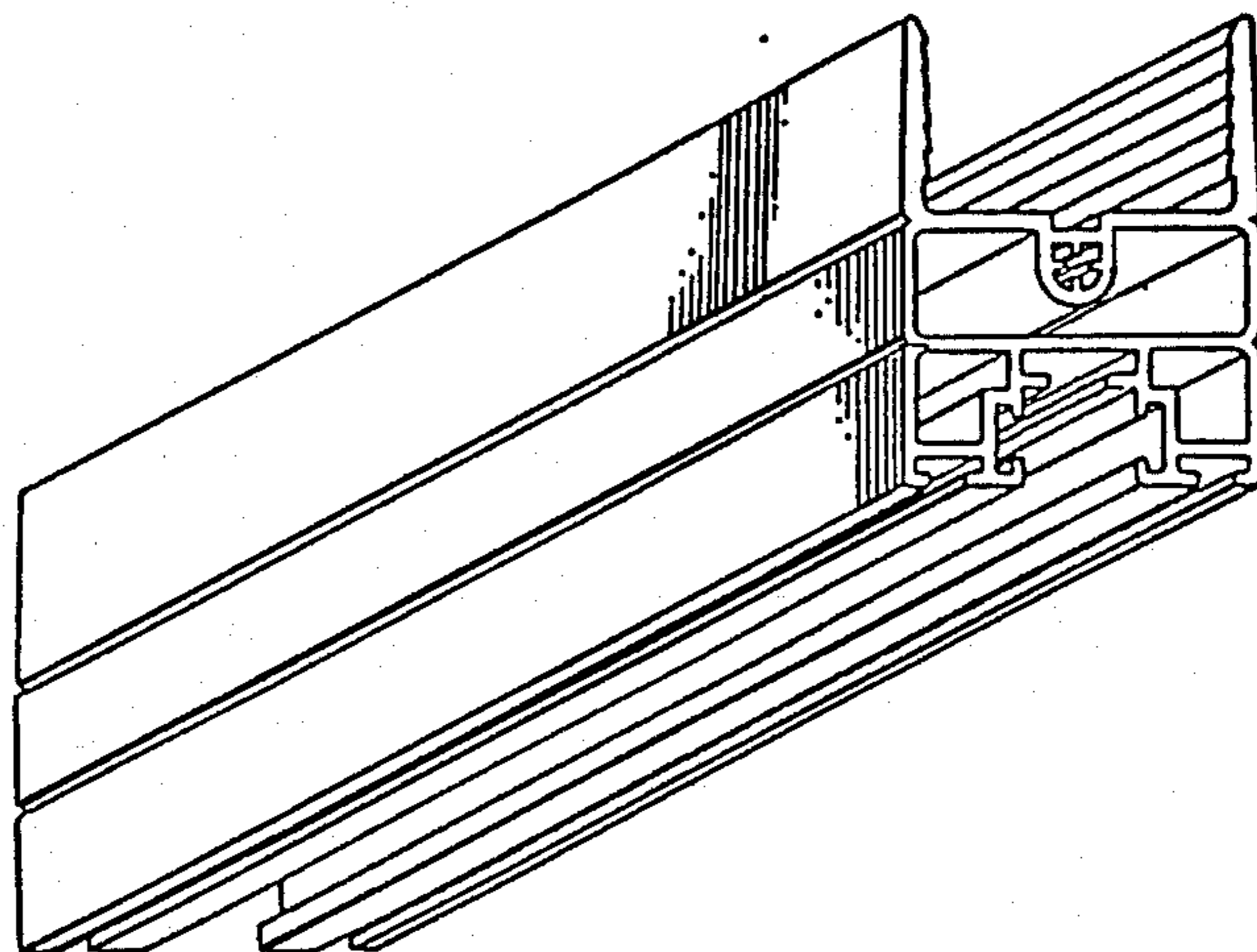


FIG. 2