

[54] **FISHING ROD HANDLE**

[75] **Inventor: Karl-Gunnar Lassi, Karlshamn, Sweden**

[73] **Assignee: Abu AB, Karlshamn, Sweden**

[**] **Term: 14 Years**

[21] **Appl. No.: 178,780**

[22] **Filed: Apr. 4, 1988**

Related U.S. Application Data

[63] **Continuation of Ser. No. 804,878, Dec. 5, 1985, abandoned.**

[52] **U.S. Cl. D22/142**

[58] **Field of Search 43/20, 22, 23; D22/142**

[56] **References Cited**

U.S. PATENT DOCUMENTS

4,494,333 1/1985 Jacobson 43/22
4,578,890 4/1986 Childre 43/22 X

Primary Examiner—A. Hugo Word
Attorney, Agent, or Firm—Shapiro and Shapiro

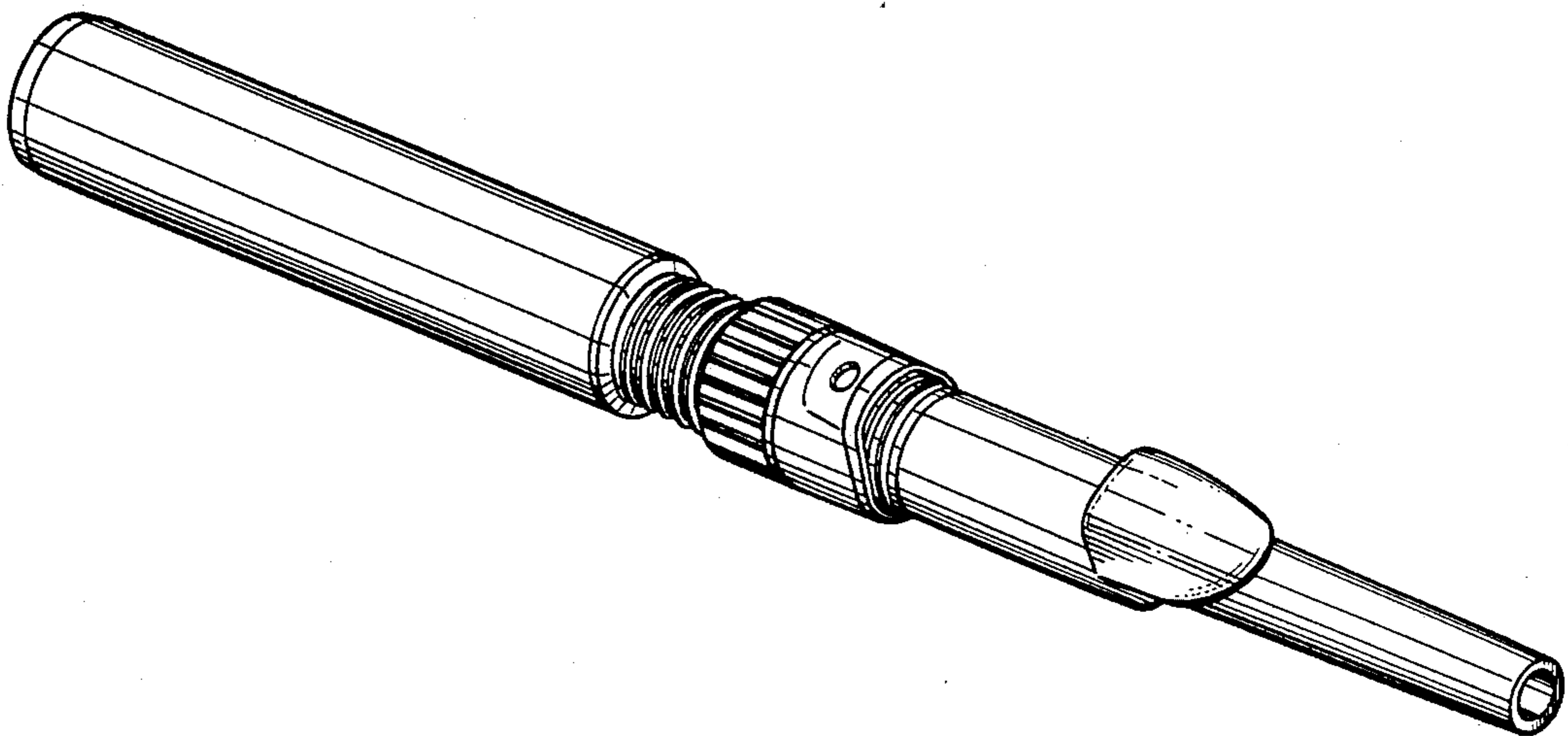
[57] **CLAIM**

The ornamental design for a fishing rod handle, as shown.

DESCRIPTION

FIG. 1 is a perspective view of the fishing rod handle according to the new design as seen obliquely from above and obliquely from the front of the handle portion;

FIG. 2 is a perspective view of the fishing rod handle according to FIG. 1 as seen obliquely from underneath and obliquely from the front of the handle portion.



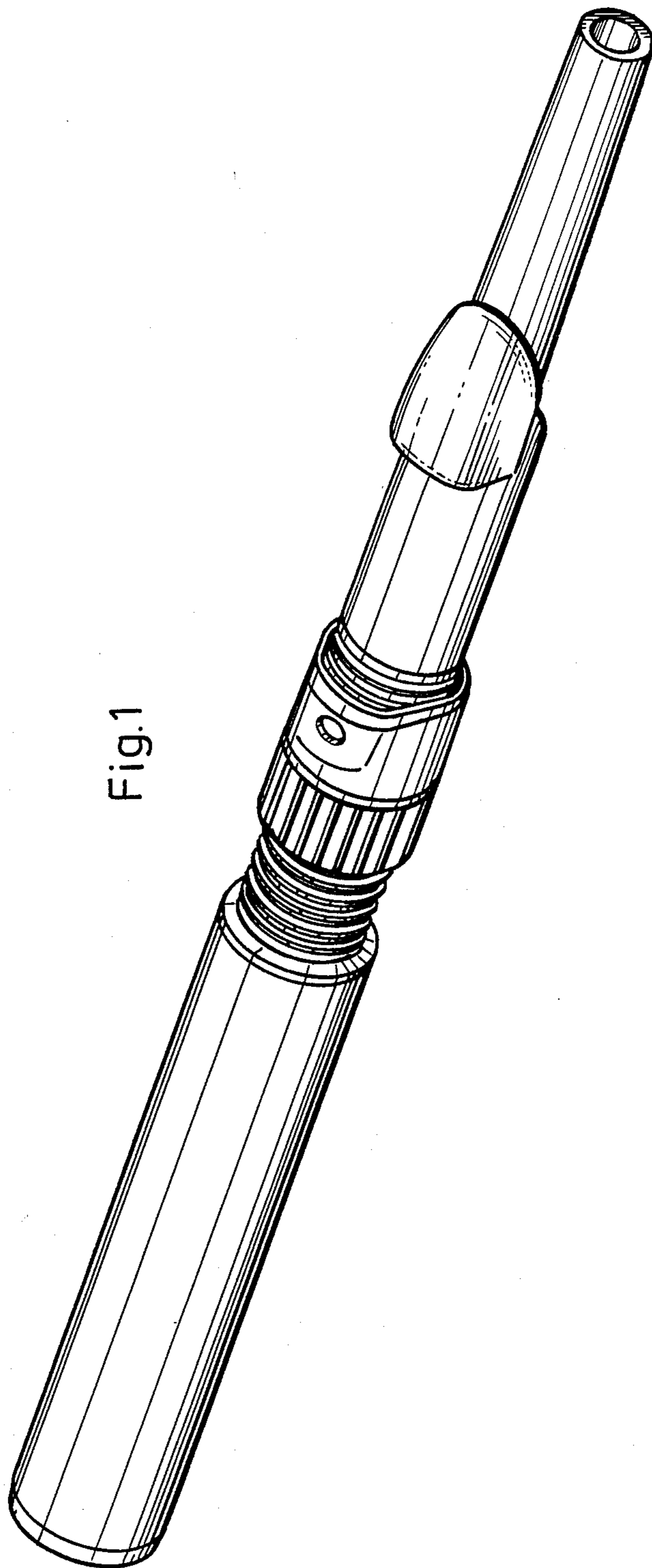


Fig. 1

Fig. 2

