

# United States Patent [19]

Lassi

[11] Patent Number: Des. 301,049

[45] Date of Patent: \*\* May 9, 1989

[54] FISHING ROD HANDLE

[75] Inventor: Karl-Gunnar Lassi, Karlshamn, Sweden

[73] Assignee: Abu AB, Karlshamn, Sweden

[\*\*] Term: 14 Years

[21] Appl. No.: 178,751

[22] Filed: Apr. 4, 1988

### Related U.S. Application Data

[63] Continuation of Ser. No. 804,893, Dec. 5, 1985, abandoned.

[52] U.S. Cl. .... D22/142

[58] Field of Search ..... 43/20, 22, 23; D22/142

[56] References Cited

### U.S. PATENT DOCUMENTS

4,494,333 1/1985 Jacobson ..... 43/22  
4,578,890 4/1986 Childre ..... 43/22 X

*Primary Examiner*—A. Hugo Word  
*Attorney, Agent, or Firm*—Shapiro and Shapiro

[57] CLAIM

The ornamental design for a fishing rod handle, as shown.

### DESCRIPTION

FIG. 1 is a perspective view of the fishing rod handle according to the new design as seen obliquely from above and obliquely from the front of the handle portion;

FIG. 2 is a perspective view of the fishing rod handle according to FIG. 1 as seen obliquely from the side and obliquely from the back of the handle portion;

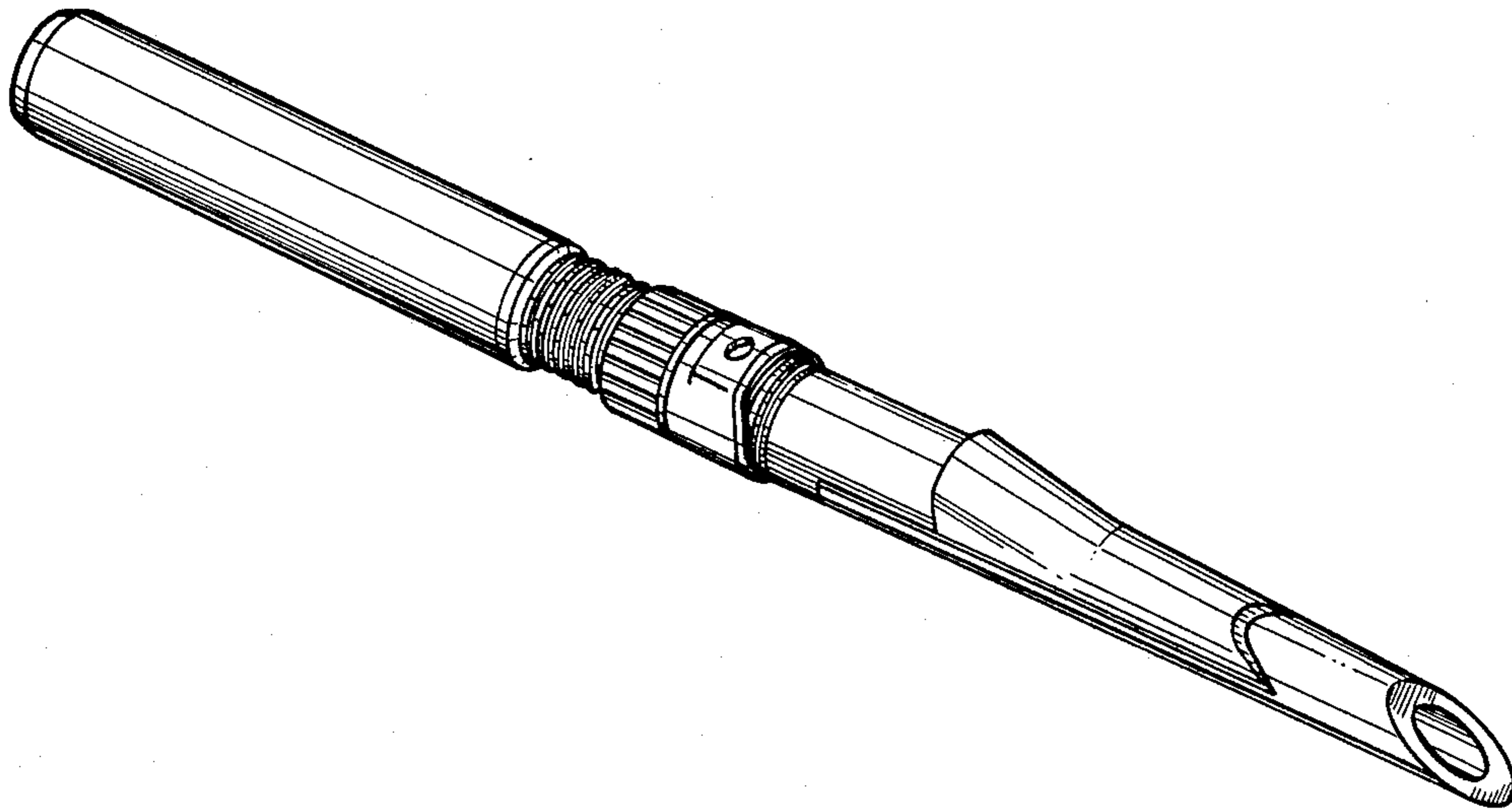
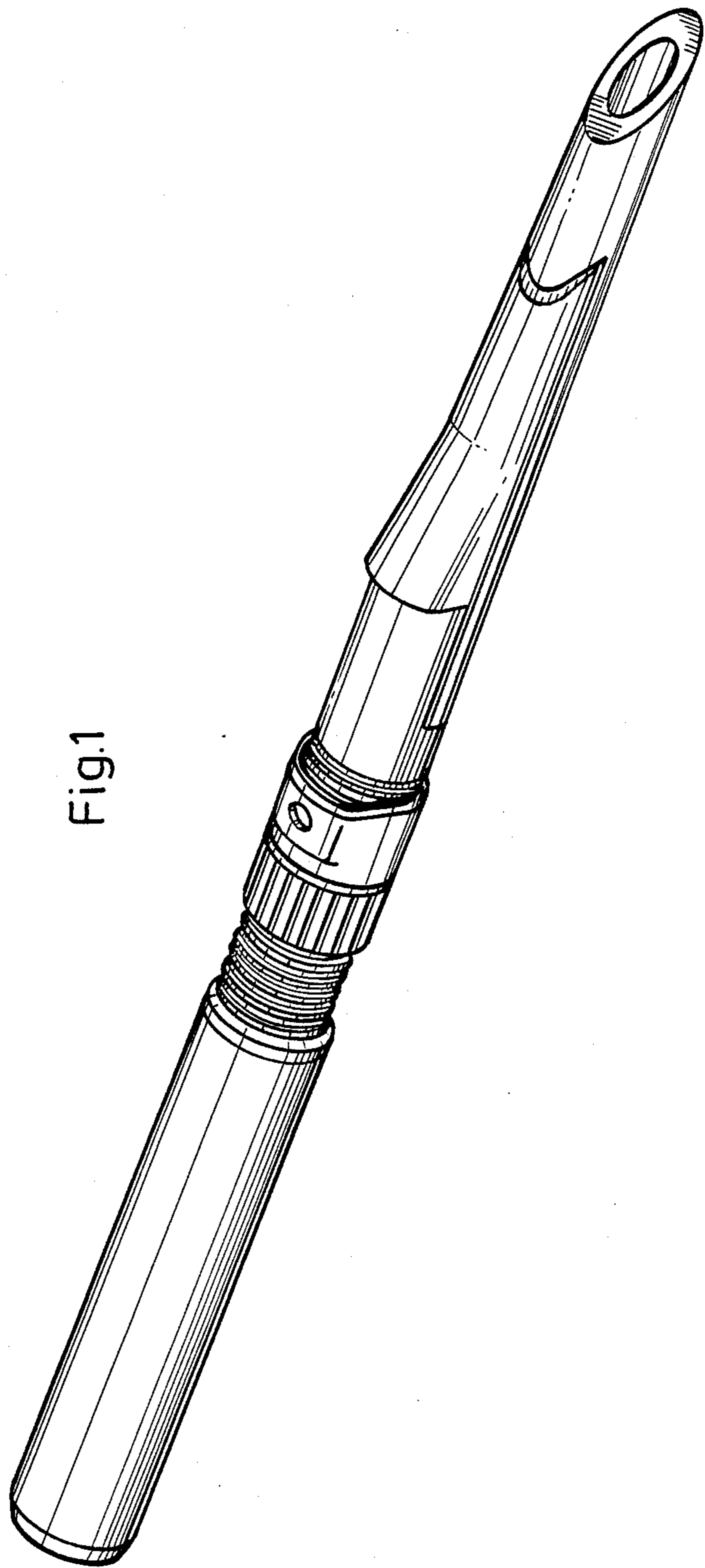


Fig.1



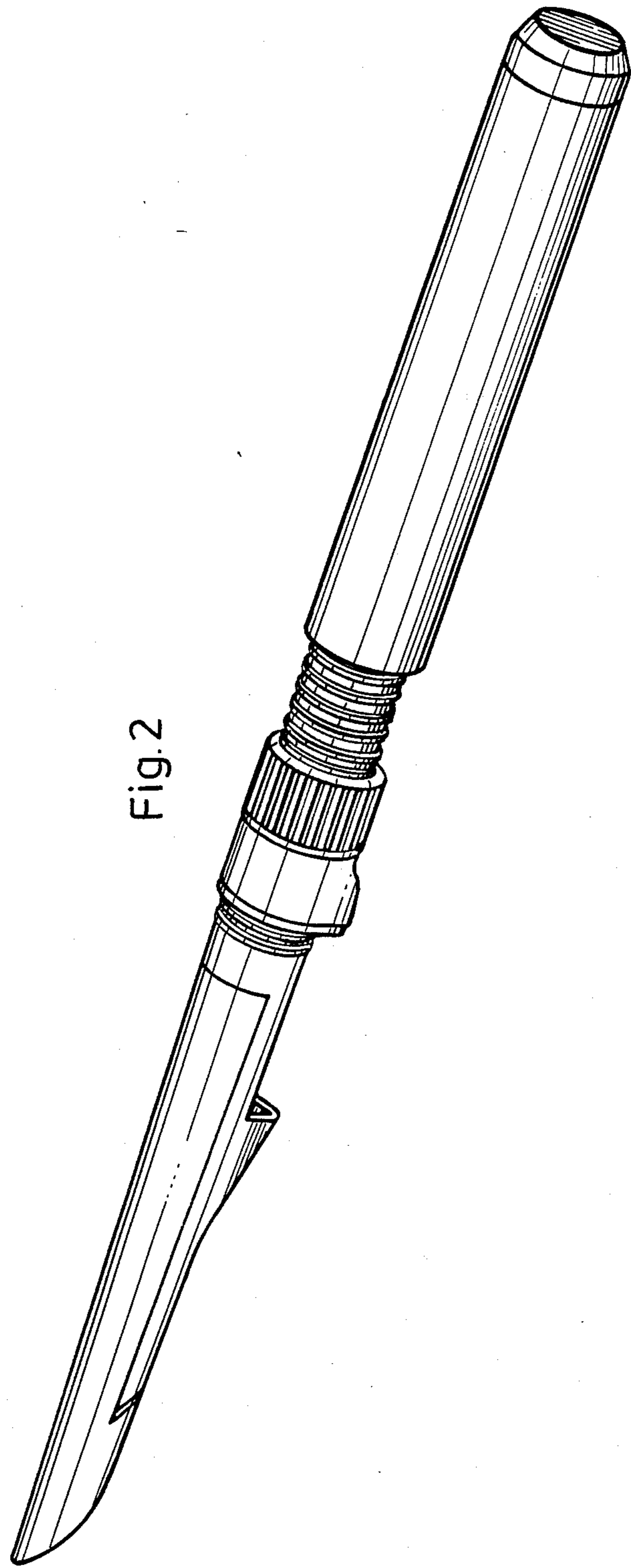


Fig. 2