

[54] COMBINED MILLING MACHINE SUPPORT AND CONTROLLER

[75] Inventor: Giuseppe Gemmani, Rimini, Italy

[73] Assignee: SCM S.p.A., Italy

[**] Term: 14 Years

[21] Appl. No.: 942,592

[22] Filed: Dec. 16, 1986

[30] Foreign Application Priority Data

Jul. 4, 1986 [IT] Italy 4923/86[U]

[52] U.S. Cl. D15/131; D15/141

[58] Field of Search D15/131, 127, 141; 409/64, 80, 206, 219, 235

[56] References Cited

U.S. PATENT DOCUMENTS

D. 255,243 6/1980 Roch D15/131

D. 267,720	1/1983	Lawson	D15/127
D. 285,084	8/1986	Aldridge, Jr.	D15/131
D. 286,294	10/1986	Itoh	D15/131
D. 292,589	11/1987	Roch et al.	D15/131
4,621,407	11/1986	Suzuki	409/235

Primary Examiner—B. J. Bullock
Attorney, Agent, or Firm—Darby & Darby

[57] CLAIM

The ornamental design for a combined milling machine support and controller, as shown and described.

DESCRIPTION

FIG. 1 is a front elevational view of the combined milling machine support and controller, embodying my new design.

FIG. 2 is a left side elevational view thereof.

FIG. 3 is a right side elevational view thereof.

FIG. 4 is a rear elevational view thereof.

FIG. 5 is a top plan view thereof.

FIG. 6 is a left front perspective view thereof.

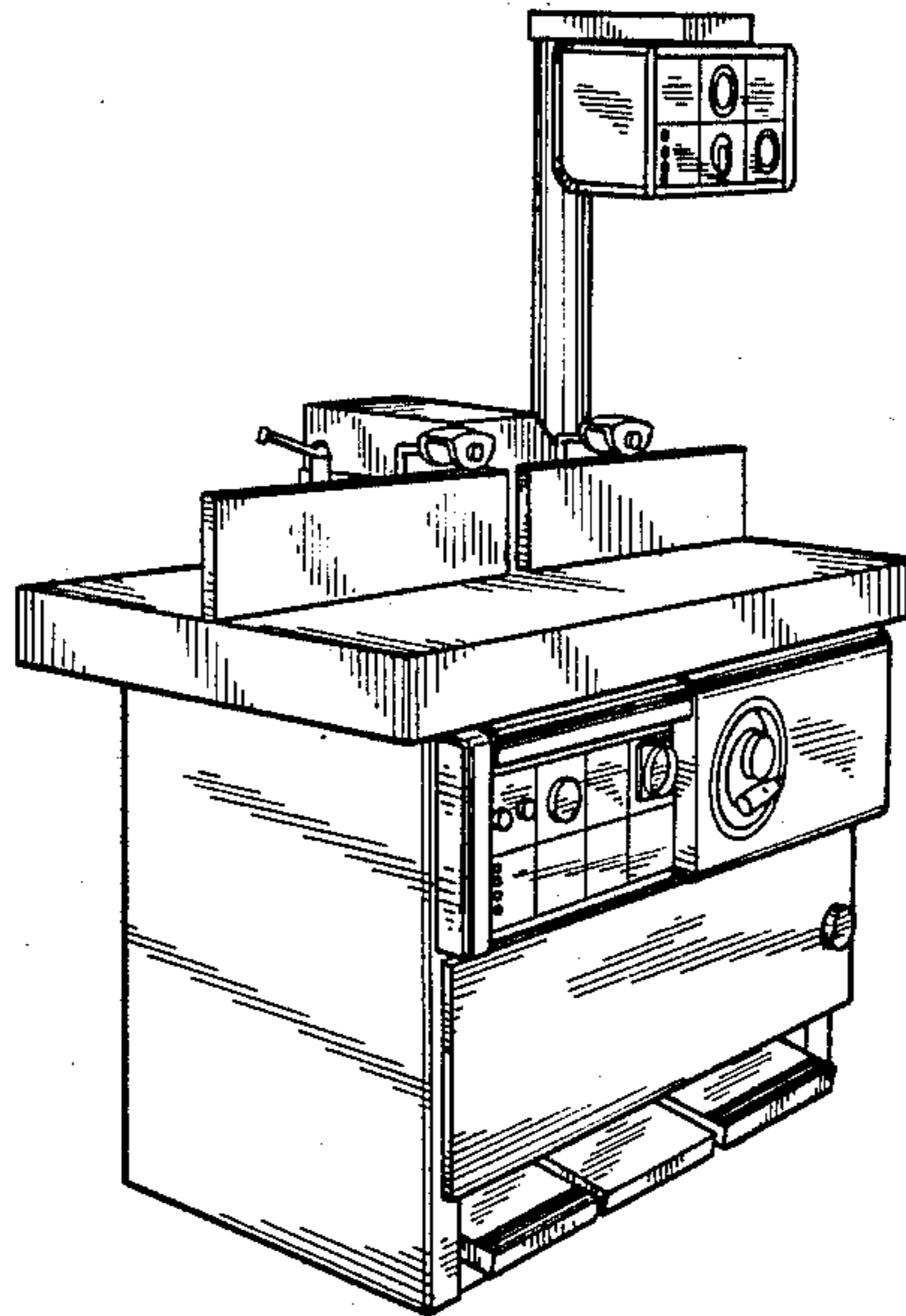


FIG. 1

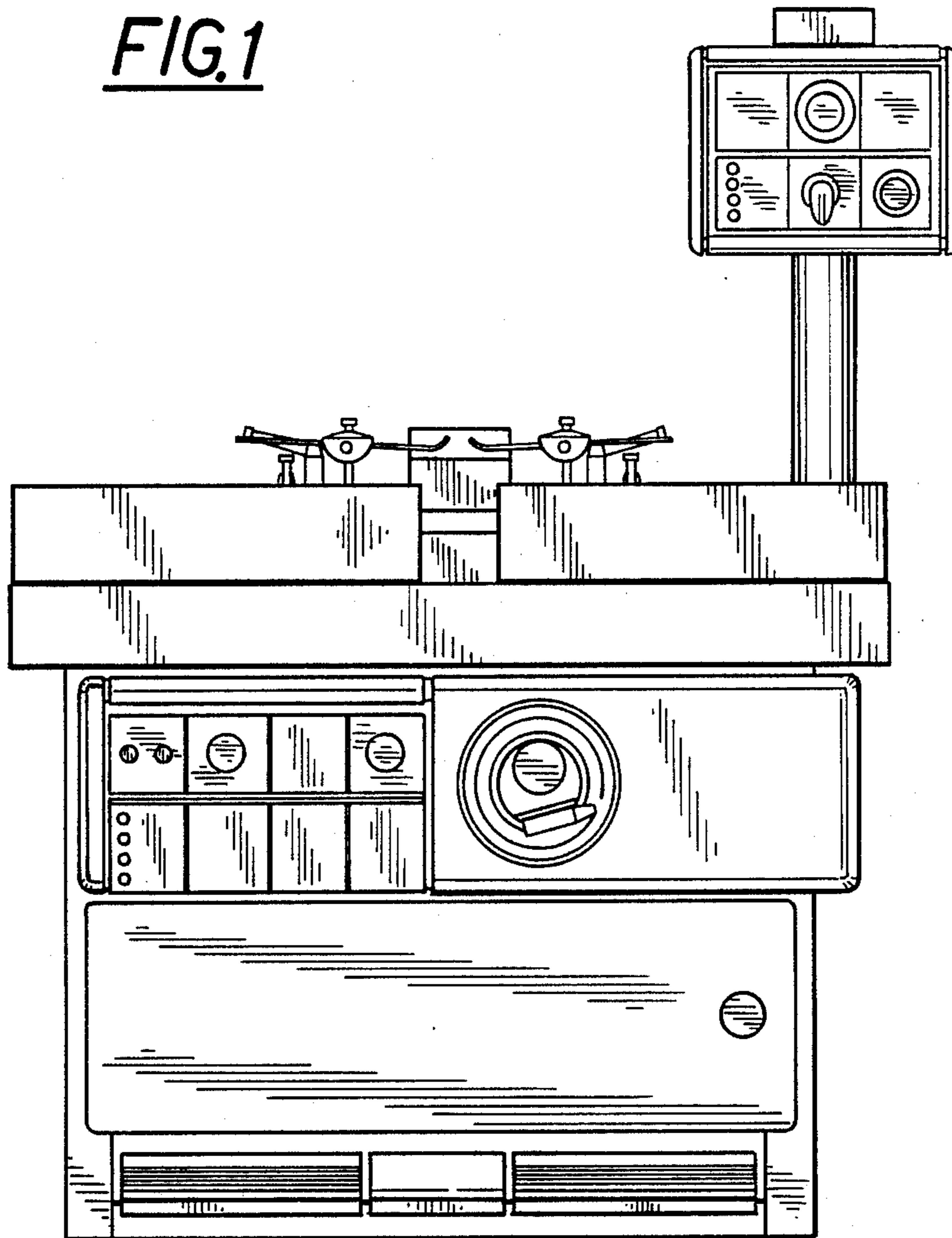


FIG.2

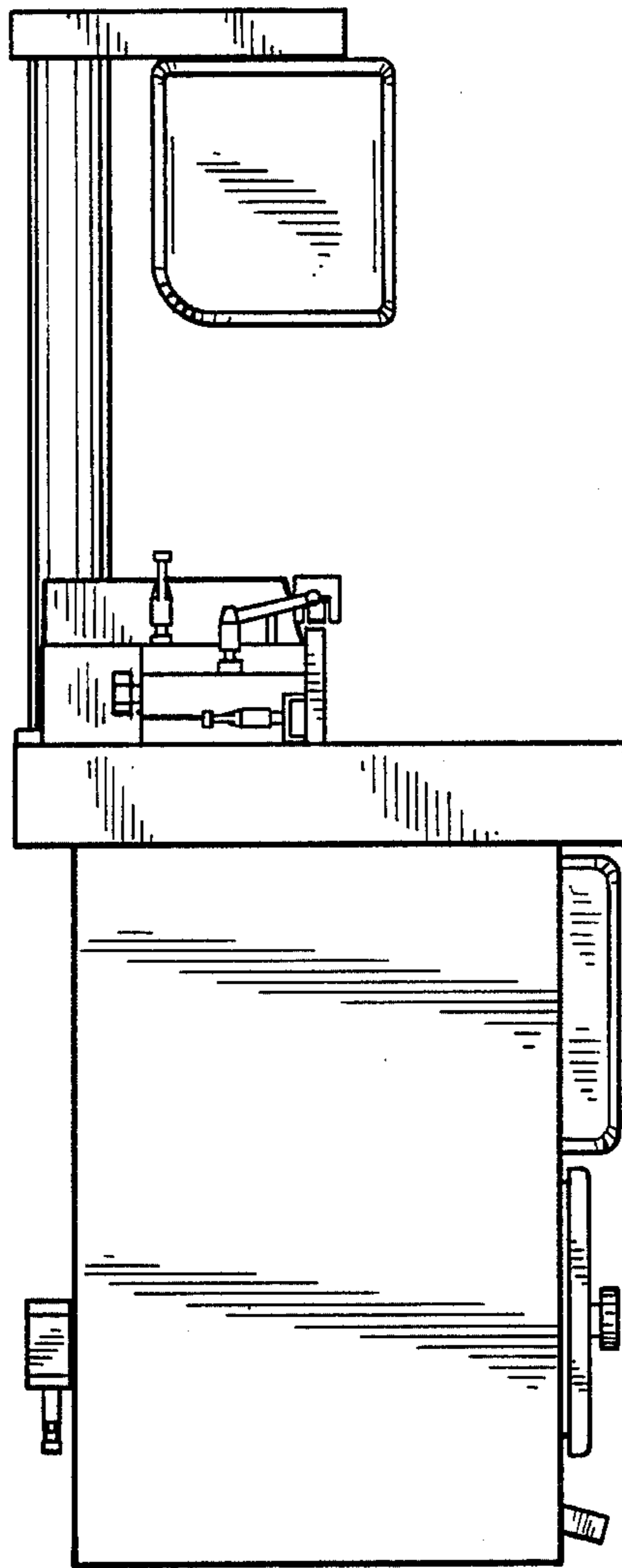


FIG. 3

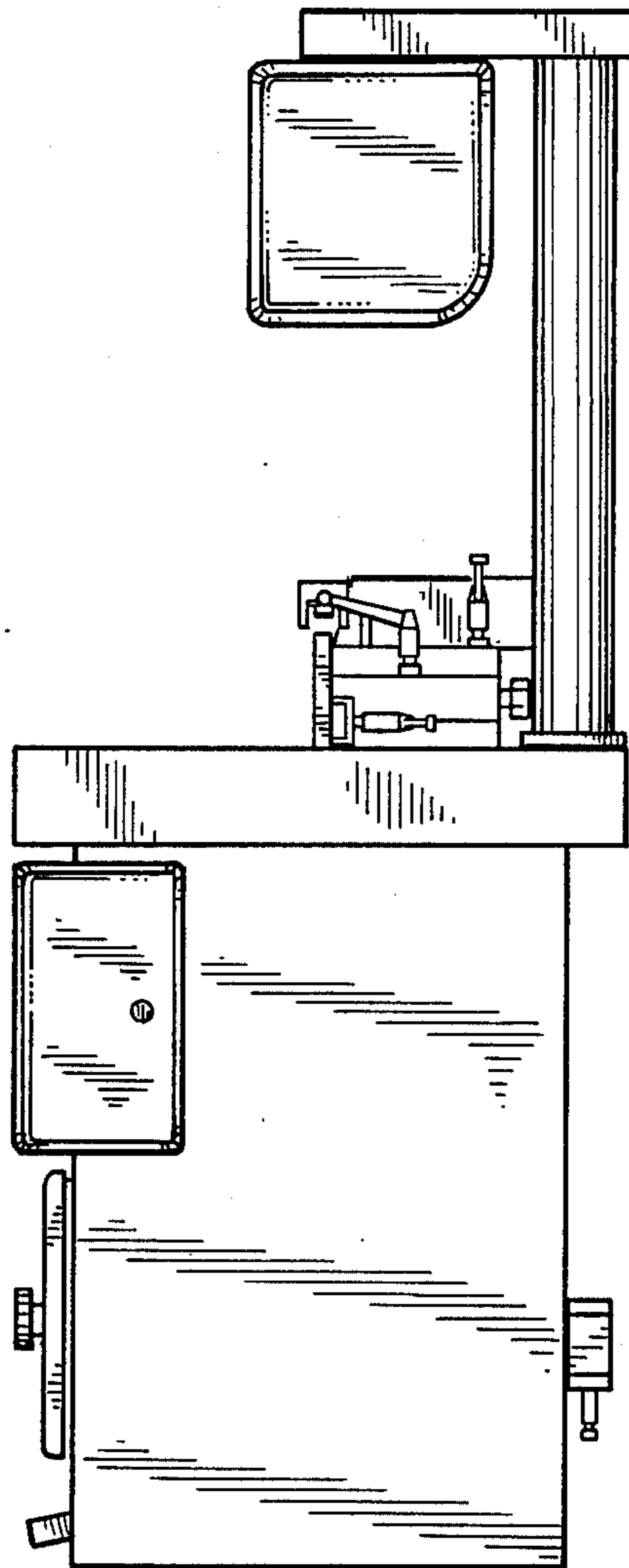
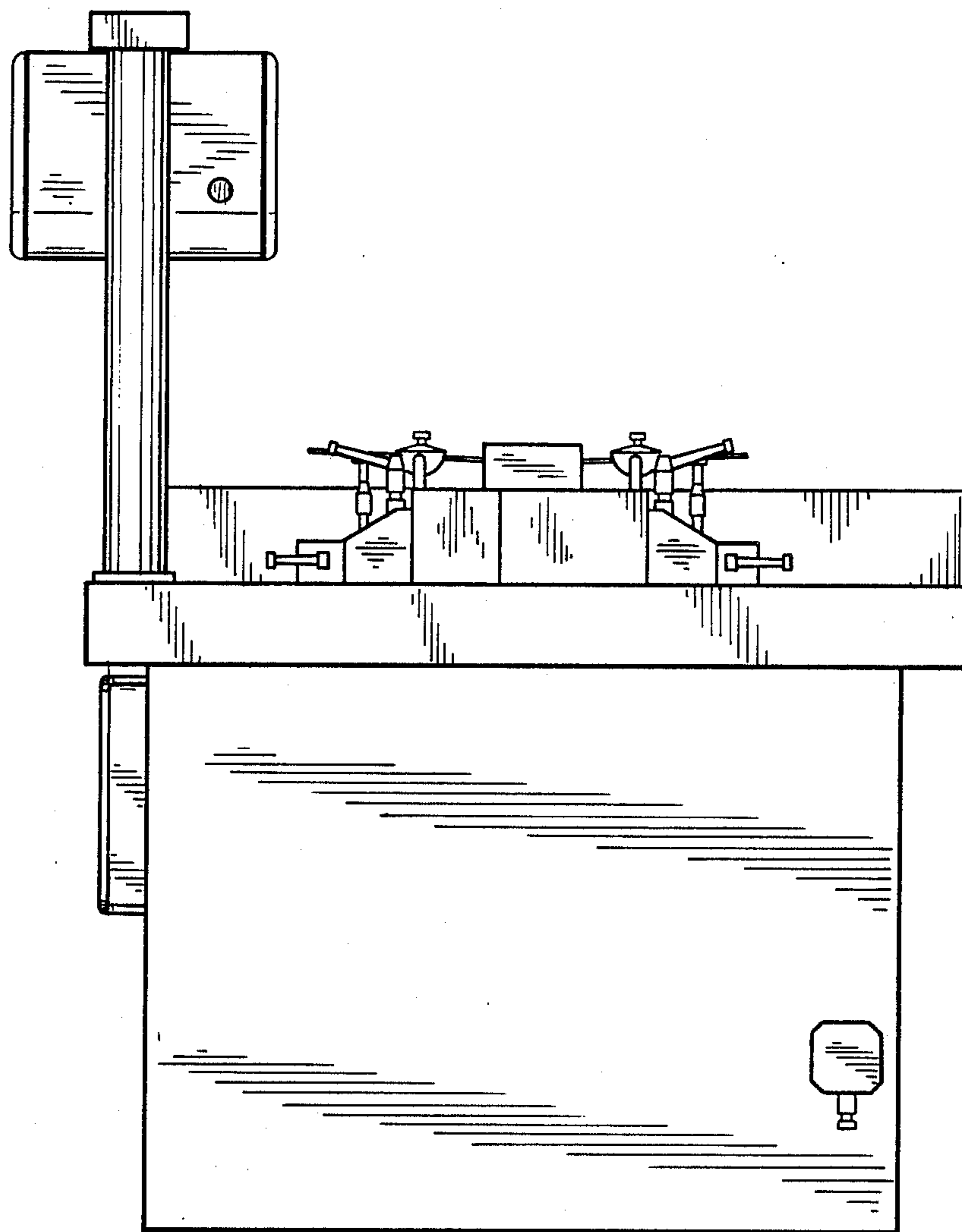


FIG. 4



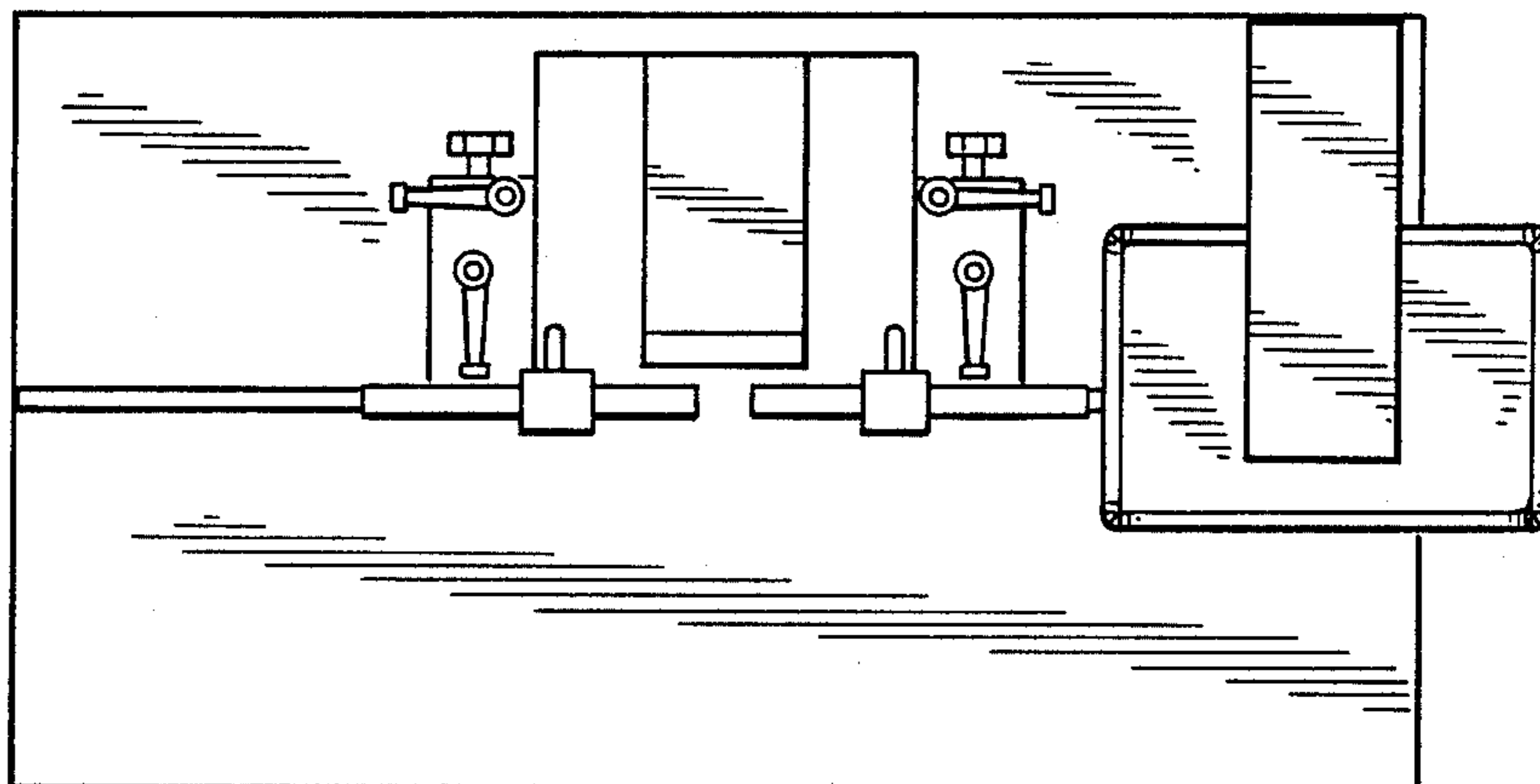


FIG.5

FIG. 6

