

[54] HOUSING FOR AN AGRICULTURAL TRACTOR

[75] Inventors: Genichi Funabashi, Sennan; Seiichi Takahashi, Sakai, both of Japan

[73] Assignee: Kubota, Ltd., Osaka, Japan

[\*\*] Term: 14 Years

[21] Appl. No.: 774,615

[22] Filed: Sep. 10, 1985

[30] Foreign Application Priority Data

Mar. 13, 1985 [JP] Japan ..... 60-10163

[52] U.S. Cl. .... D15/23

[58] Field of Search ..... D15/10-12, D15/15, 22-23, 25-26, 28, 30-33; 180/89.12, 89.1, 89.19; 56/320.1, 320.2, DIG. 22, 13.4

[56] References Cited

U.S. PATENT DOCUMENTS

D. 245,604 8/1977 Cognata et al. .... D15/15

3,187,821 6/1965 Kamlukin ..... 56/DIG. 22  
3,461,654 8/1969 Plamper ..... 56/DIG. 22  
3,826,530 7/1974 Hoffmeyer et al. .... 180/89.1  
4,437,529 3/1984 Fralish ..... 180/69.2

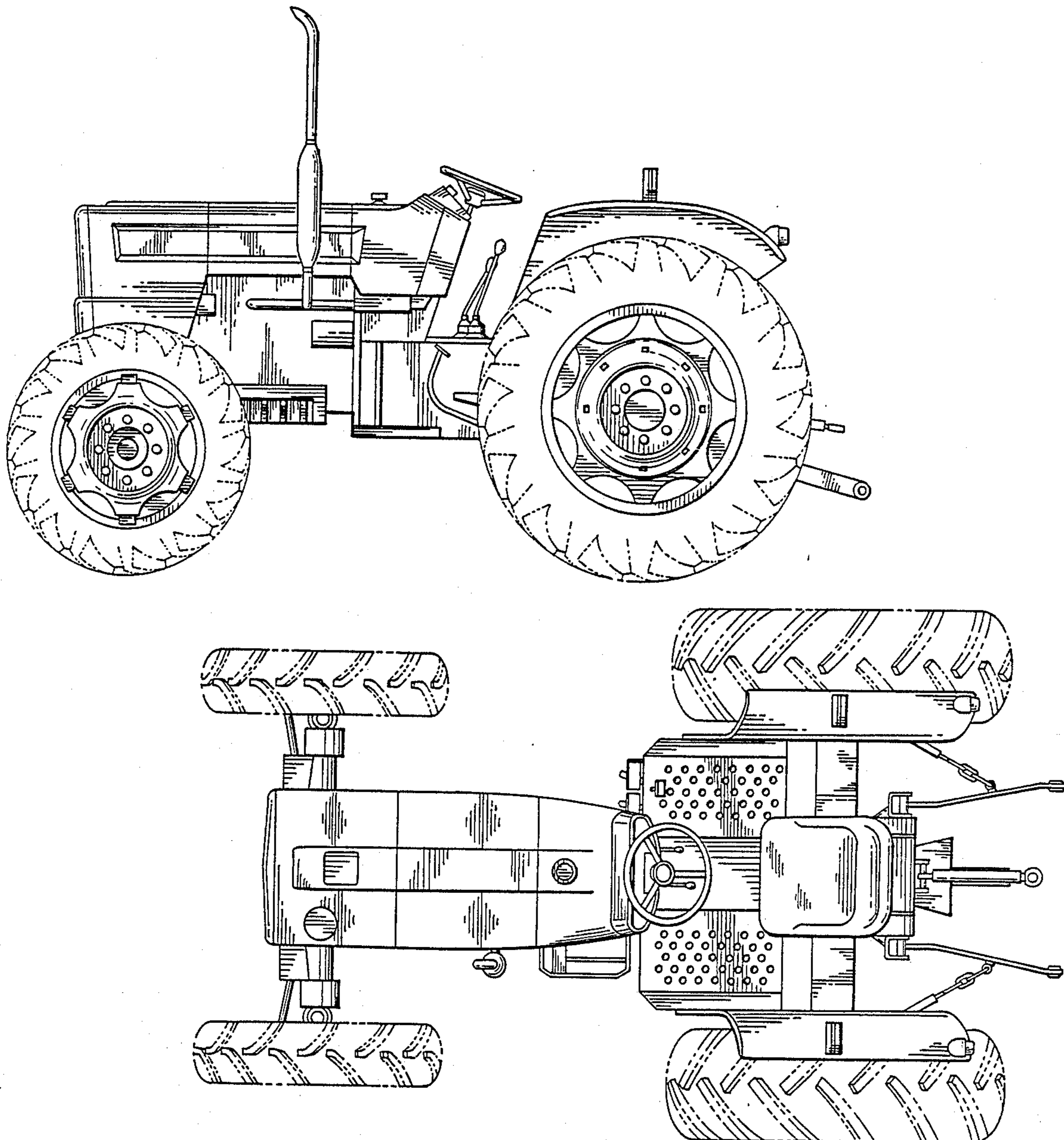
Primary Examiner—Wallace R. Burke  
Assistant Examiner—Ruth Takemoto  
Attorney, Agent, or Firm—Edwin E. Greigg

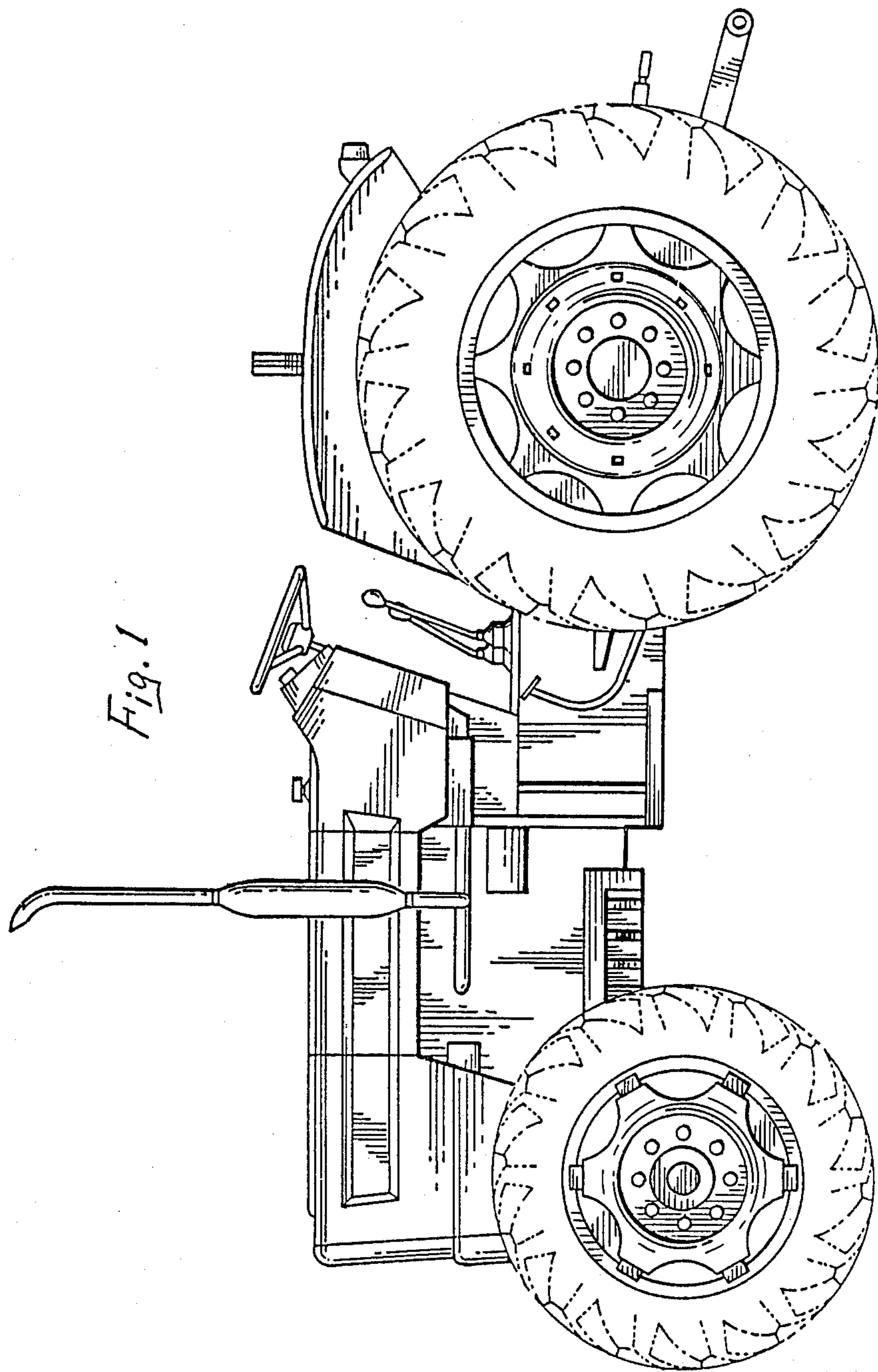
[57] CLAIM

The ornamental design of housing for an agricultural tractor, as shown and described.

DESCRIPTION

FIG. 1 is a right side elevational view of housing for an agricultural tractor showing our new design; FIG. 2 is a left side elevational view thereof; FIG. 3 is a top plan view thereof; FIG. 4 is a front elevational view thereof; and FIG. 5 is a rear elevational view thereof. The tires shown in broken lines in FIGS. 1-5 are shown for illustrative purposes only and form no part of the claimed design.





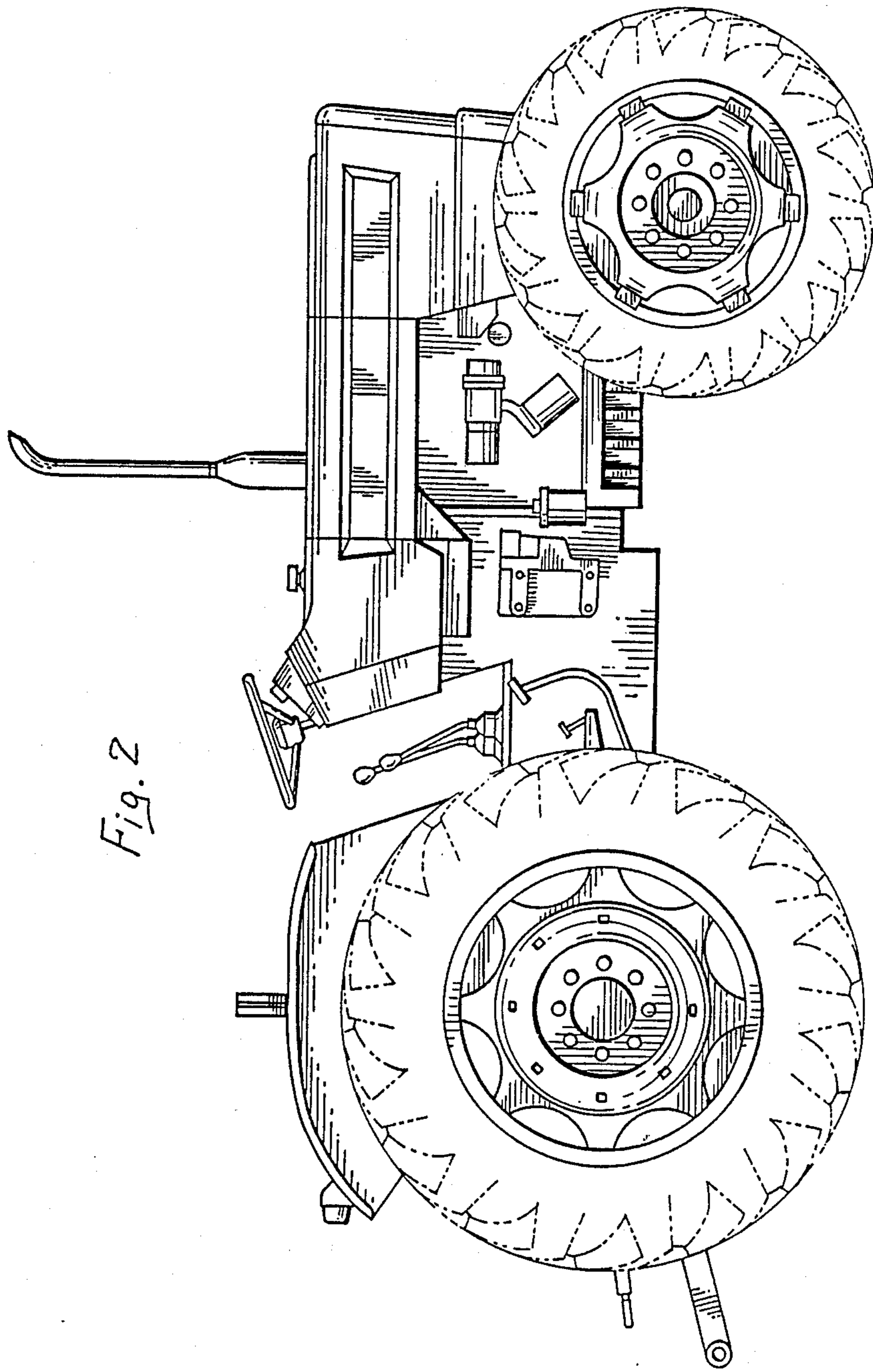


Fig. 2

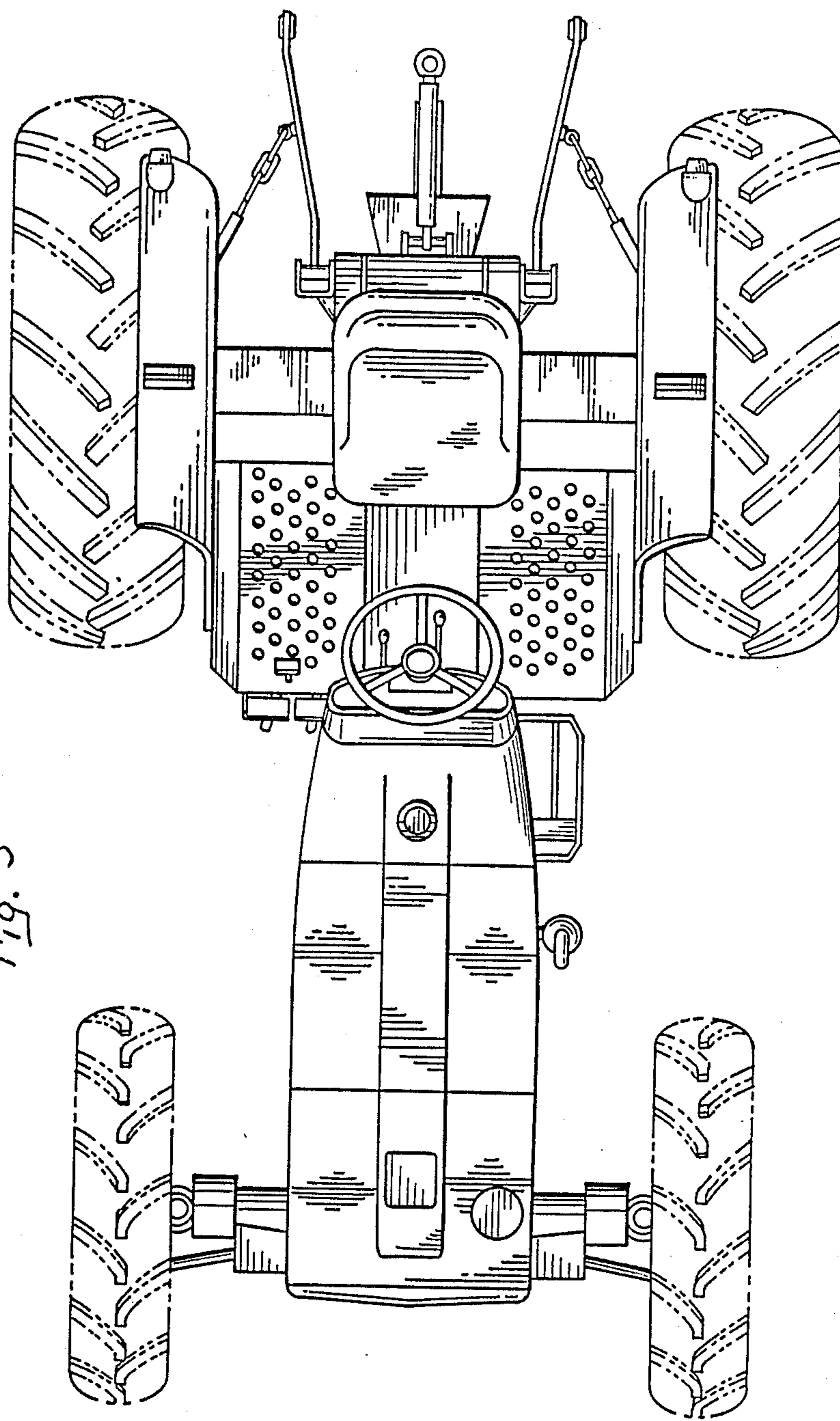


Fig. 3

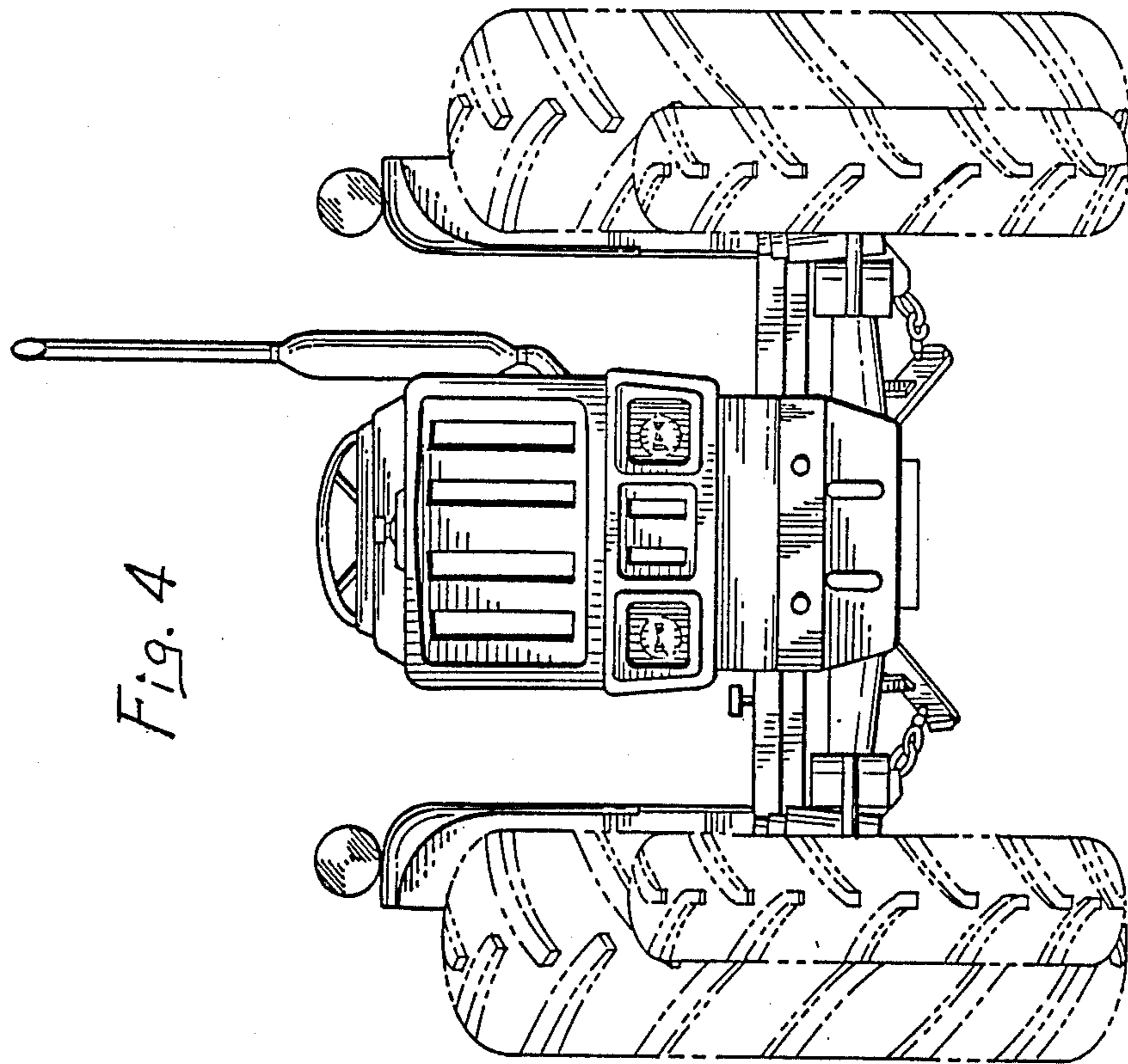


Fig. 4

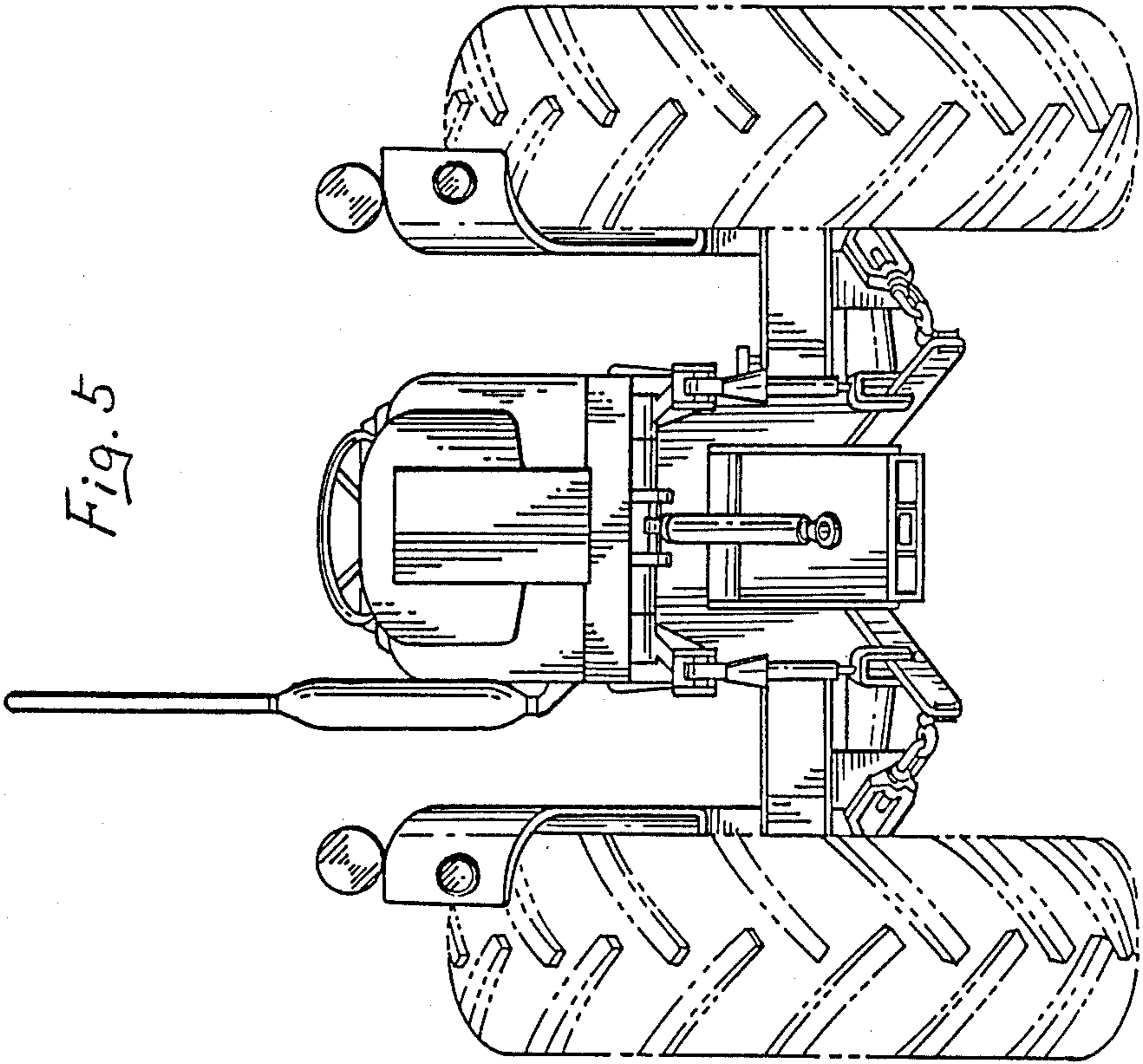


Fig. 5