

[54] **WATER HEATING AND PUMPING UNIT**

[75] **Inventor: James E. Kingston, Arlington, Wash.**

[73] **Assignee: Hollibaugh Manufacturing Co., Inc.,  
Marysville, Wash.**

[\*\*] **Term: 14 Years**

[21] **Appl. No.: 772,286**

[22] **Filed: Sep. 4, 1985**

[52] **U.S. Cl. .... D15/7; D23/318**

[58] **Field of Search ..... D15/7-9;  
417/410, 424; 219/296, 322, 327, 331; D23/314,  
316, 318-322**

[56] **References Cited**

**U.S. PATENT DOCUMENTS**

- D. 241,172 8/1976 Johnson ..... D15/7  
D. 254,671 4/1980 Johnson ..... D15/7

D. 292,214 10/1987 Kingston ..... D15/7

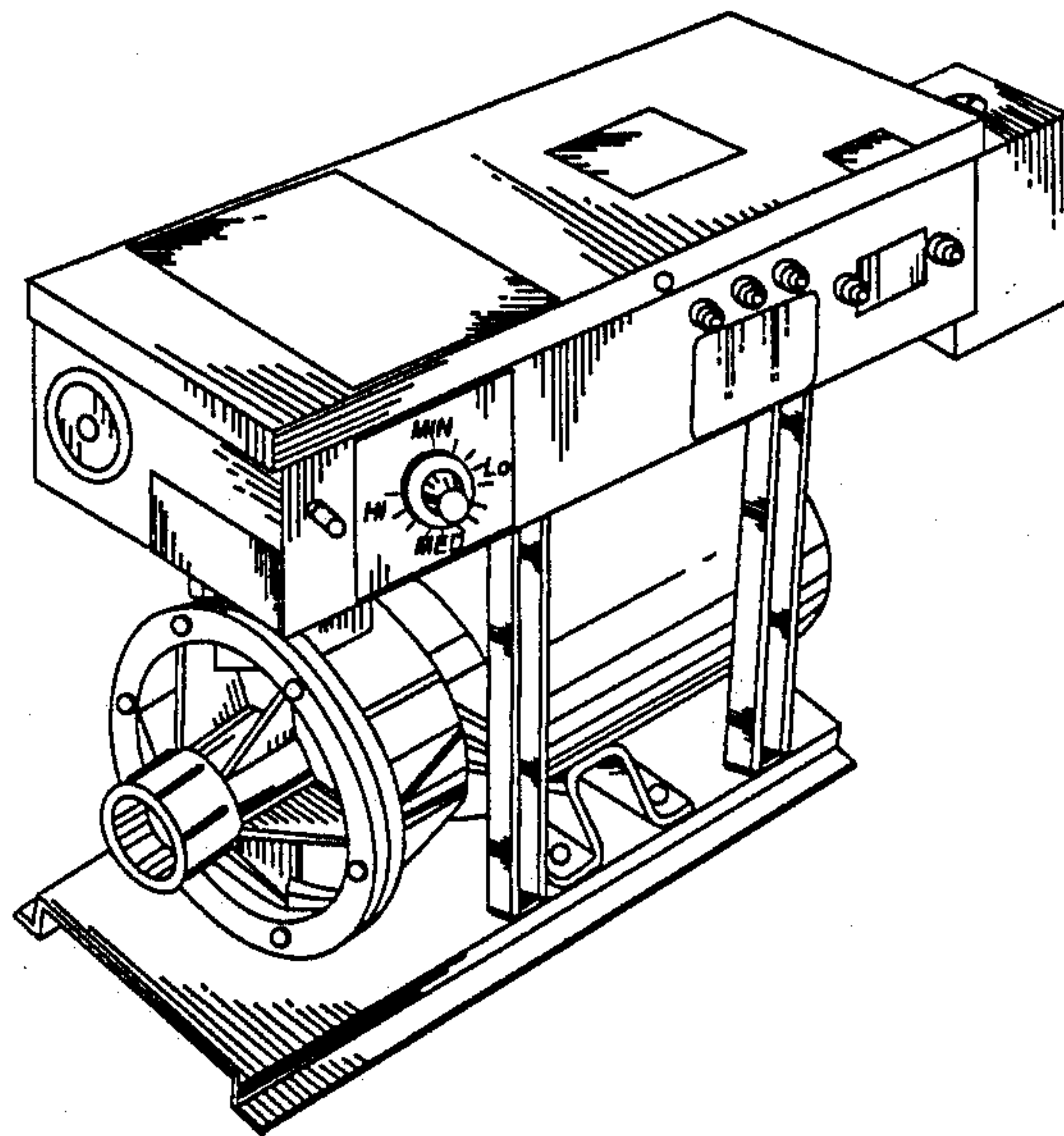
*Primary Examiner—James M. Gandy  
Attorney, Agent, or Firm—Seed and Berry*

[57] **CLAIM**

The ornamental design for a water heating and pumping unit, as shown.

**DESCRIPTION**

FIG. 1 is a top perspective view of a water heating and pumping unit showing my new design;  
FIG. 2 is a front elevation view thereof;  
FIG. 3 is an end elevation view thereof taken from the left of FIG. 2;  
FIG. 4 is a rear elevation view thereof;  
FIG. 5 is an end elevation view thereof taken from the right of FIG. 2;  
FIG. 6 is a top plan view thereof; and  
FIG. 7 is a bottom plan view thereof.



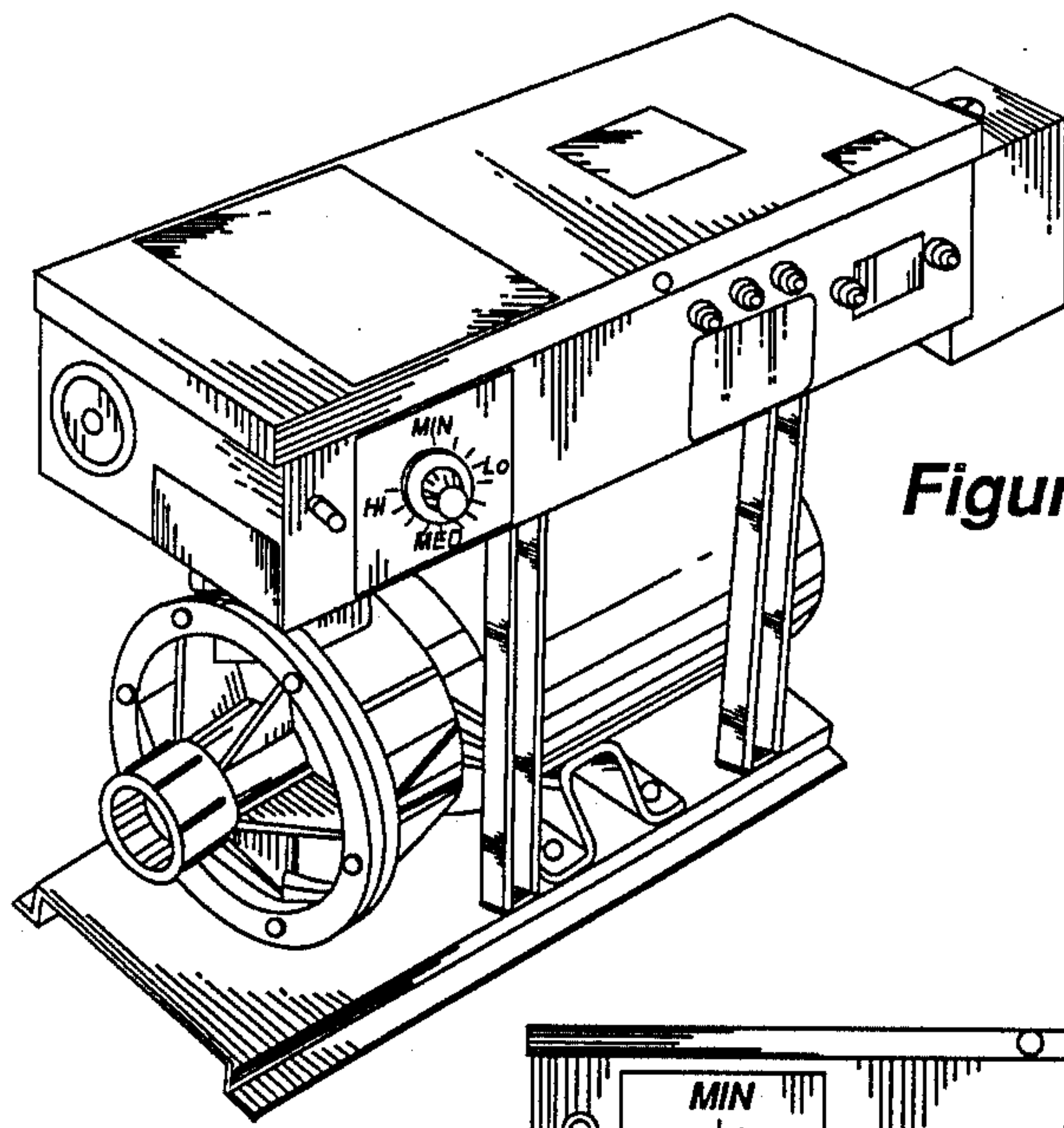


Figure 1

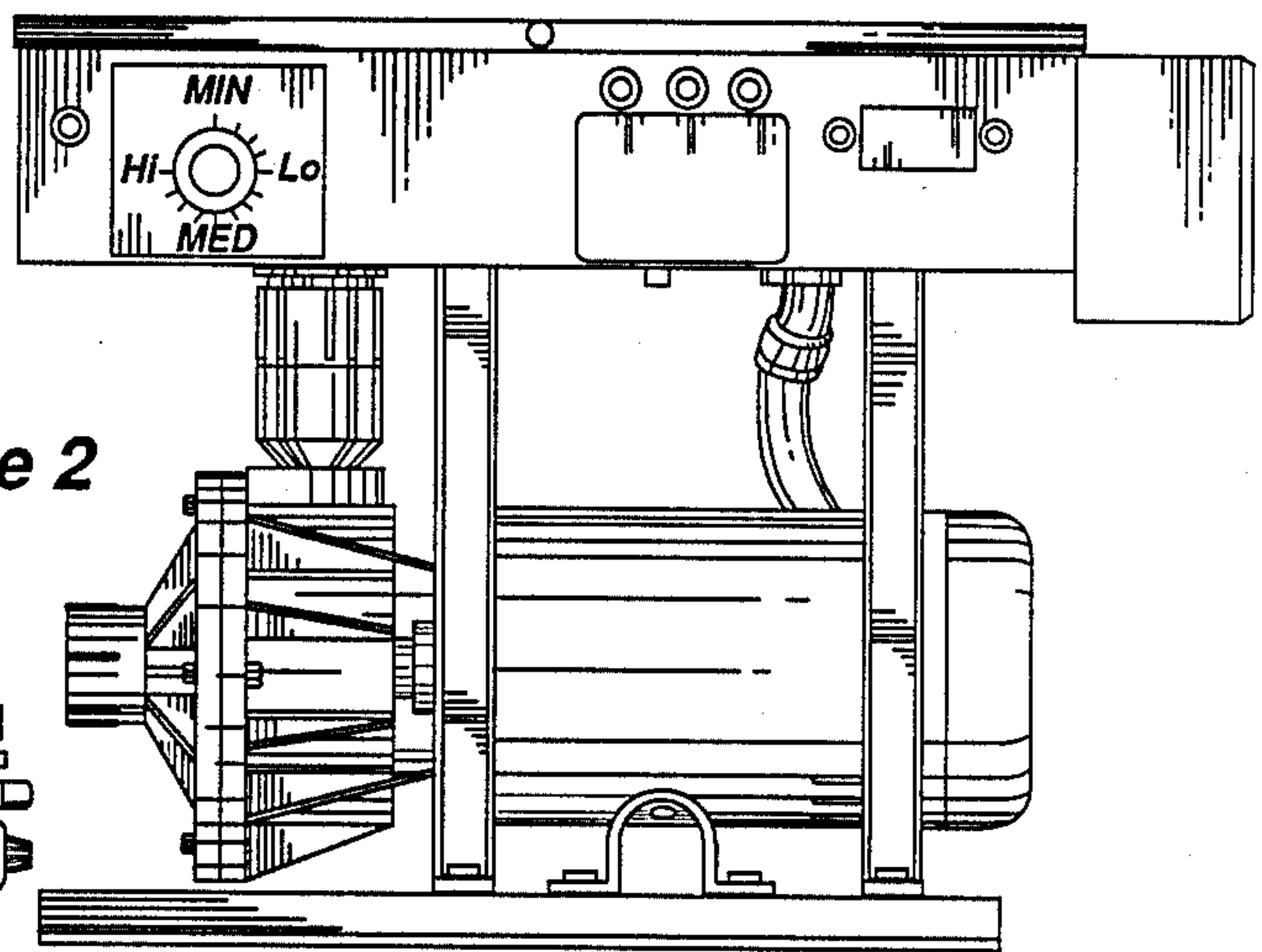


Figure 2

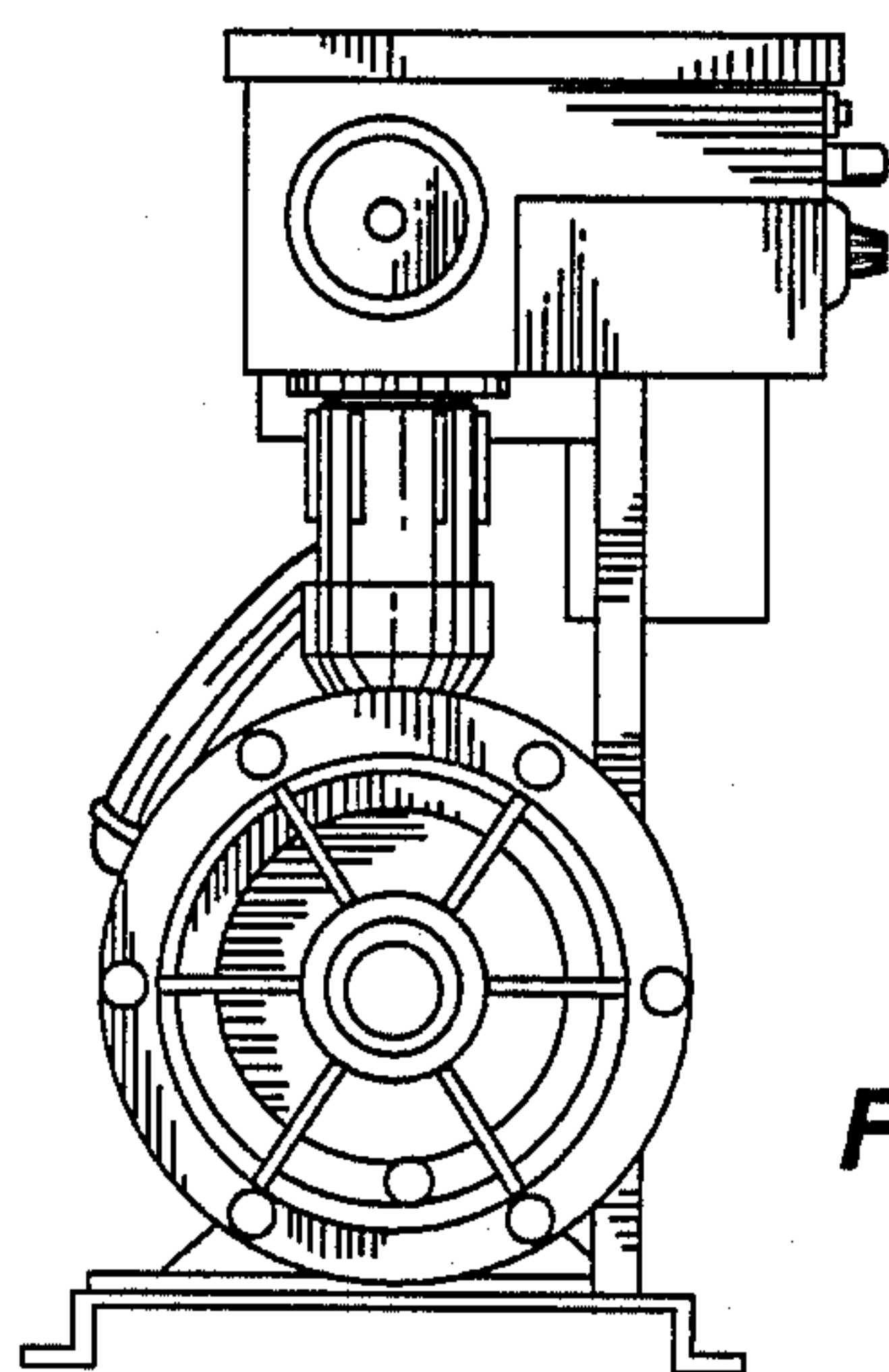


Figure 3

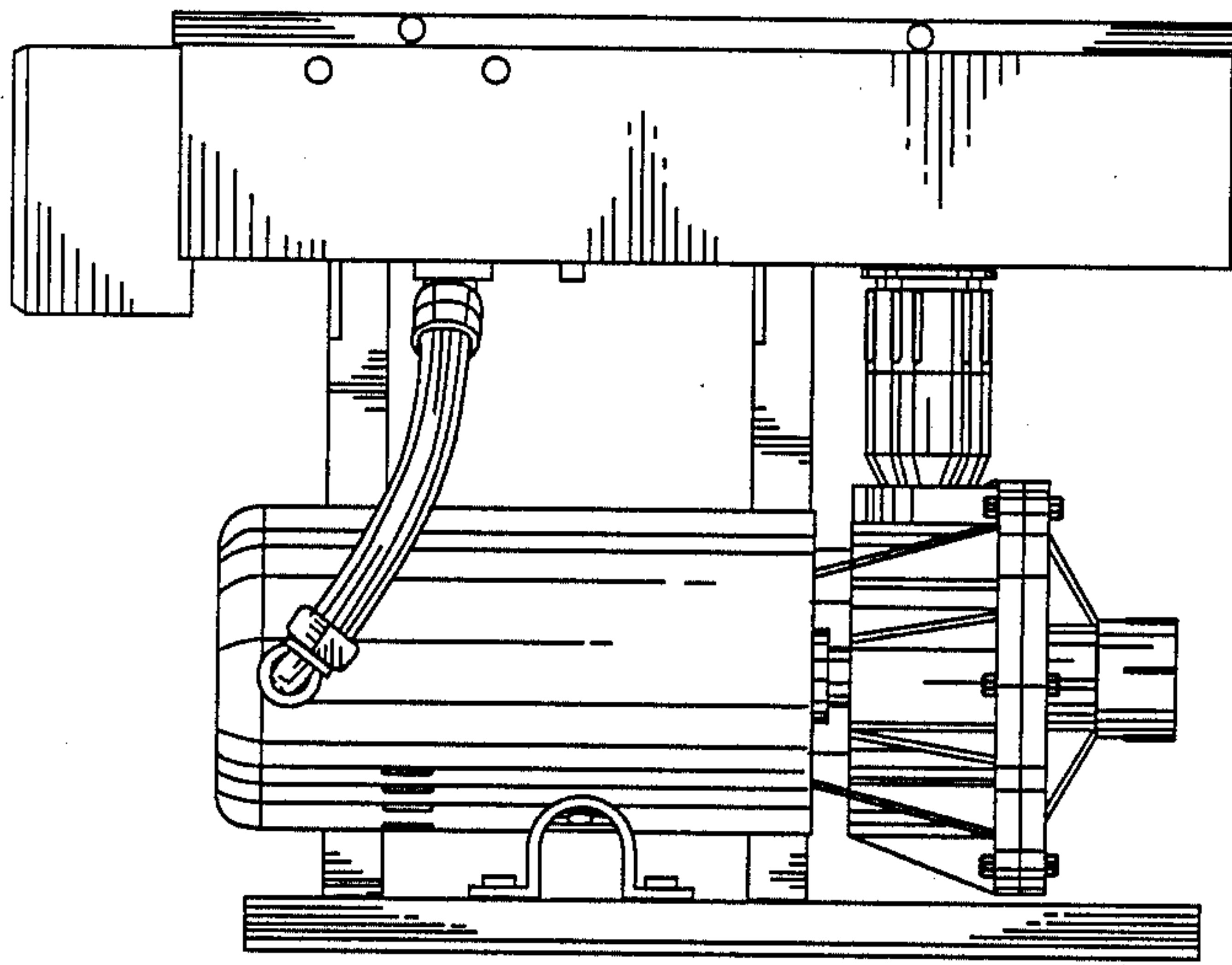


Figure 4

Figure 6

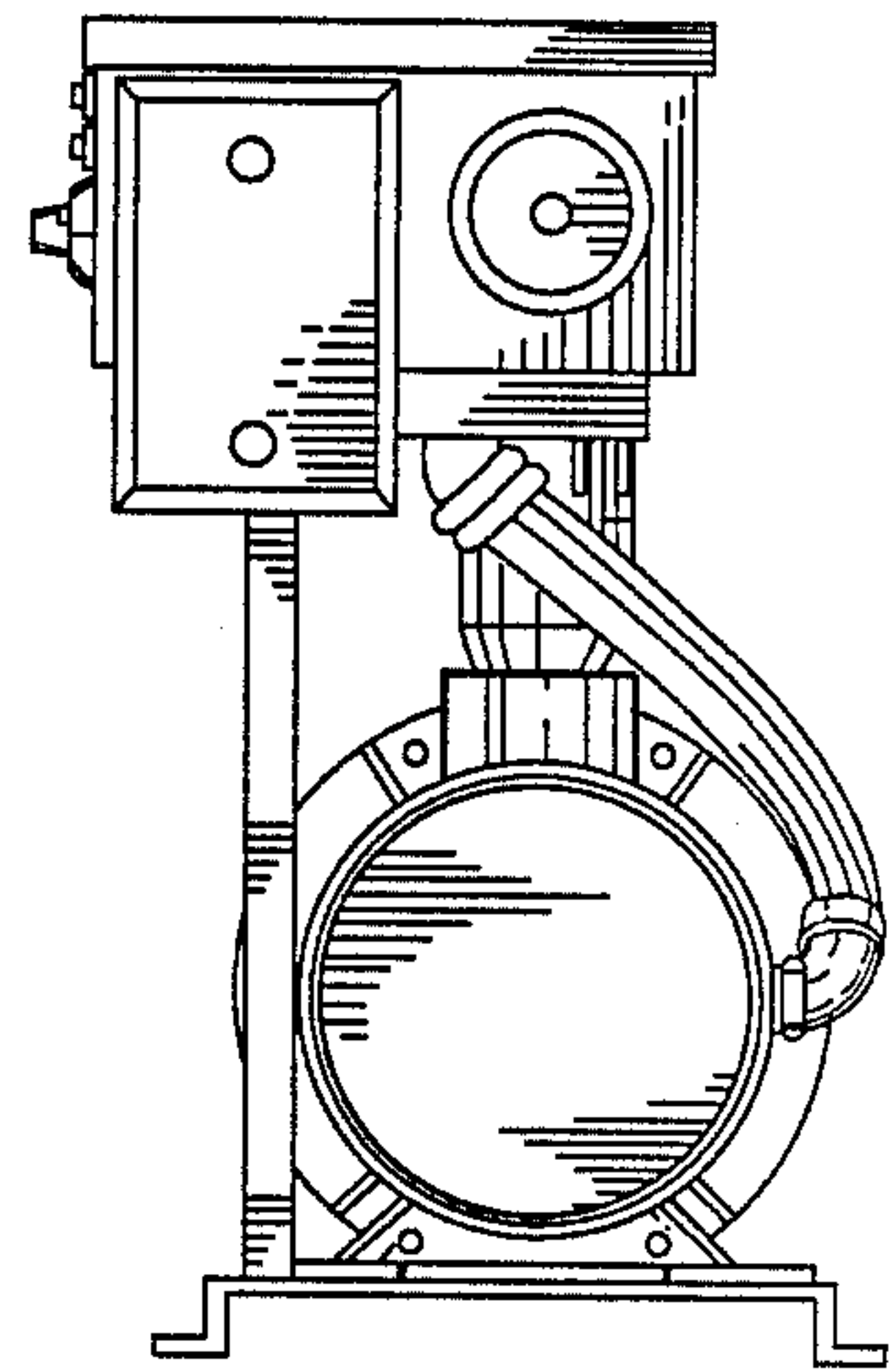
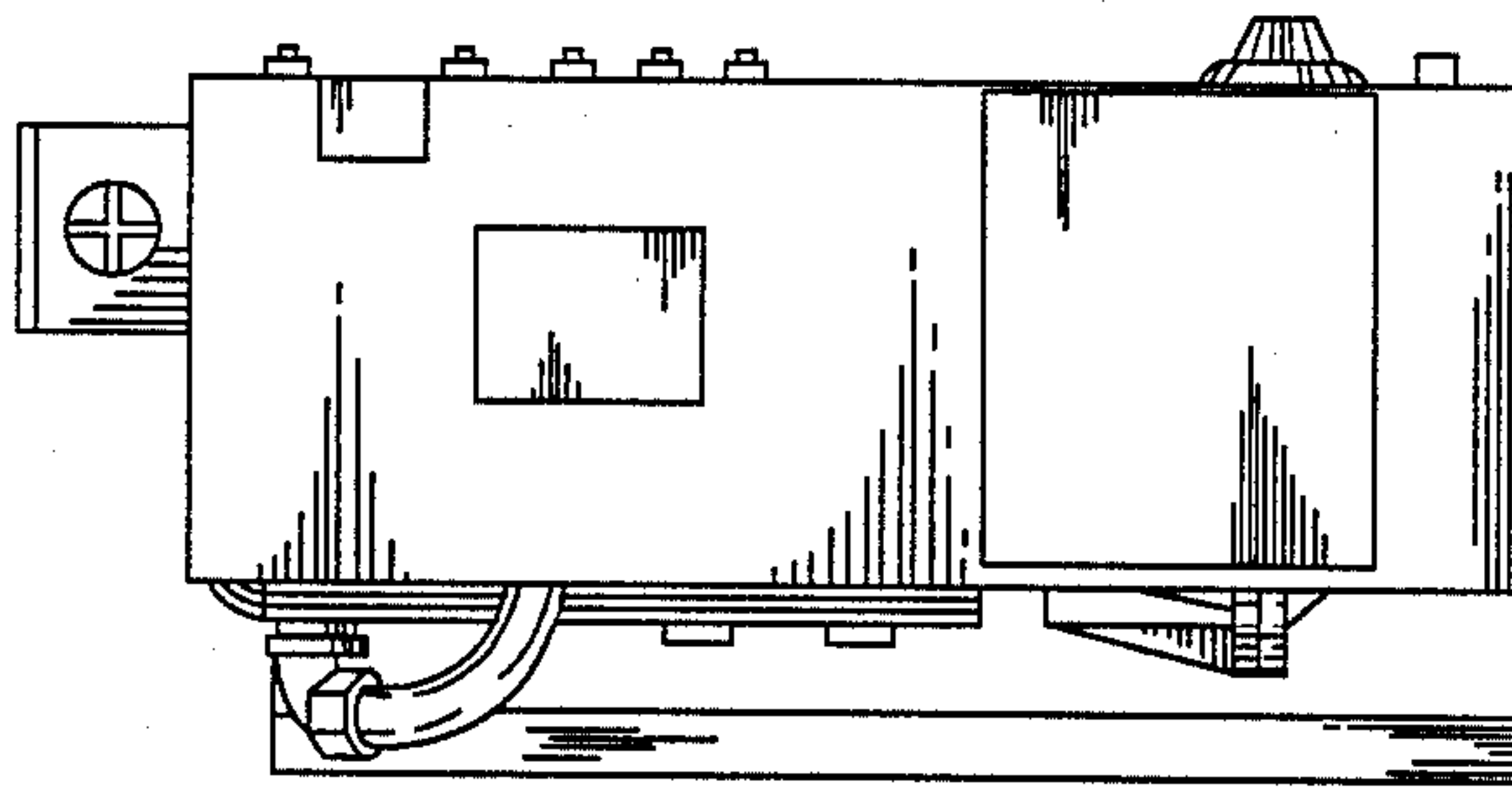


Figure 5

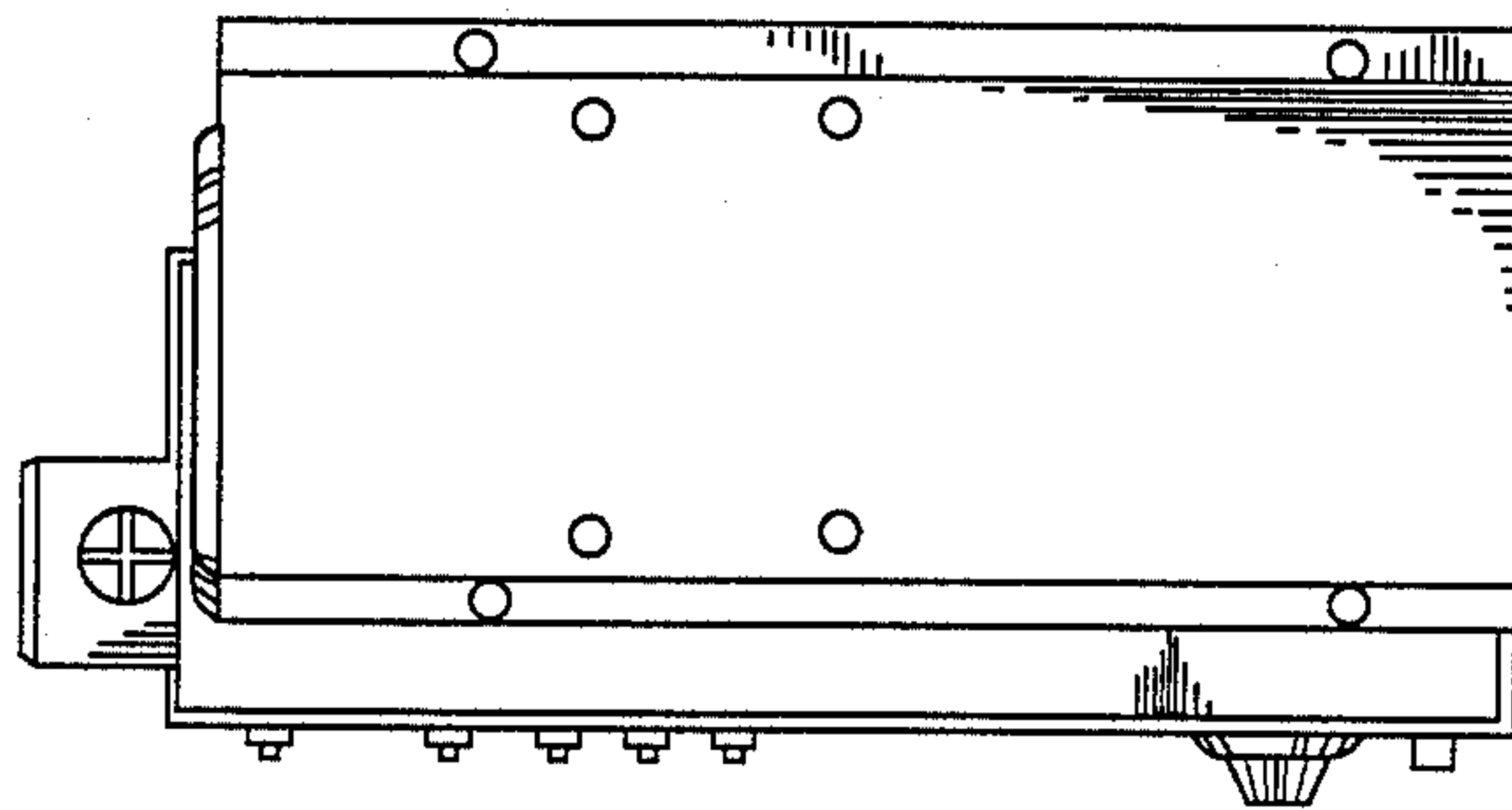


Figure 7