

[54] **FACSIMILE**

D. 295,284 4/1988 Kando D14/94

[75] **Inventor: Yoshihisa Ooie, Osaka, Japan**

[73] **Assignee: Sharp Corporation, Osaka, Japan**

[**] **Term: 14 Years**

[21] **Appl. No.: 929,668**

[22] **Filed: Nov. 12, 1986**

[30] **Foreign Application Priority Data**

May 12, 1986 [JP] Japan 61-17920

[52] **U.S. Cl. D14/118**

[58] **Field of Search D14/94, 99, 52, 63;
D16/27, 30, 31, 32; 358/256, 286**

[56] **References Cited**

U.S. PATENT DOCUMENTS

D. 267,948	2/1983	Kojima et al.	D14/94
D. 268,581	4/1983	Kikuchi	D14/94
D. 287,364	12/1986	Kando	D14/94
D. 288,444	2/1987	Takeuchi et al.	D14/94
D. 293,673	1/1988	Nishio	D14/94

OTHER PUBLICATIONS

Office Products Dealer, Mar. 1985, p. 37-bottom.

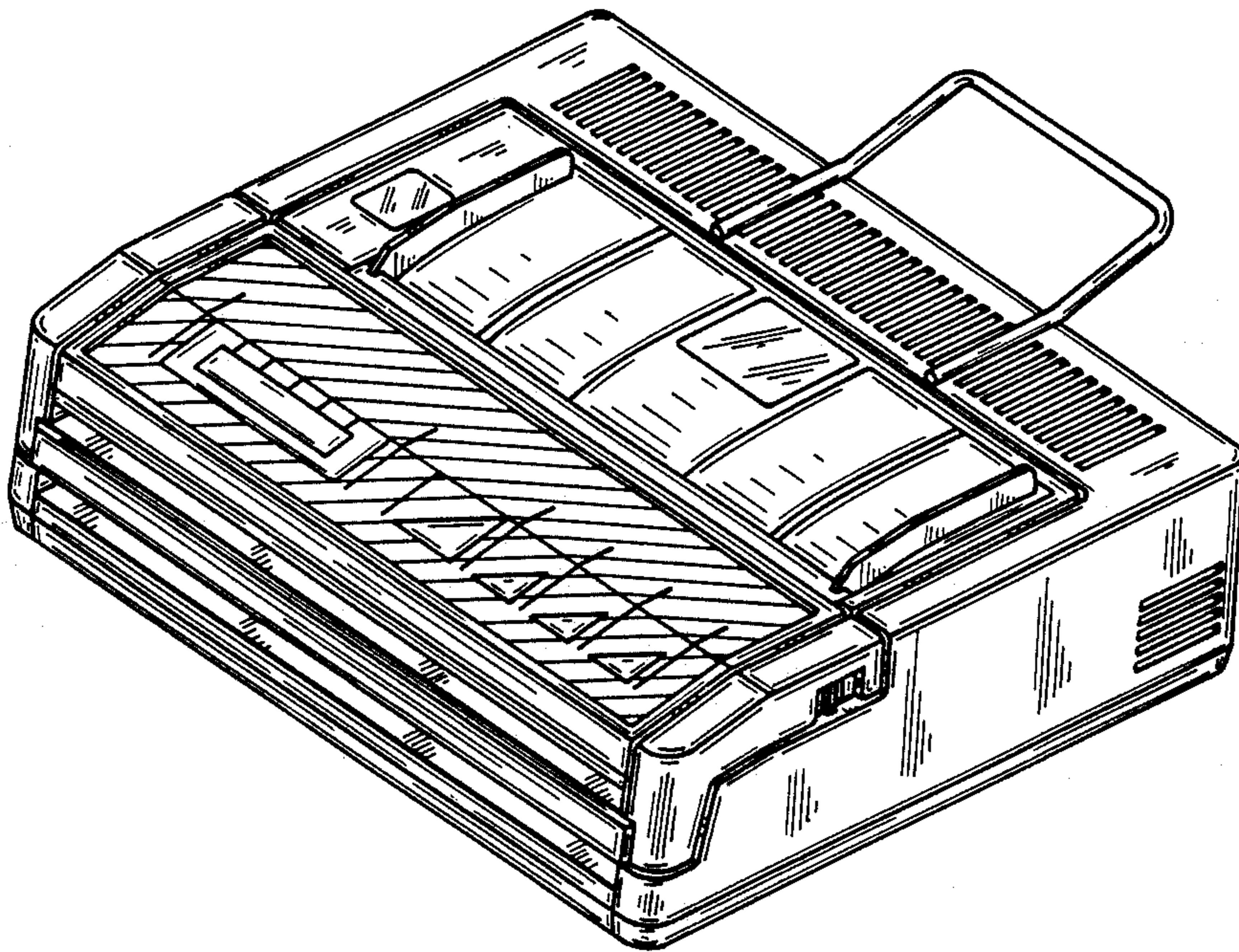
Primary Examiner—Bernard Ansher
Assistant Examiner—Theodore M. Shooman
Attorney, Agent, or Firm—Flehr, Hohbach, Test,
Albritton & Herbert

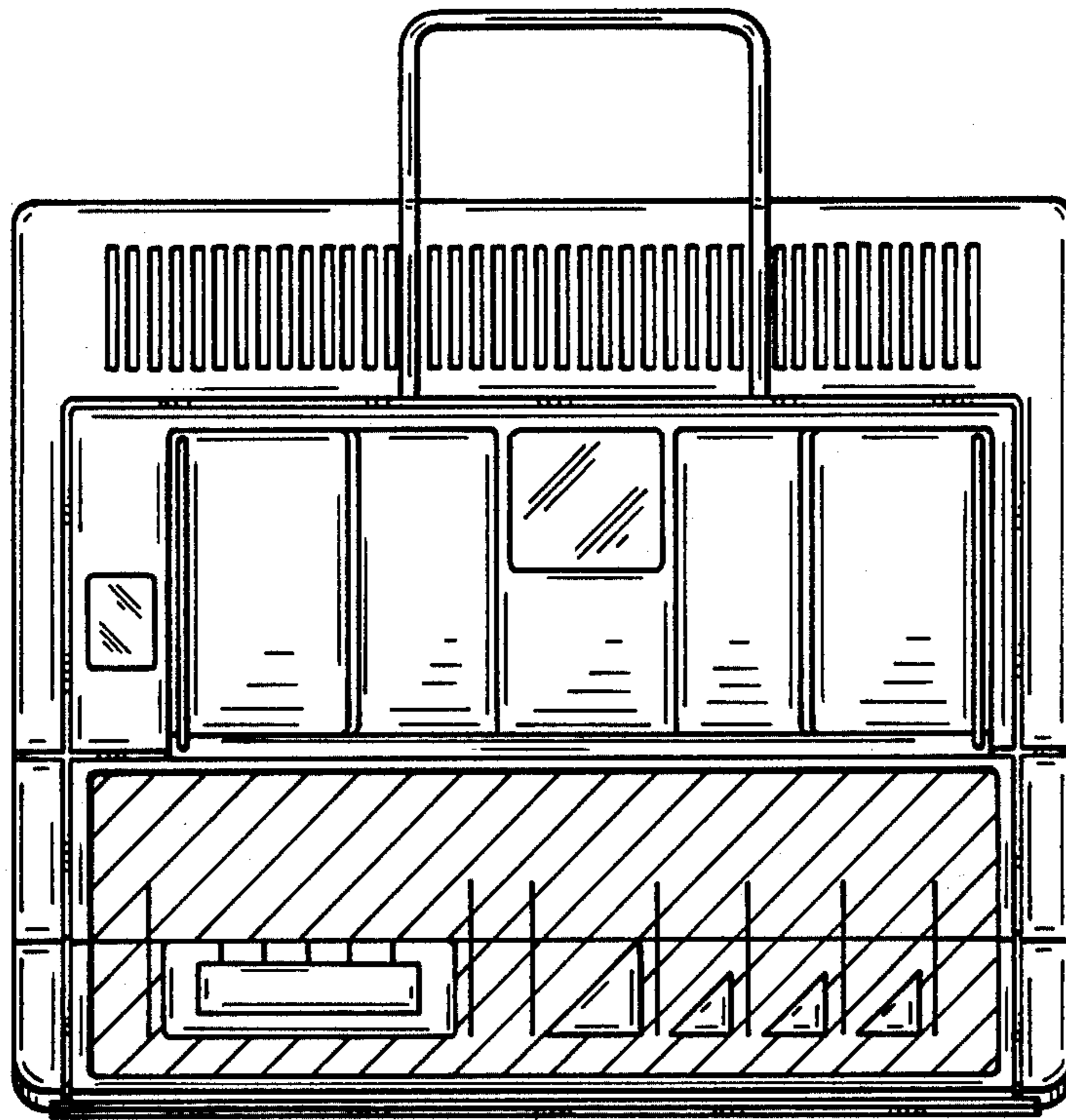
[57] **CLAIM**

The ornamental design for a facsimile, as shown and described.

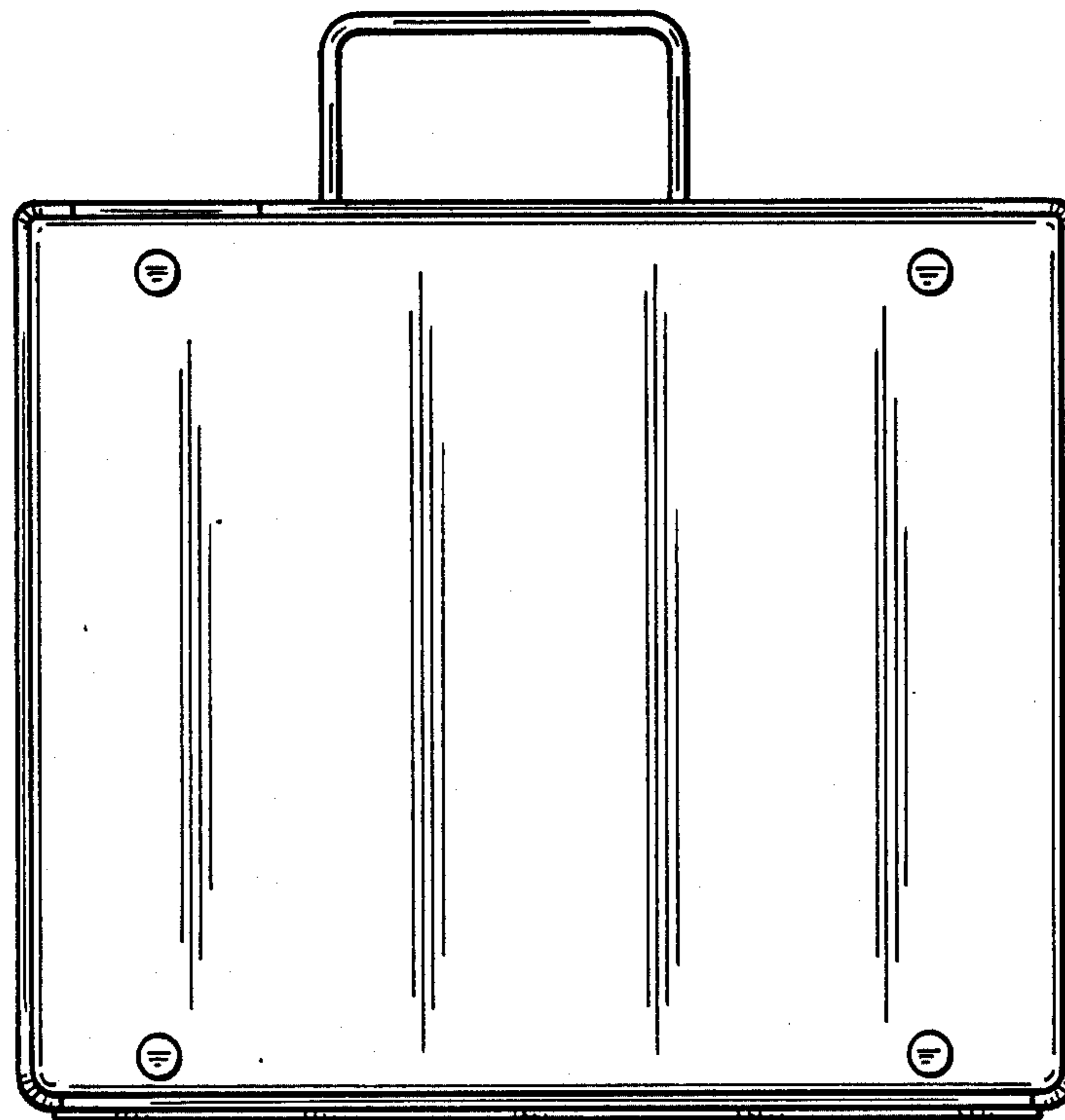
DESCRIPTION

FIG. 1 is a top plan view of a facsimile showing my new design;
FIG. 2 is a bottom plan view thereof;
FIG. 3 is a front elevational view thereof;
FIG. 4 is a rear elevational view thereof;
FIG. 5 is a right side elevational view, the left side elevational view being a mirror image thereof; and
FIG. 6 is a top, front and right side perspective view thereof.

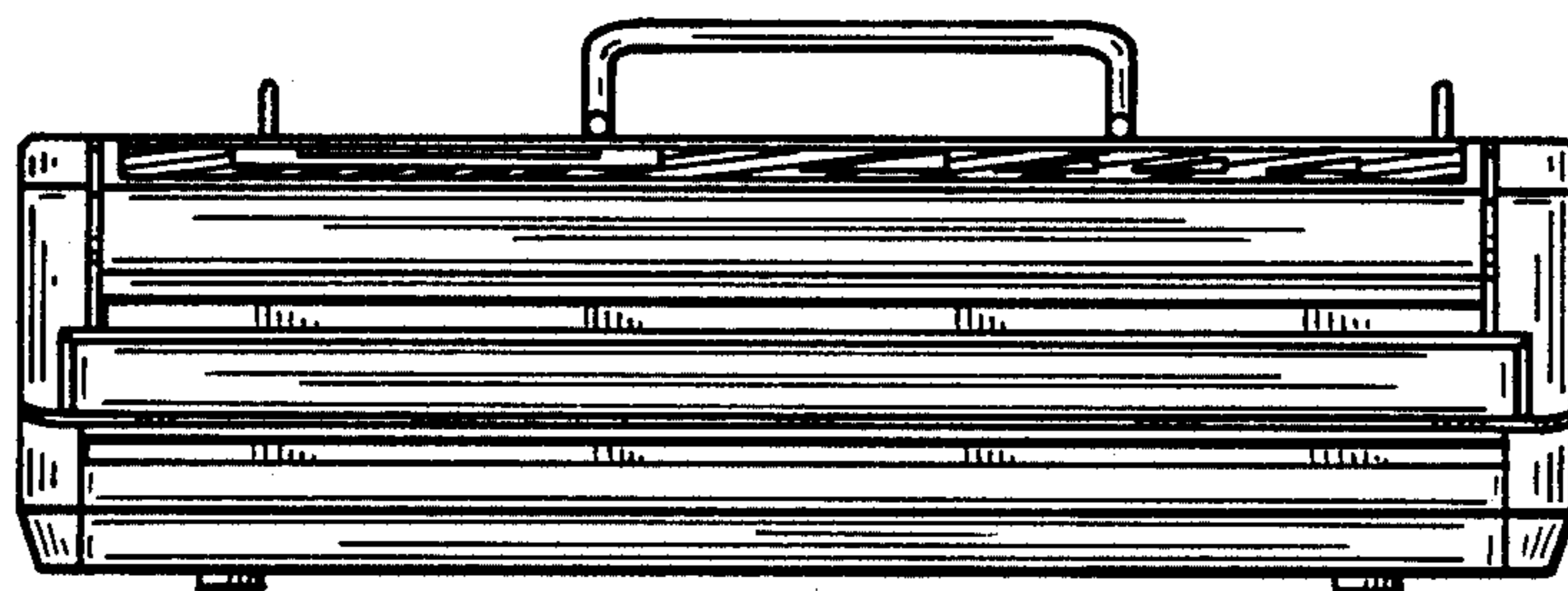




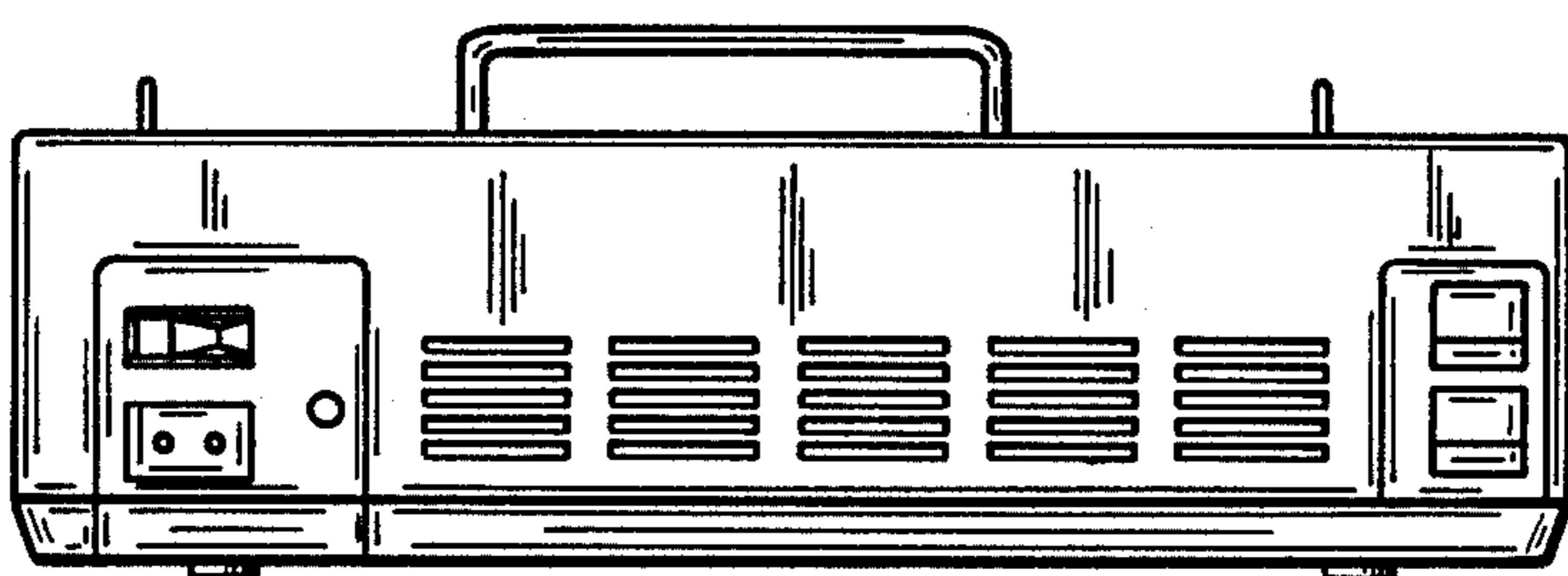
FIG_1



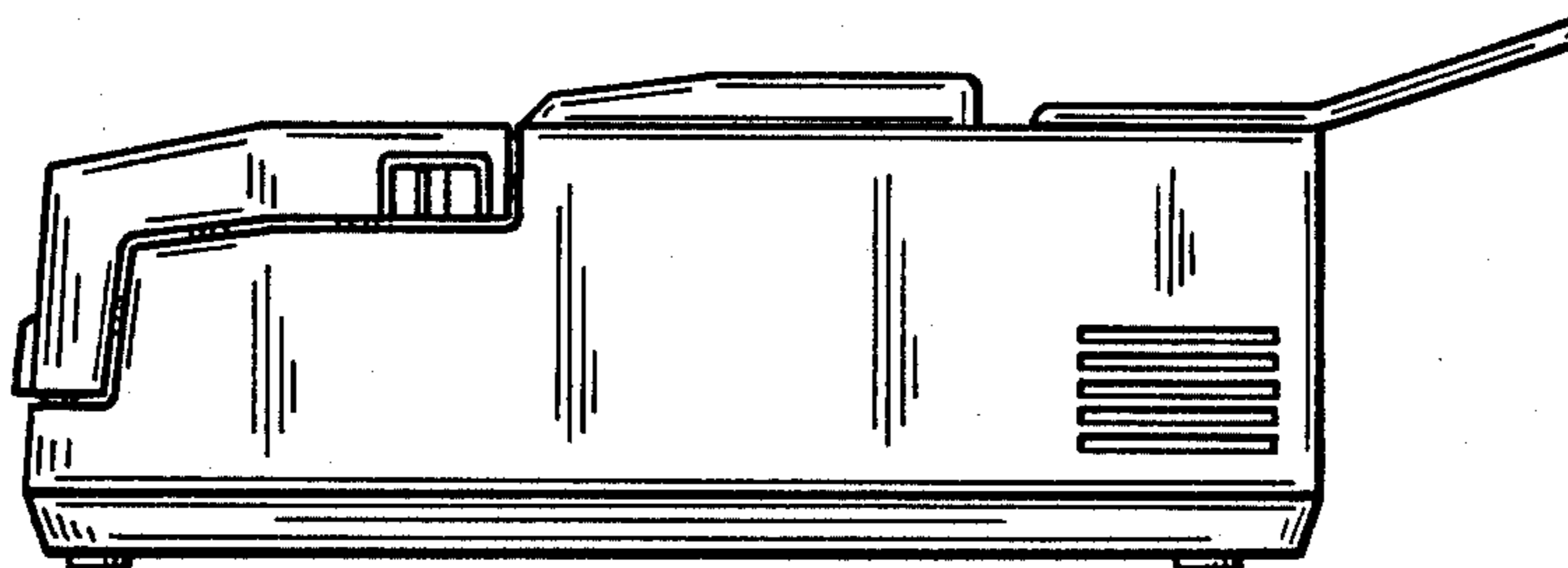
FIG_2



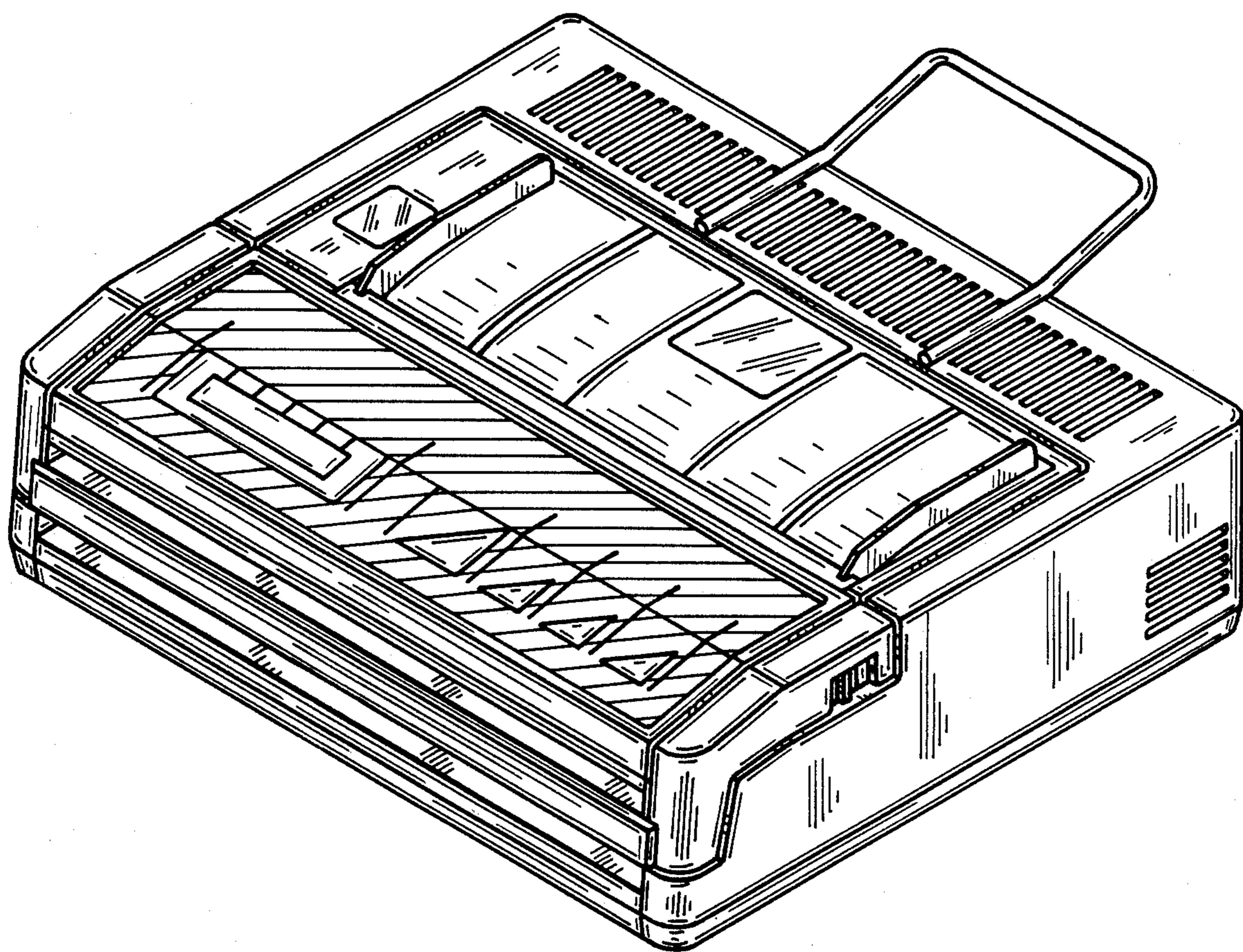
FIG_3



FIG_4



FIG_5



FIG_6