

[54] **TERMINAL OUTLET BOX FOR AN ELECTRICAL TRACK FOR ROOM LIGHTING SYSTEM**

| | | | |
|------------|---------|--------------------|---------|
| D. 281,876 | 12/1985 | Kelly | D13/24 |
| 2,301,228 | 11/1942 | Pollak et al. | 362/147 |
| 4,414,617 | 11/1983 | Galindo | 362/404 |
| 4,494,808 | 1/1985 | Widell | 439/119 |

[75] Inventors: **Guido Frassati, Leumann; Giuseppe Mugliardo, Pino Torinese; Riccardo Valvassori, Turin, all of Italy**

Primary Examiner—Susan J. Lucas
Attorney, Agent, or Firm—Shlesinger & Myers

[73] Assignee: **S.A.M.E.S. S.p.A., Pinerolo, Italy**

[57] **CLAIM**

[**] Term: **14 Years**

The ornamental design for a terminal outlet box for an electrical track for room lighting system, as shown and described.

[21] Appl. No.: **822,272**

[22] Filed: **Jan. 24, 1986**

DESCRIPTION

[30] **Foreign Application Priority Data**

Jul. 24, 1985 [IT] Italy 53626/85[U]

[52] U.S. Cl. **D13/30; D13/13**

[58] Field of Search **D26/72, 80-92, D26/113, 138; 362/147, 404-408, 47; D13/24, 13, 30; 439/110-121**

FIG. 1 is a bottom plan view of a terminal outlet box for an electrical track for room lighting system showing our new design;

FIG. 2 is a top plan view thereof;

FIG. 3 is a right side elevational view thereof;

FIG. 4 is a left side elevational view thereof;

FIG. 5 is a front elevational view thereof;

FIG. 6 is a rear elevational view thereof and,

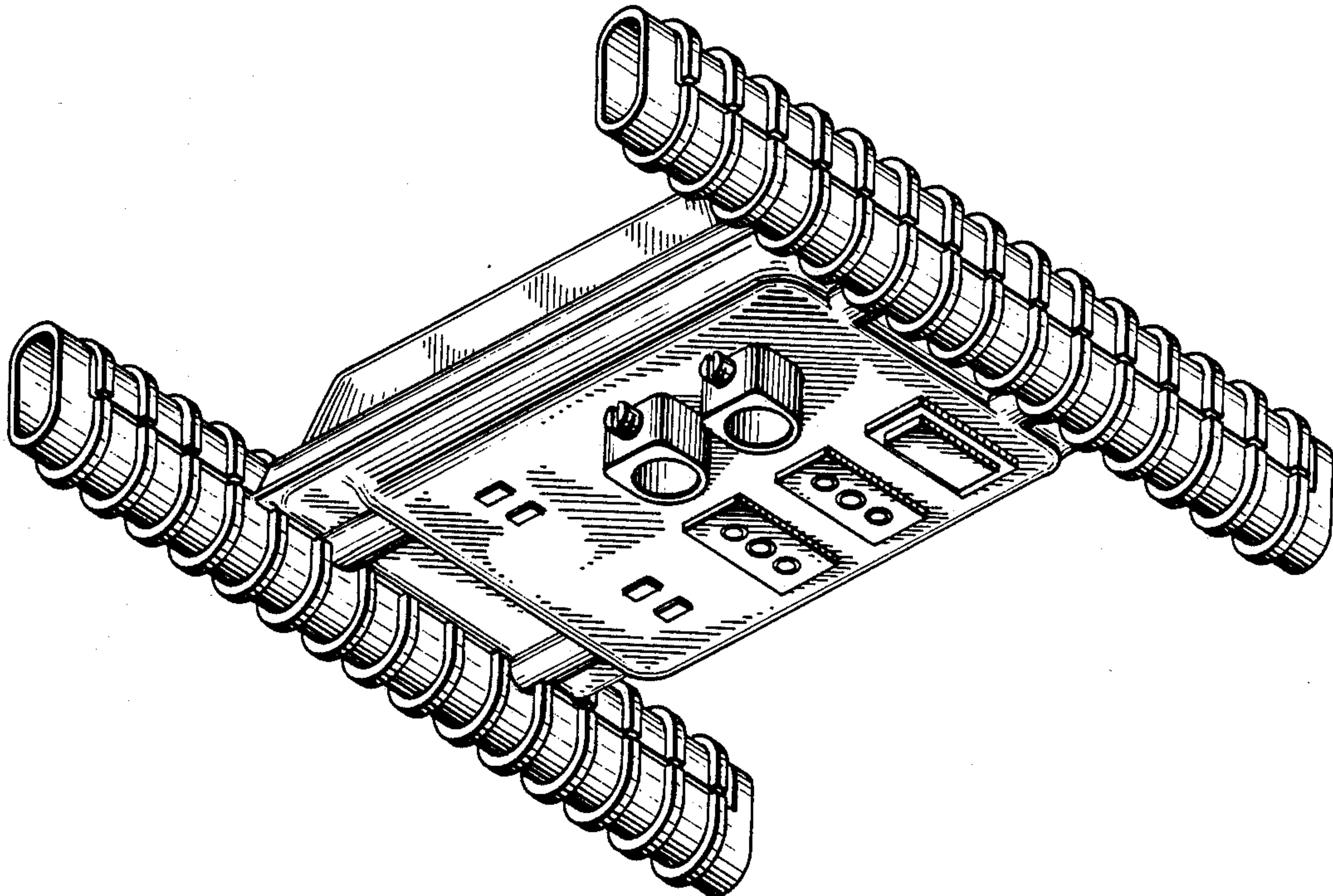
FIG. 7 is a bottom perspective view thereof.

The phantom line showings of FIGS. 1-6 shows the environment in which our new design is used.

[56] **References Cited**

U.S. PATENT DOCUMENTS

D. 256,579 8/1980 Legerius et al. D13/13



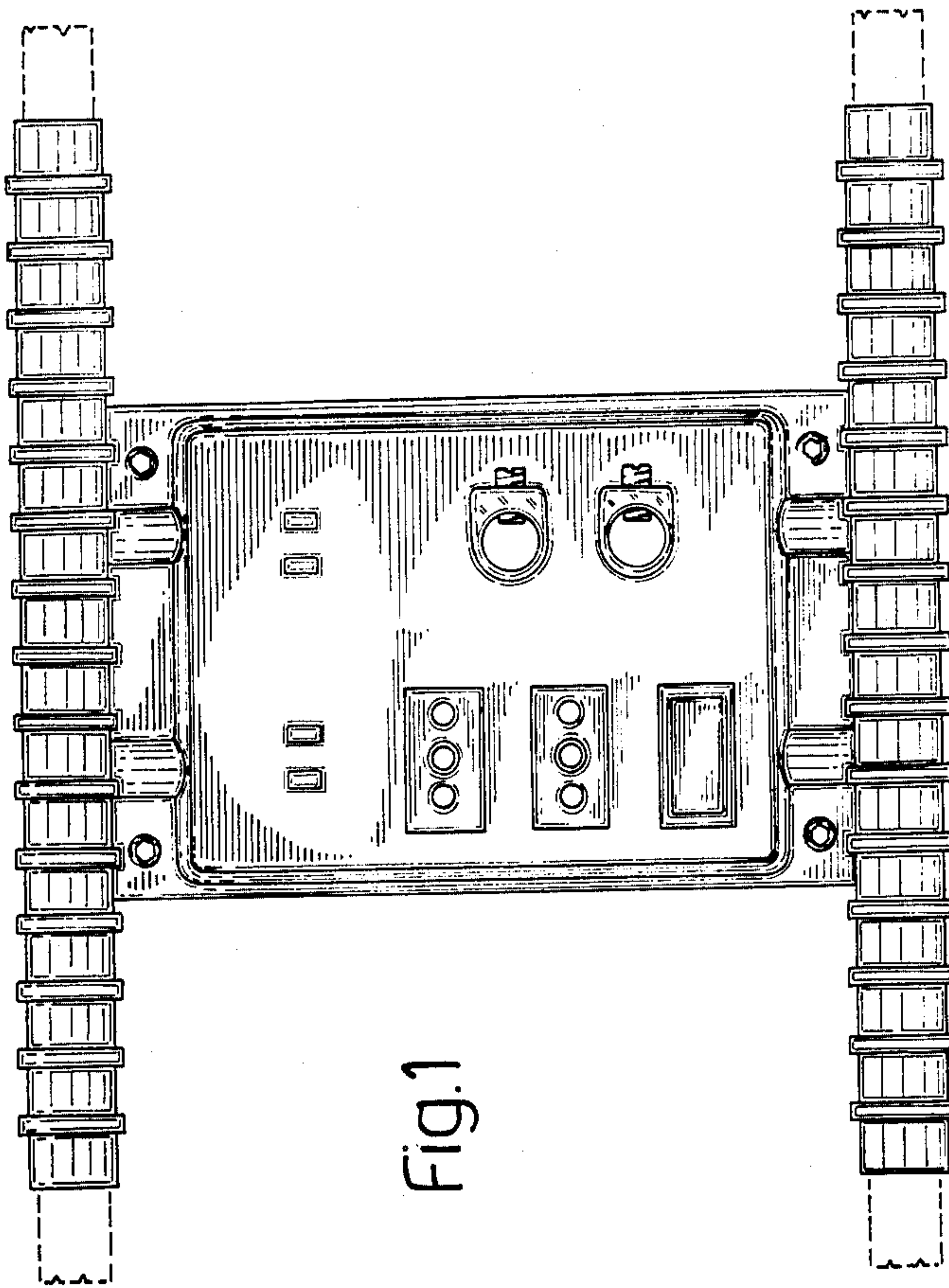


Fig.1

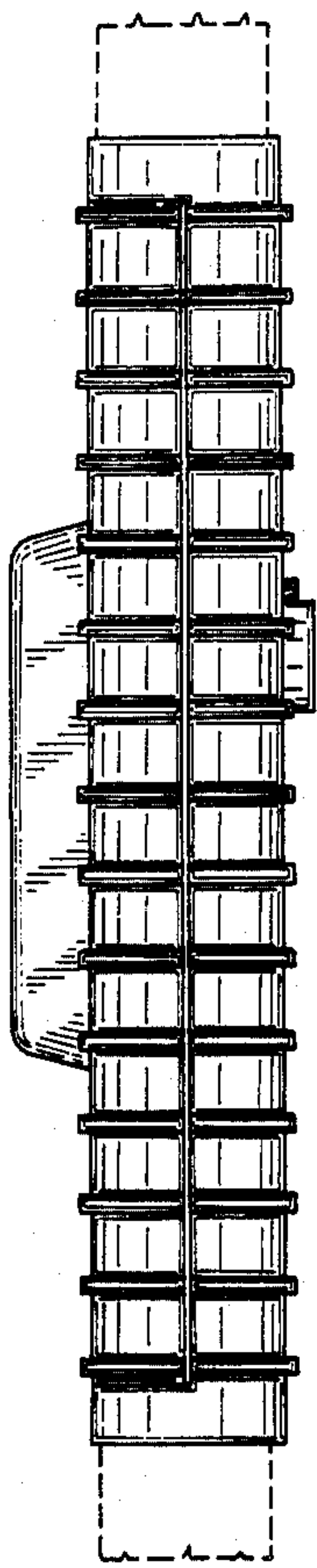


Fig. 3

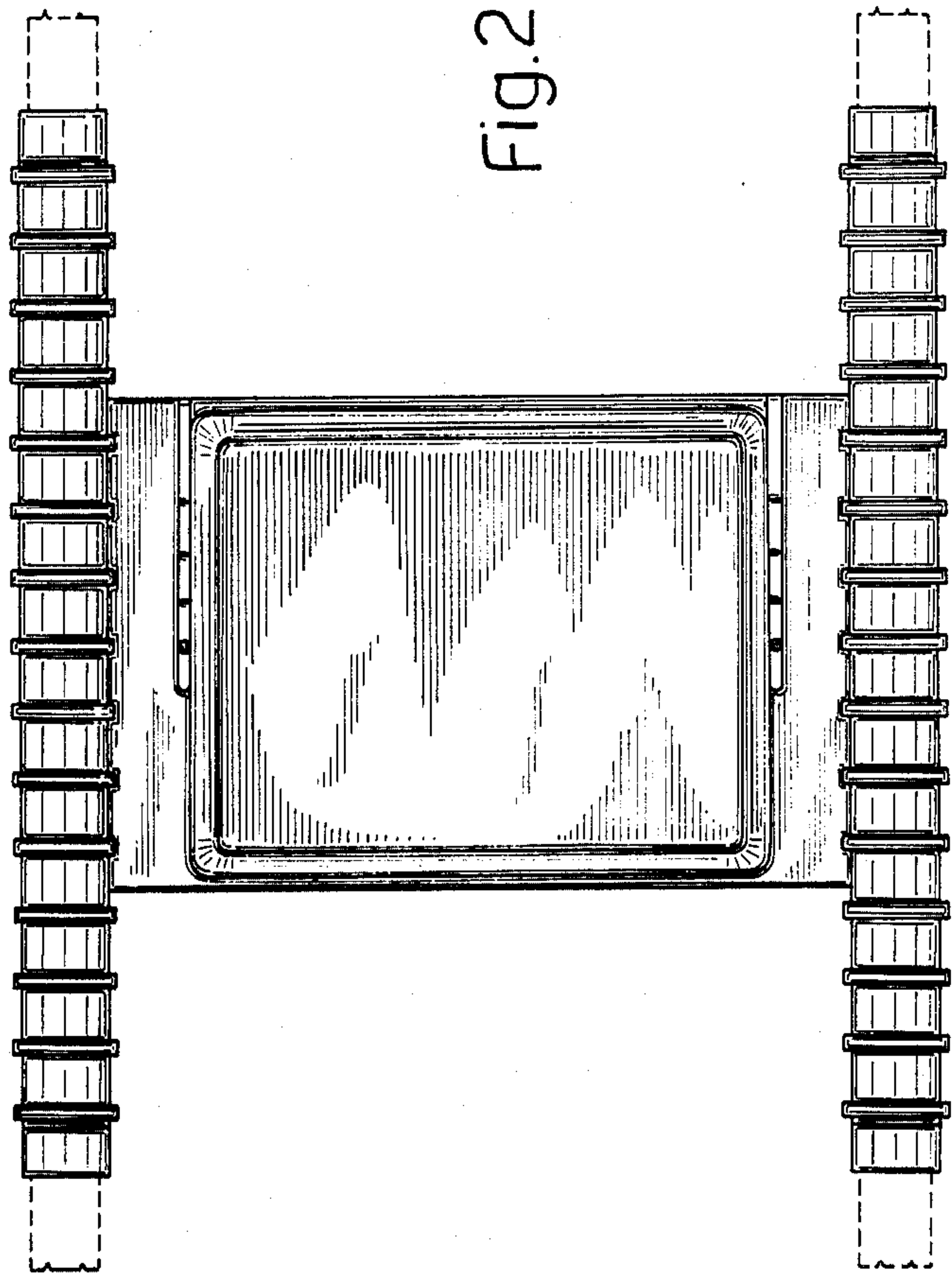
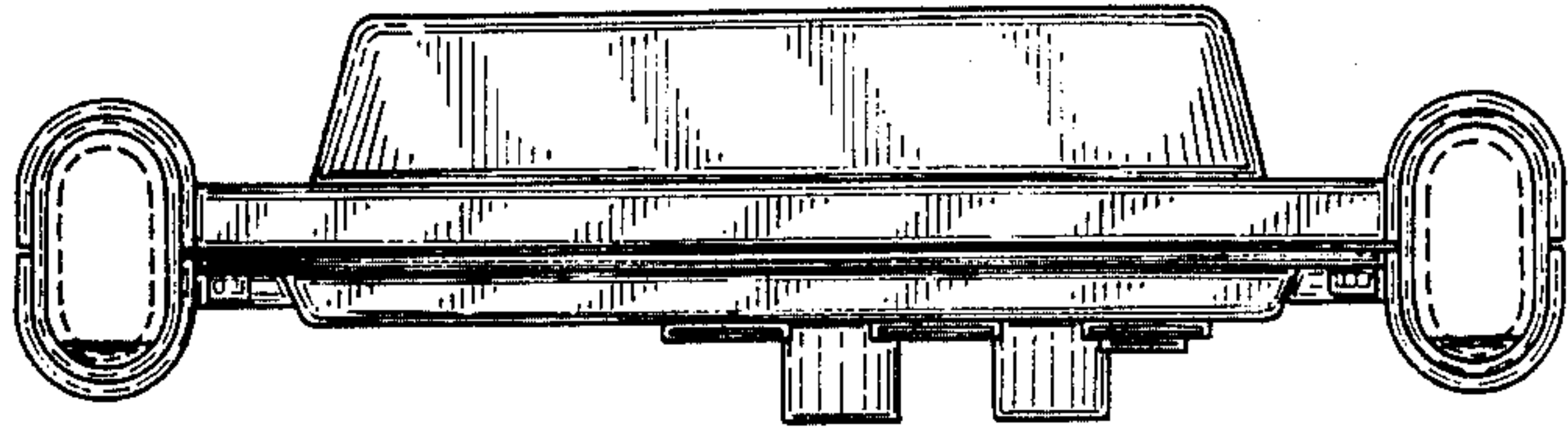


Fig. 2

Fig. 5



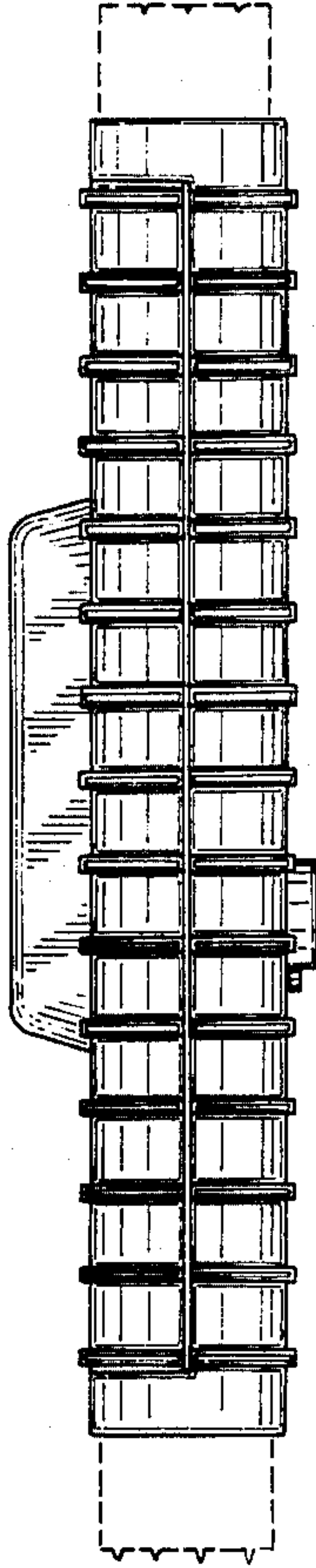


Fig. 4

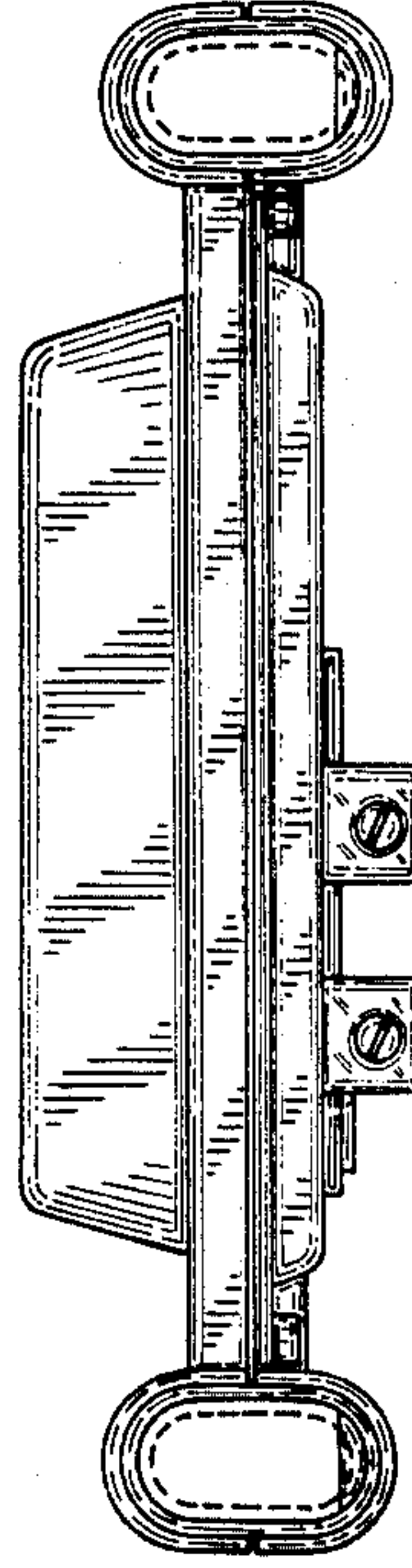


Fig. 6

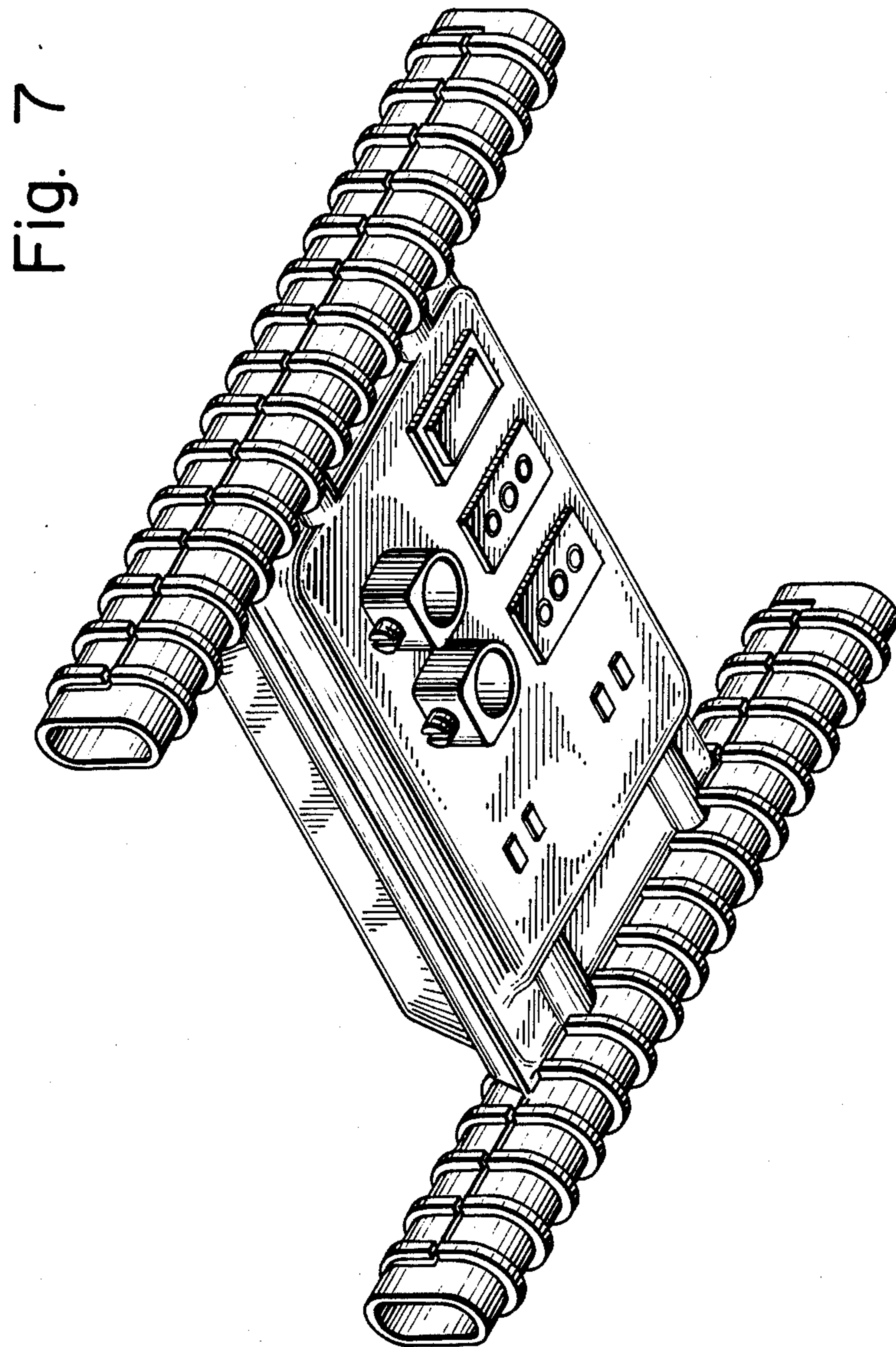


Fig. 7