

[54] **WINDSHIELD VISOR**

[75] **Inventor: Douglas H. Buck, Brea, Calif.**

[73] **Assignee: D. H. Buck Co., Inc., Placentia, Calif.**

[\*\*] **Term: 14 Years**

[21] **Appl. No.: 34,586**

[22] **Filed: Apr. 6, 1987**

[52] **U.S. Cl. .... D12/191**

[58] **Field of Search ..... D12/191; 296/95.1, 97.1,  
296/97.2; 160/DIG. 3**

[56] **References Cited**

**U.S. PATENT DOCUMENTS**

D. 288,309 2/1987 Lund ..... D12/191  
D. 291,295 8/1987 Lund ..... D12/191

*Primary Examiner*—James M. Gandy  
*Attorney, Agent, or Firm*—Knobbe, Martens, Olson & Bear

[57] **CLAIM**

The ornamental design for a windshield visor, as shown.

**DESCRIPTION**

FIG. 1 is a front perspective view illustrating the ornamental design of the windshield visor;

FIG. 2 is a top plan view thereof;

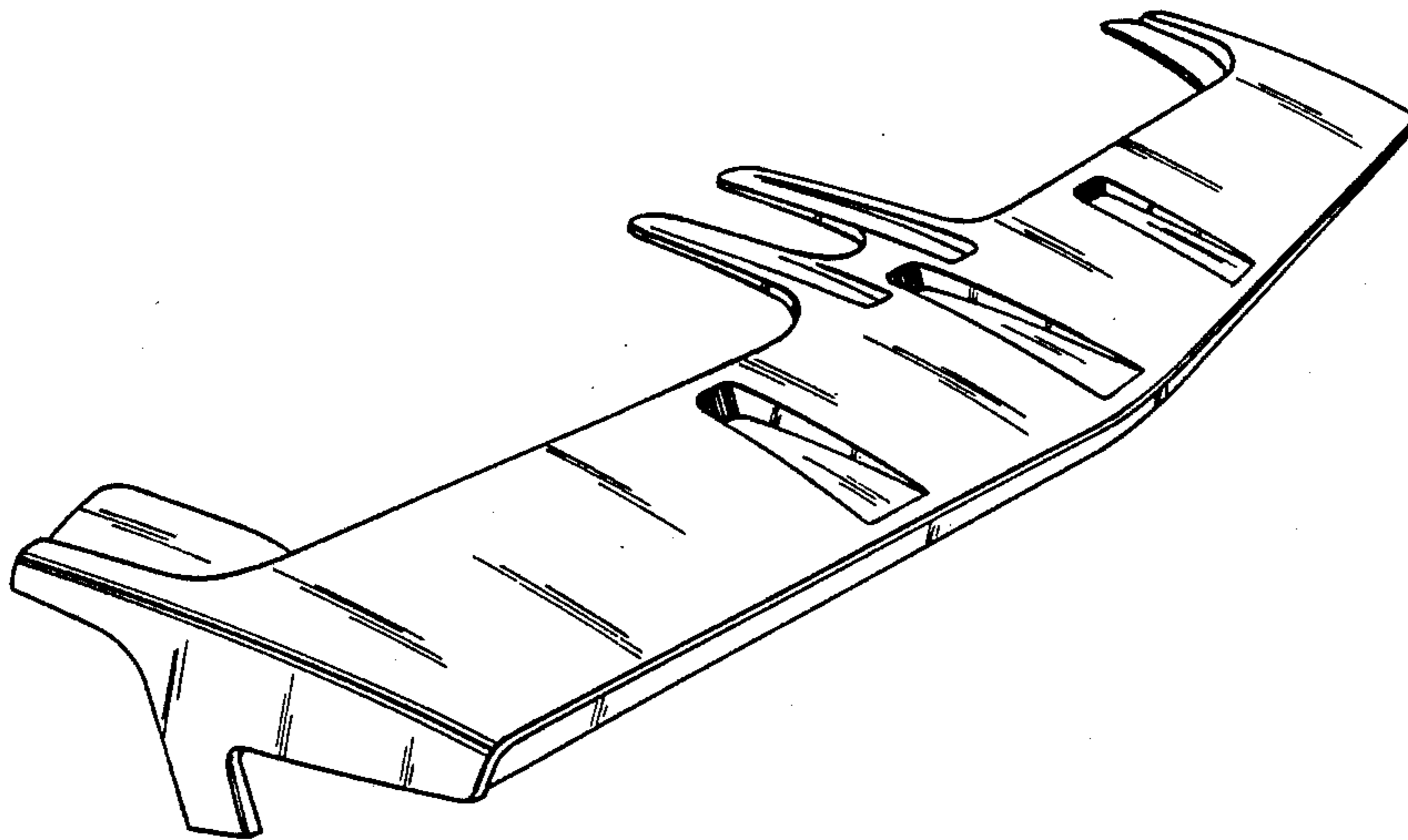
FIG. 3 is a front elevational view thereof;

FIG. 4 is a side elevational view of the right-hand side thereof;

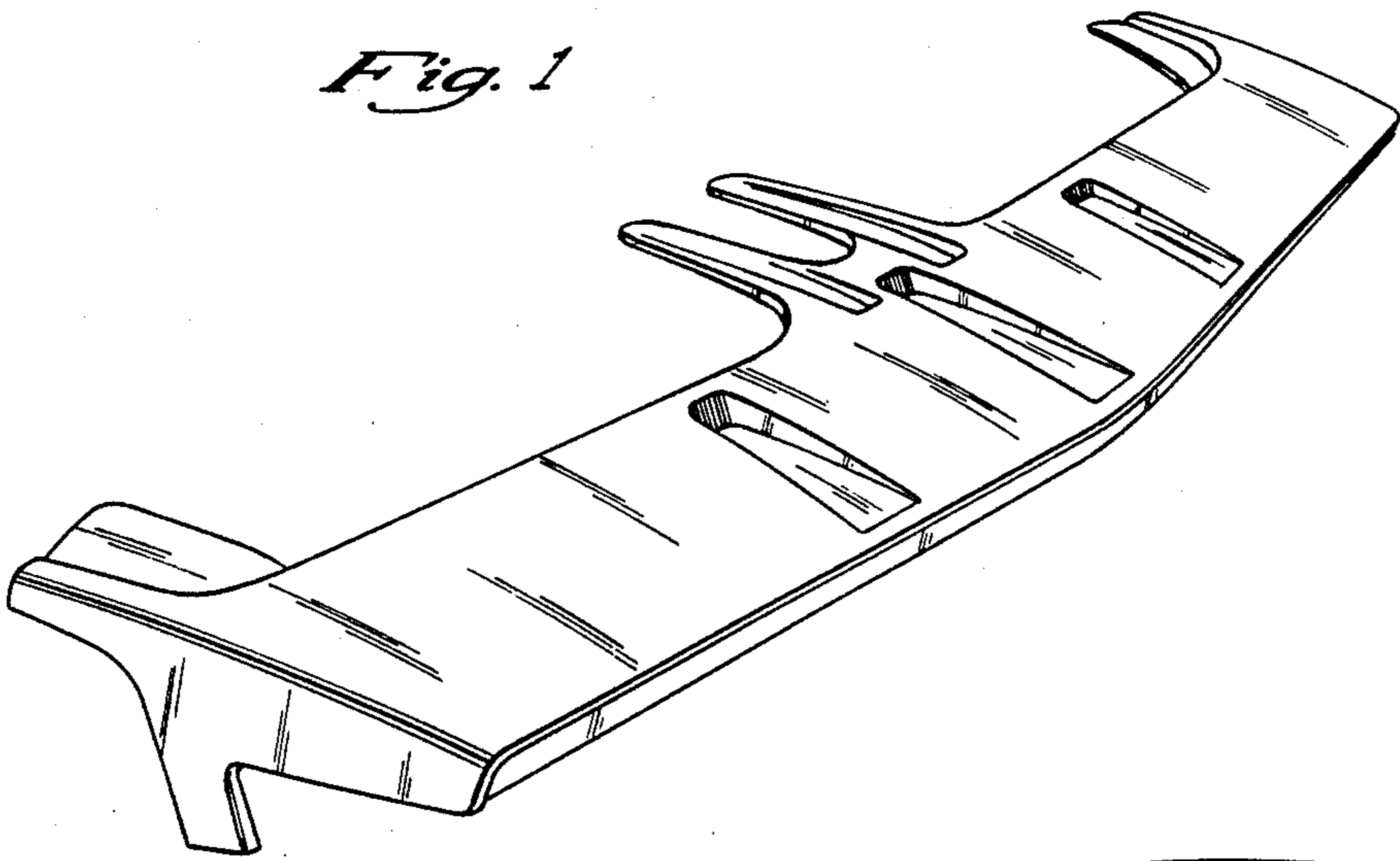
FIG. 5 is a side elevational view of the left-hand side thereof;

FIG. 6 is a rear elevational view thereof; and

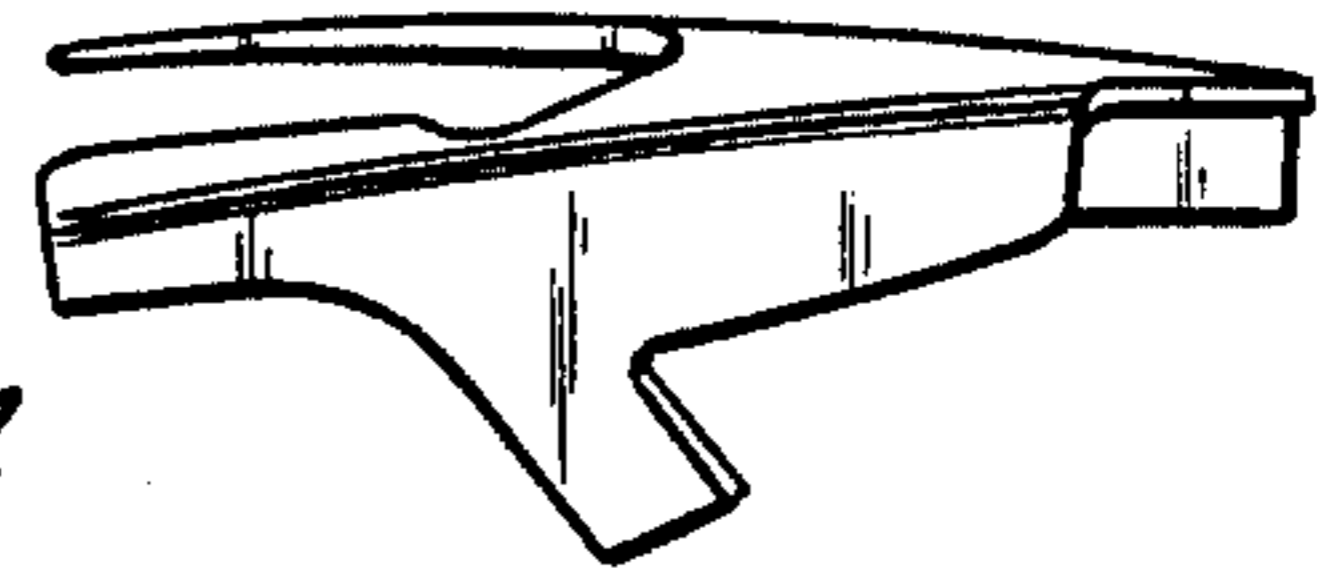
FIG. 7 is a bottom plan view thereof.



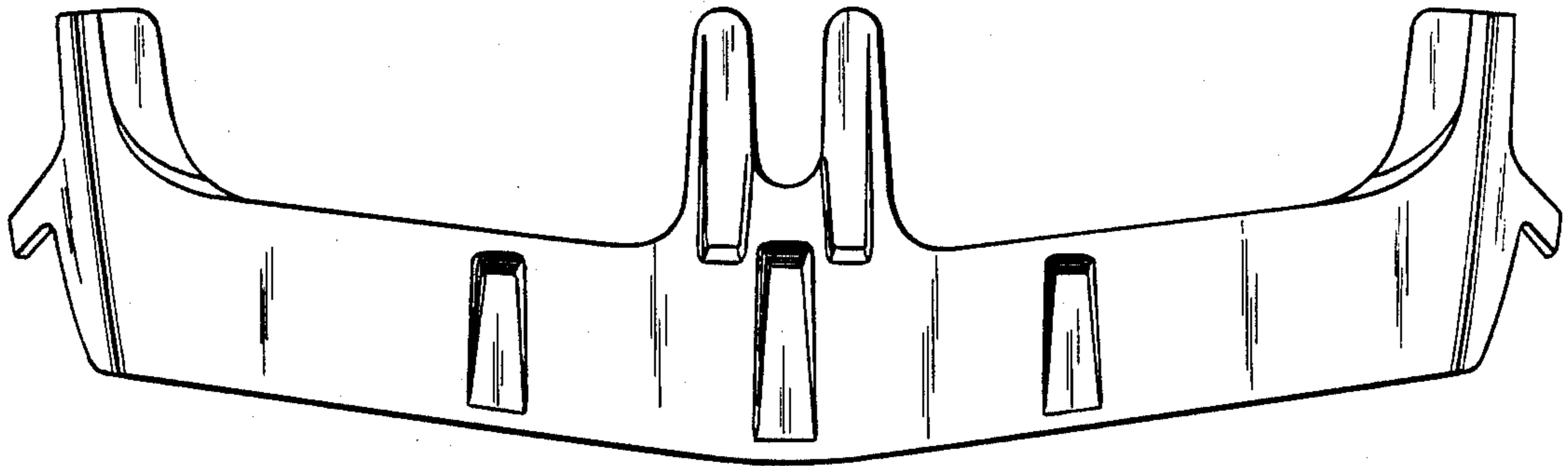
*Fig. 1*



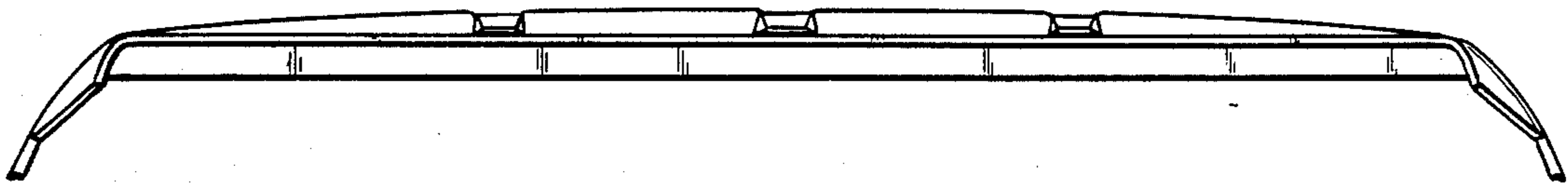
*Fig. 4*



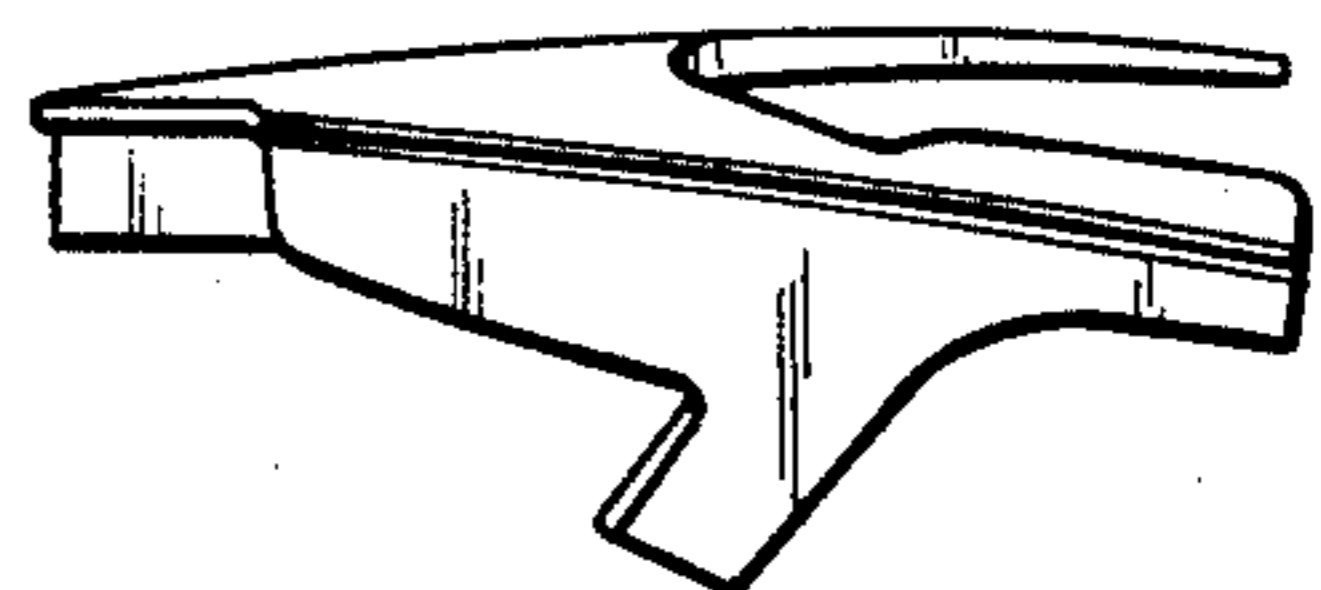
*Fig. 2*



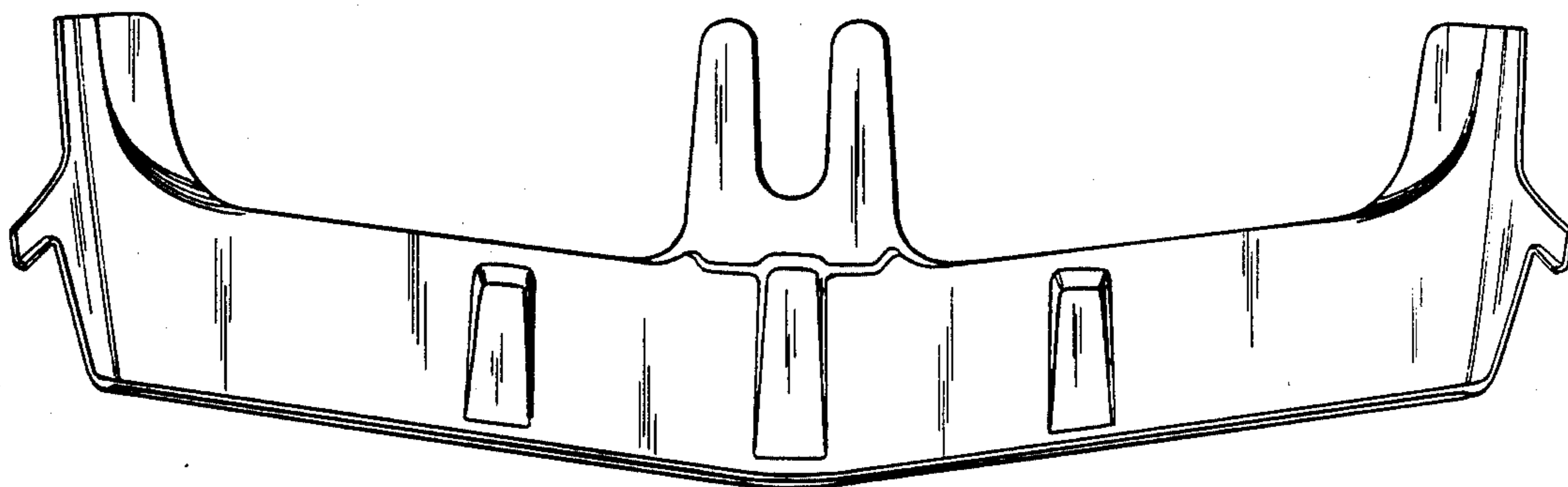
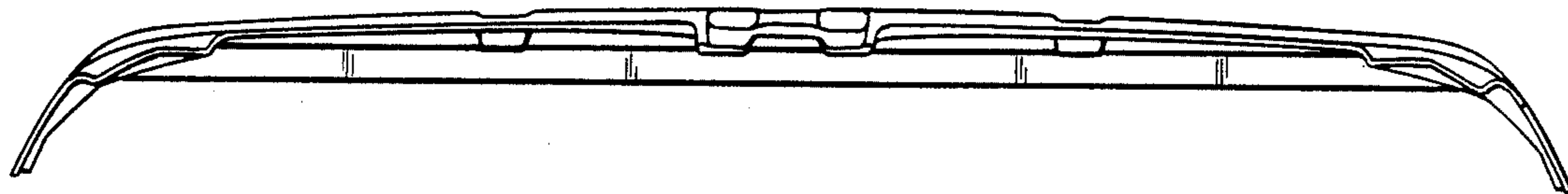
*Fig. 3*



*Fig. 5*



*Fig. 6*



*Fig. 7*