

United States Patent [19]

Dommerud

[11] Patent Number: **Des. 301,021**

[45] Date of Patent: **** May 9, 1989**

[54] **COLLAPSIBLE STRETCHER**

[75] Inventor: **Svein A. Dommerud, Nesbru, Norway**

[73] Assignee: **A/S Apotekernes Faellesindkjøp, Oslo, Norway**

[**] Term: **14 Years**

[21] Appl. No.: **830,752**

[22] Filed: **May 6, 1986**

[30] **Foreign Application Priority Data**

Nov. 14, 1985 [NO] Norway 66768

[52] U.S. Cl. **D12/128**

[58] Field of Search **D12/128, 132, 133; 280/647; 5/82 R, 81 R, 81 C, 82 B, 82**

[56] **References Cited**

U.S. PATENT DOCUMENTS

2,276,256 3/1942 Visness et al. 5/82

3,886,606 6/1975 Bradford 5/82
4,670,921 6/1987 Avni et al. 5/82 R

FOREIGN PATENT DOCUMENTS

1208080 2/1960 France 5/82
534934 3/1941 United Kingdom 5/82

Primary Examiner—Wallace R. Burke

Assistant Examiner—Kay H. Chin

Attorney, Agent, or Firm—Abelman Frayne Rezac & Schwab

[57] **CLAIM**

The ornamental design for a collapsible stretcher, as shown and described.

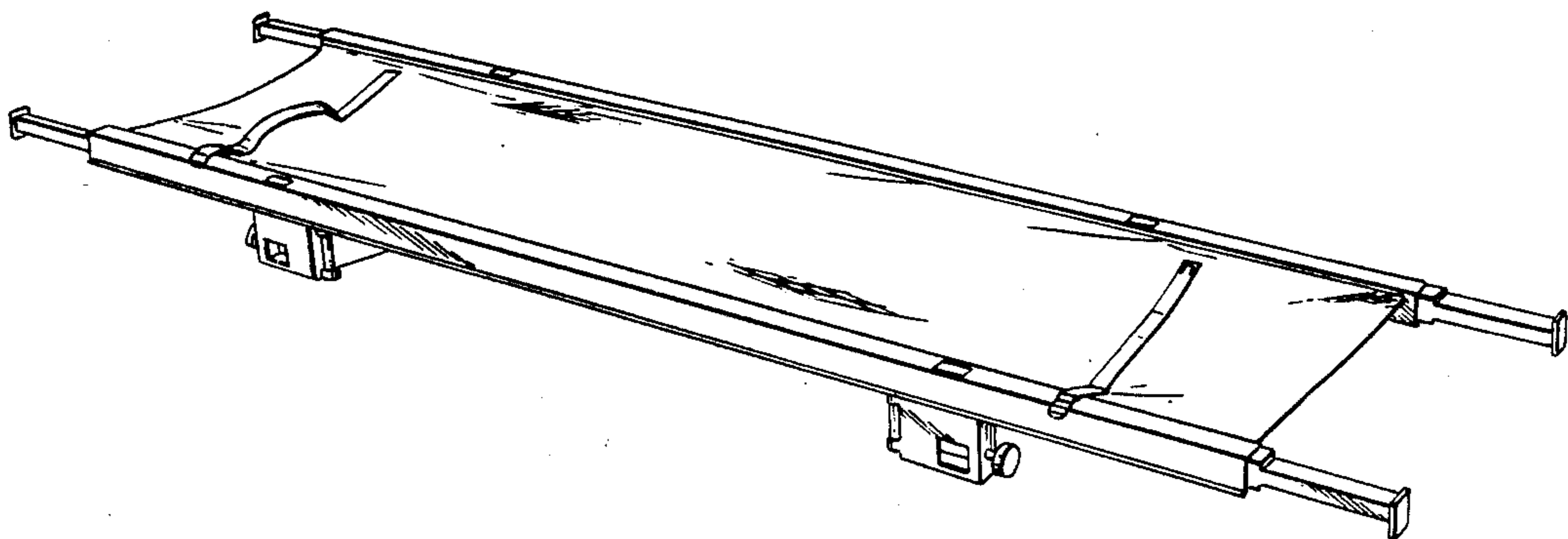
DESCRIPTION

FIG. 1 is a top perspective view of a collapsible stretcher showing my new design;

FIG. 2 is a bottom perspective view thereof;

FIG. 3 is a top perspective view thereof showing the stretcher in collapsed condition; and

FIG. 4 is a bottom perspective view of FIG. 3.



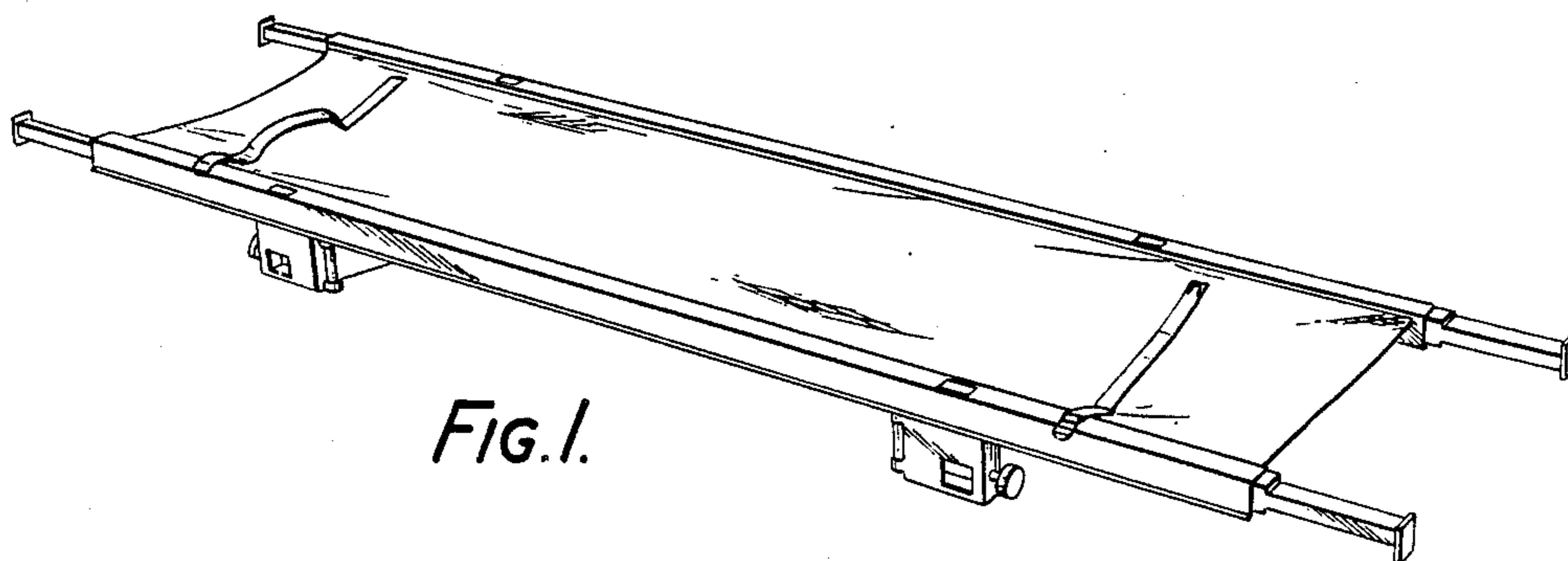


FIG. 1.

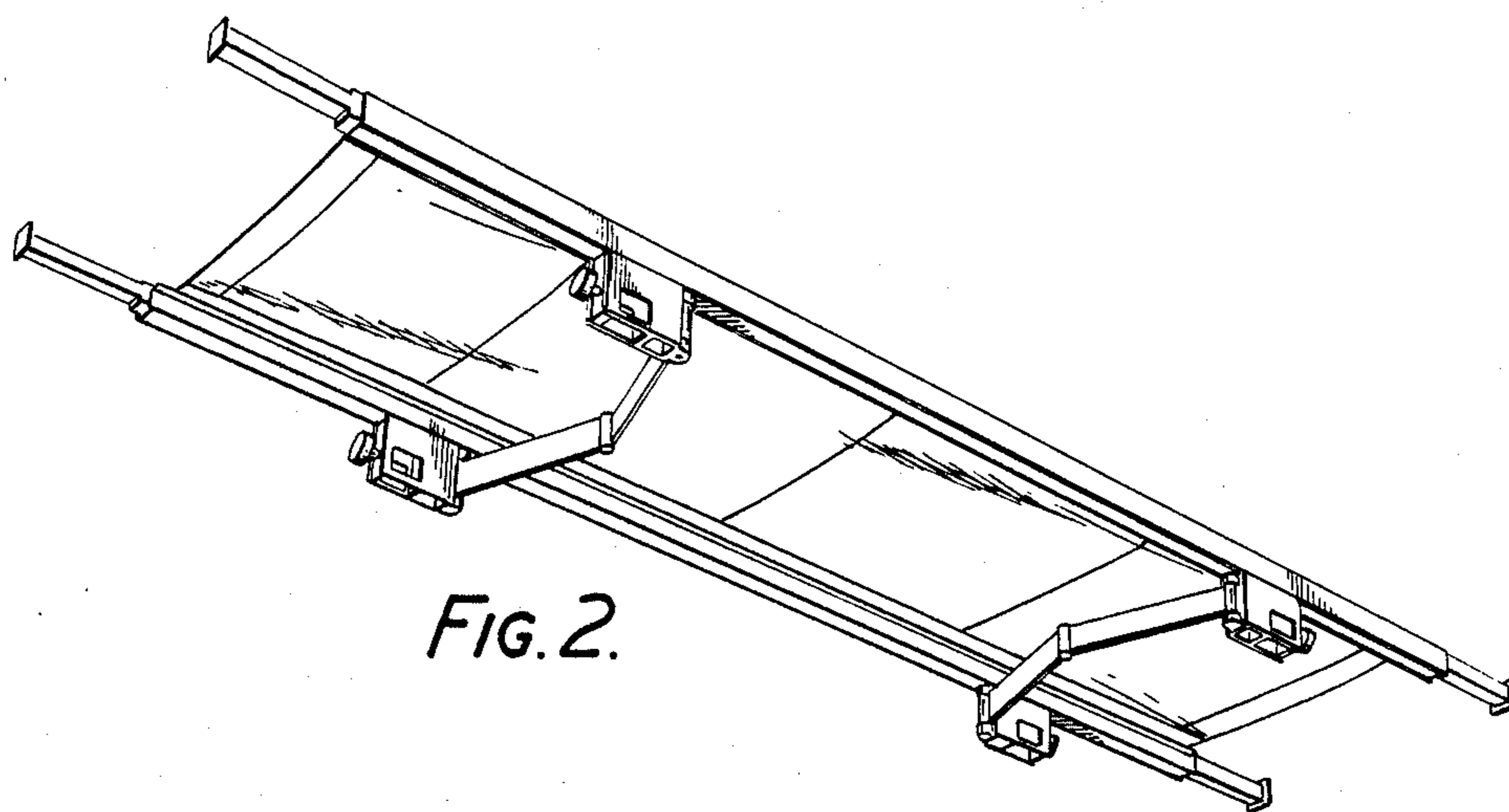


FIG. 2.

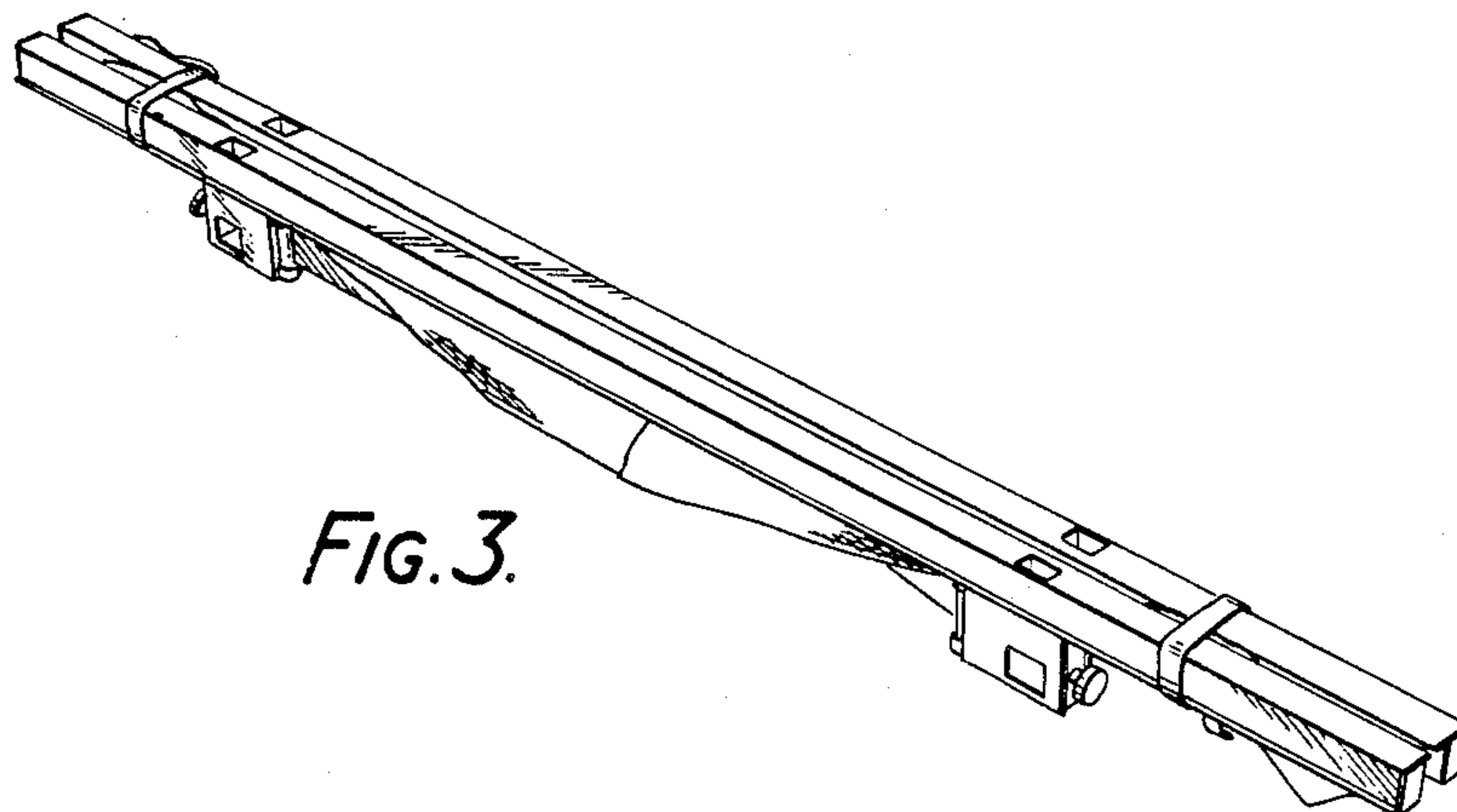


FIG. 3.

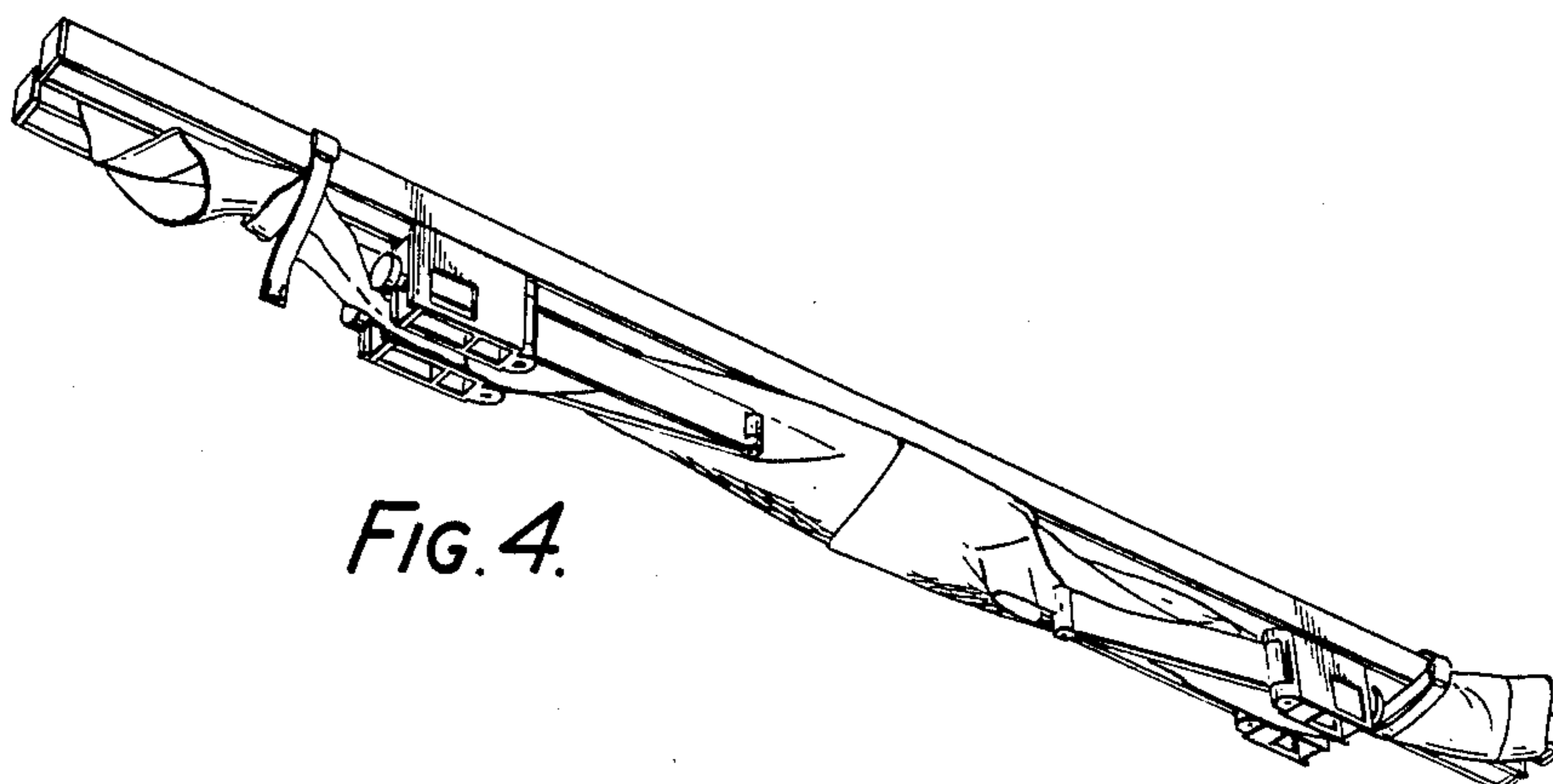


FIG. 4.