

[54] **BRAKING DEVICE FOR SLEDGES**

[75] **Inventor: Erland Wikner, Tranas, Sweden**

[73] **Assignee: Stiga AB, Tranas, Sweden**

[**] **Term: 14 Years**

[21] **Appl. No.: 898,547**

[22] **Filed: Aug. 21, 1986**

[30] **Foreign Application Priority Data**

Feb. 24, 1986 [SE] Sweden 86-0455

[52] **U.S. Cl. D12/6**

[58] **Field of Search D12/6, 180, 317;
280/12 AB, 12 AA, 604**

[56] **References Cited**

U.S. PATENT DOCUMENTS

4,311,215 1/1982 Becker et al. 280/12 AB

FOREIGN PATENT DOCUMENTS

117901 9/1984 European Pat. Off. 280/12 AA
2561604 9/1985 France 280/12 AB

Primary Examiner—Wallace R. Burke

Assistant Examiner—Kay H. Chin

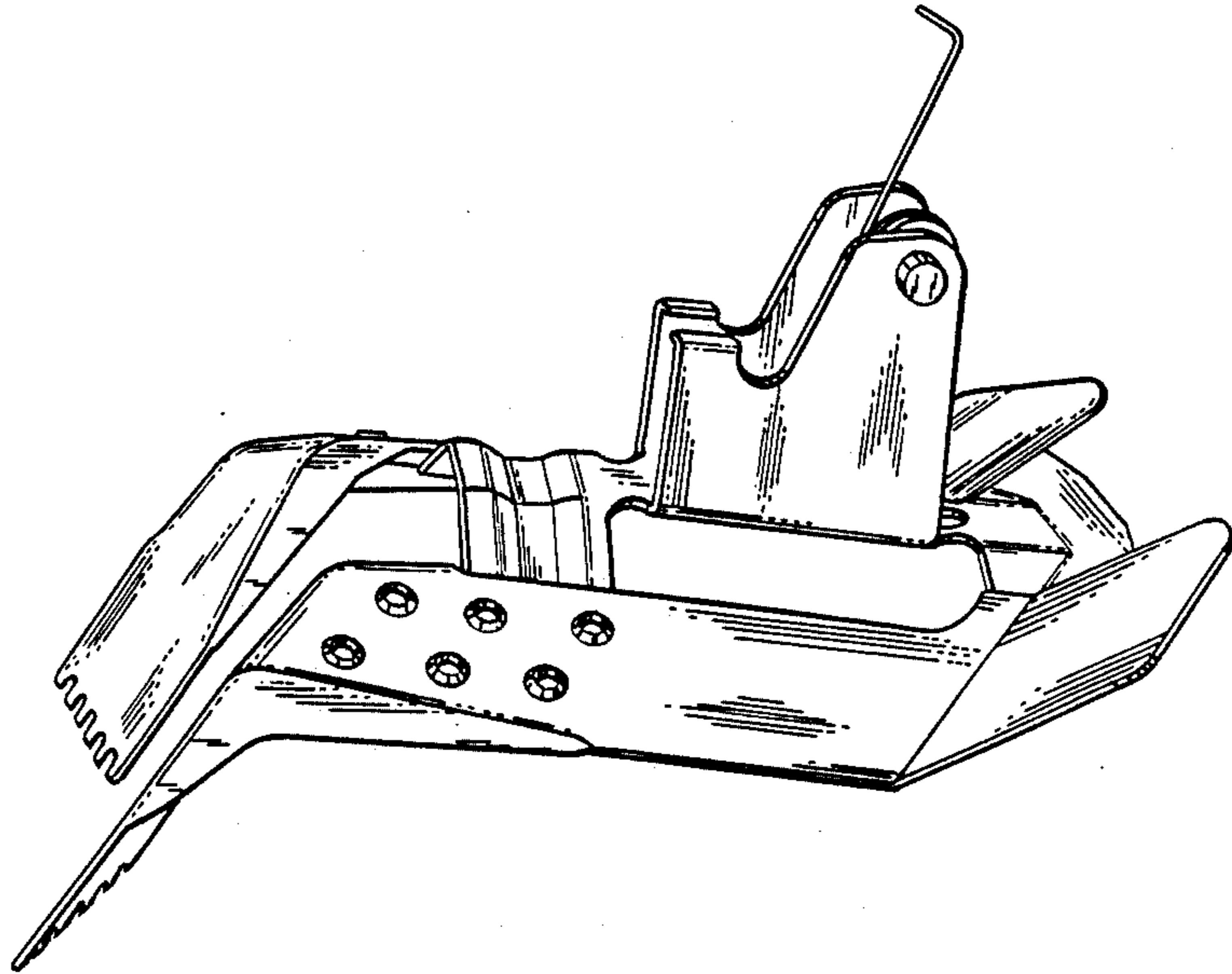
Attorney, Agent, or Firm—Beveridge, DeGrandi & Weilacher

[57] **CLAIM**

The ornamental design for a braking device for sledges, as shown and described.

DESCRIPTION

FIG. 1 is a front perspective view of a braking device for sledges showing my new design; FIG. 2 is a rear perspective view thereof; and FIG. 3 is a right side perspective view thereof, the left side perspective view being a mirror image of that shown.



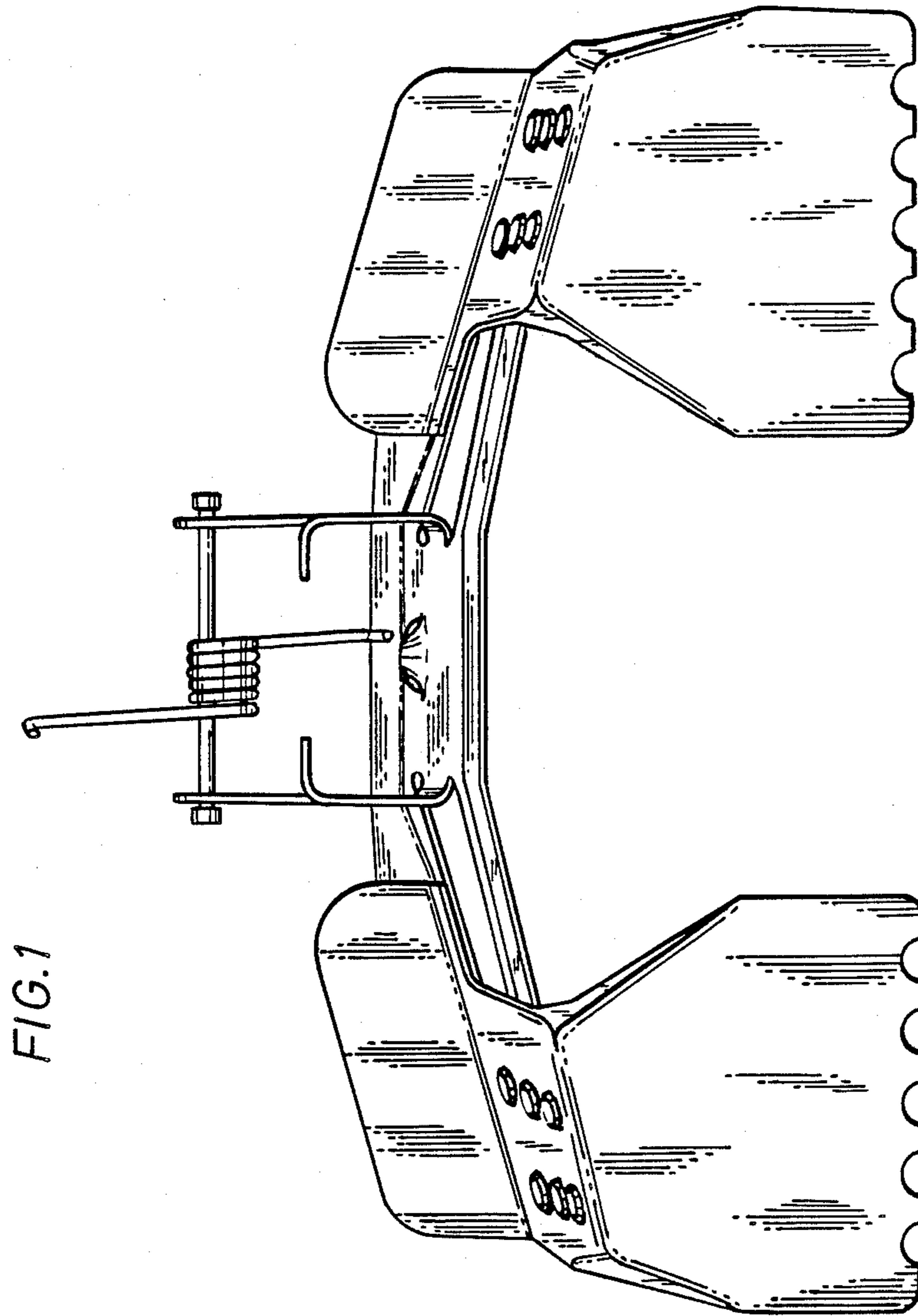
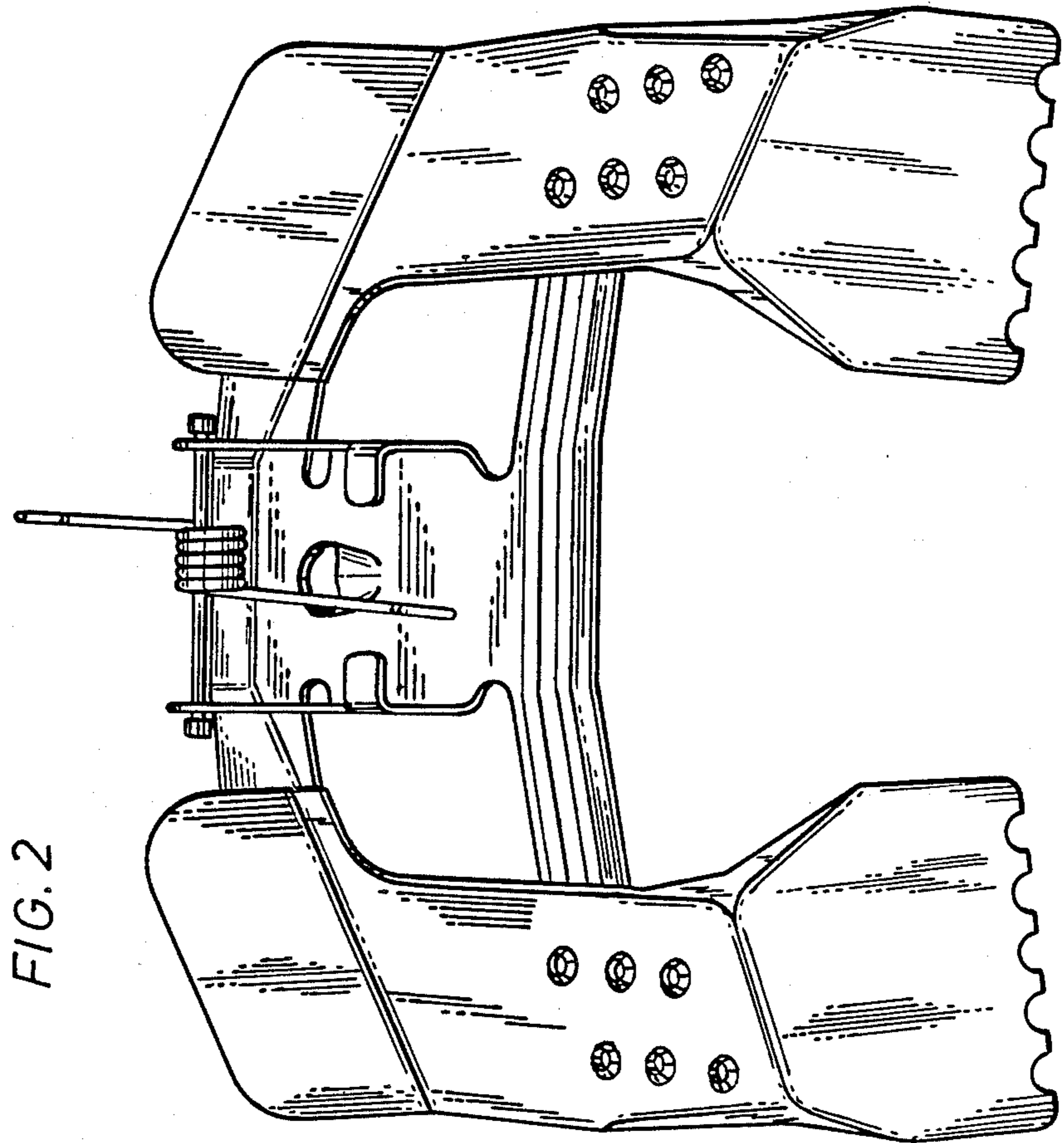


FIG. 1



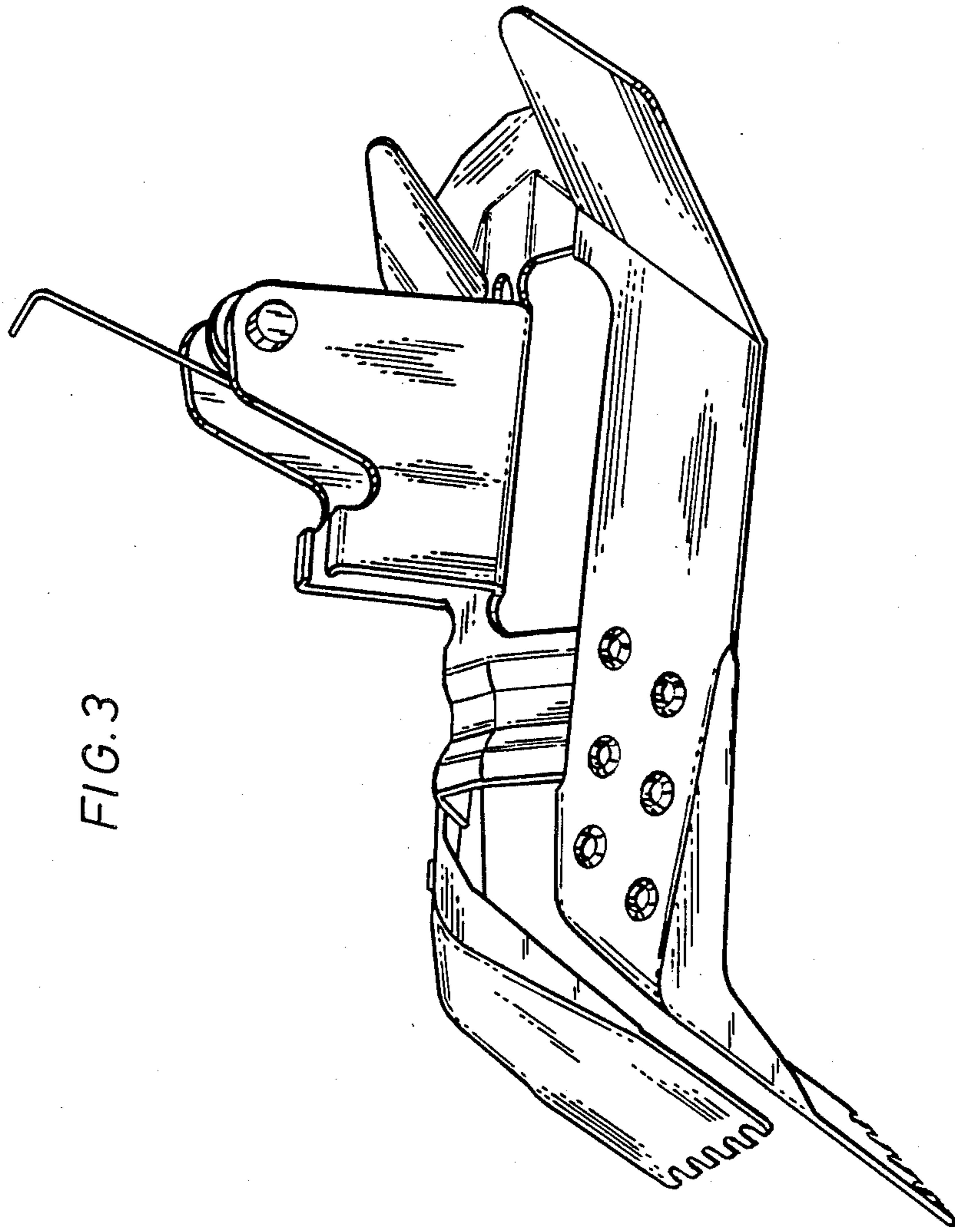


FIG. 3