

United States Patent [19]

Norman et al.

[11] Patent Number: **Des. 301,017**

[45] Date of Patent: **** May 9, 1989**

[54] **ORIENTEERING COMPASS**

[75] Inventors: Bertil Norman, Hedemora; Arne Yngström, Örebro, both of Sweden

[73] Assignee: Instrumentverken AB, Sollentuna, Sweden

[**] Term: 14 Years

[21] Appl. No.: 866,684

[22] Filed: May 23, 1986

[30] Foreign Application Priority Data

Dec. 6, 1985 [SE] Sweden 85-3000

[52] U.S. Cl. D10/68; D11/78.1; 33/347

[58] Field of Search D10/68; D19/65, 86; D8/395; D11/78.1, 215; 33/355 R, 347; 24/543, 545, 546, 547; 224/252-253, 277

[56] References Cited

U.S. PATENT DOCUMENTS

D. 131,492	3/1942	Lee	D11/78.1
D. 142,357	9/1945	Younghusband	D11/78.1
D. 295,501	5/1988	Brayford .	
1,857,488	5/1932	Weeks	D19/65 X
4,404,752	9/1983	Hanna	33/355 R X
4,705,408	11/1987	Jordi	224/903 X

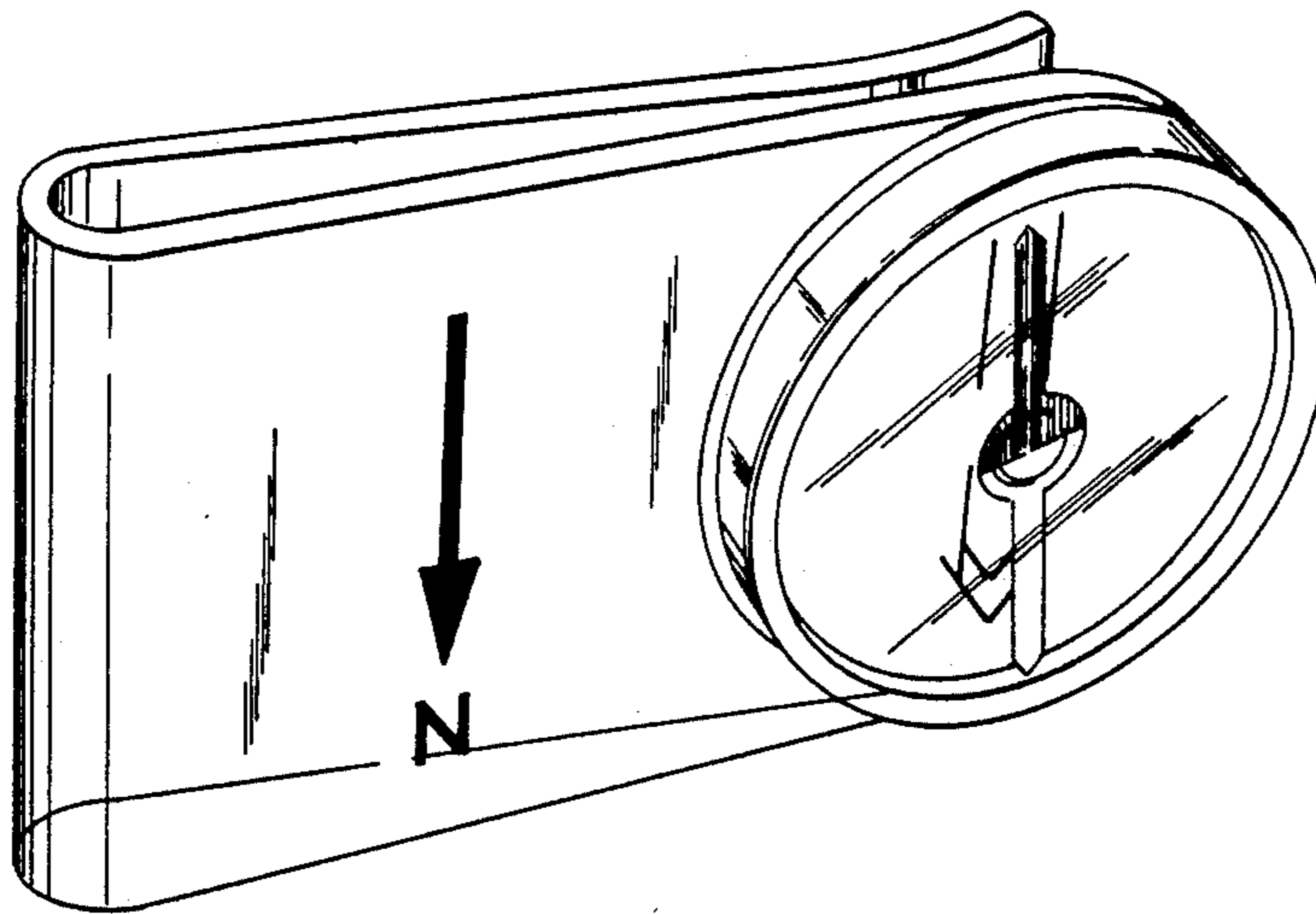
Primary Examiner—Nelson C. Holtje
Attorney, Agent, or Firm—Oblon, Fisher, Spivak, McClelland & Maier

[57] CLAIM

The ornamental design for an orienteering compass, as shown.

DESCRIPTION

FIG. 1 is a rear perspective view of an orienteering compass showing our new design; and FIG. 2 is a front perspective view thereof.



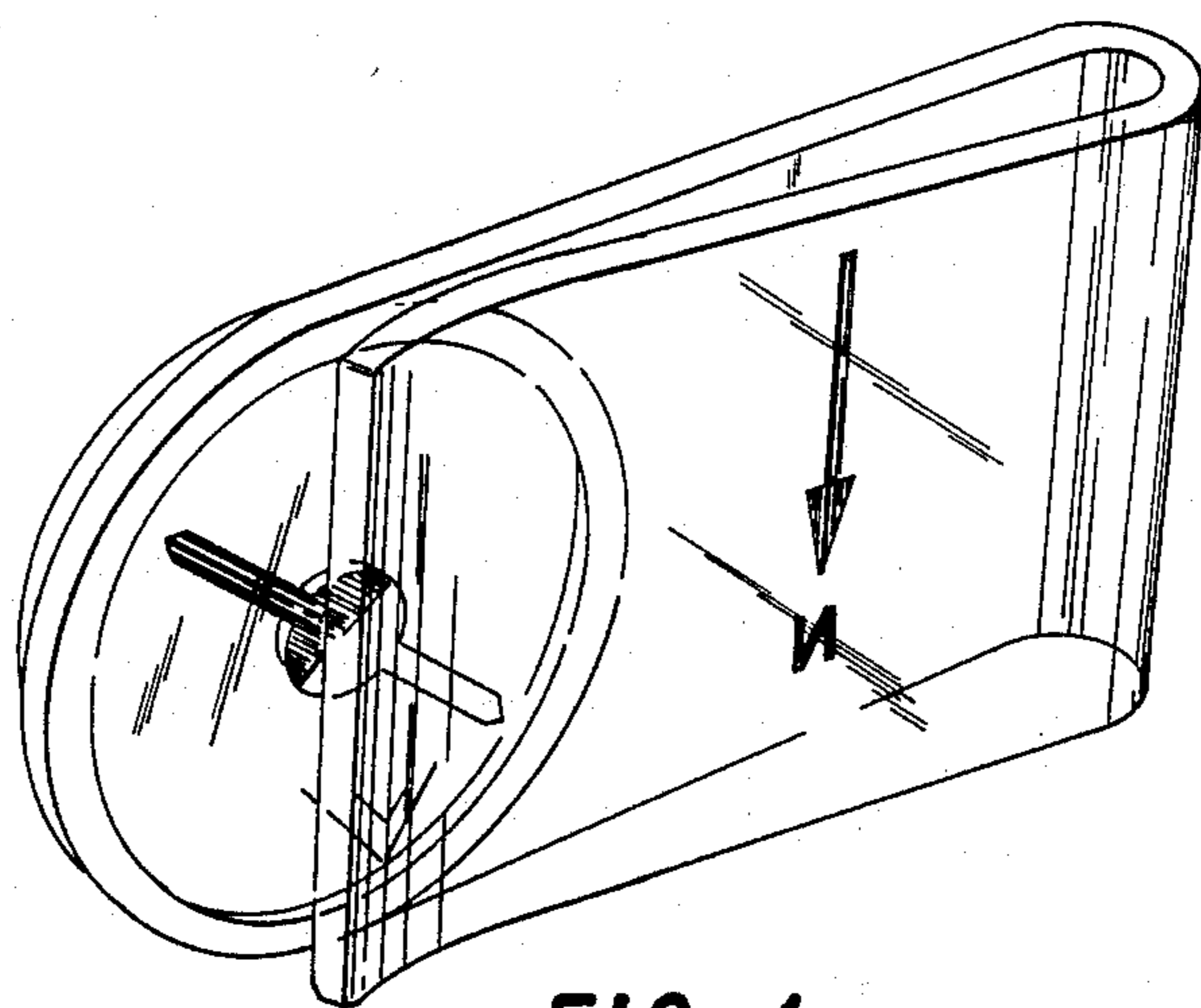


FIG. 1

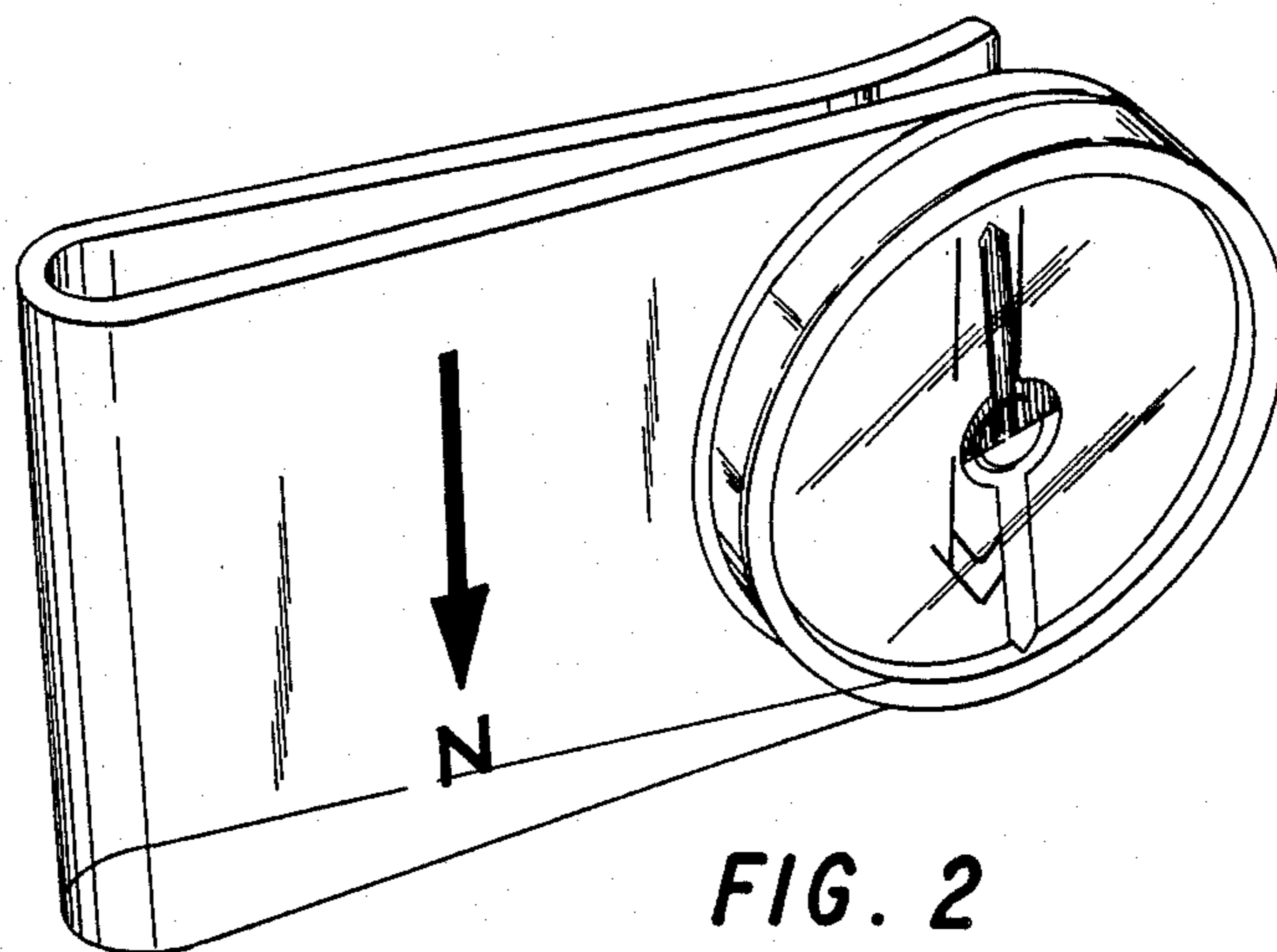


FIG. 2