

United States Patent [19]

Laski

[11] Patent Number: **Des. 301,007**

[45] Date of Patent: **** May 9, 1989**

[54] **BOTTLE HOLDER INSERT FOR AN ICE BUCKET OR THE LIKE**

[76] Inventor: **James M. Laski, 5543 Chauveau Dr., St. Louis, Mo. 63129**

[**] Term: **14 Years**

[21] Appl. No.: **847,861**

[22] Filed: **Apr. 4, 1986**

[52] U.S. Cl. **D7/387; D7/378**

[58] Field of Search **D7/70, 47, 78, 6, 39, D7/213, 387; 62/457, 460, 372, 530**

[56] **References Cited**

U.S. PATENT DOCUMENTS

D. 163,460 5/1951 Kedzie D7/70
2,364,537 12/1944 Kerth D7/70 X
3,248,016 4/1966 Dahl et al. D7/47 X
3,279,638 10/1966 Merry D7/70 X

4,037,428 7/1977 Giannotti 62/457

FOREIGN PATENT DOCUMENTS

448785 8/1927 Fed. Rep. of Germany 62/457

Primary Examiner—Winifred E. Herrmann
Attorney, Agent, or Firm—Kalish & Gilster

[57] **CLAIM**

The ornamental design for a bottle holder insert for an ice bucket or the like, as shown and described.

DESCRIPTION

FIG. 1 is a front elevational view of a bottle holder insert for an ice bucket or the like showing my new design;

FIG. 2 is a left side elevation view thereof, the right side view being substantially a mirror image thereof.

FIG. 3 is a rear elevation view thereof.

FIG. 4 is a top plan view thereof.

FIG. 5 is a bottom plan view thereof.

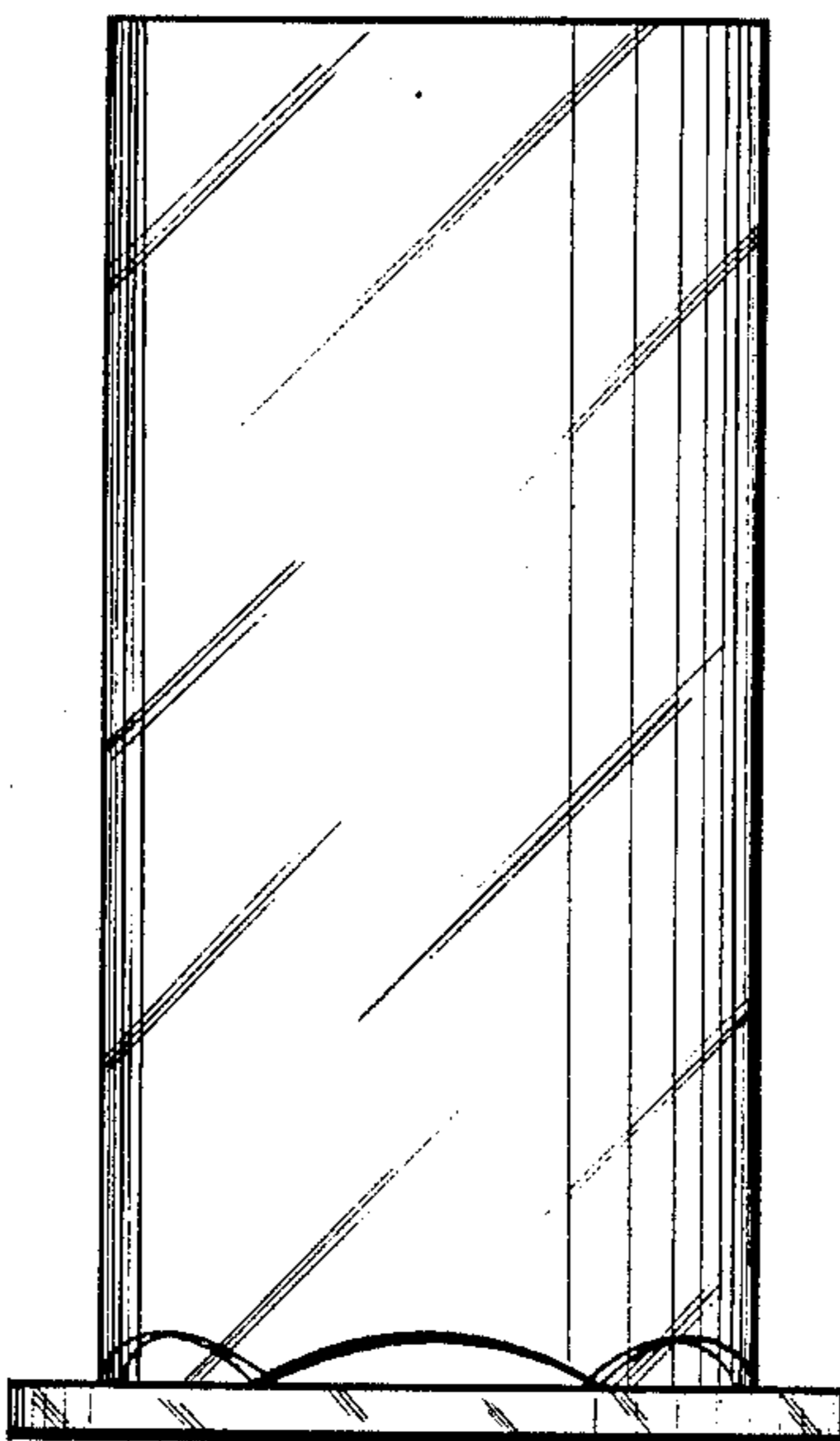


FIG. 1

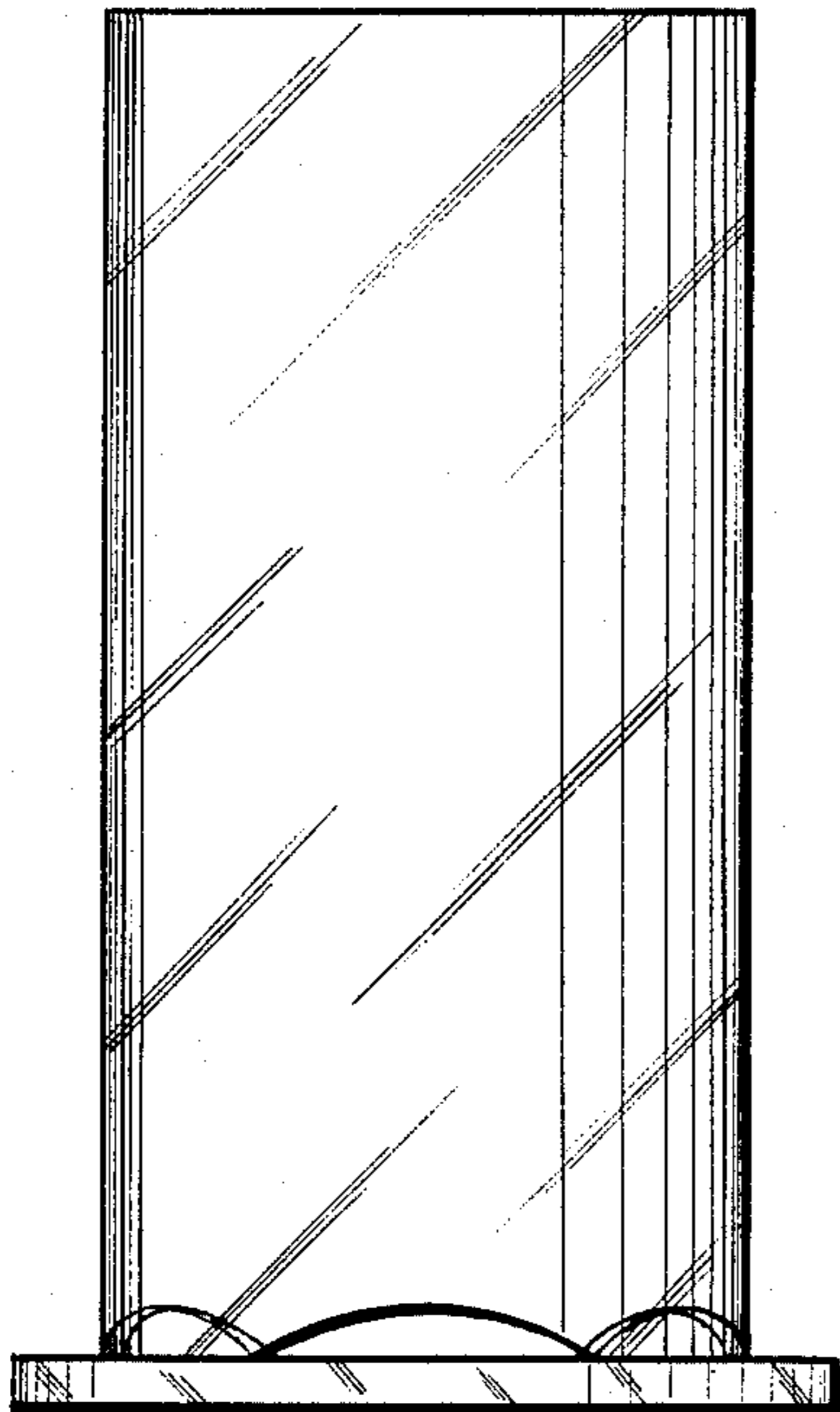


FIG. 2

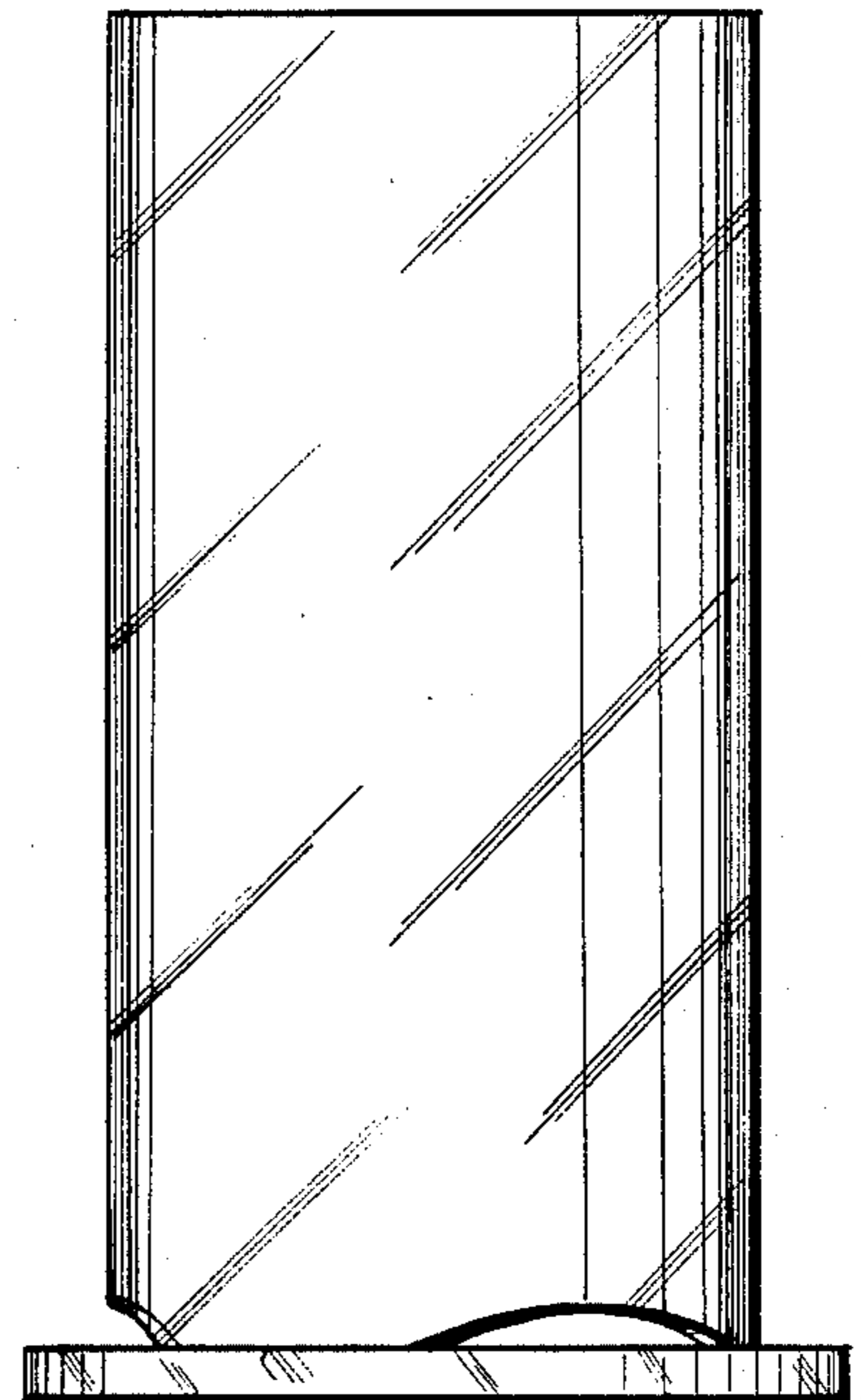


FIG. 3

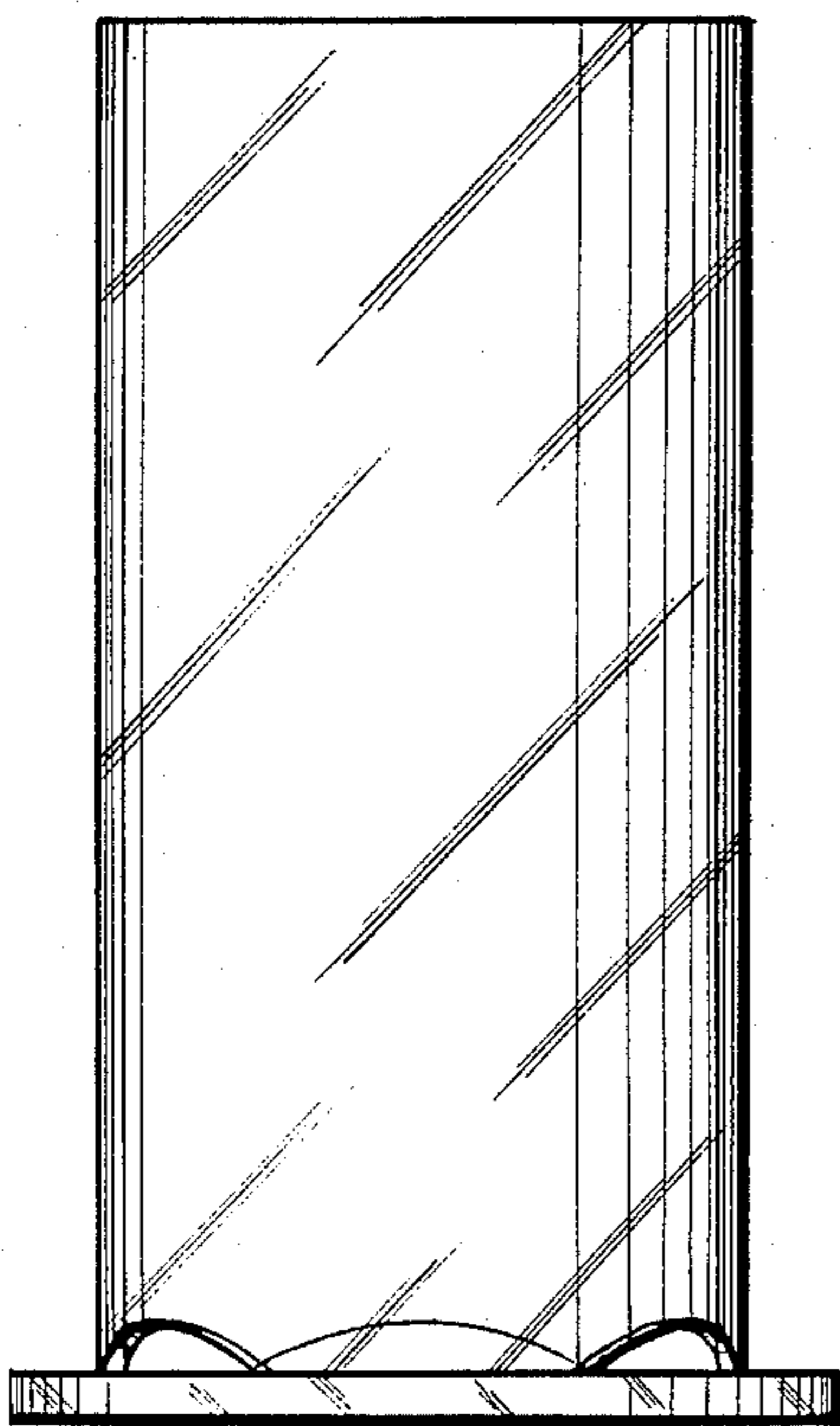


FIG. 4

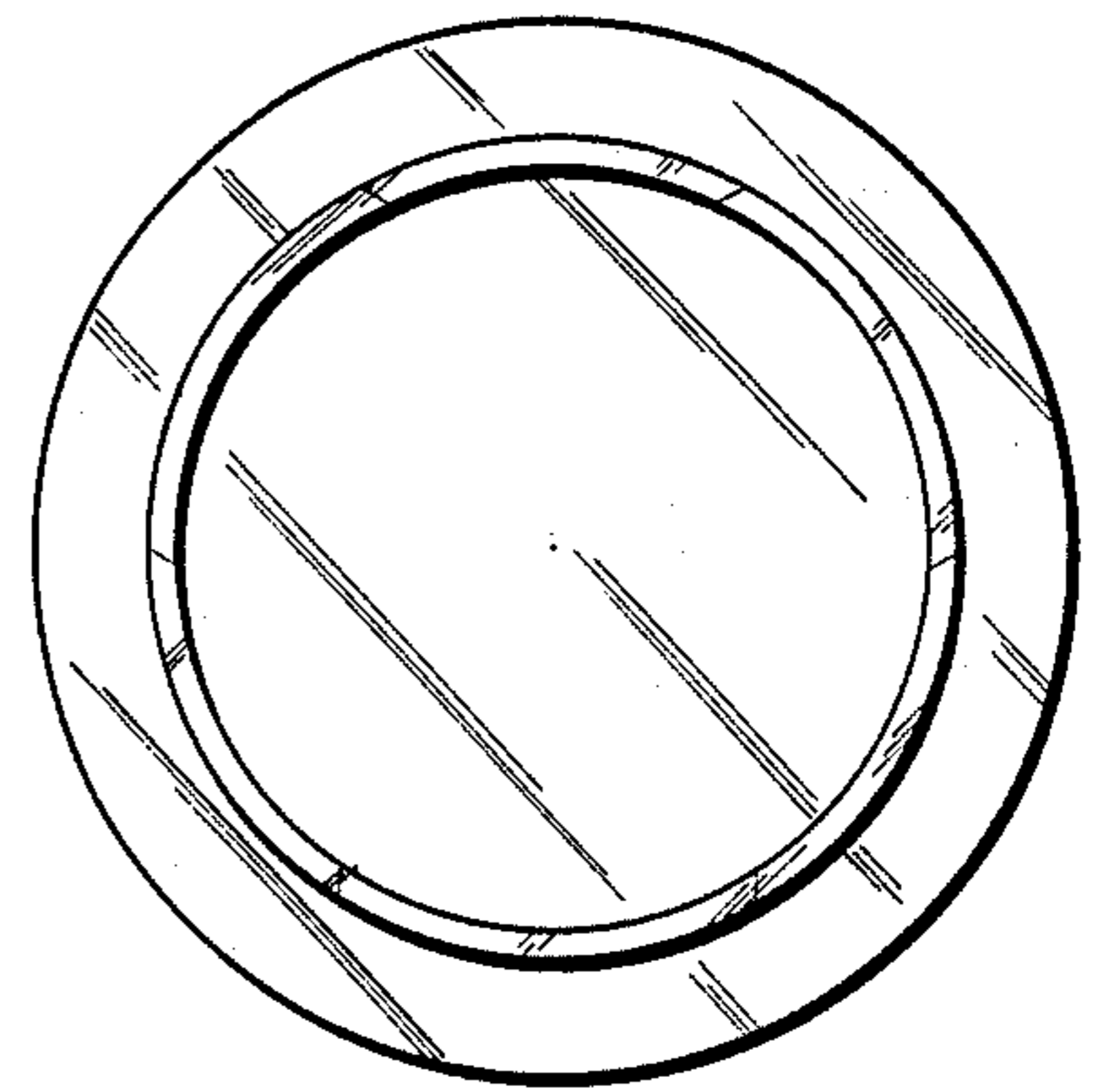


FIG. 5

