

[54] COTTON CANDY VENDING MACHINE

[76] Inventor: Dale E. Waters, 1661 Oahu Pl., Costa Mesa, Calif. 92626

[**] Term: 14 Years

[21] Appl. No.: 655,151

[22] Filed: Sep. 27, 1984

[52] U.S. Cl. D7/331; D21/150

[58] Field of Search D7/368, 331, 323, 330, D7/339, 368; 425/9; D20/1, 3-4; D1/127; D21/150

[56] References Cited

U.S. PATENT DOCUMENTS

D. 171,959 4/1954 Walling D21/150

D. 258,900 4/1981 Lanusse D21/150
D. 279,305 6/1985 Murakami D21/150
3,203,365 8/1965 Bowe et al. 425/9

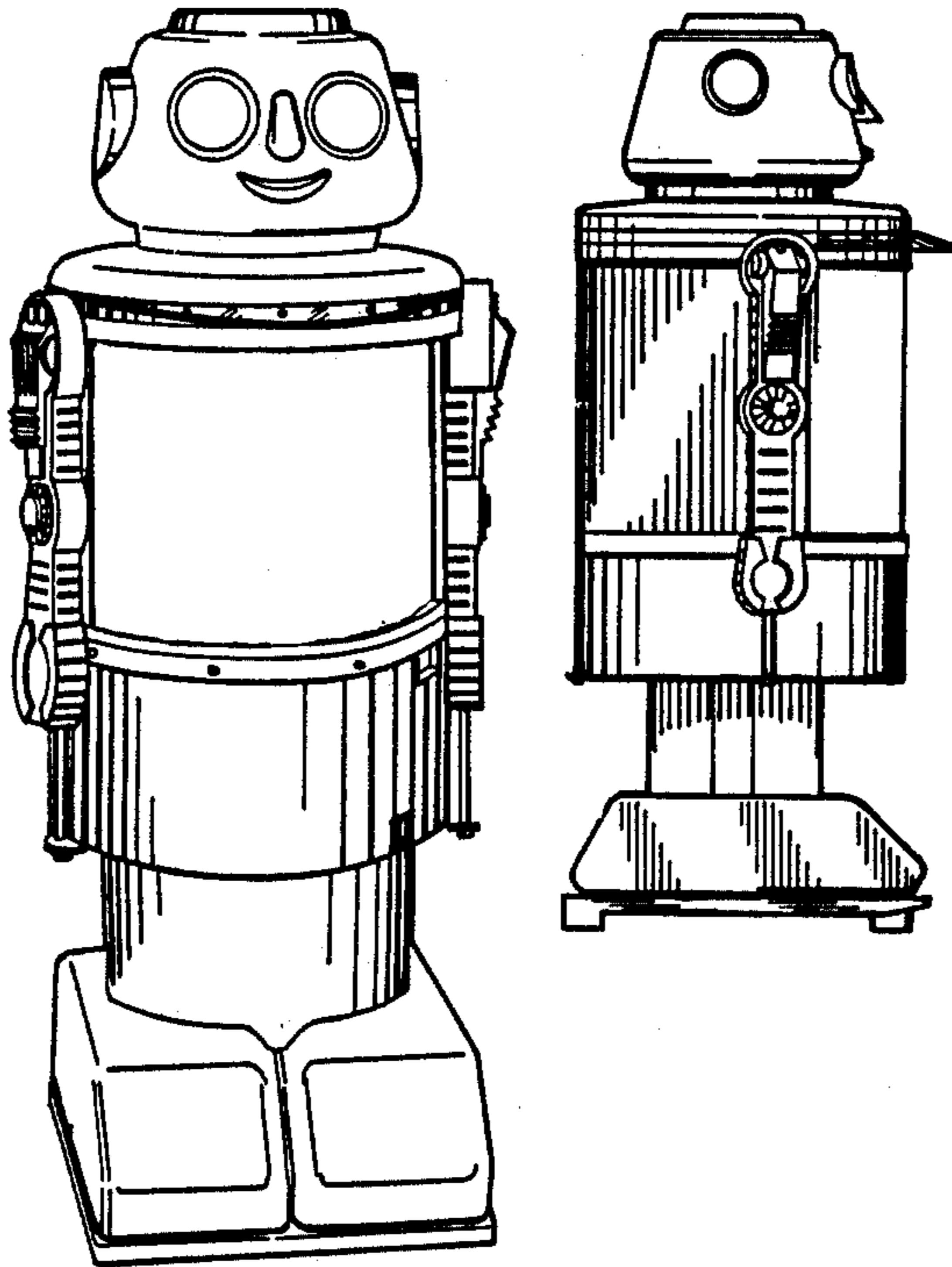
Primary Examiner—Wallace R. Burke
Assistant Examiner—Ruth Takemoto
Attorney, Agent, or Firm—Plante Strauss Vanderburgh

[57] CLAIM

The ornamental design for a cotton candy vending machine, substantially as shown.

DESCRIPTION

FIG. 1 is a front perspective view of a cotton candy vending machine showing my new design; FIG. 2 is a side elevational view thereof; FIG. 3 is a top plan view thereof; FIG. 4 is a rear elevational view thereof; and FIG. 5 is a bottom plan view thereof.



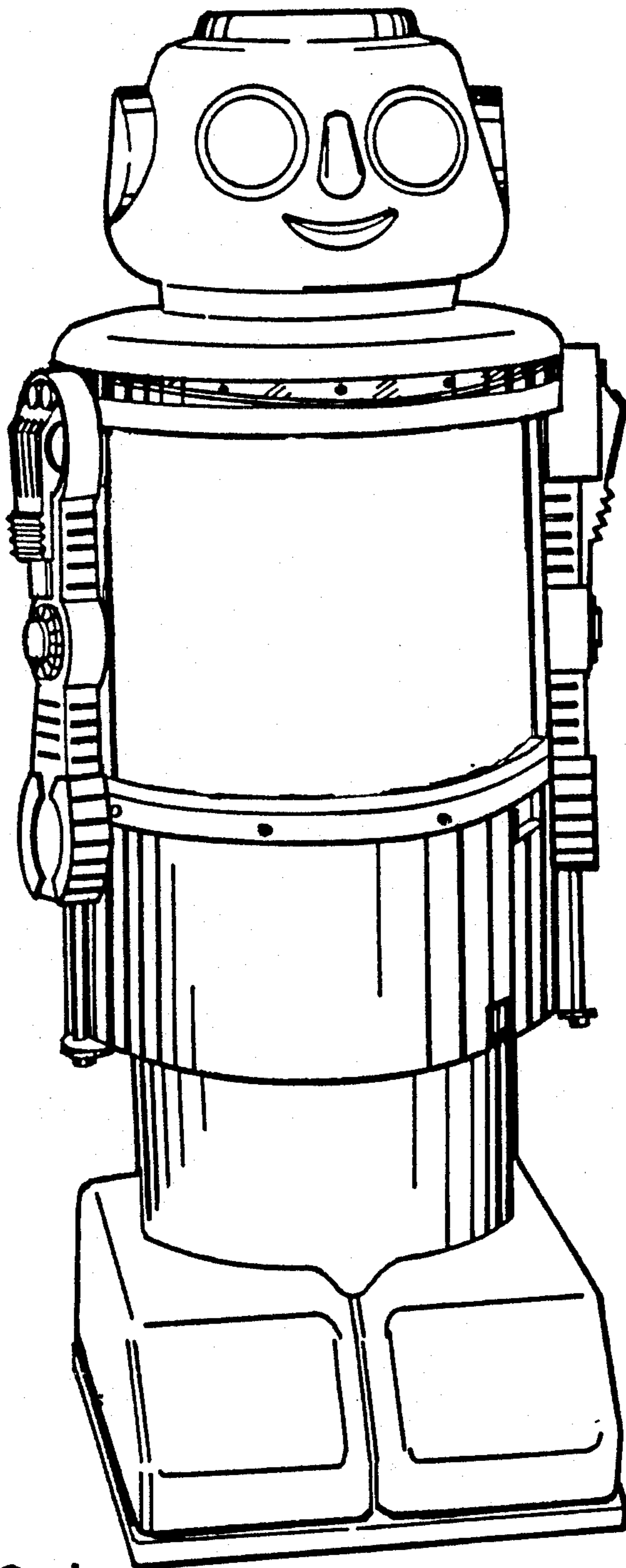


FIG. 1

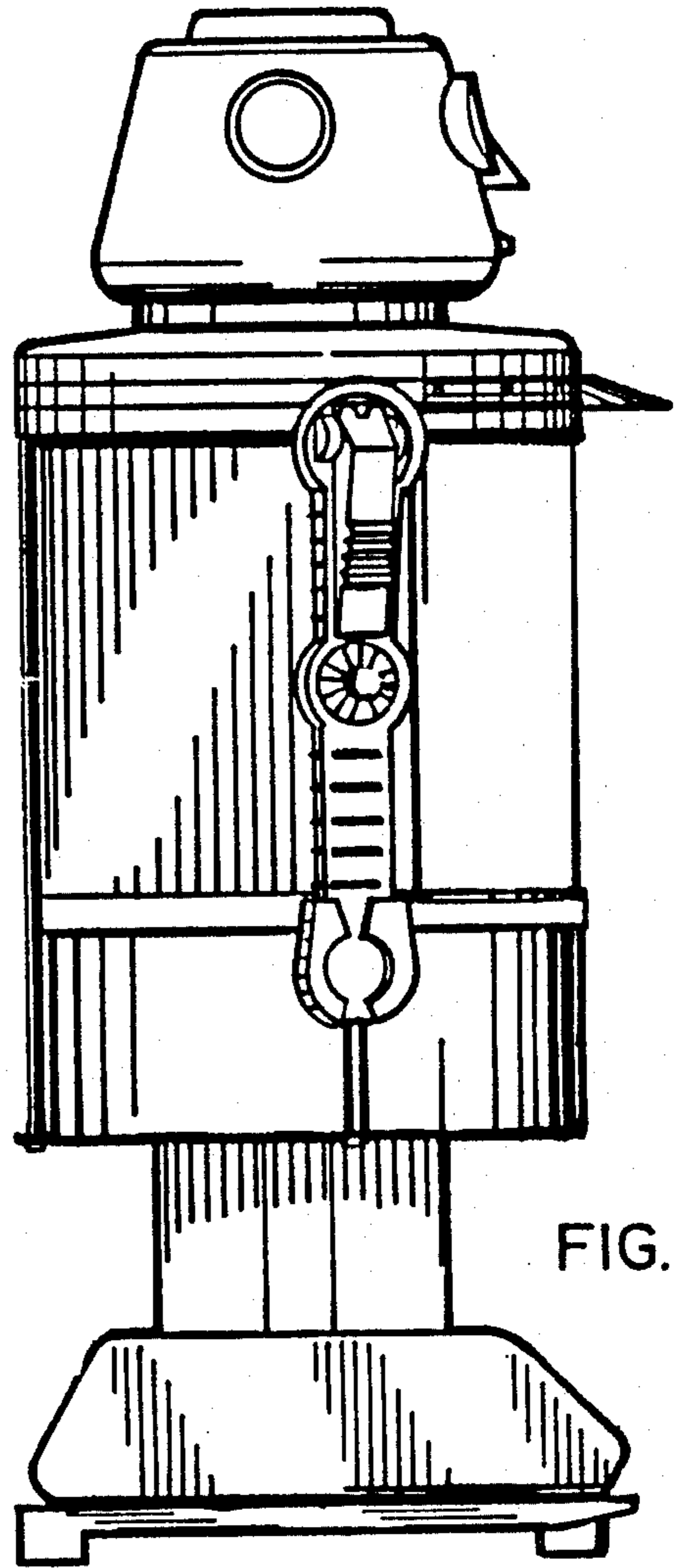


FIG. 2

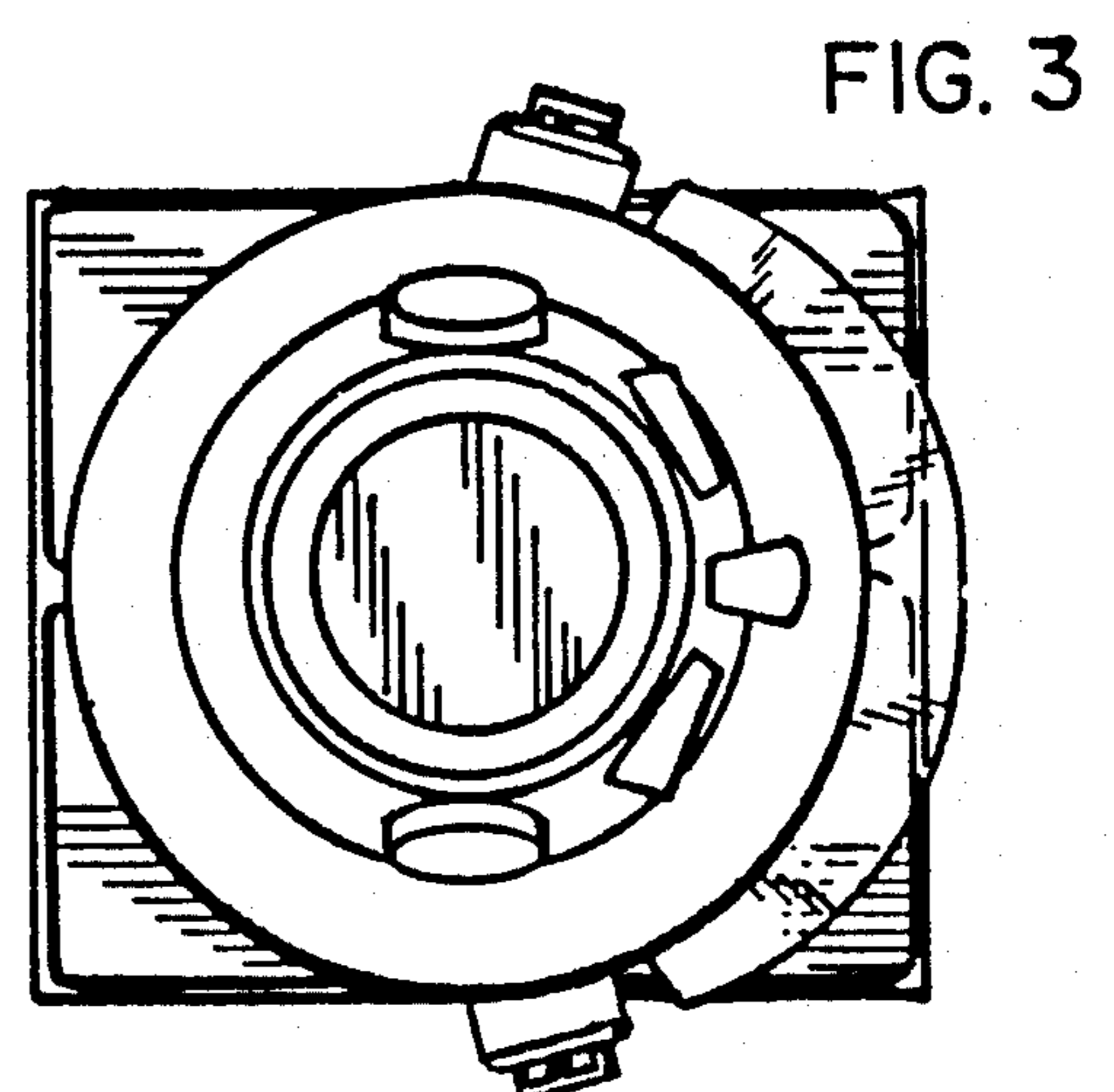


FIG. 3

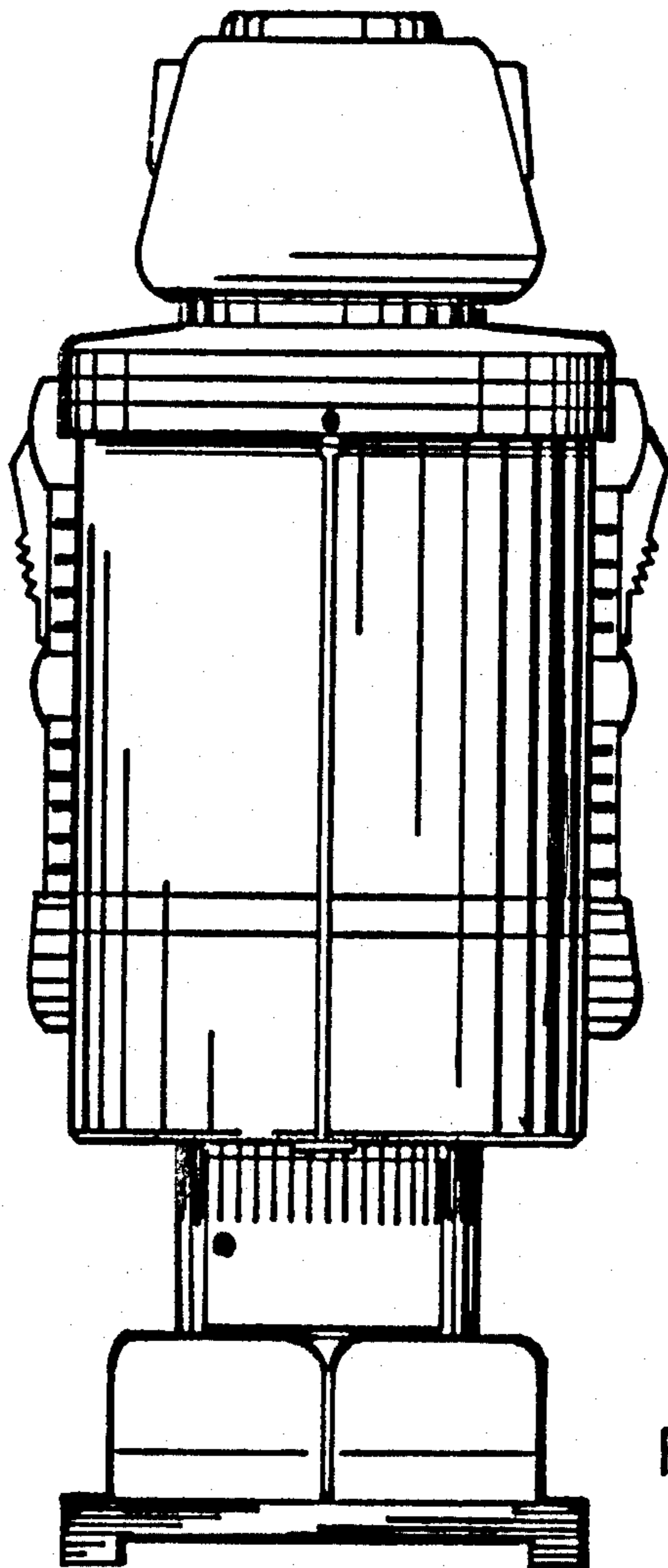


FIG. 4

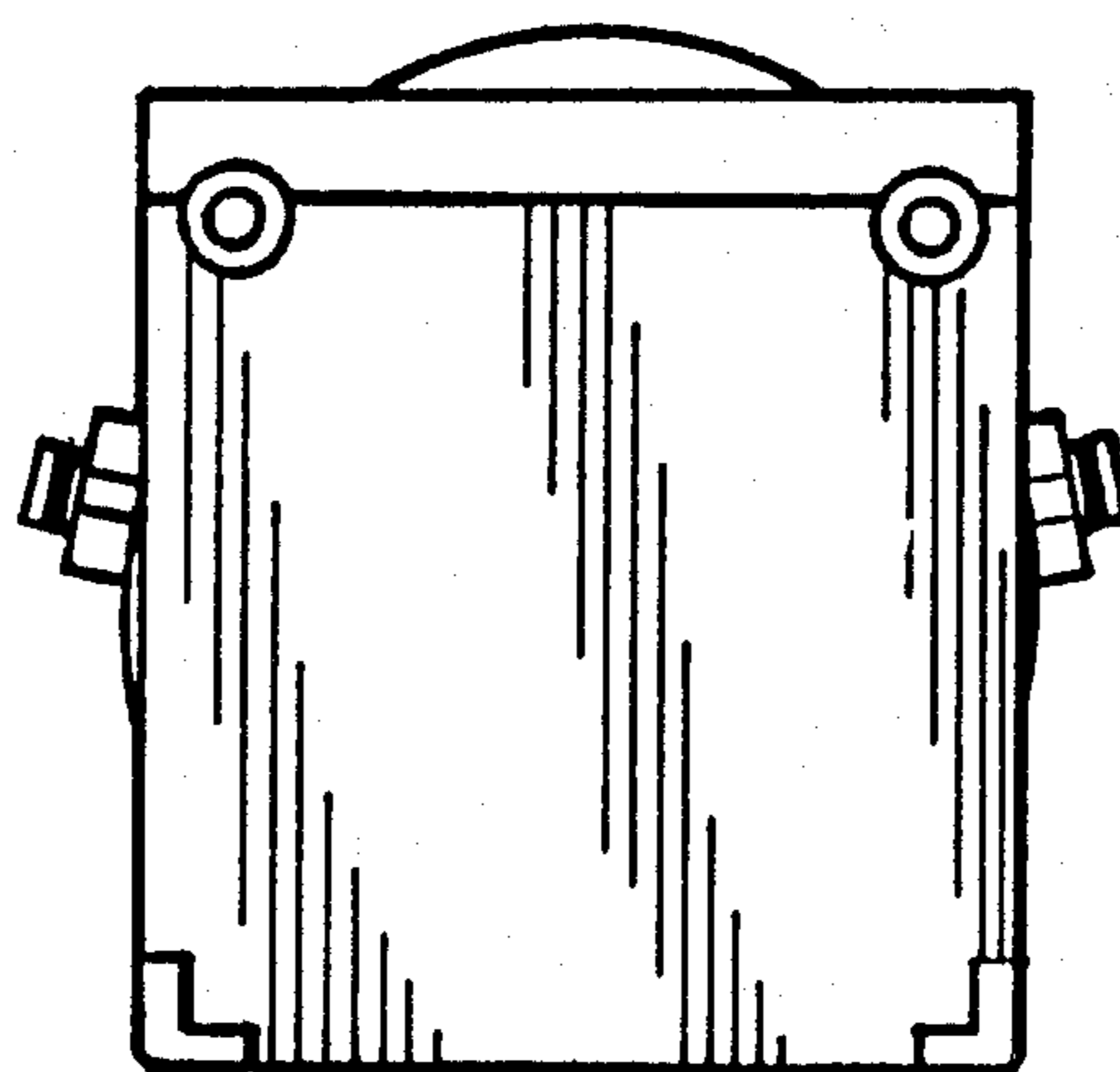


FIG. 5