

[54] **COOKERY IMPLEMENT OR SIMILAR ARTICLE**

[75] **Inventor: John B. Somerset, Armadale, Australia**

[73] **Assignee: McPherson Limited, Melbourne, Australia**

[**] **Term: 14 Years**

[21] **Appl. No.: 823,062**

[22] **Filed: Jan. 27, 1986**

[30] **Foreign Application Priority Data**

Jul. 26, 1985 [AU] Australia 1982/85
[52] **U.S. Cl. D7/102**
[58] **Field of Search D7/102, 99; 294/7, 8**

[56] **References Cited**

U.S. PATENT DOCUMENTS

2,234,242 3/1941 Gilbert D7/102 X
3,789,450 2/1974 Mozdenski et al. 15/236 R X

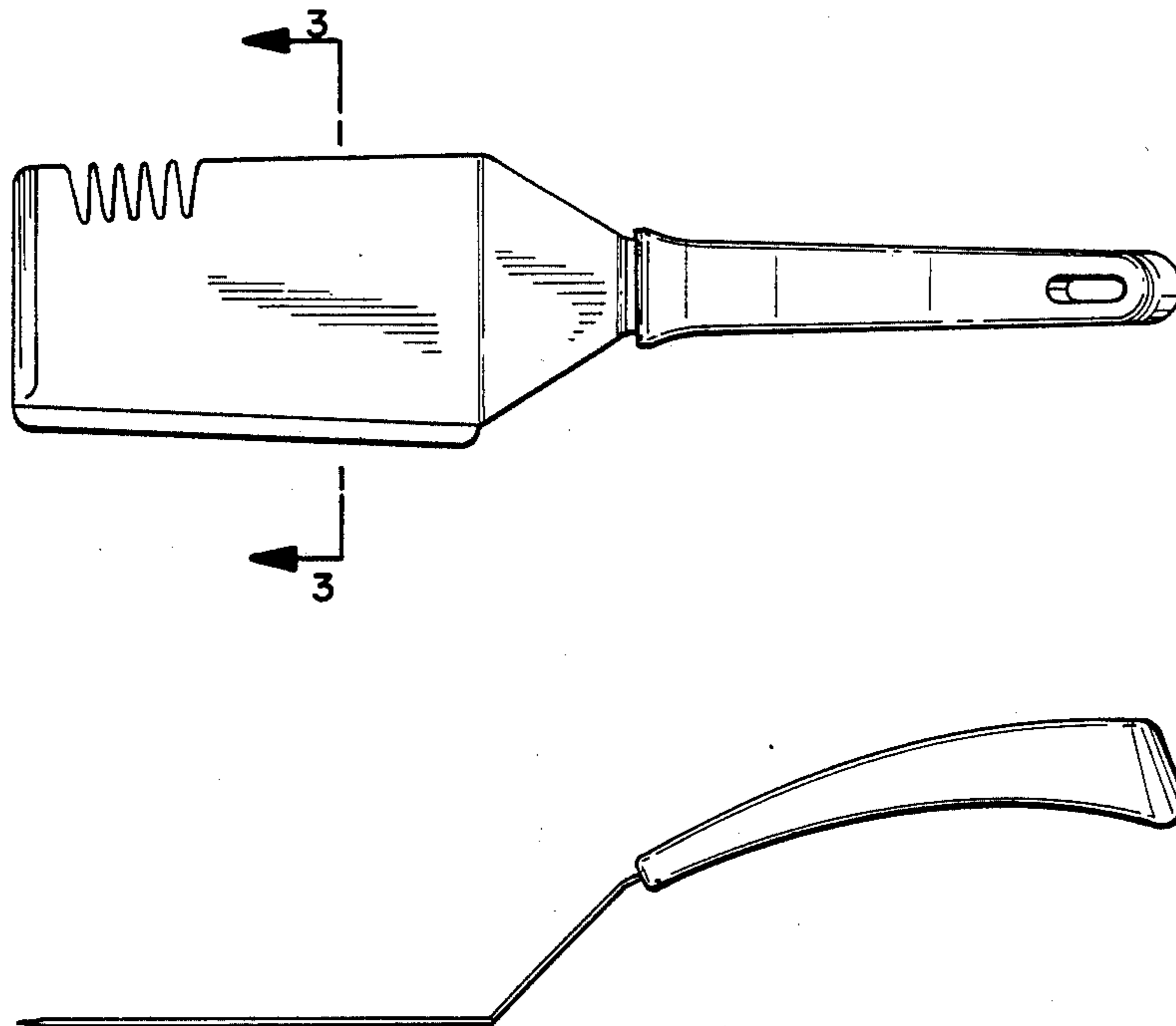
Primary Examiner—Bernard Ansher
Assistant Examiner—Terry A. Pfeffer
Attorney, Agent, or Firm—Berman, Aisenberg & Platt

[57] **CLAIM**

The ornamental design for a cookery implement or similar article, as shown and described.

DESCRIPTION

FIG. 1 is a top plan view of a cookery implement or similar article showing my new design;
FIG. 2 is a left elevation view thereof;
FIG. 3 is a cross-section view thereof taken along line 3—3 of FIG. 1;
FIG. 4 is a left front perspective view thereof;
FIG. 5 is a bottom plan view thereof and;
FIG. 6 is a right elevation view thereof.



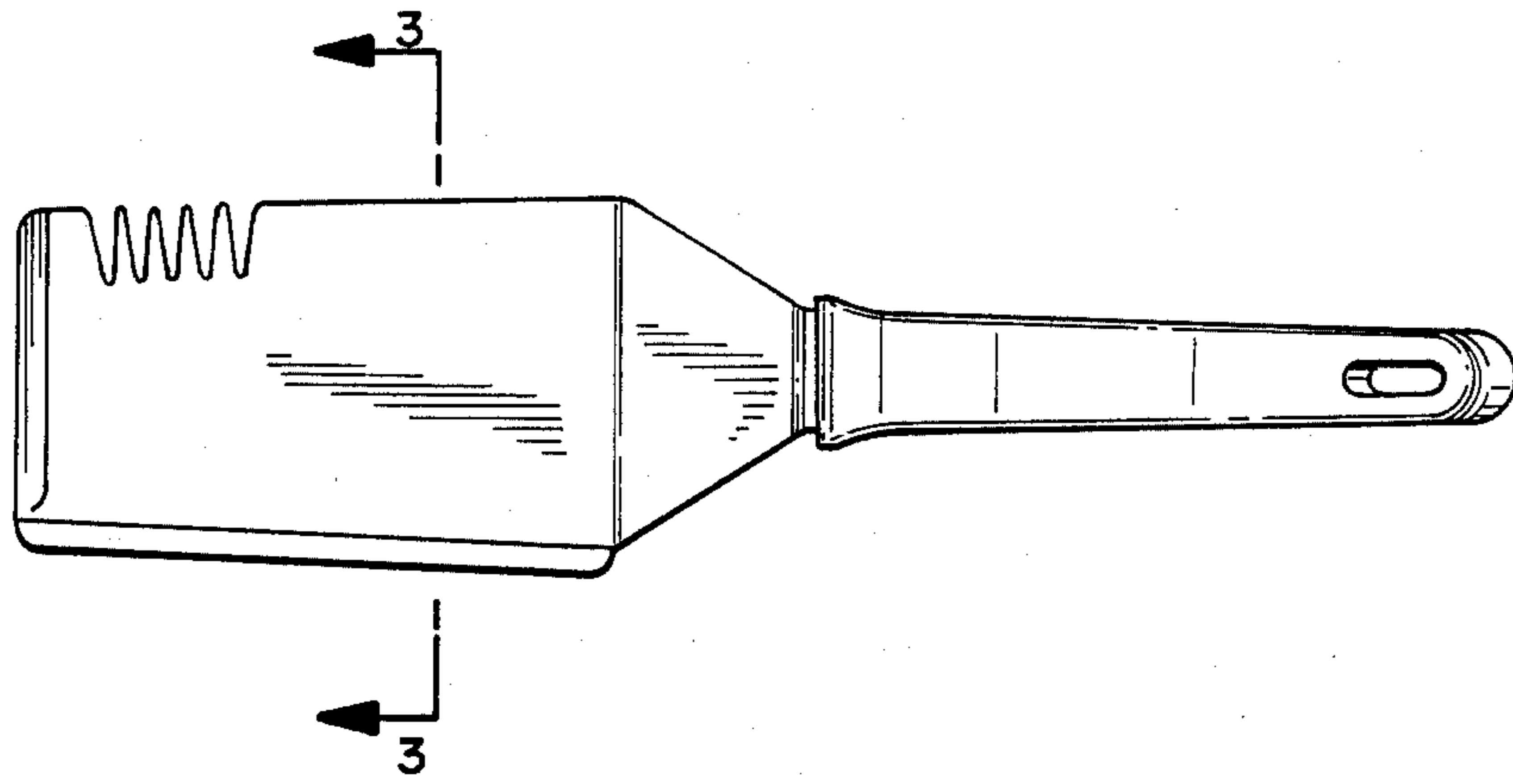


FIG. 1

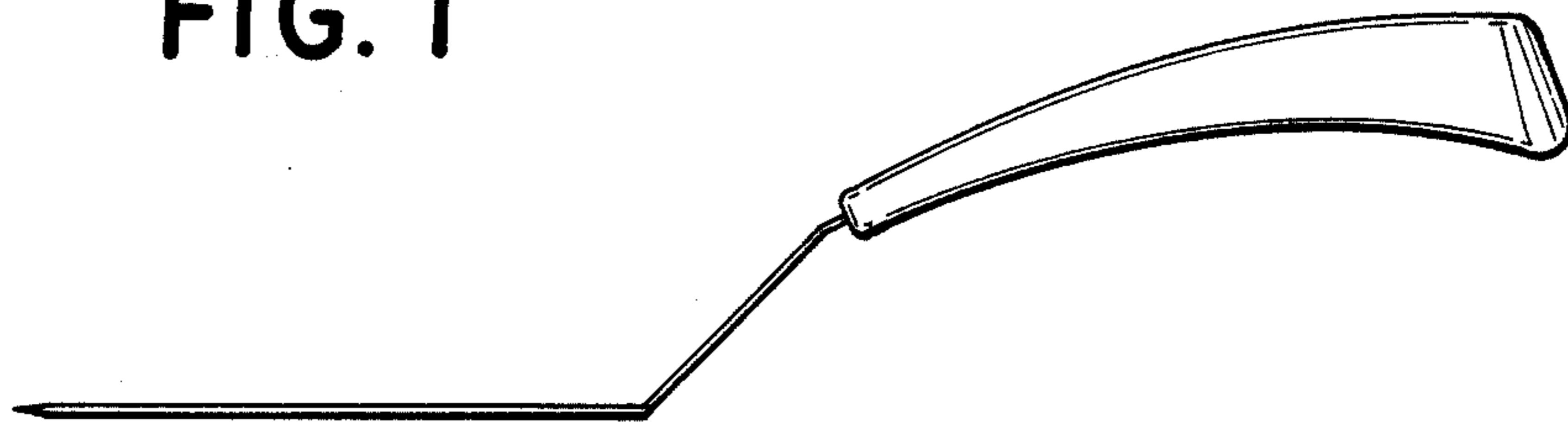


FIG. 2



FIG. 3

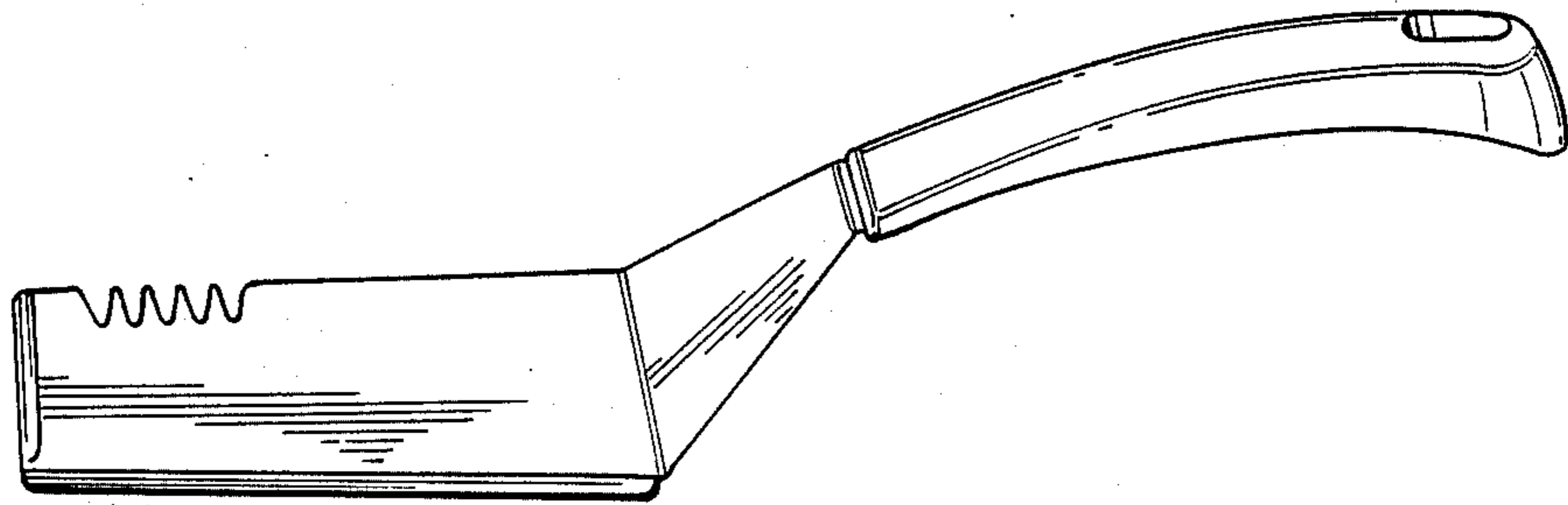


FIG. 4

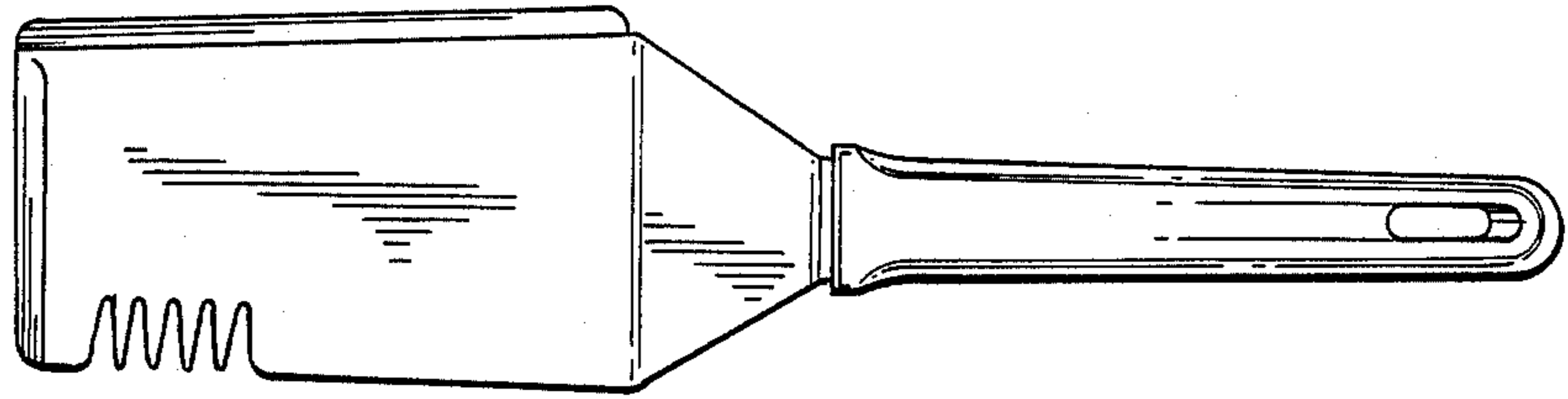


FIG. 5

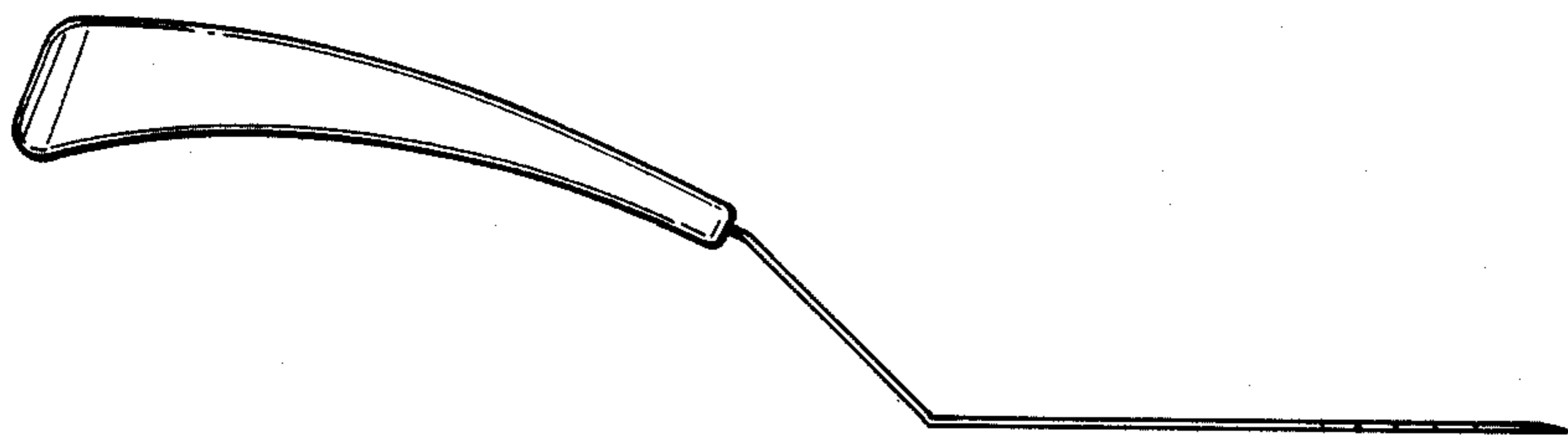


FIG. 6