

[54] **WALL MOUNTED SHELVING UNIT**

[76] **Inventor: Jens H. Christiansen, 5339 Agana Dr., Santa Barbara, Calif. 93111**

[**] **Term: 14 Years**

[21] **Appl. No.: 23,128**

[22] **Filed: Mar. 9, 1987**

[52] **U.S. Cl. D6/574**

[58] **Field of Search D6/512-514, D6/553, 555, 567, 569-570, 574; 211/13, 32, 35-36, 42, 86-87, 90, 126, 134, 153; 108/28, 33, 41, 59, 91; 312/100, 114, 245, 283**

[56] **References Cited**

U.S. PATENT DOCUMENTS

- D. 255,851 7/1980 Crane D6/514
- D. 295,007 4/1988 Hardy et al. D6/555
- 2,556,105 6/1951 Rhett D6/555 X

- 3,896,718 7/1975 Giambaloo D6/574 X
- 4,685,575 8/1987 Kulbersh 211/90

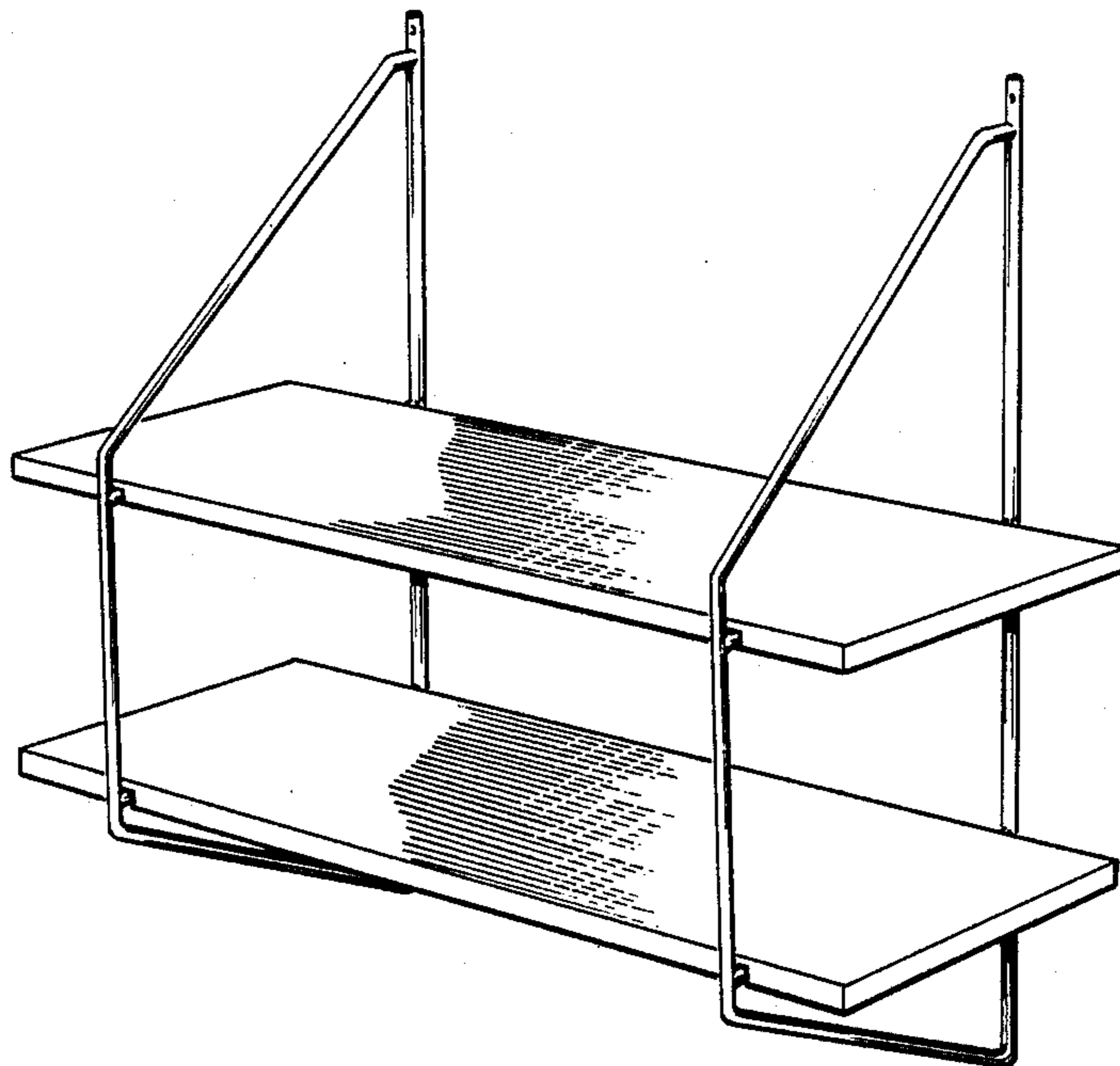
Primary Examiner—Wallace R. Burke
Assistant Examiner—Brian N. Vinson
Attorney, Agent, or Firm—Harry W. Brelsford

[57] **CLAIM**

The ornamental design for wall mounted shelving unit, as shown.

DESCRIPTION

FIG. 1 is a front elevational view of a wall-mounted shelving unit showing my new design; FIG. 2 is a top plan view thereof; FIG. 3 is a bottom plan view thereof; FIG. 4 is a left side elevational view thereof; FIG. 5 is a right side elevational view thereof; FIG. 6 is a rear elevational view thereof; and FIG. 7 is an enlarged perspective view thereof.



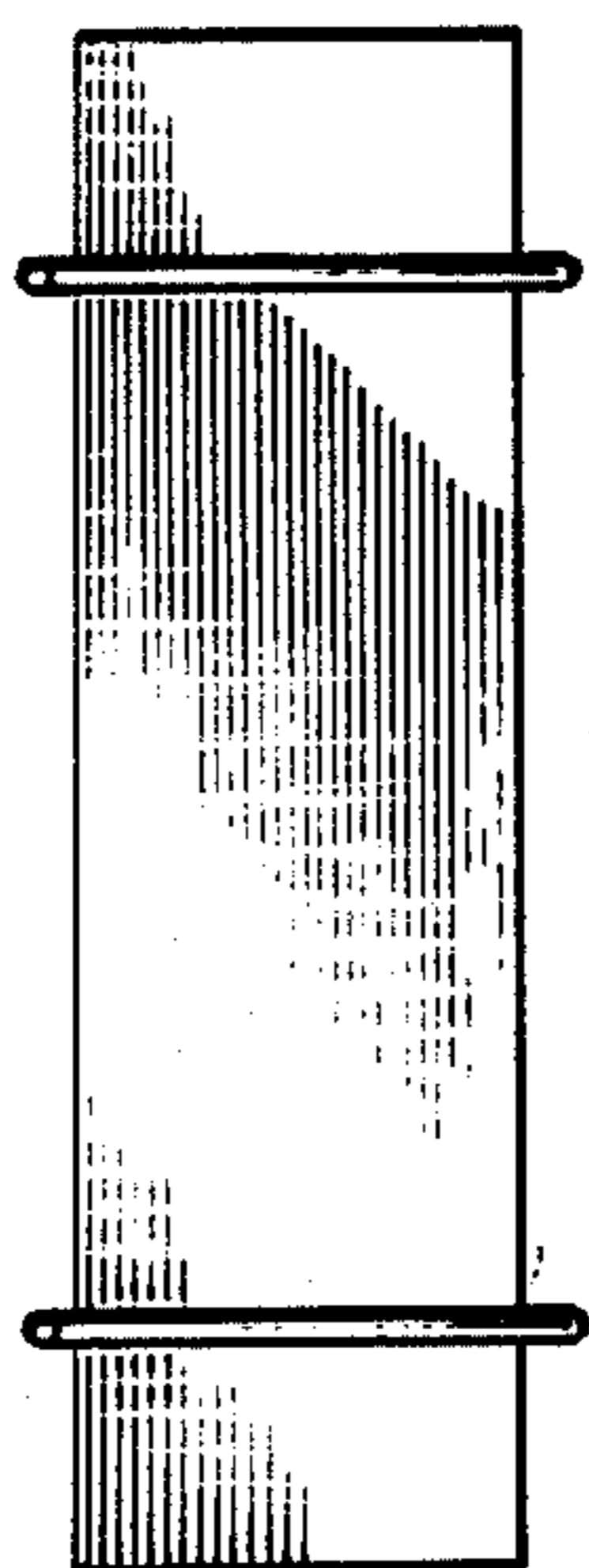


Fig. 2

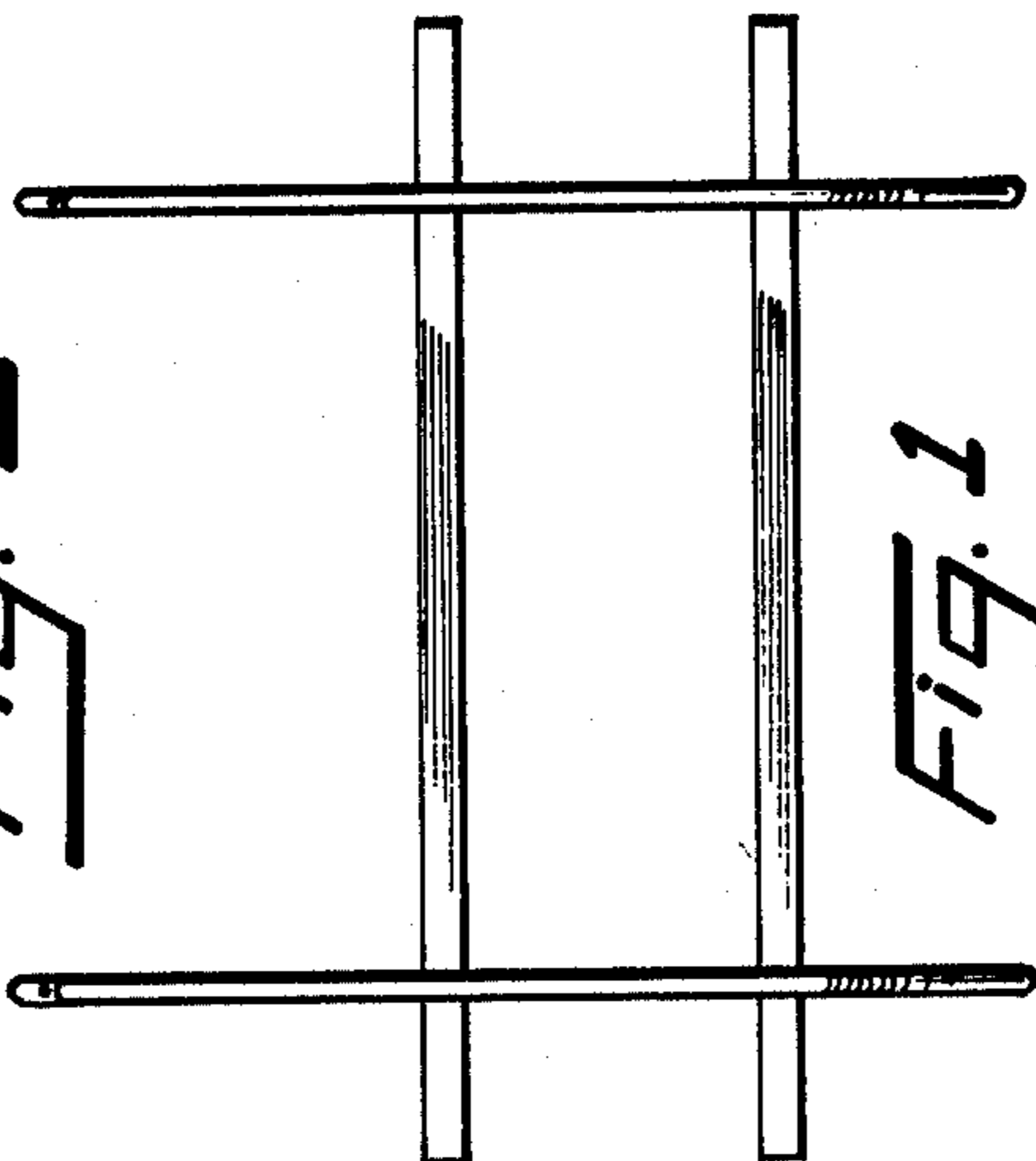


Fig. 1

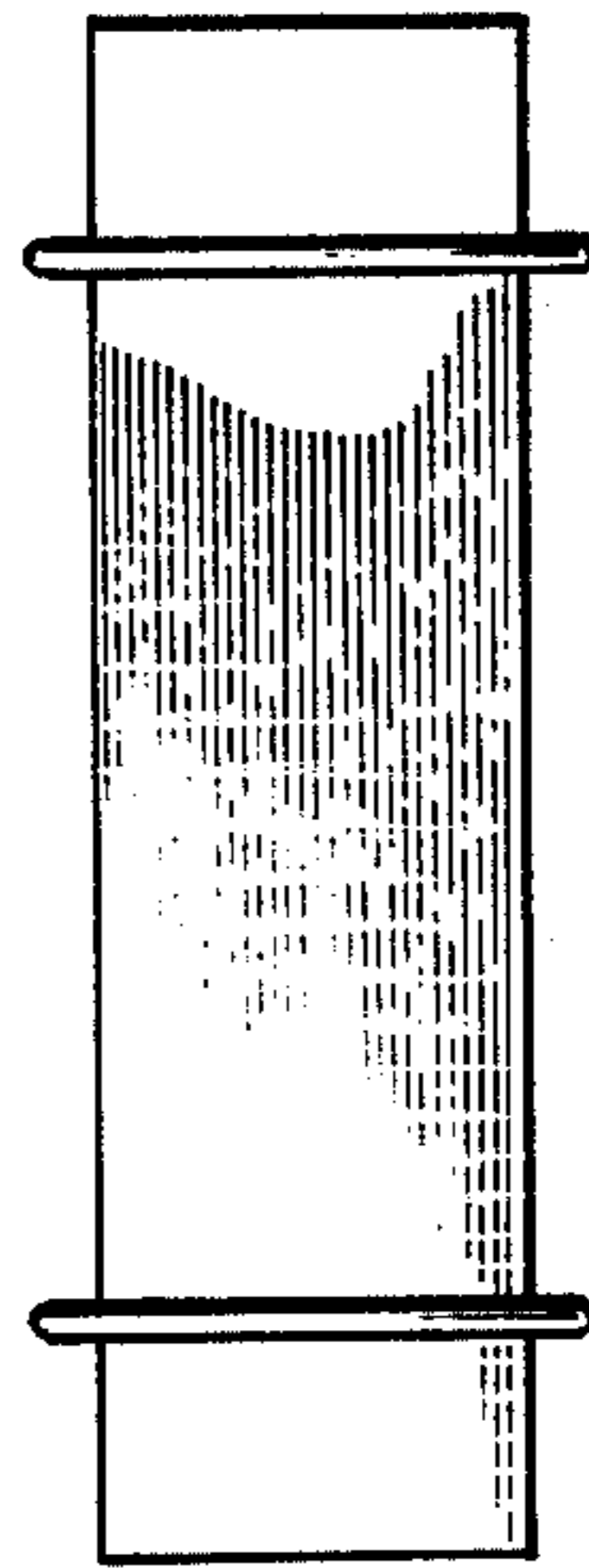


Fig. 3

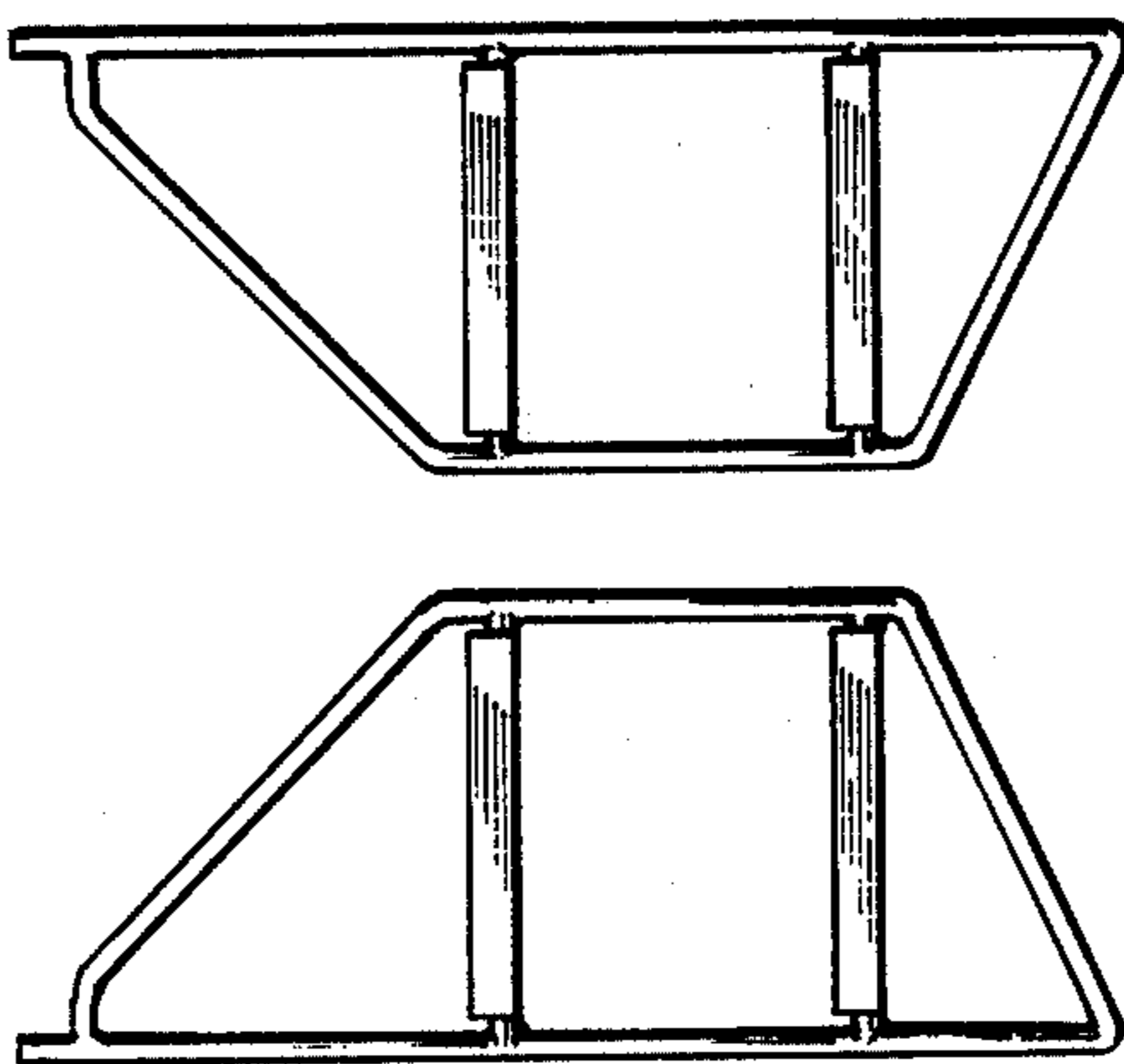


Fig. 5

Fig. 4

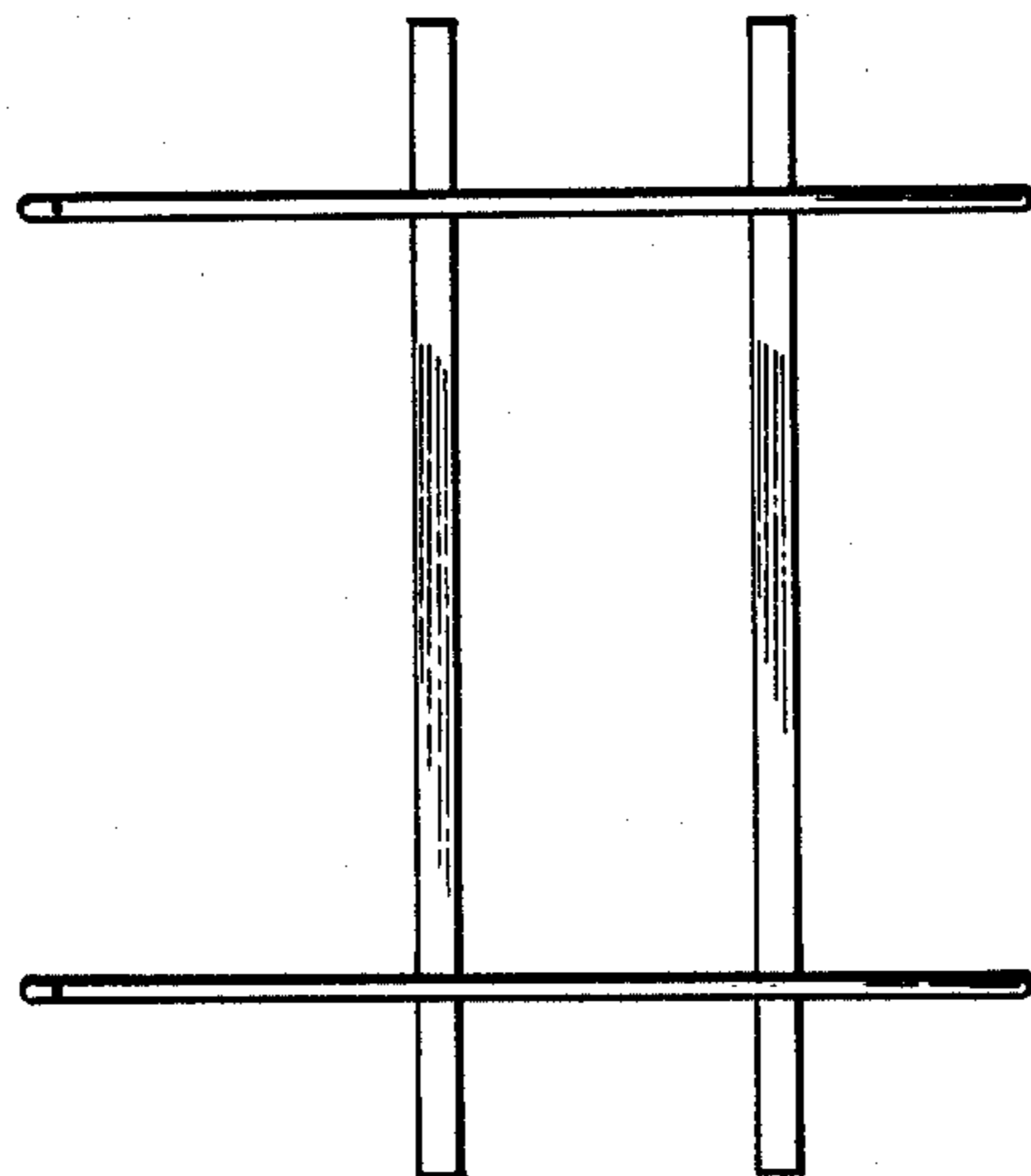


Fig. 6

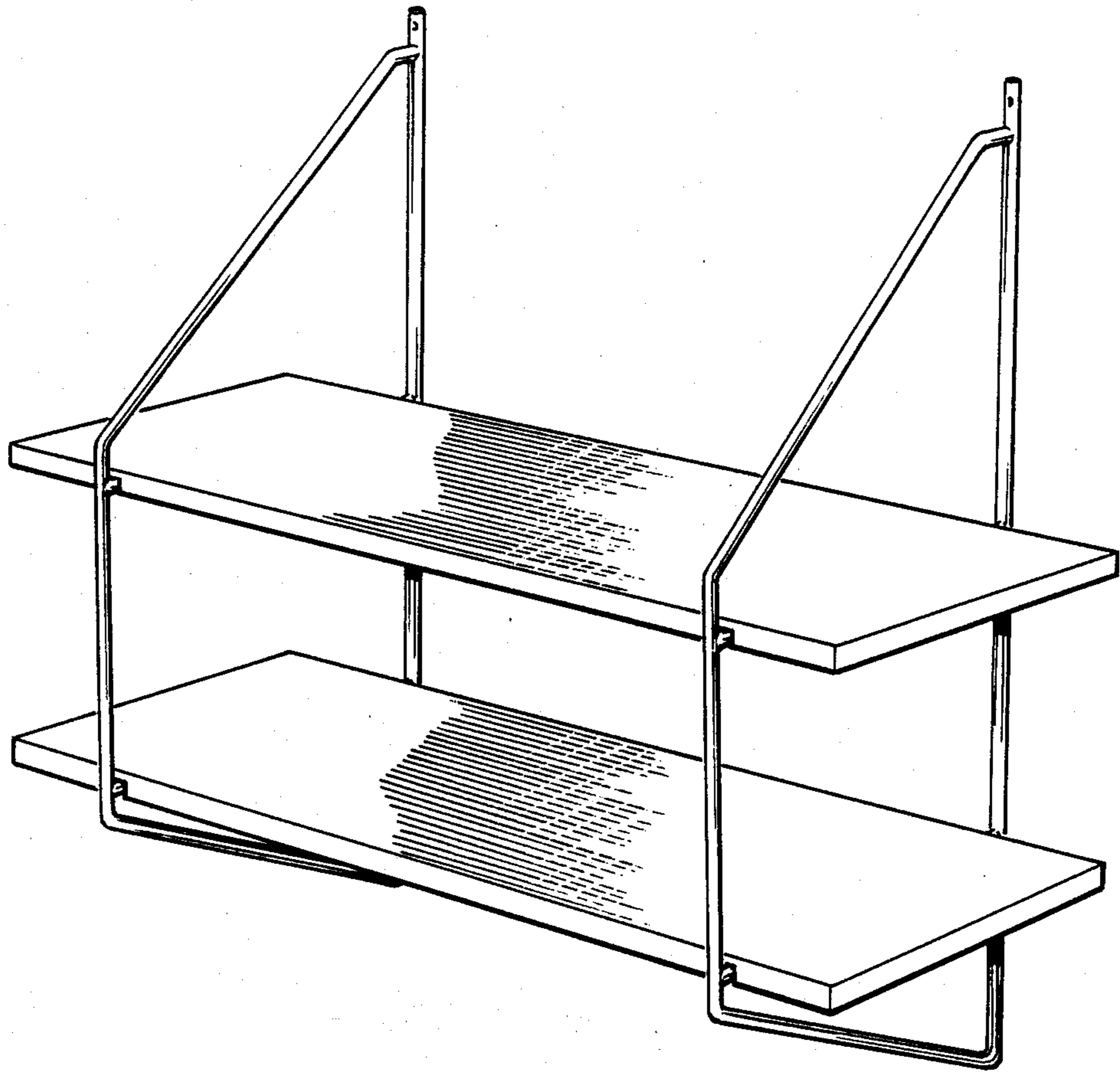


Fig. 7