

[54] FOLDING UTILITY SHELF

[75] Inventor: Emmanuel A. Hanna, Sun Valley, Calif.

[73] Assignee: Bobrick Washroom Equipment, Inc., North Hollywood, Calif.

[**] Term: 14 Years

[21] Appl. No.: 860,773

[22] Filed: May 7, 1986

[52] U.S. Cl. D6/574

[58] Field of Search D6/512, 553, 555, 567, D6/574, 570-572; 108/1, 6, 77, 28; 211/126, 134, 150-152; D8/323-327

[56] References Cited

U.S. PATENT DOCUMENTS

D. 157,825	3/1950	Abbott	D6/570
D. 212,099	8/1968	Brothers	D6/572
D. 274,105	6/1984	Brescia et al.	D6/555
3,259,082	7/1966	Williams	108/28 X
3,282,230	11/1966	Levy	108/28

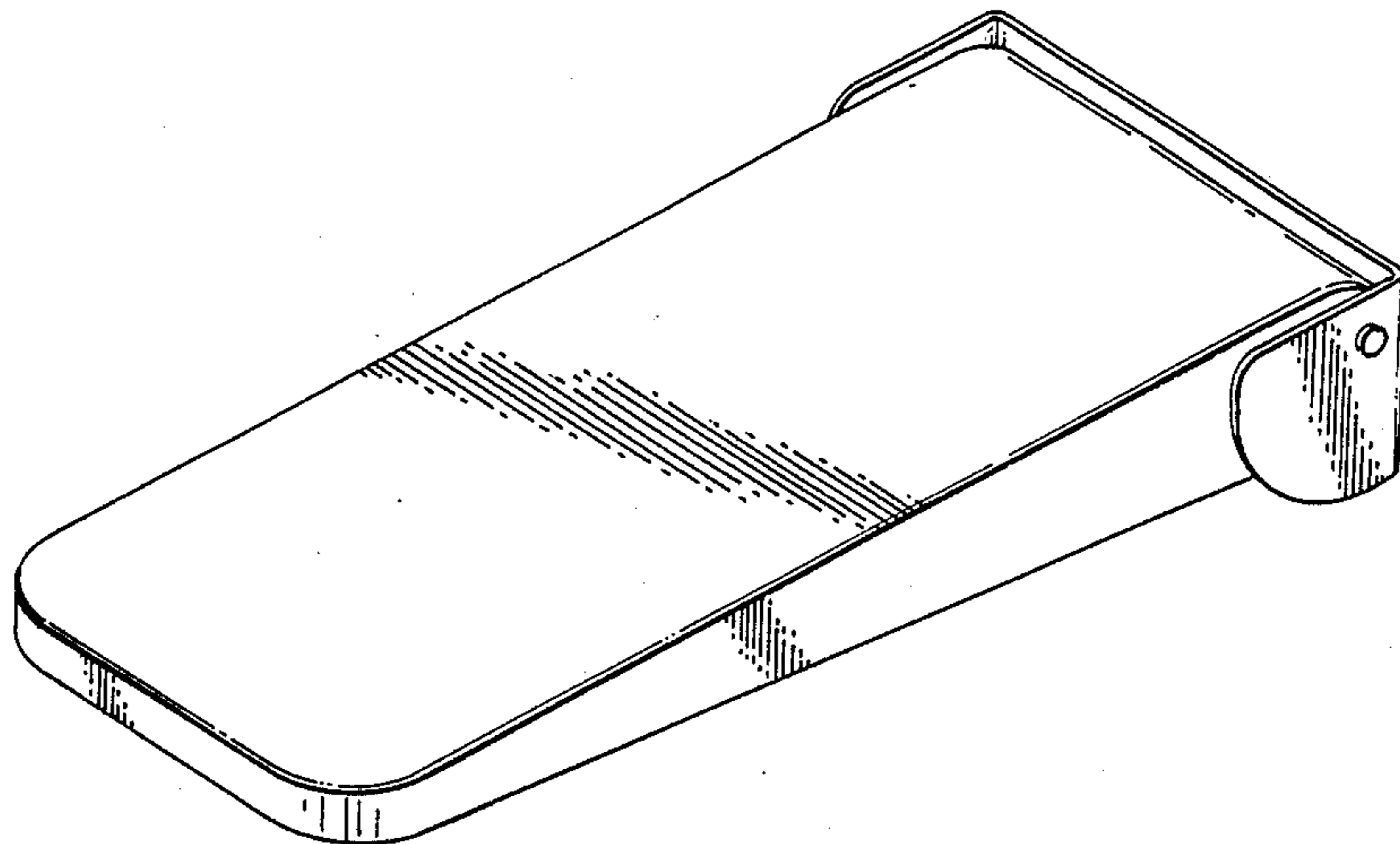
Primary Examiner—Wallace R. Burke
Assistant Examiner—Brian N. Vinson
Attorney, Agent, or Firm—Lyon & Lyon

[57] CLAIM

The ornamental design for a folding utility shelf, as shown and described.

DESCRIPTION

FIG. 1 is a perspective view of the folding utility shelf showing my new design;
FIG. 2 is a side elevational view thereof, the opposite side being a mirror image of that shown;
FIG. 3 is an enlarged rear elevational view thereof;
FIG. 4 is a bottom plan view thereof;
FIG. 5 is a perspective view thereof with the shelf in the raised position;
FIG. 6 is a rear elevational view thereof with the shelf in the raised position;
FIG. 7 is an enlarged bottom plan view thereof with the shelf in the raised position; and
FIG. 8 is a side elevational view thereof, with the shelf in the raised position and the opposite side being a mirror image of that shown.



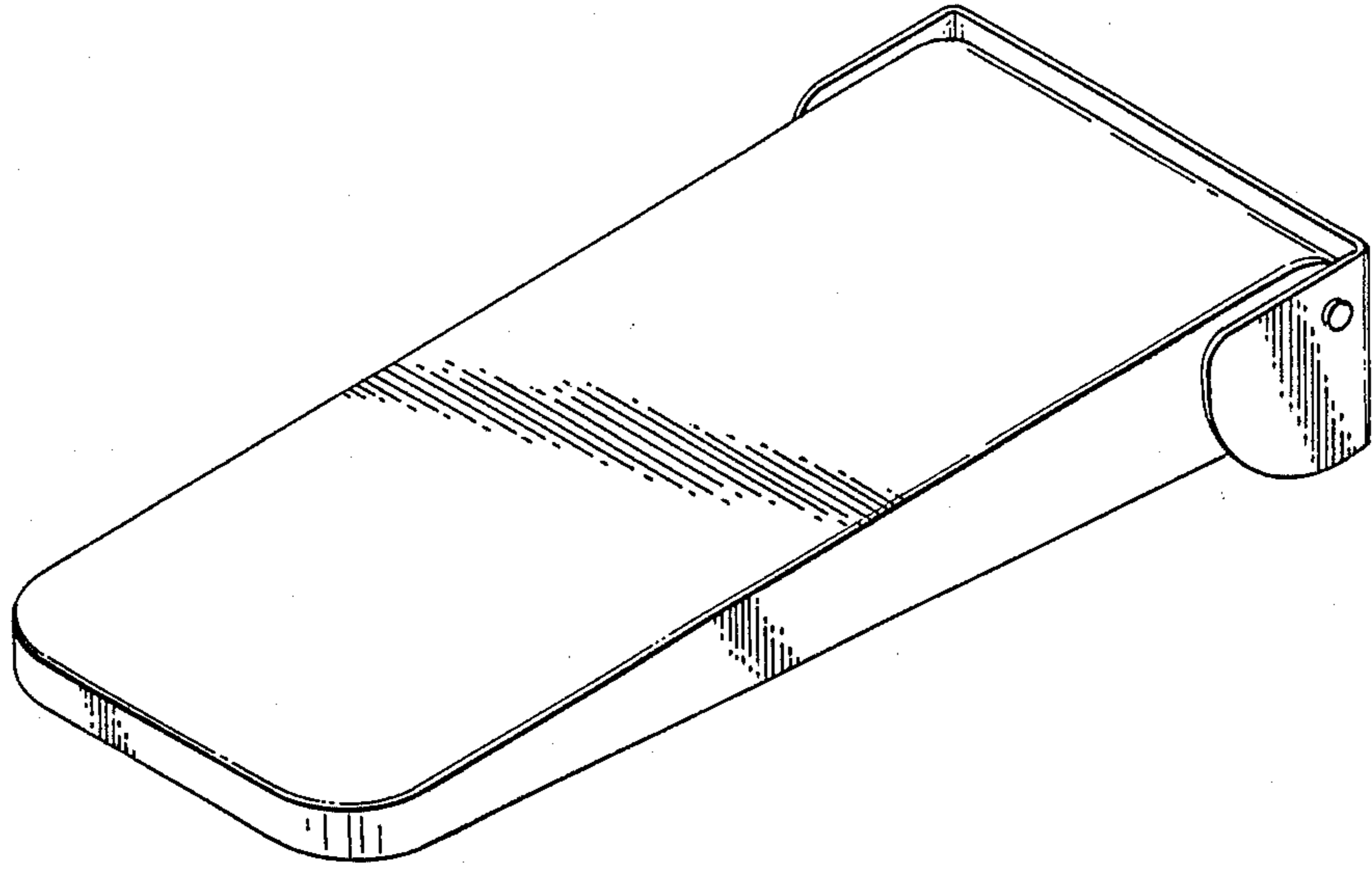


FIG. 1.

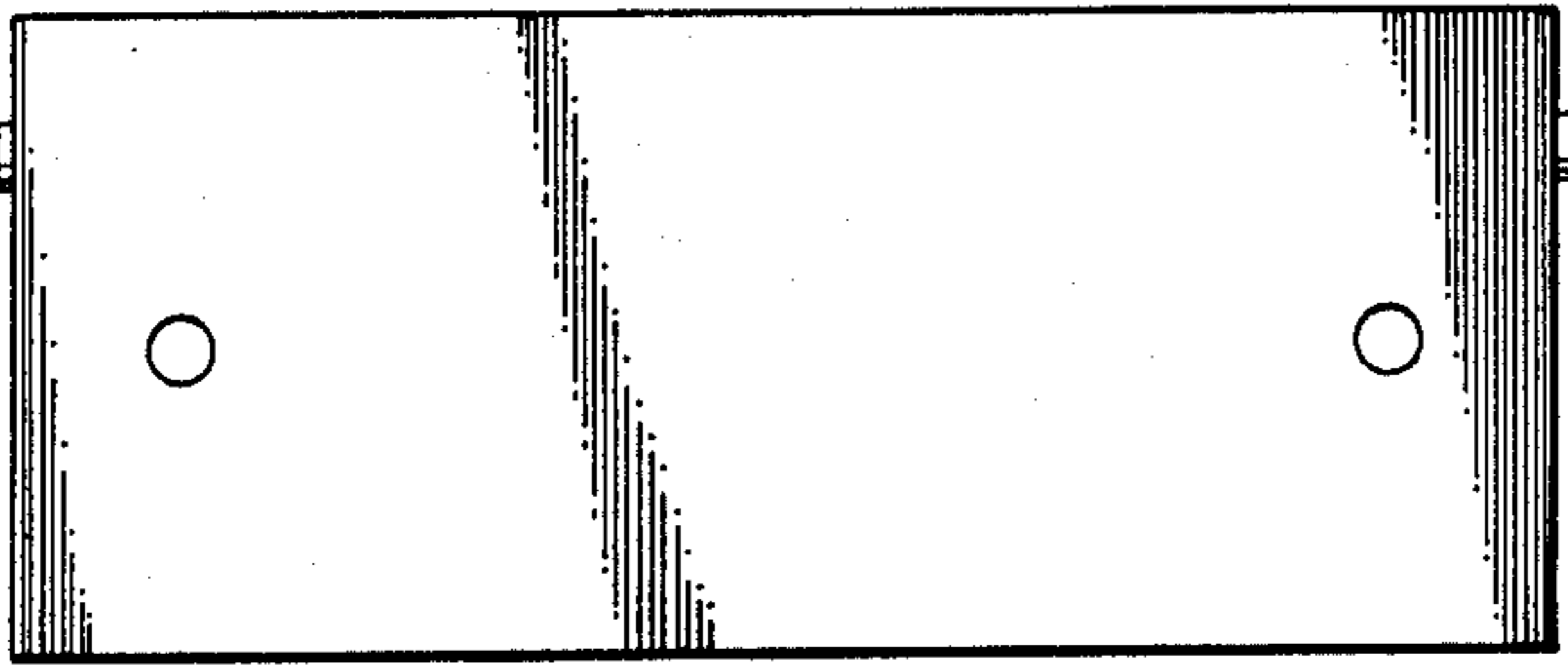


FIG. 3

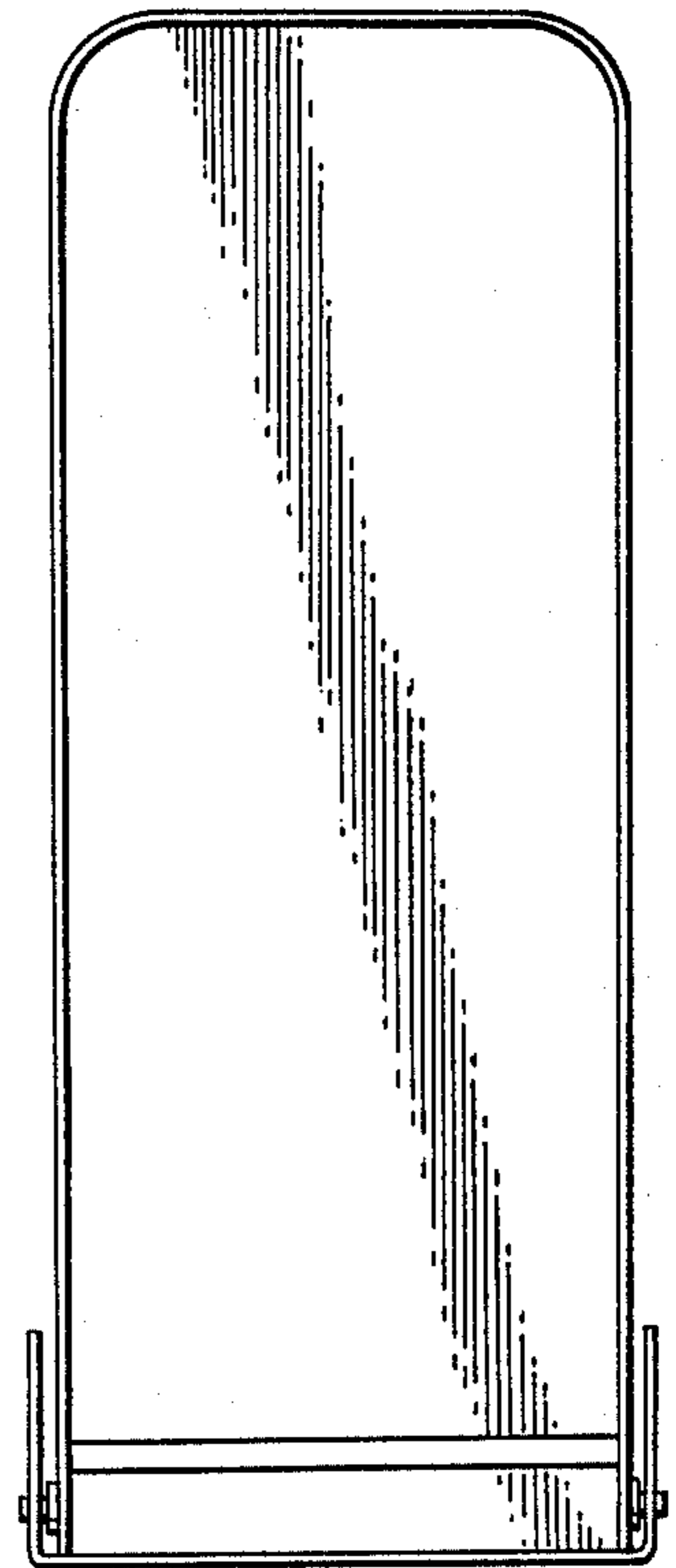


FIG. 4.

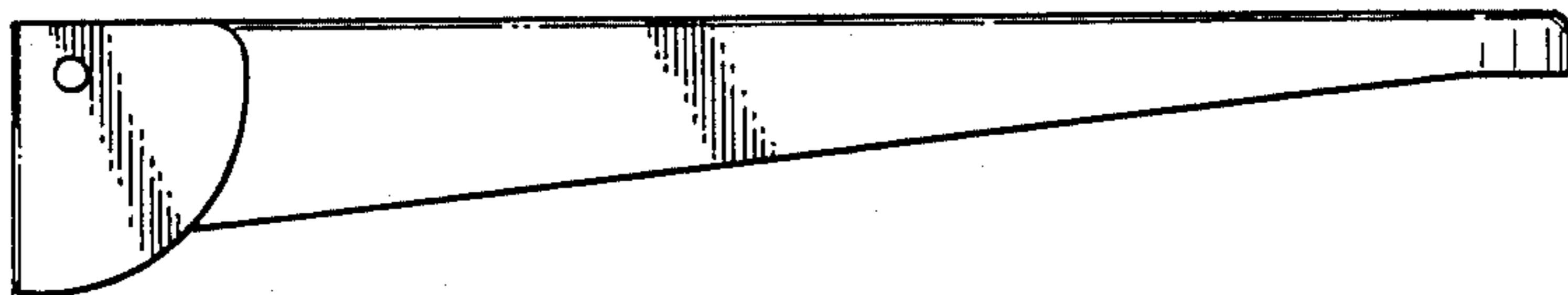


FIG. 2.

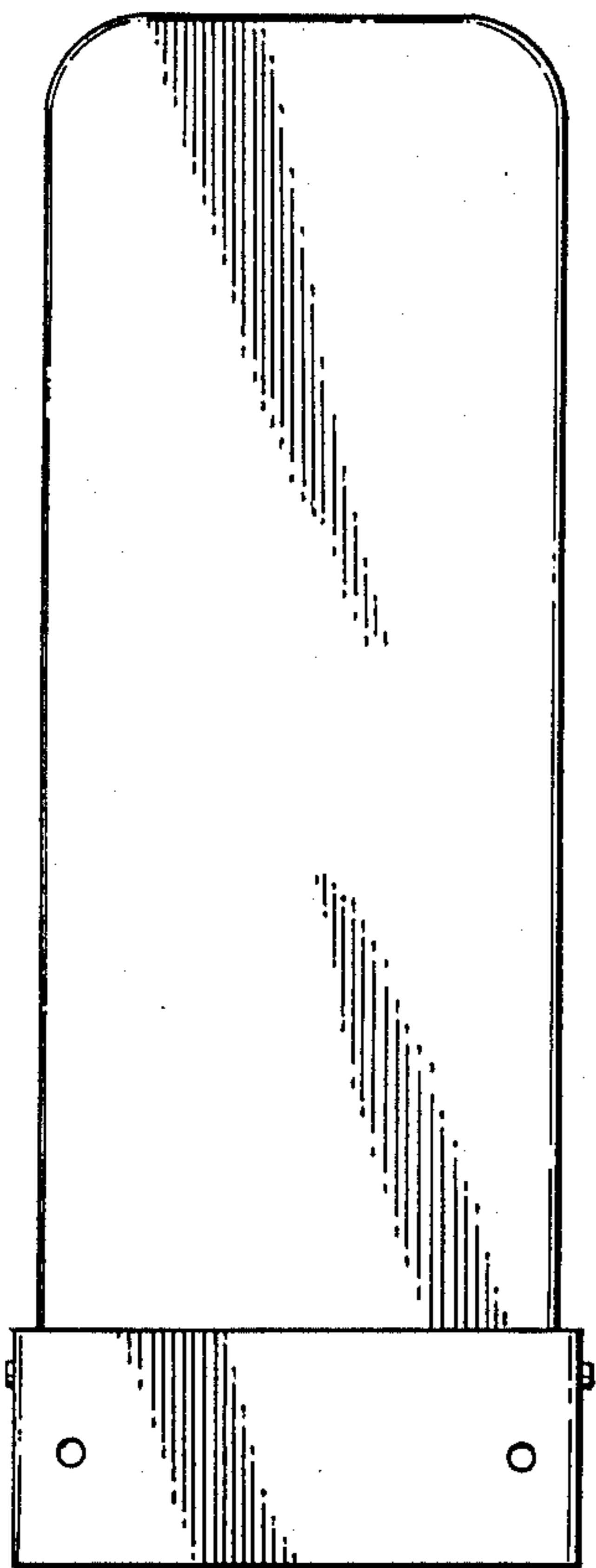


FIG. 6.

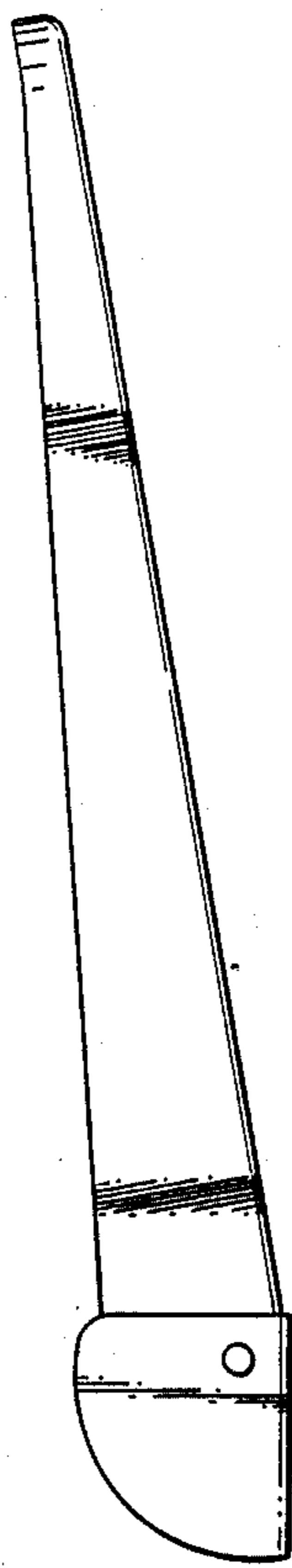


FIG. 8.

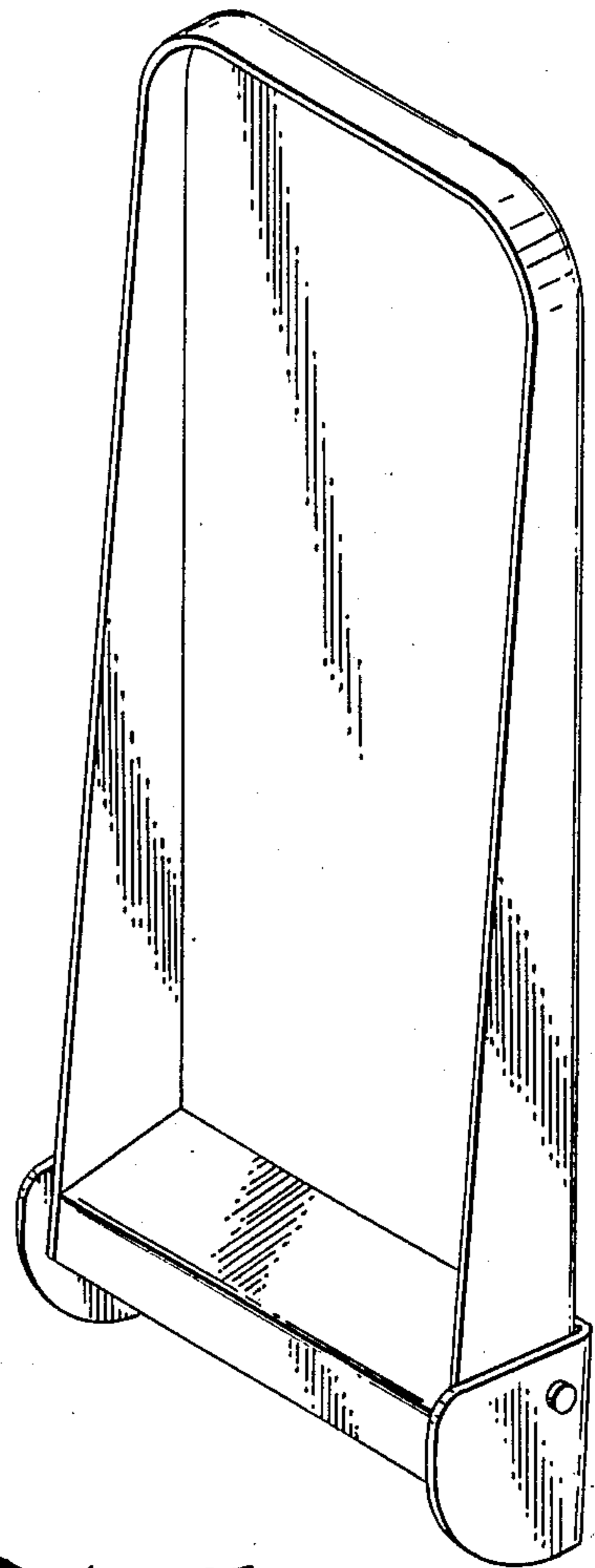


FIG. 5.

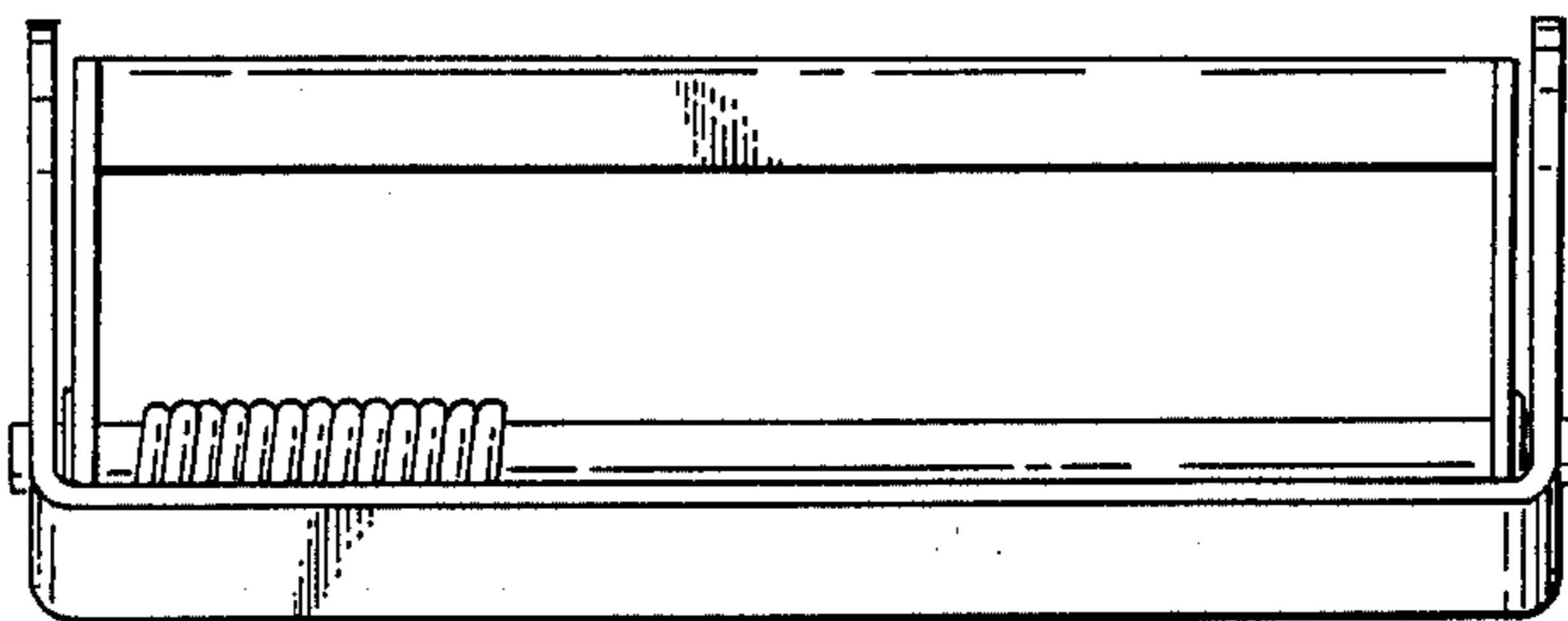


FIG. 7.