

[54] **MODULAR DISPENSER TRAY**
[76] **Inventor: Stephen H. Wolff, 222 E. 35th St.,
New York, N.Y. 10116**
[**] **Term: 14 Years**
[21] **Appl. No.: 897,517**
[22] **Filed: Aug. 18, 1986**
[52] **U.S. Cl. D6/408; D6/509**
[58] **Field of Search D6/510, 574, 509, 511,
D6/462, 408; 211/51, 59.3; 312/42, 50, 60, 61,
71, 45**

3,848,745 11/1974 Smith 211/59.3
4,300,693 11/1981 Spamer 211/59.3
4,351,439 9/1982 Taylor 211/59.3

Primary Examiner—Carmen H. Vales
Attorney, Agent, or Firm—Jacobs & Jacobs

[57] **CLAIM**

The ornamental design for a modular dispenser tray, as shown and described.

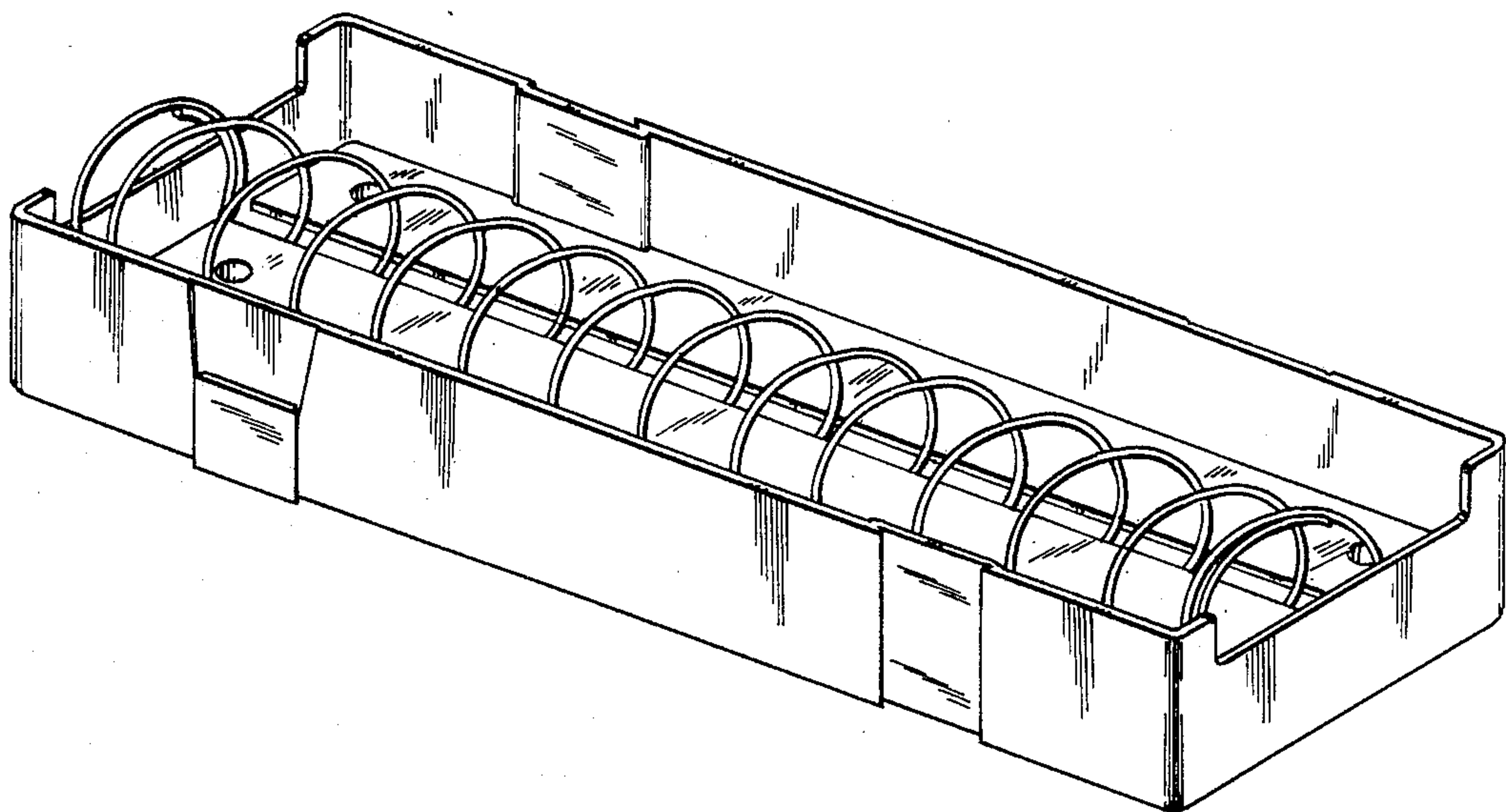
DESCRIPTION

FIG. 1 is a perspective view of modular dispenser tray showing my new design;
FIG. 2 is a front elevational view, the rear being identical thereto;
FIG. 3 is a top plan view;
FIG. 4 is a left side, elevational view, the right side being a mirror image thereof;
FIG. 5 is a bottom plan view; and
FIG. 6 is a cross-sectional view taken along the line 6—6 of FIG. 3.

[56] **References Cited**

U.S. PATENT DOCUMENTS

D. 254,415 3/1980 Kingsford D6/509
D. 254,526 3/1980 Dolphin, Sr. et al. D6/510
D. 263,538 3/1982 Briggs et al. D6/408
2,110,299 3/1938 Hinkle 211/59.3
2,954,128 9/1960 Gordon 211/59.3
2,954,129 9/1960 Gordon 211/59.3



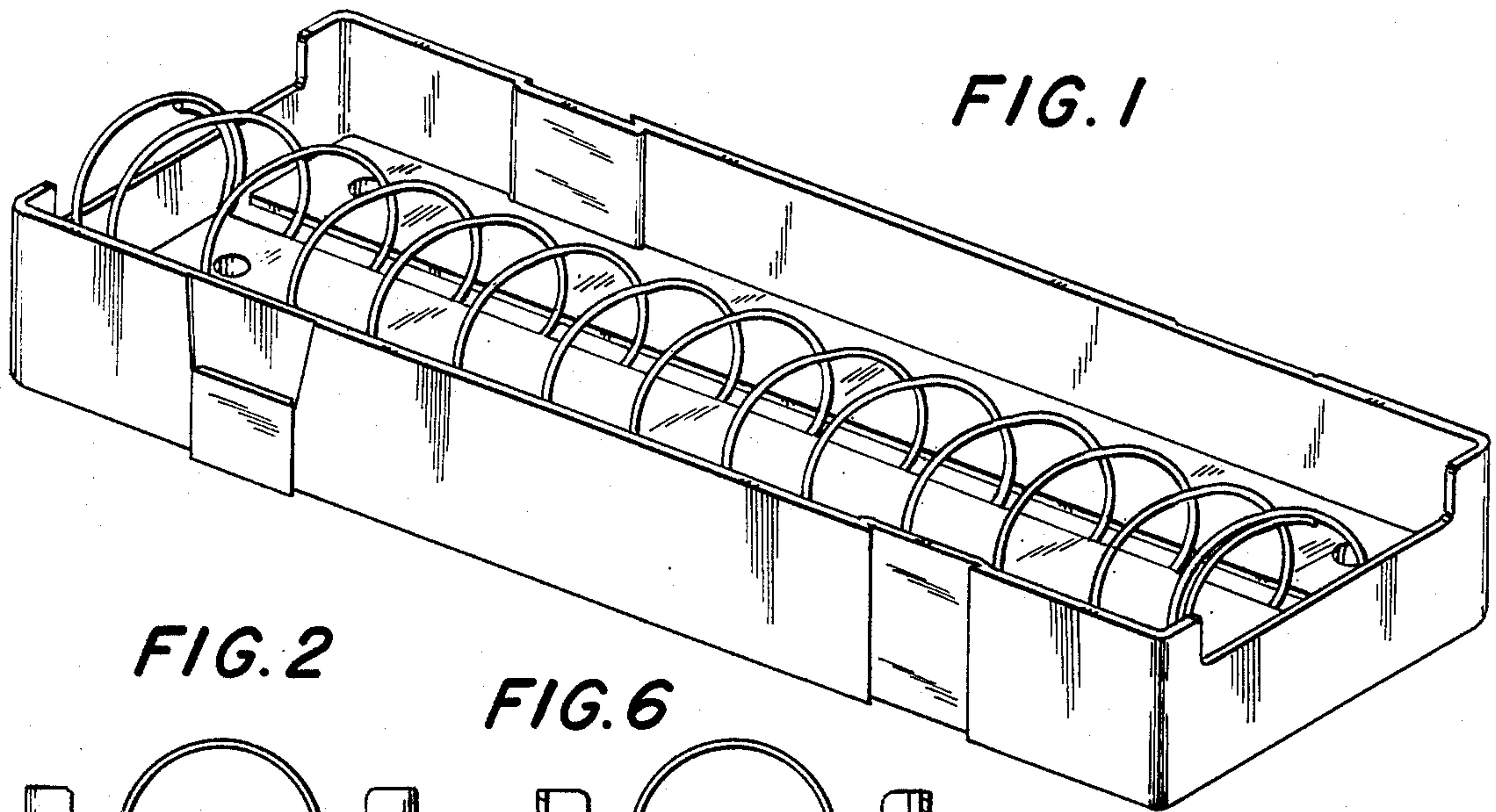


FIG. 2

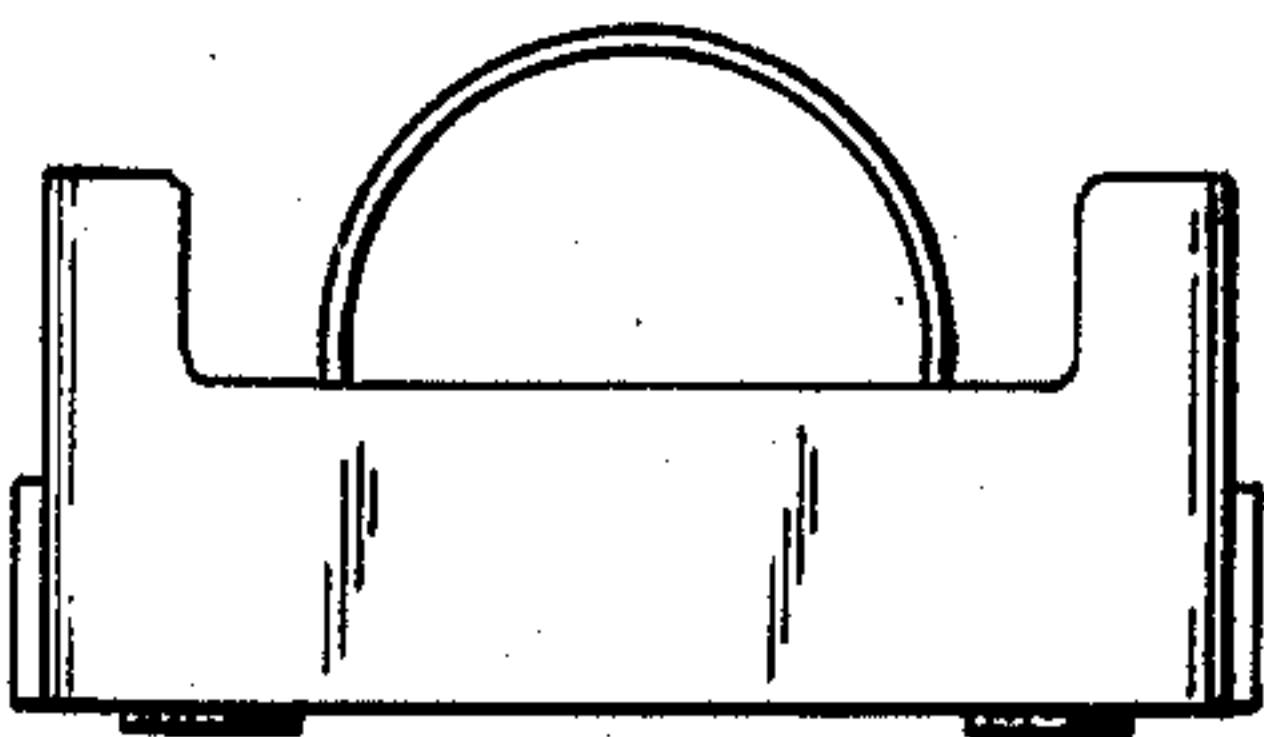


FIG. 6

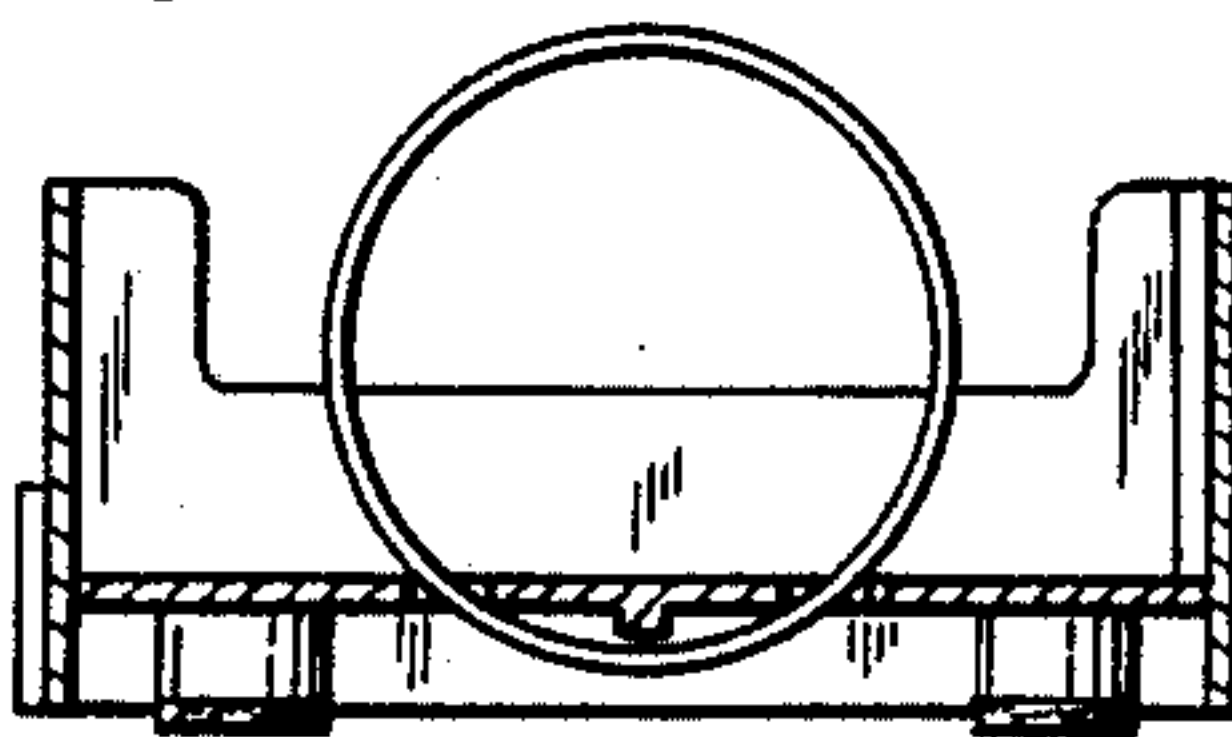


FIG. 3

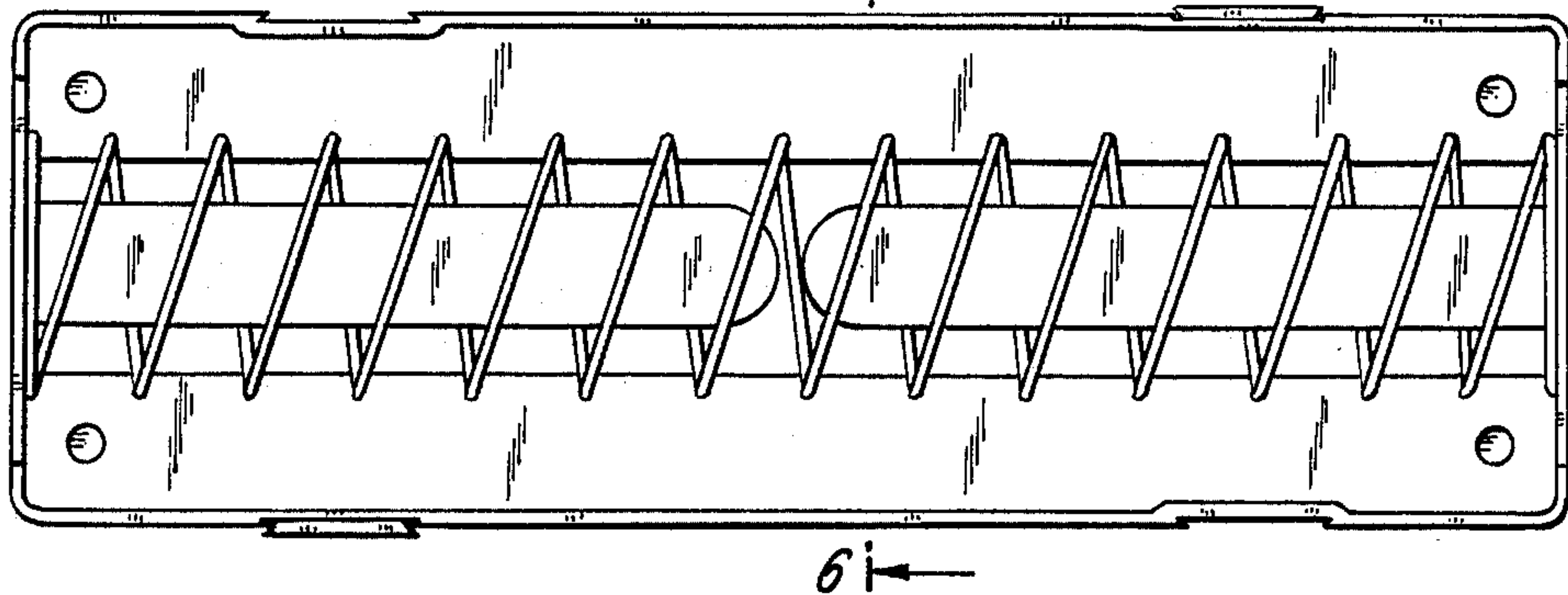


FIG. 4

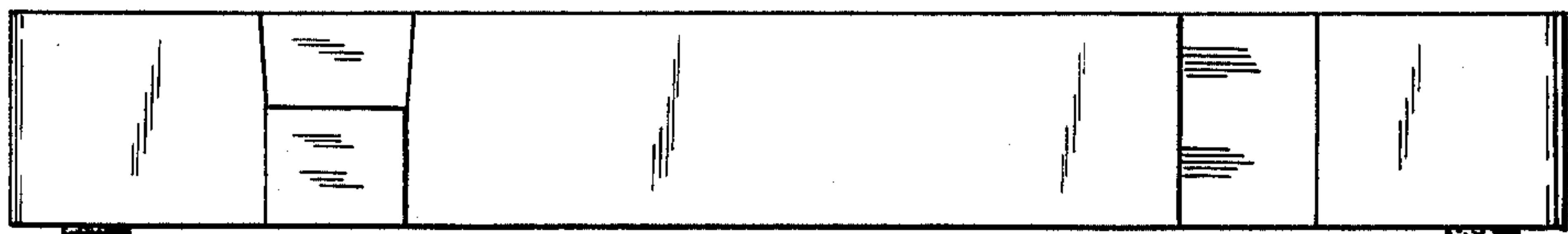


FIG. 5

