

[54] WORKBENCH

[75] Inventor: Philippe Gautier, Paris, France

[73] Assignee: Etablissements Piole, Feuquieres-en-Viemeu, France

[**] Term: 14 Years

[21] Appl. No.: 672,186

[22] Filed: Nov. 16, 1984

[30] Foreign Application Priority Data

May 17, 1984 [FR] France 84 2179

[52] U.S. Cl. D6/400

[58] Field of Search D6/400, 422, 428, 481, D6/480, 484, 418

[56] References Cited

U.S. PATENT DOCUMENTS

D. 237,930 12/1975 Demmer D6/400

D. 251,167 2/1979 Isles D6/428 X
D. 284,532 7/1986 Vogt D6/422 X

OTHER PUBLICATIONS

Domus, Dec. 1981, p. FFF, Table right center by Klier.

Primary Examiner—Bruce W. Dunkins
Attorney, Agent, or Firm—Kuhn and Muller

[57] CLAIM

The ornamental design for a workbench, as shown.

DESCRIPTION

FIG. 1 is a front elevational view of a workbench showing my new design;
FIG. 2 is a rear elevational view;
FIG. 3 is a right side elevational view;
FIG. 4 is a left side elevational view;
FIG. 5 is a top plan view;
FIG. 6 is a bottom plan view; and
FIG. 7 is a front perspective view thereof.

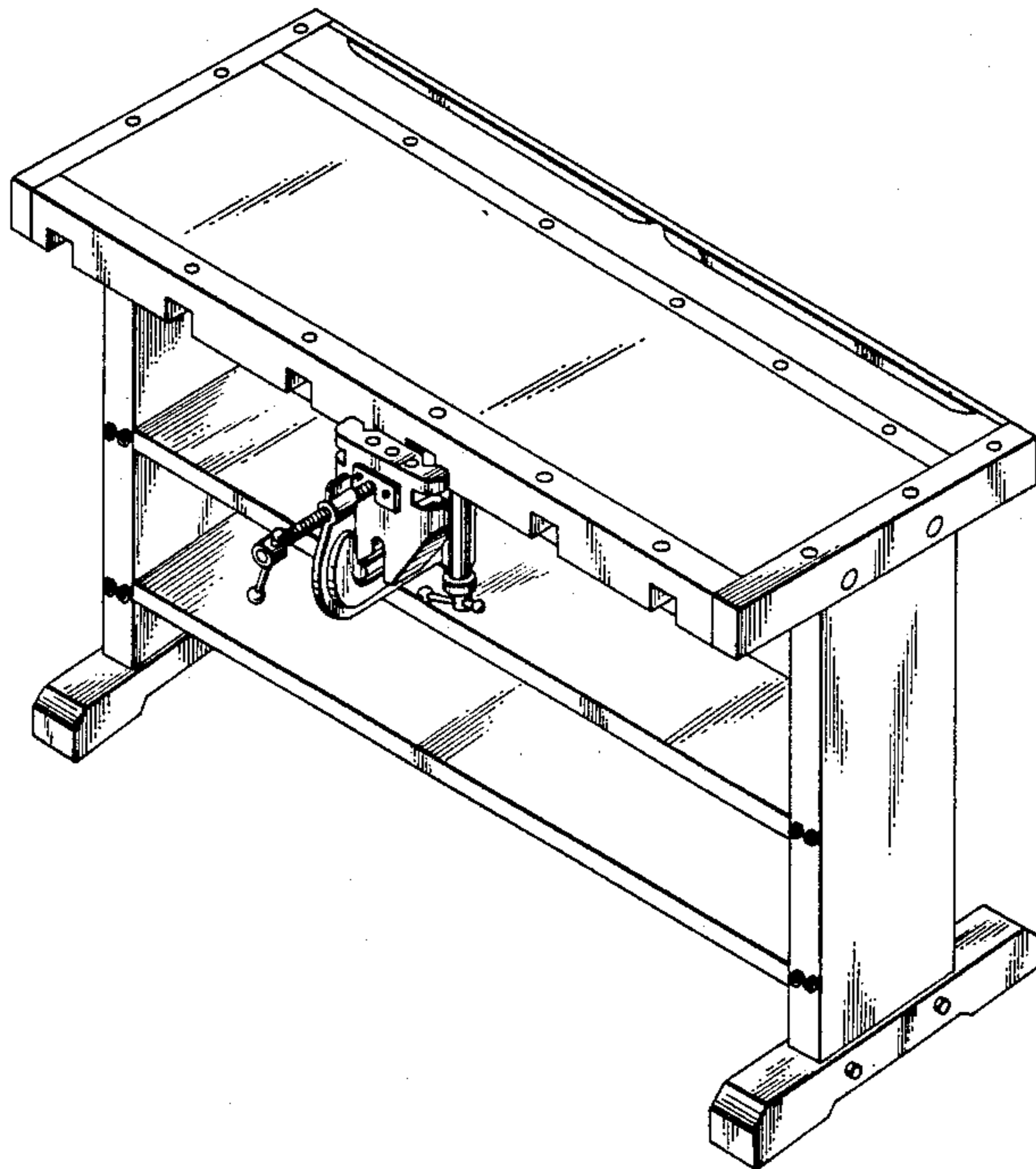


FIG. 1

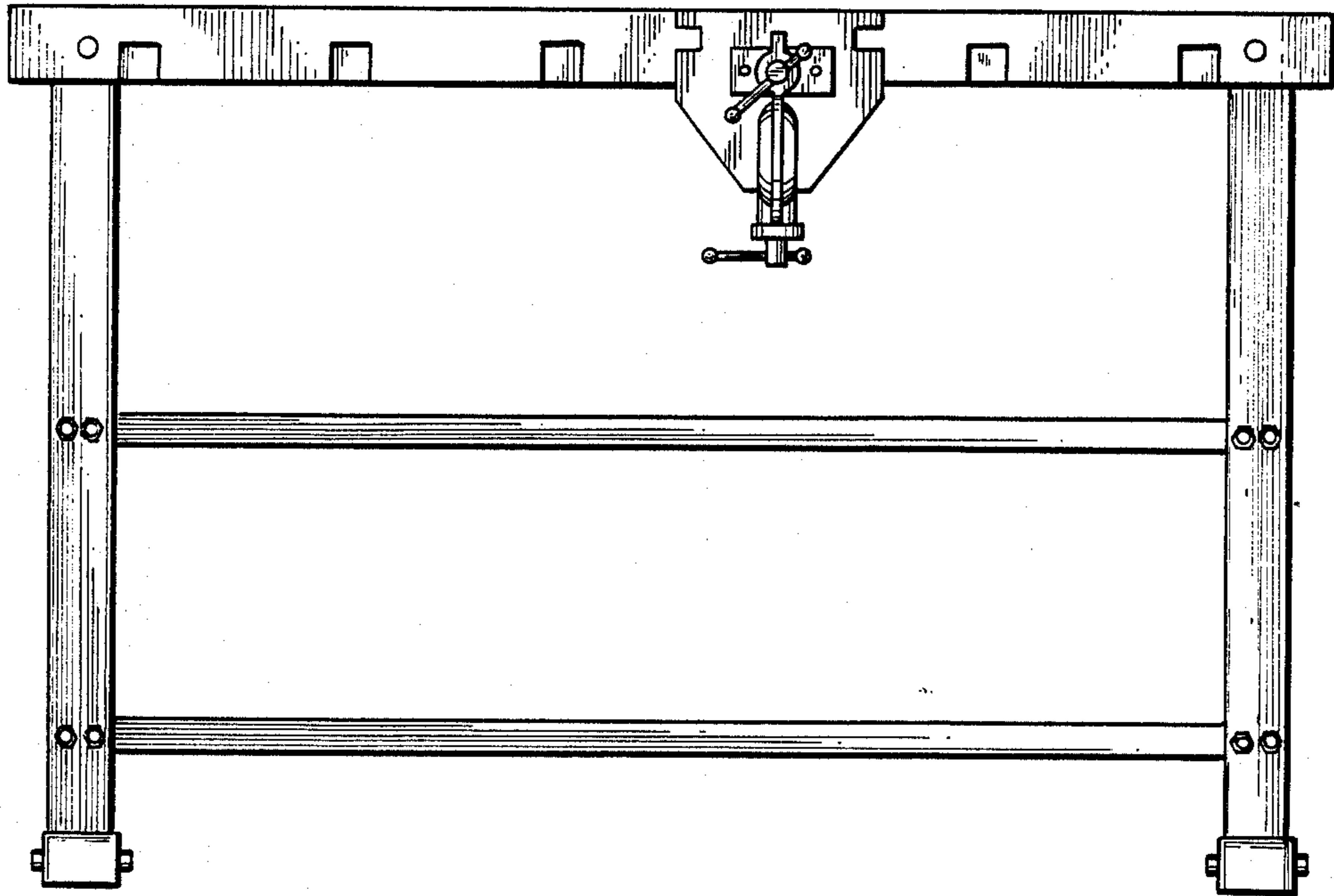
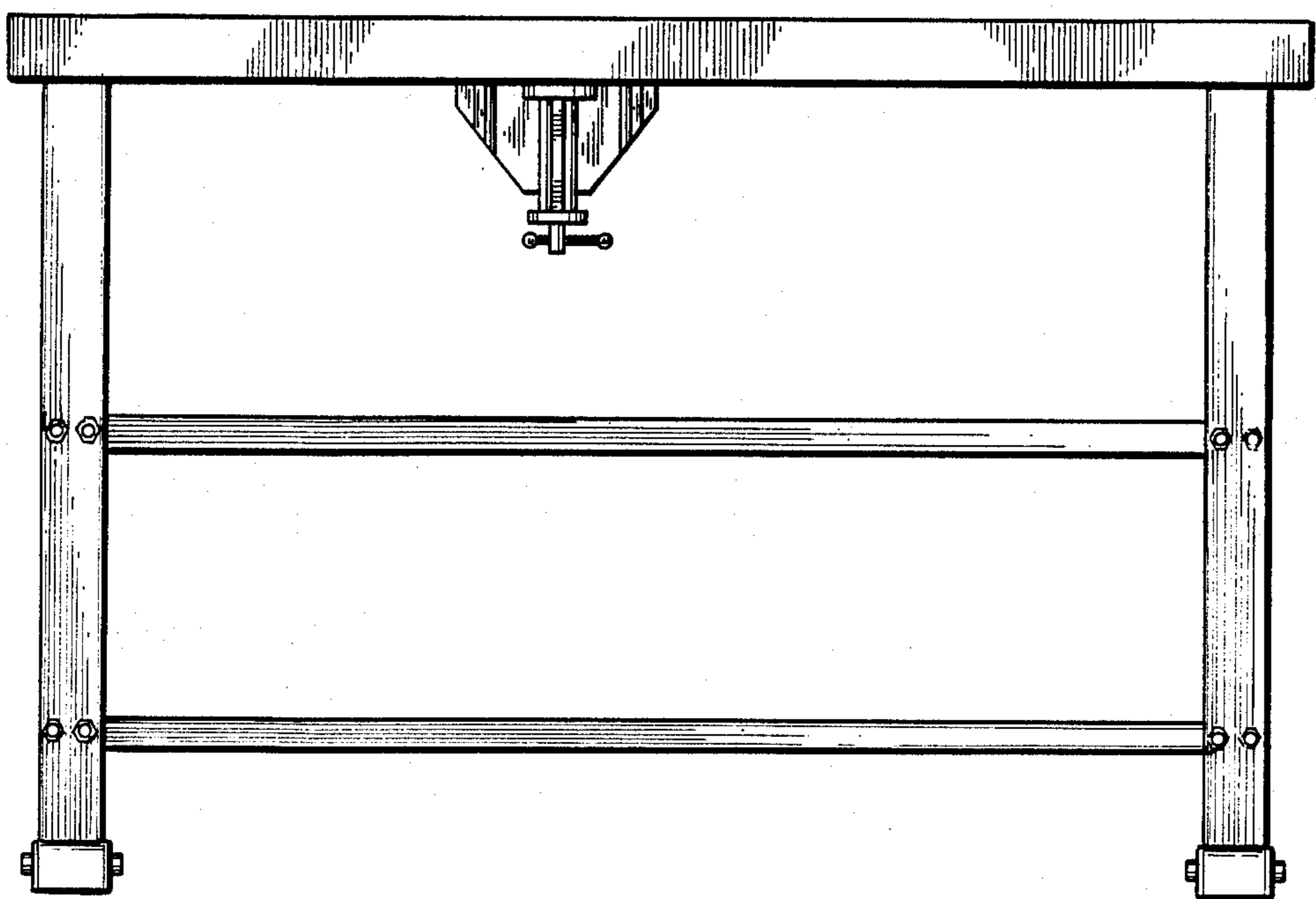


FIG. 2



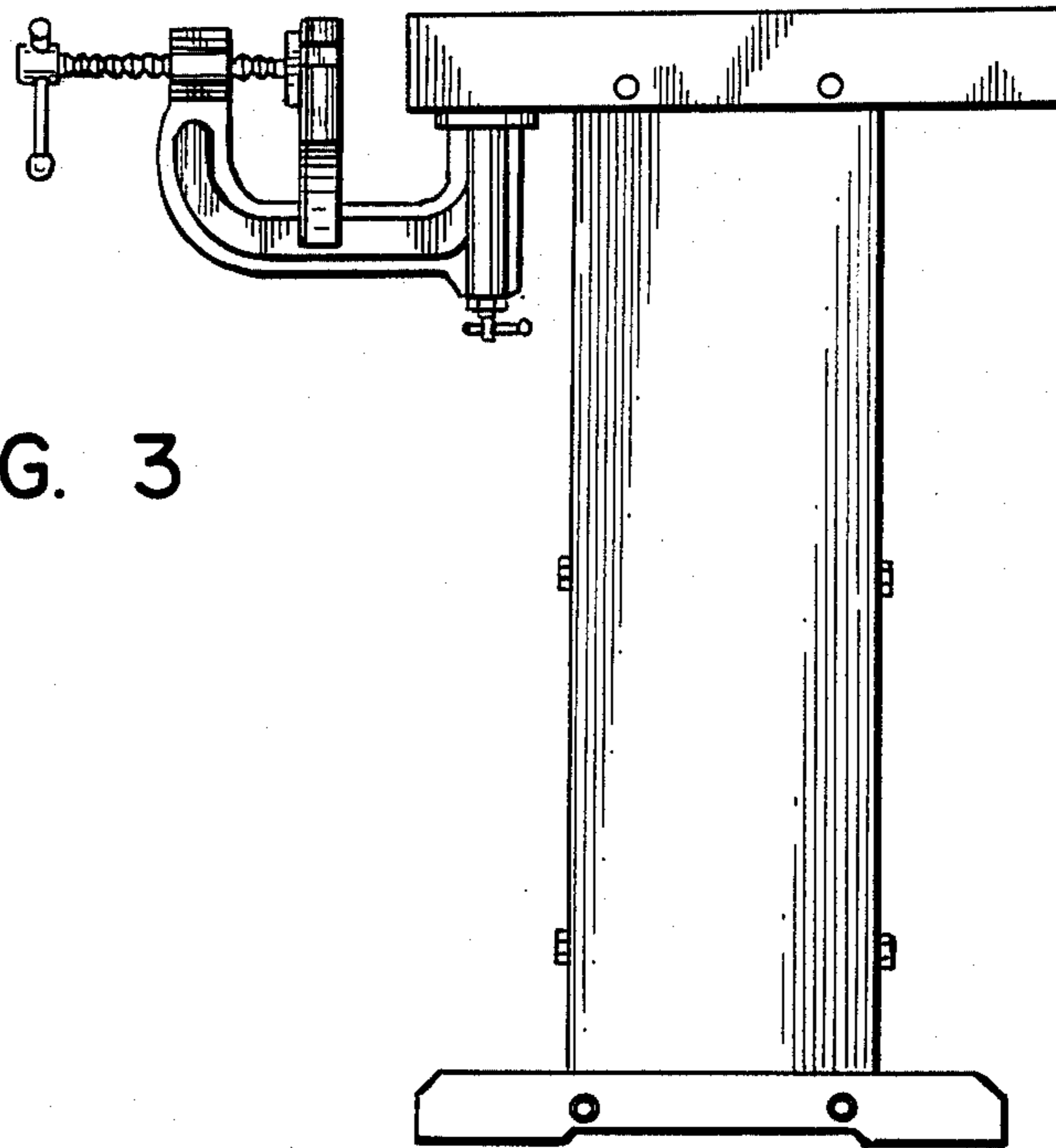


FIG. 3

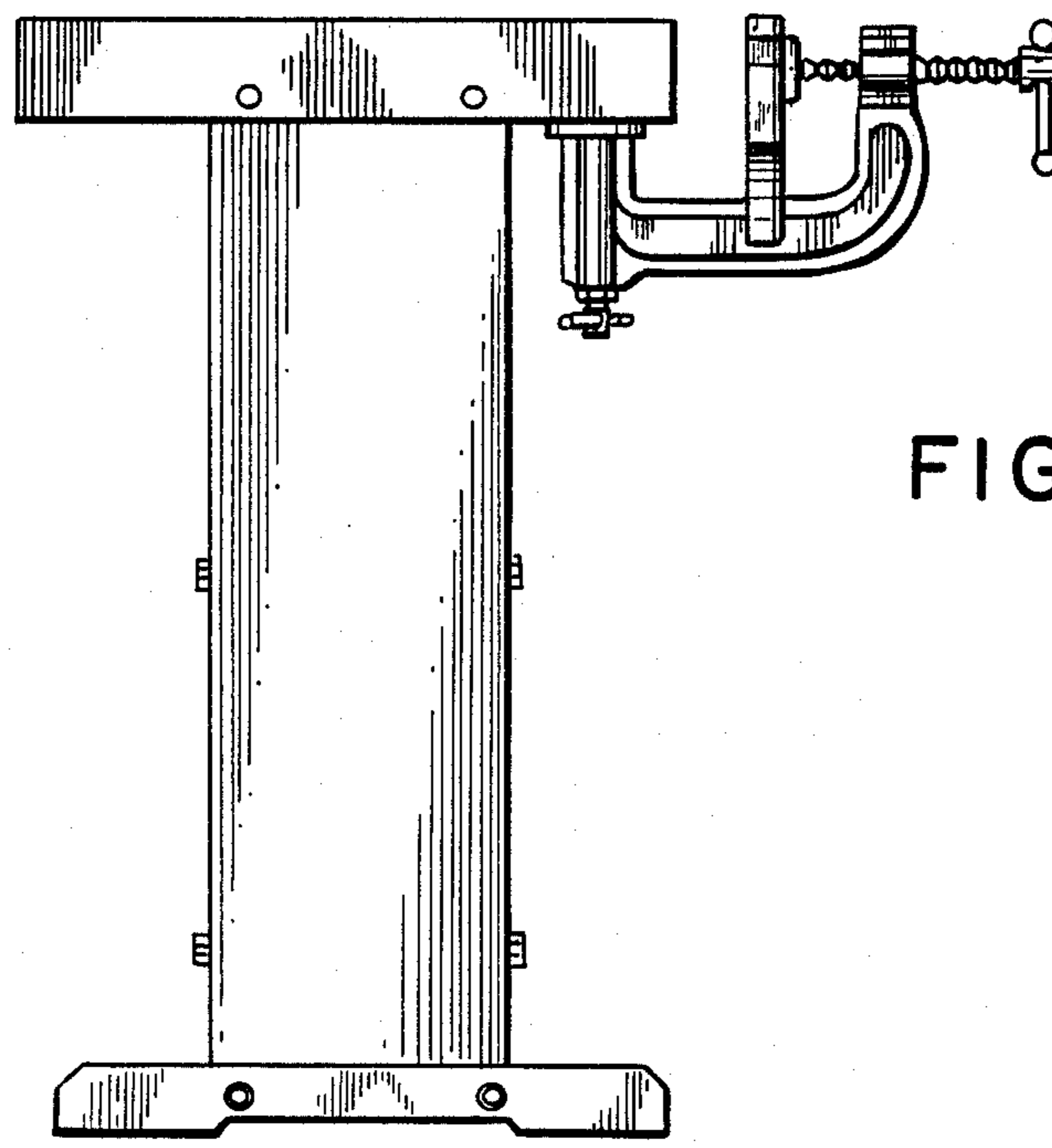


FIG. 4

FIG. 5

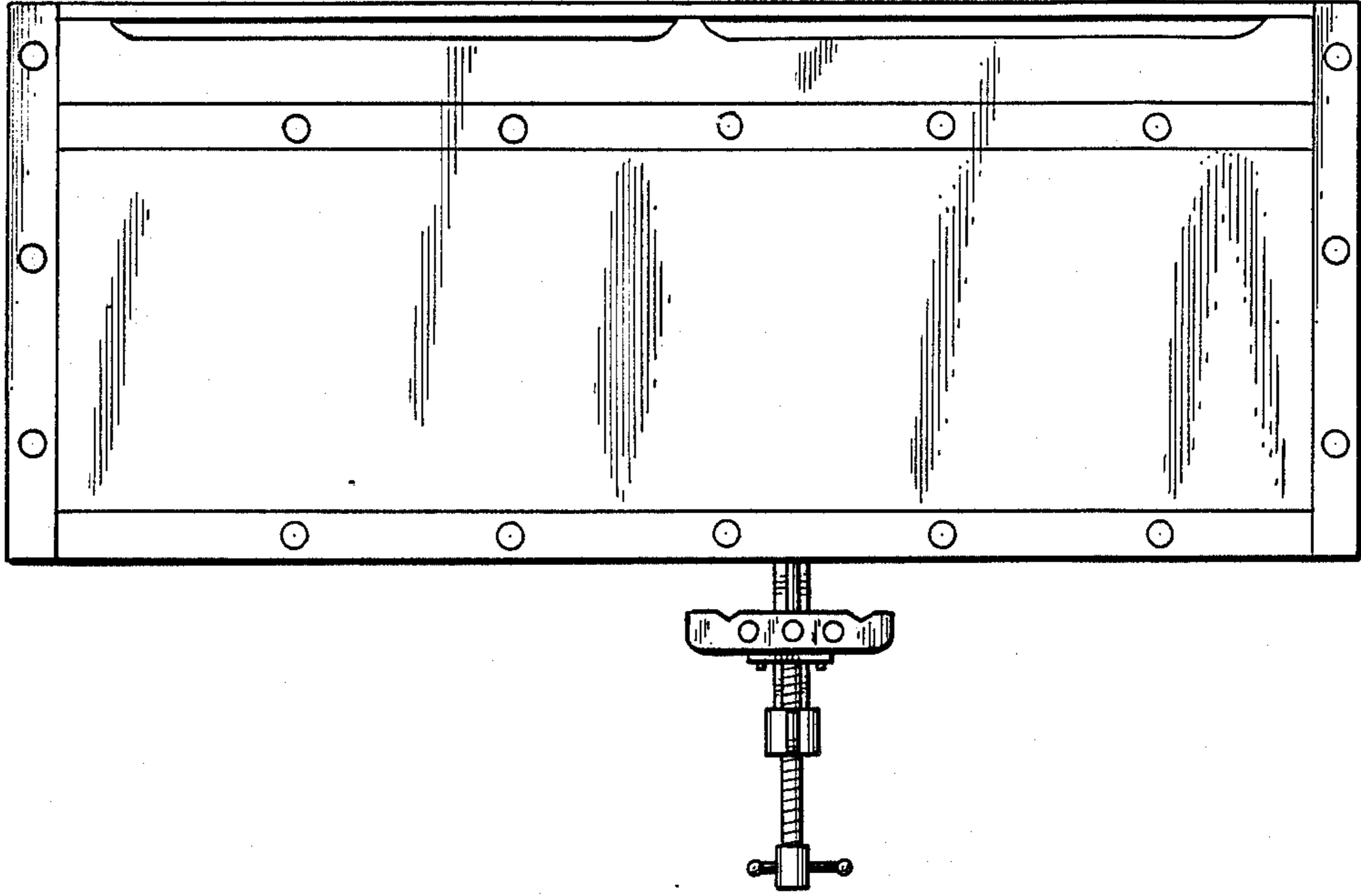
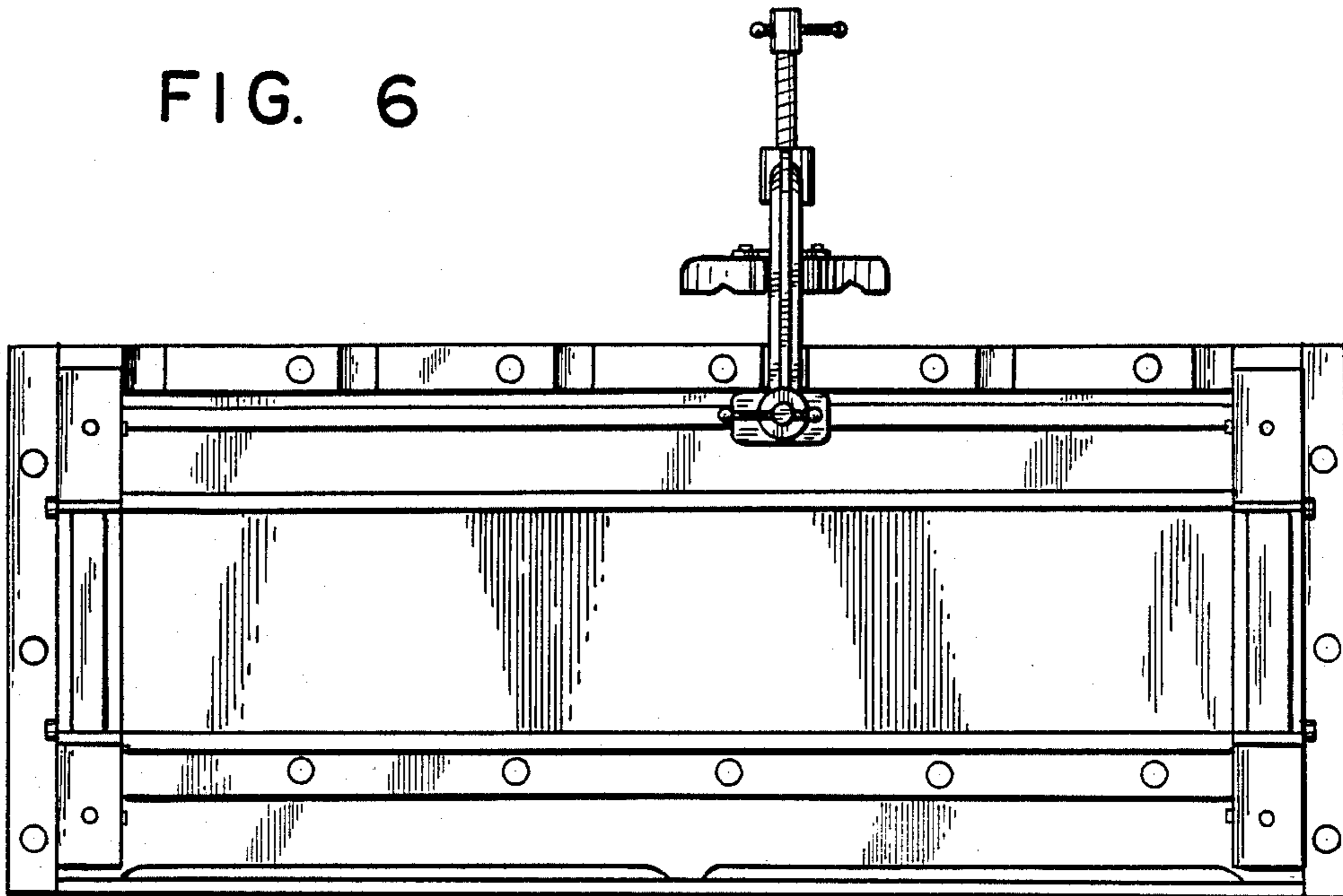


FIG. 6



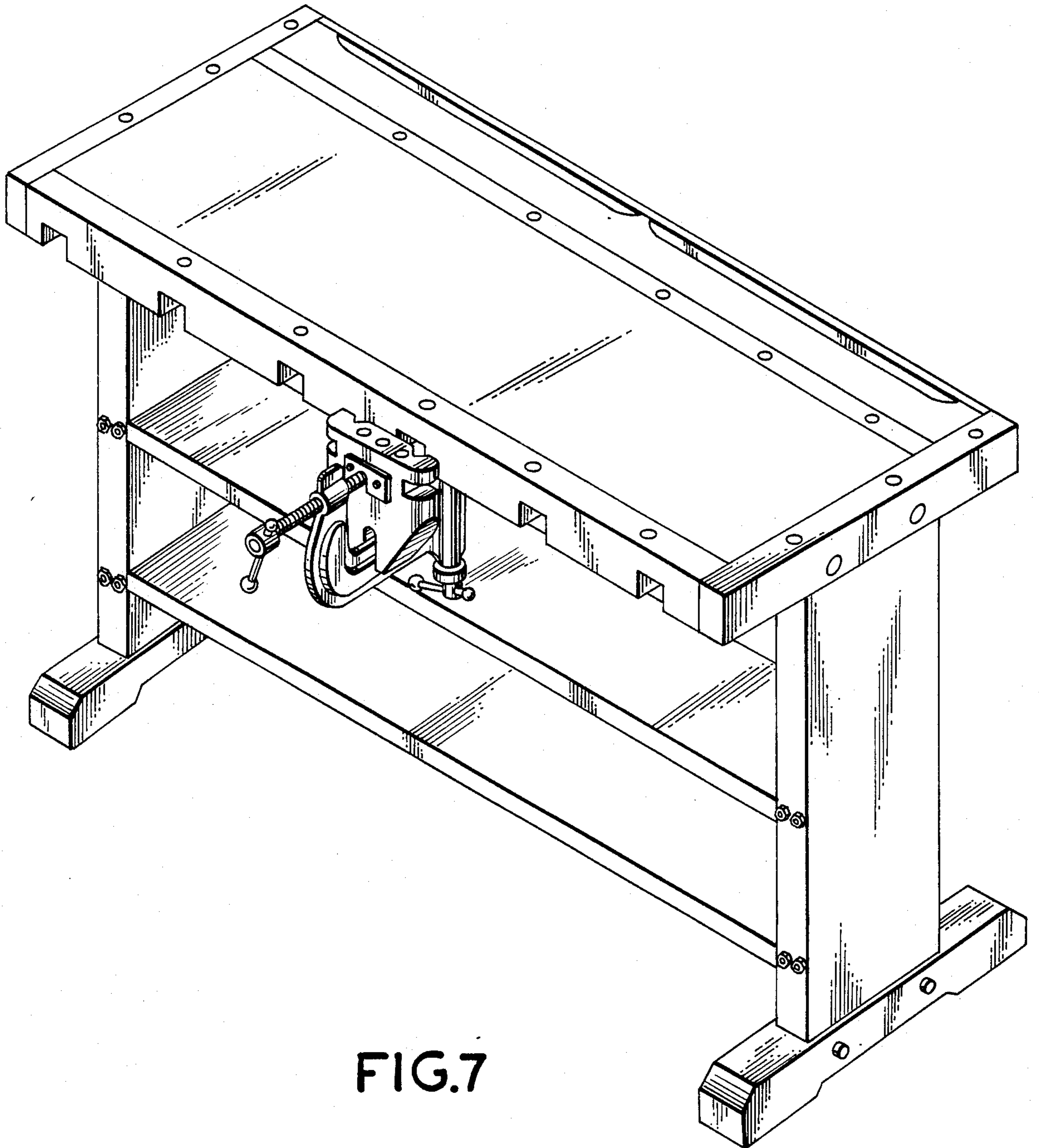


FIG. 7