

[54] **CHILD'S BOOSTER SEAT**

4,051,985 10/1977 Berger 224/32 A

[76] **Inventor:** Carla F. Cleavenger, 9909 Singapore,
El Paso, Tex. 79925

Primary Examiner—Bruce W. Dunkins
Attorney, Agent, or Firm—Terry M. Gernstein

[**] **Term:** 14 Years

[57] **CLAIM**

[21] **Appl. No.:** 834,047

The ornamental design for a child's booster seat, as shown and described.

[22] **Filed:** Feb. 18, 1986

[52] **U.S. Cl.** D6/333

[58] **Field of Search** D6/333, 334, 379, 374;
224/31, 32 A; 297/243

DESCRIPTION

[56] **References Cited**

U.S. PATENT DOCUMENTS

- D. 283,855 5/1986 Kujawski D6/333
- D. 286,471 11/1986 Solloway D6/333
- D. 296,047 6/1988 Kucera et al. D6/333

FIG. 1 is a bottom perspective view of a child's booster seat showing my new design.

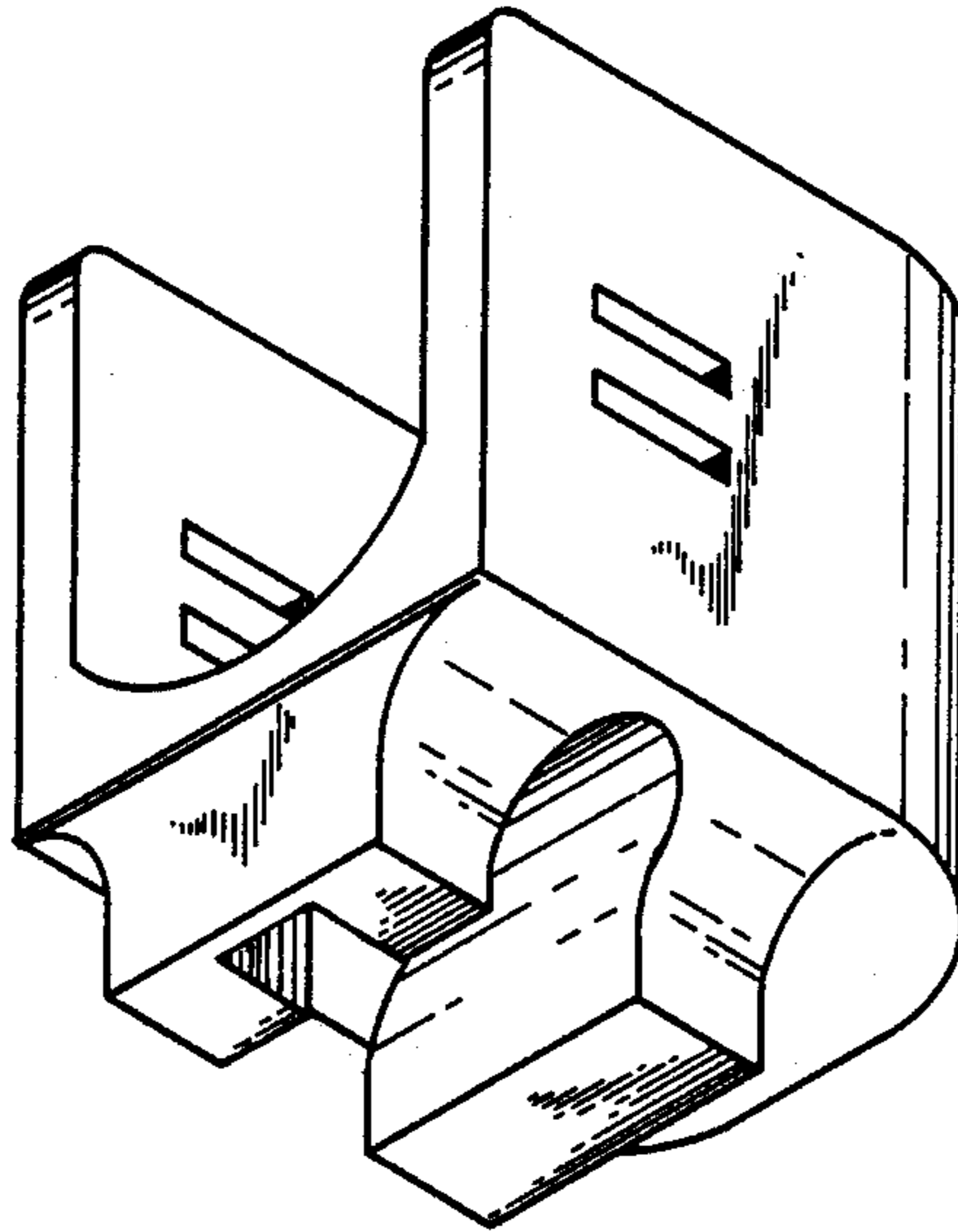
FIG. 2 is a side elevational view, the opposite side being a mirror image thereof;

FIG. 3 is a front elevational view;

FIG. 4 is a top plan view; and

FIG. 5 is a bottom plan view thereof.

The rear surface of the seat is plain and unadorned.



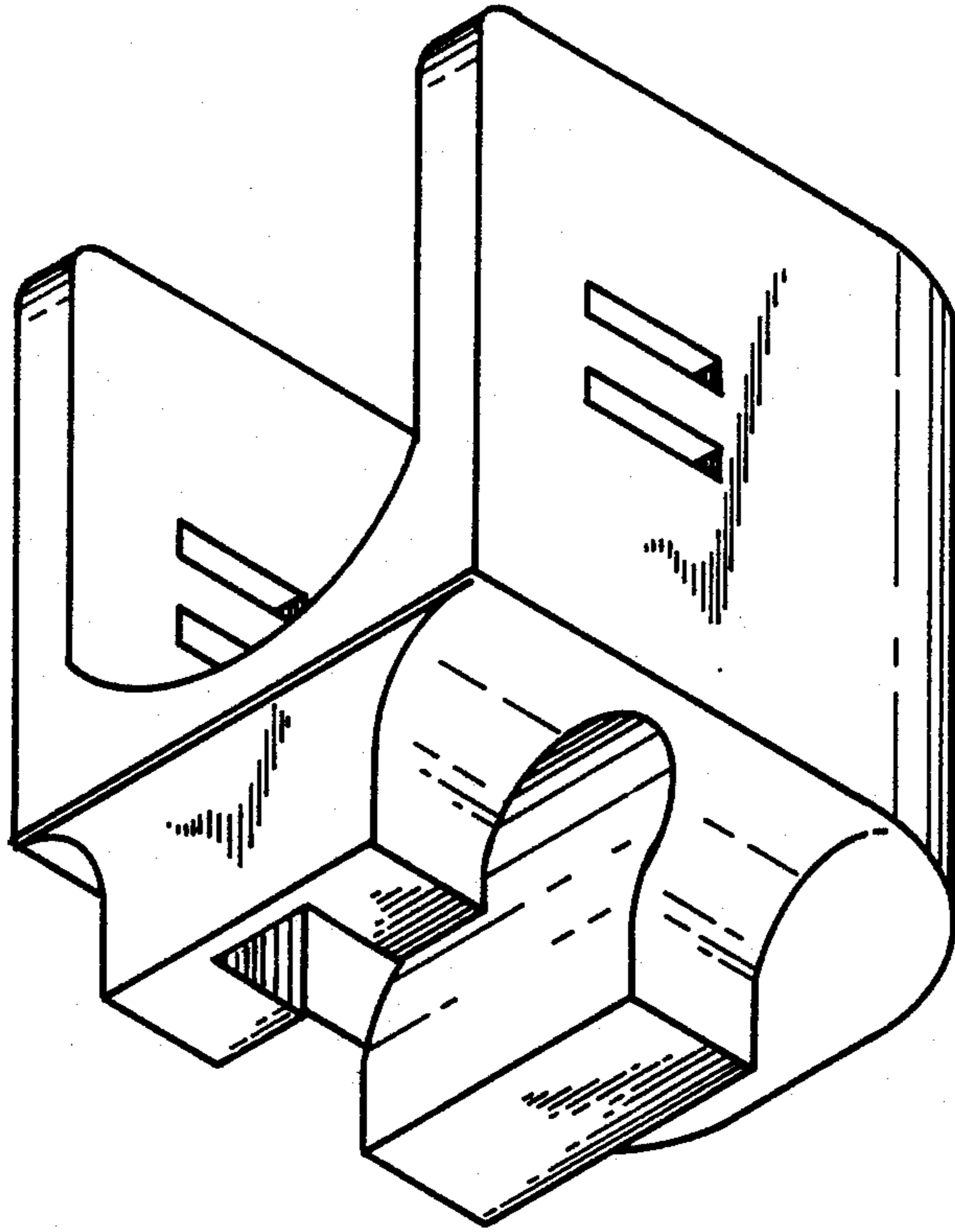


Fig. 1

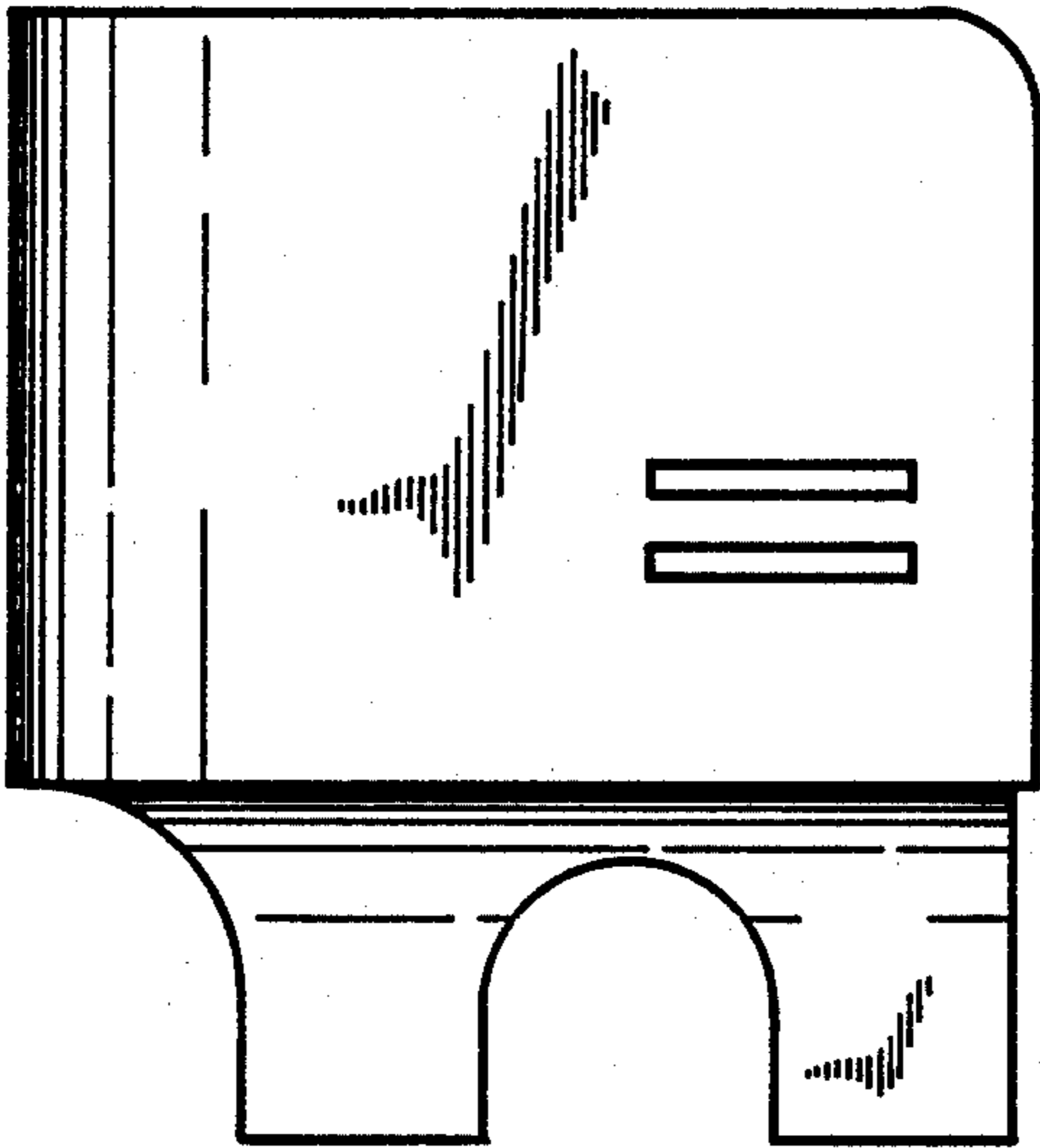


Fig. 2

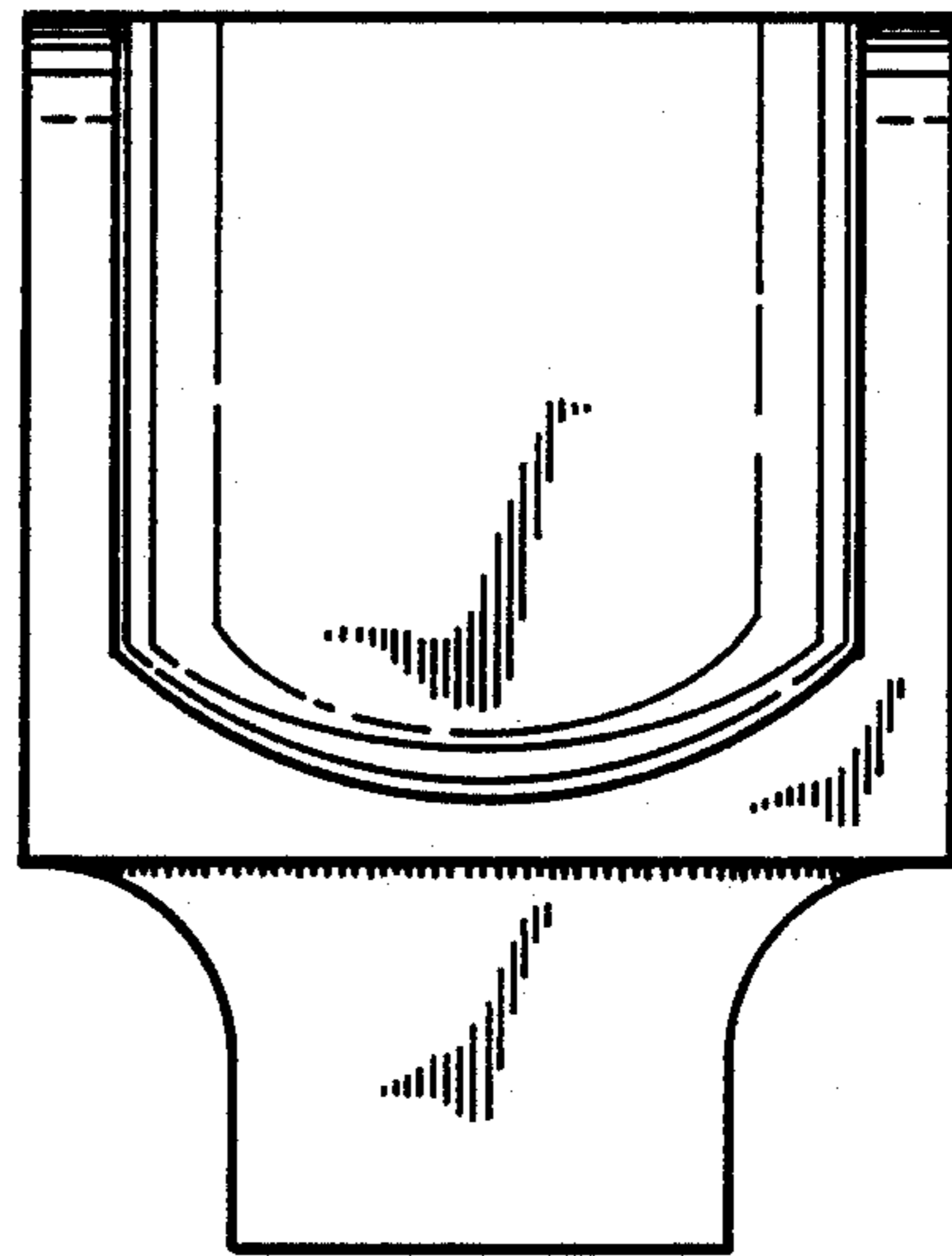


Fig. 3

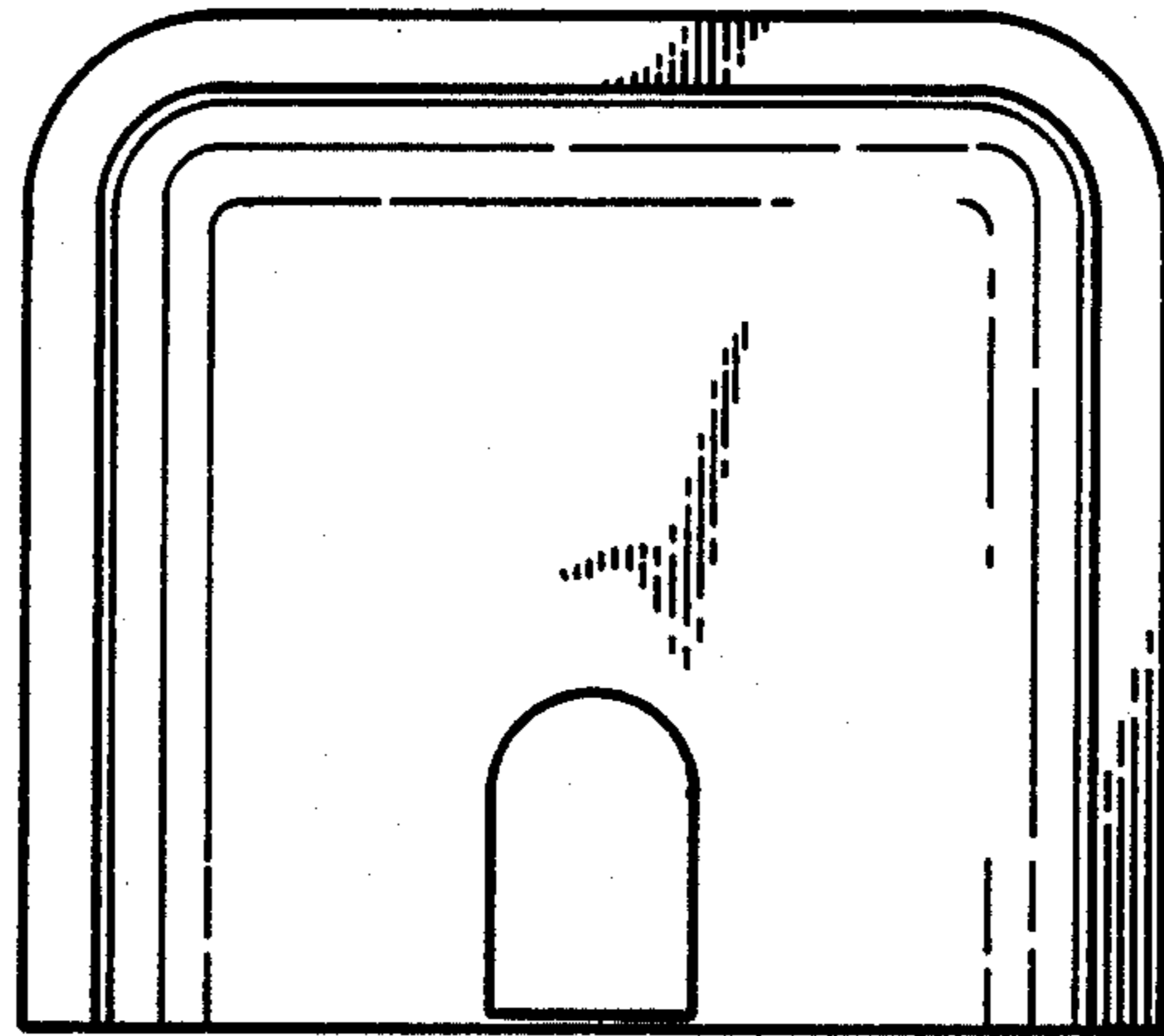


Fig. 4

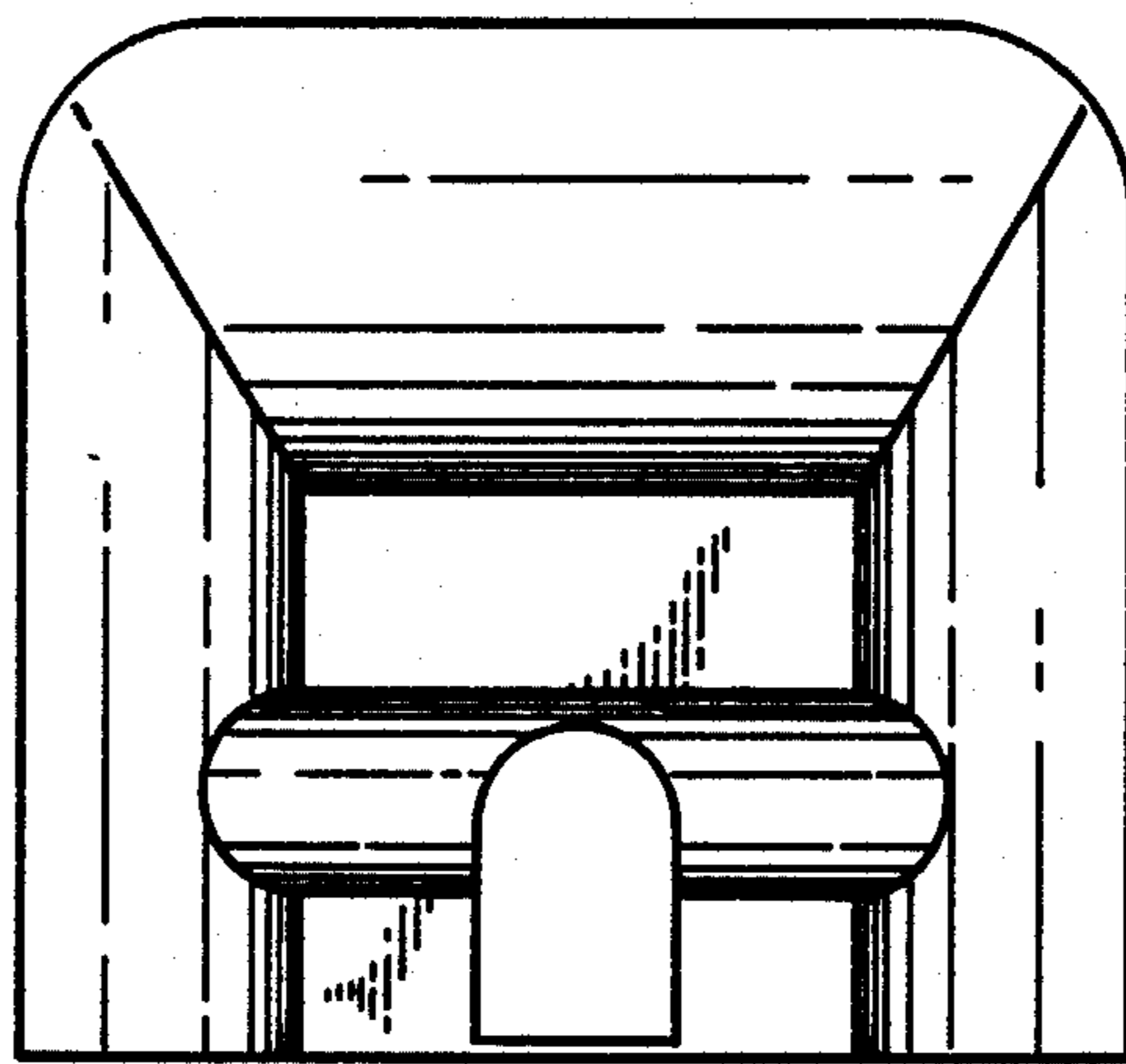


Fig. 5