

[54] ATTACHE CASE ORGANIZER AND WRITING SURFACE BOARD

[75] Inventor: Edward L. Gerch, Chicago, Ill.

[73] Assignee: Kingport International Corporation, Evanston, Ill.

[**] Term: 14 Years

[21] Appl. No.: 796,962

[22] Filed: Nov. 12, 1985

[52] U.S. Cl. D3/76

[58] Field of Search D3/76, 30.1, 35, 74, D3/78; 190/900, 901, 115, 100; 312/208, 244

[56] References Cited

U.S. PATENT DOCUMENTS

- D. 247,394 2/1978 Linke D3/76
- D. 279,330 6/1985 Gerch D3/76

3,082,049 3/1963 Lifton D3/78

Primary Examiner—Bernard Ansher
Assistant Examiner—Terry Pfeffer
Attorney, Agent, or Firm—James N. Videbeck

[57] CLAIM

The ornamental design for an attache case organizer and writing surface board, as shown and described.

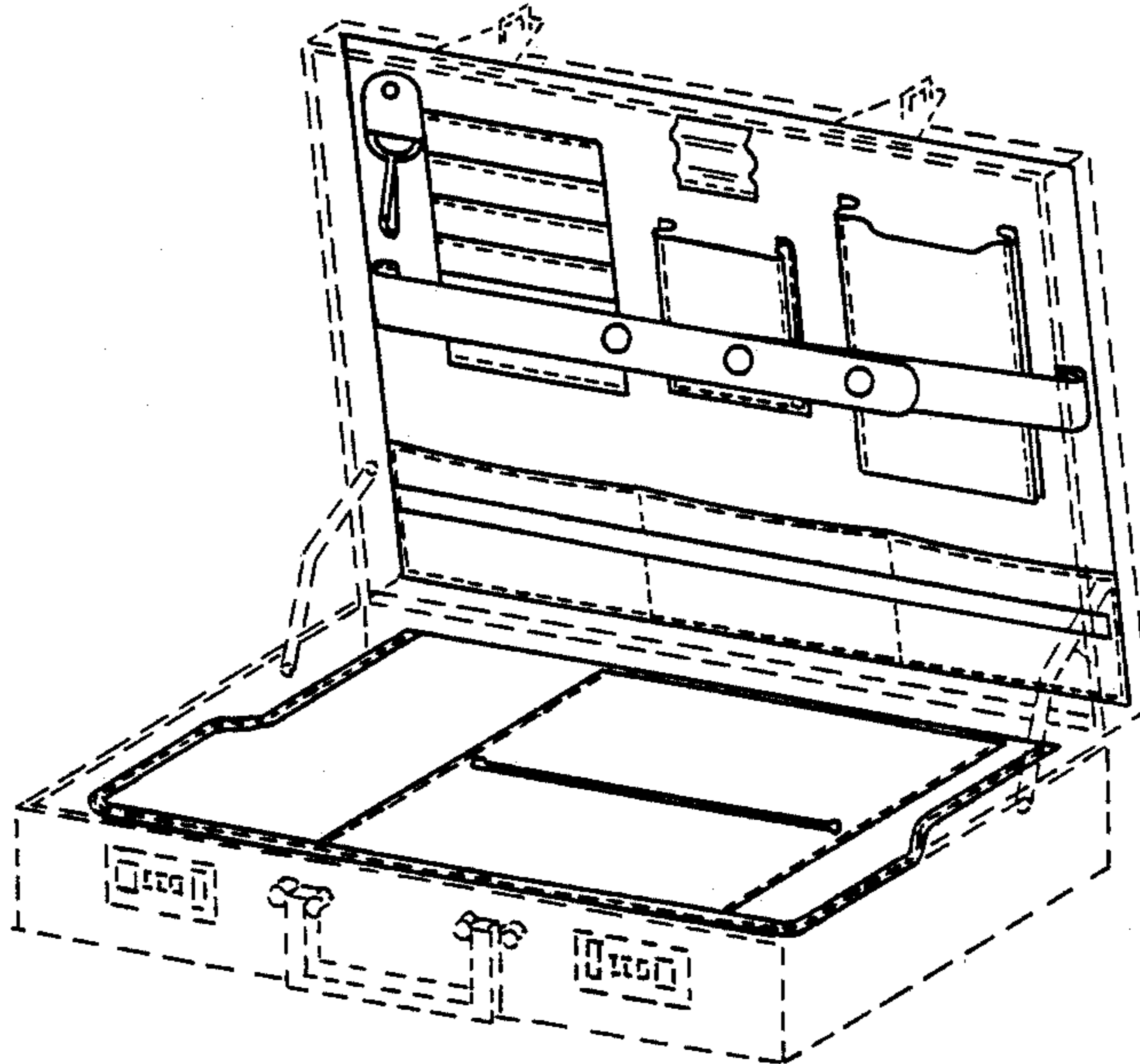
DESCRIPTION

FIG. 1 is a perspective view of an attache case organizer and writing surface board showing my new design, the undisclosed rear side is plane and unornamented.

FIG. 2 is a perspective view thereof with the writing surface board in elevated position.

FIG. 3 is a perspective view thereof as seen from the bottom, right side of FIG. 2.

The attache case is shown in broken lines for illustrative purposes only.



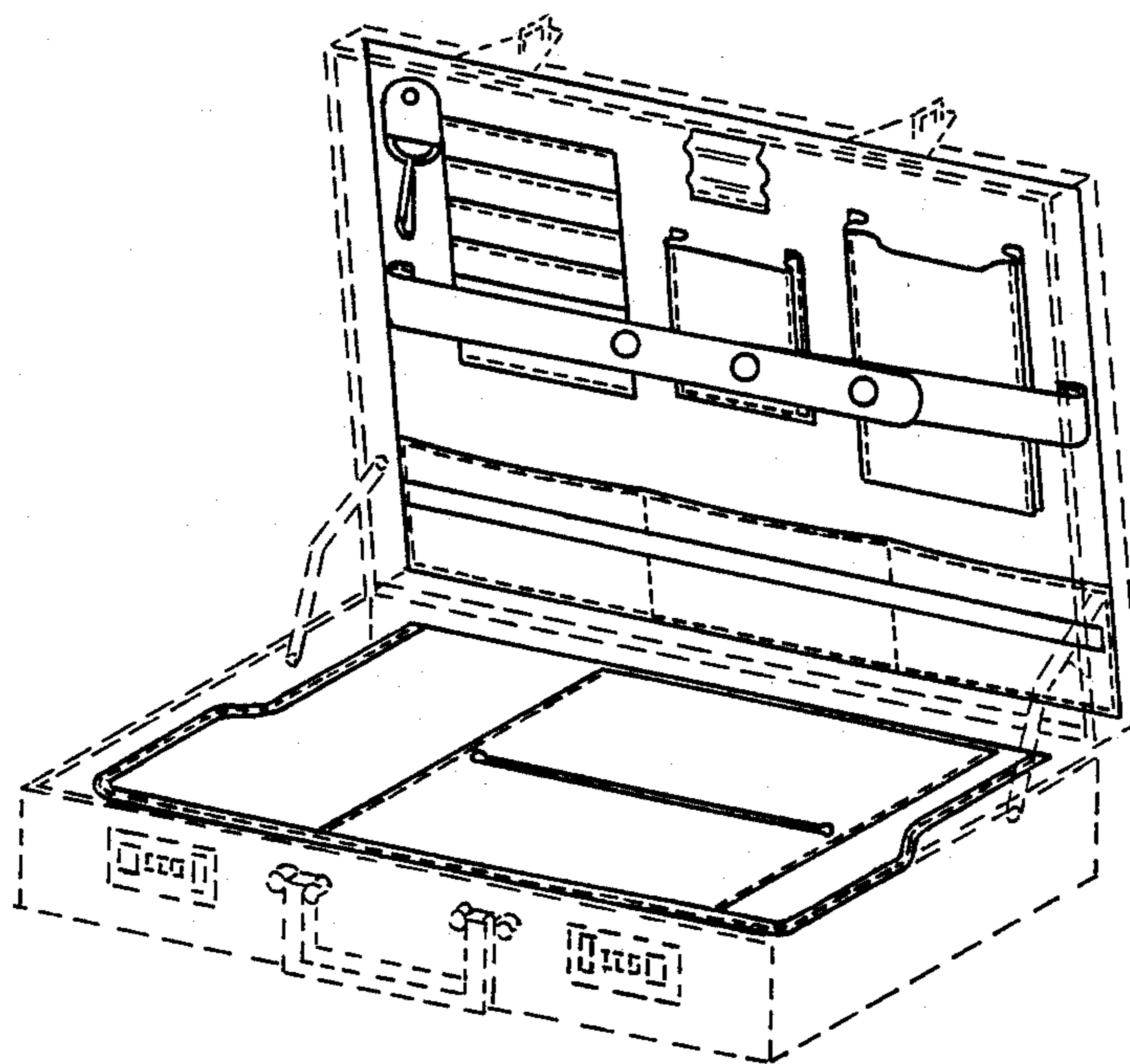


FIG. 1

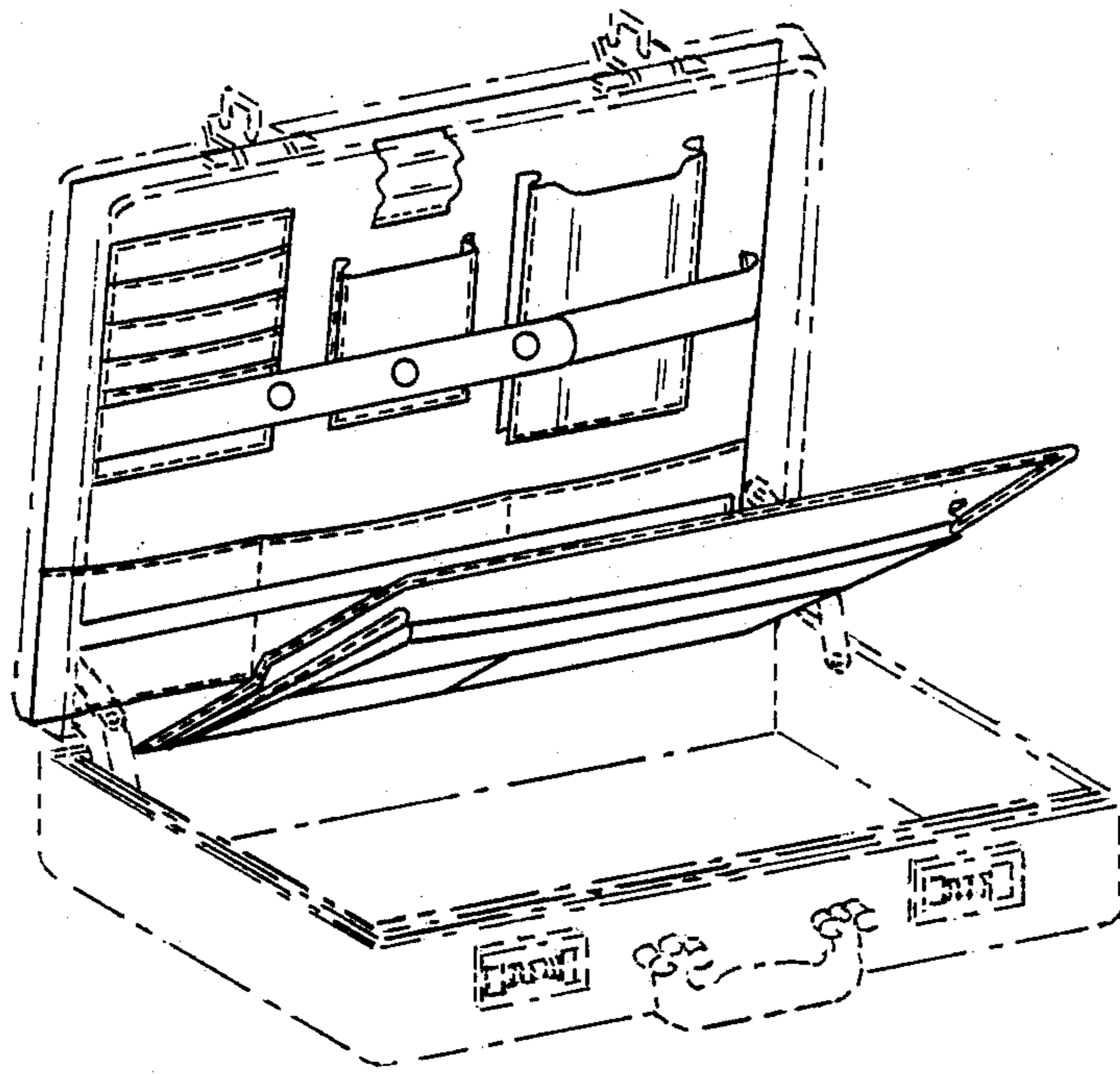


FIG. 2

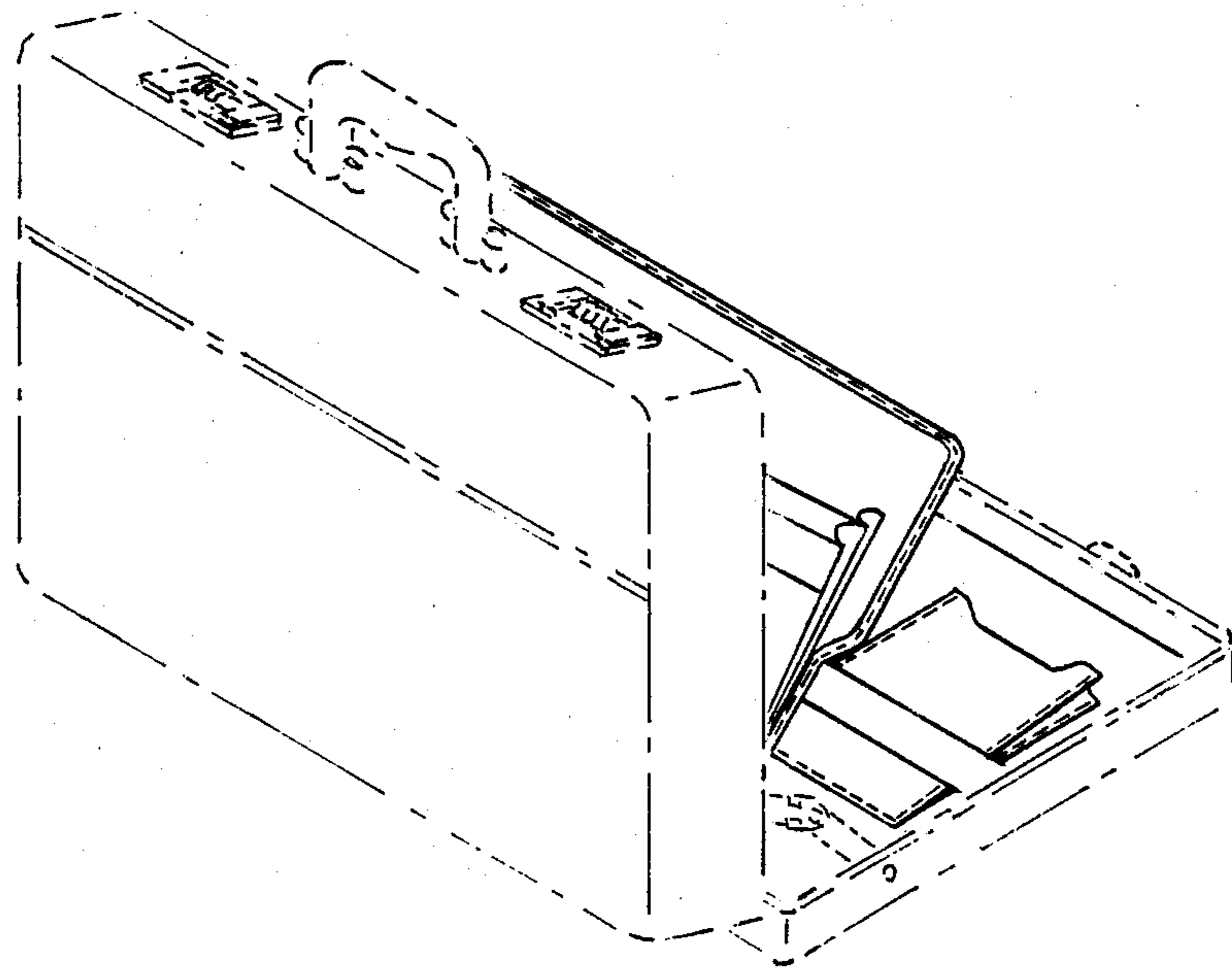


FIG. 3