

[54] BURIAL VAULT

[56] References Cited

[76] Inventors: William Bethune, 32945 N. River Rd., Mt. Clemens, Mich. 48045; Steven J. Pikor, 3059 Serra Dr., Sterling Heights, Mich. 48077; Peter C. Bertleson, 30325 Ponds View Dr., Franklin, Mich. 48025; Bernard E. LePage, 1201 Creek View Ct., Rochester, Mich. 48063

U.S. PATENT DOCUMENTS

D. 222,880 1/1972 Madlem D99/1
D. 267,829 2/1983 Cook D99/12
1,344,674 6/1920 Bowman 27/6
4,253,220 3/1981 Work 27/7 X

Primary Examiner—Louis S. Zarfes
Attorney, Agent, or Firm—Krass & Young

[**] Term: 14 Years

[57] CLAIM

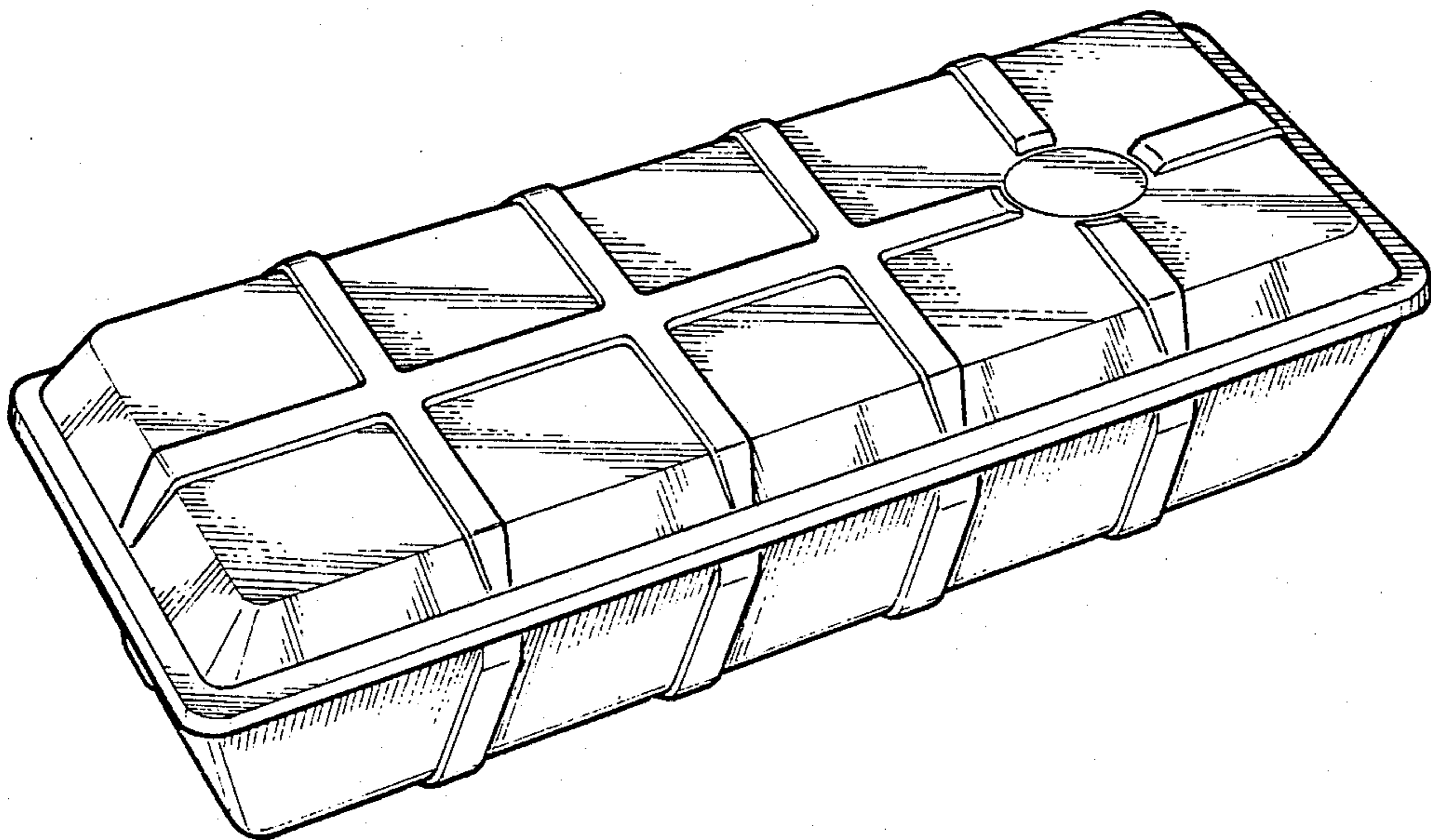
The ornamental design for a burial vault, as shown and described.

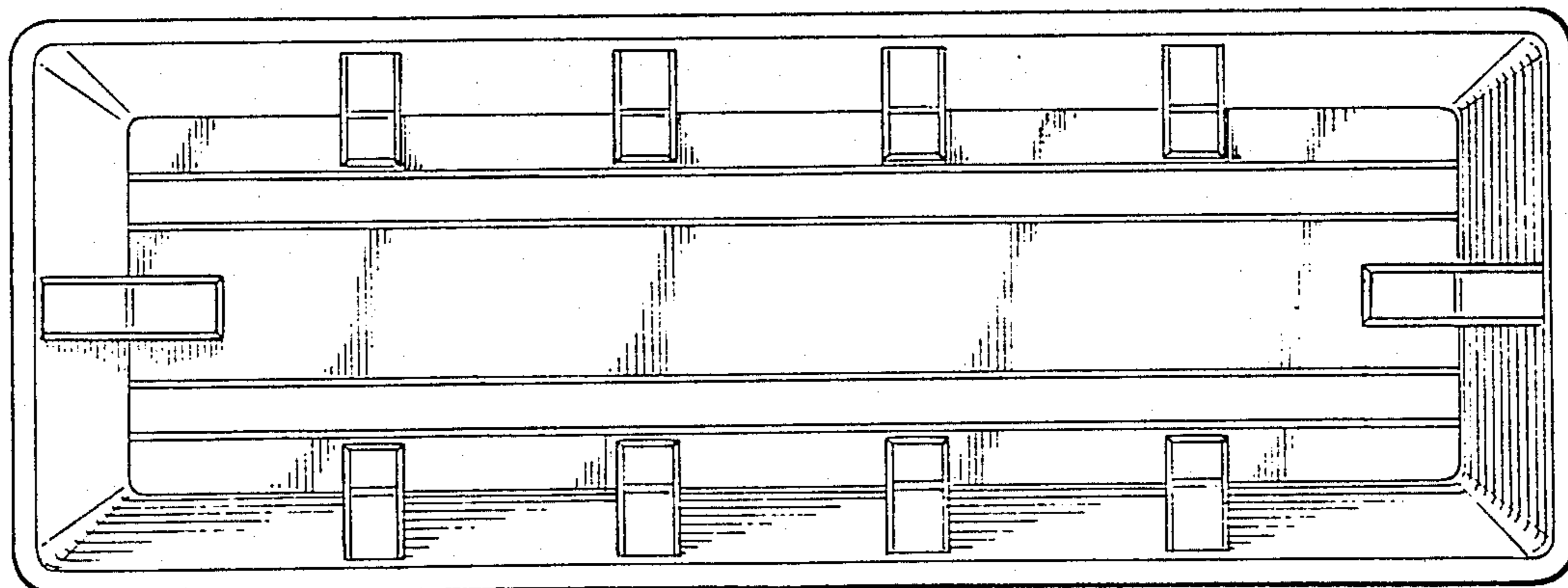
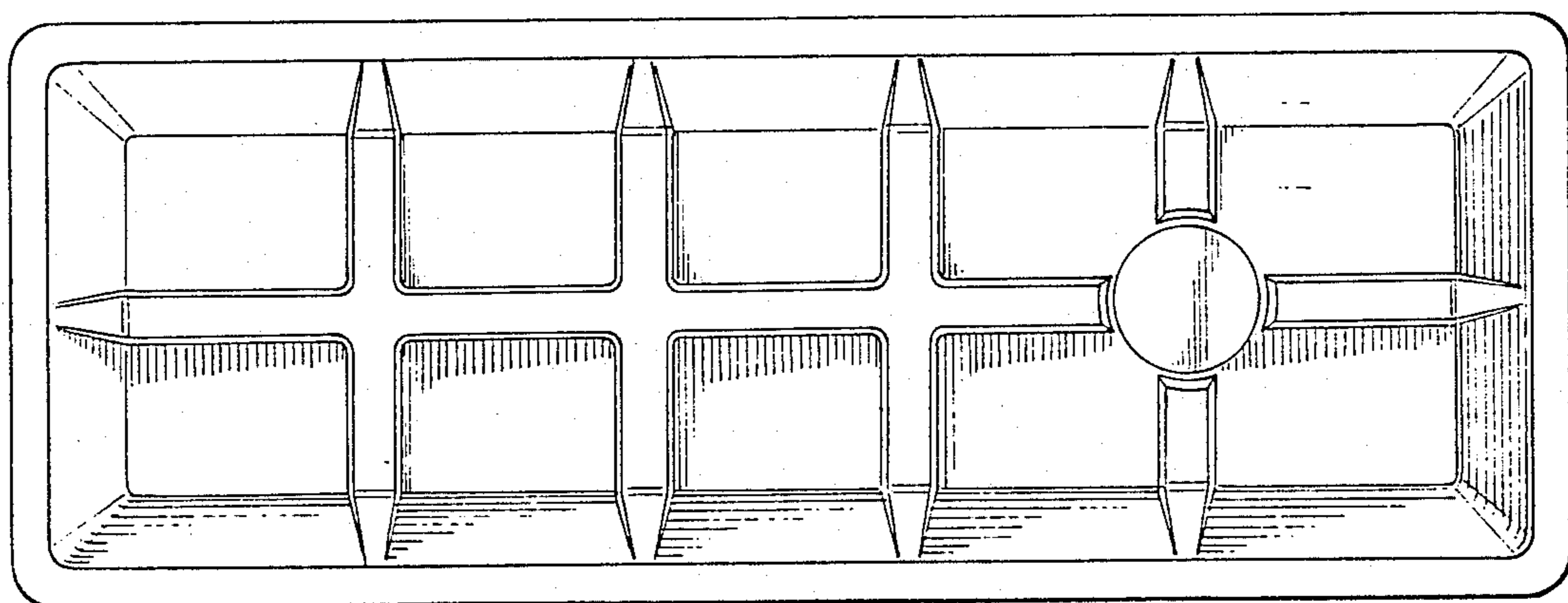
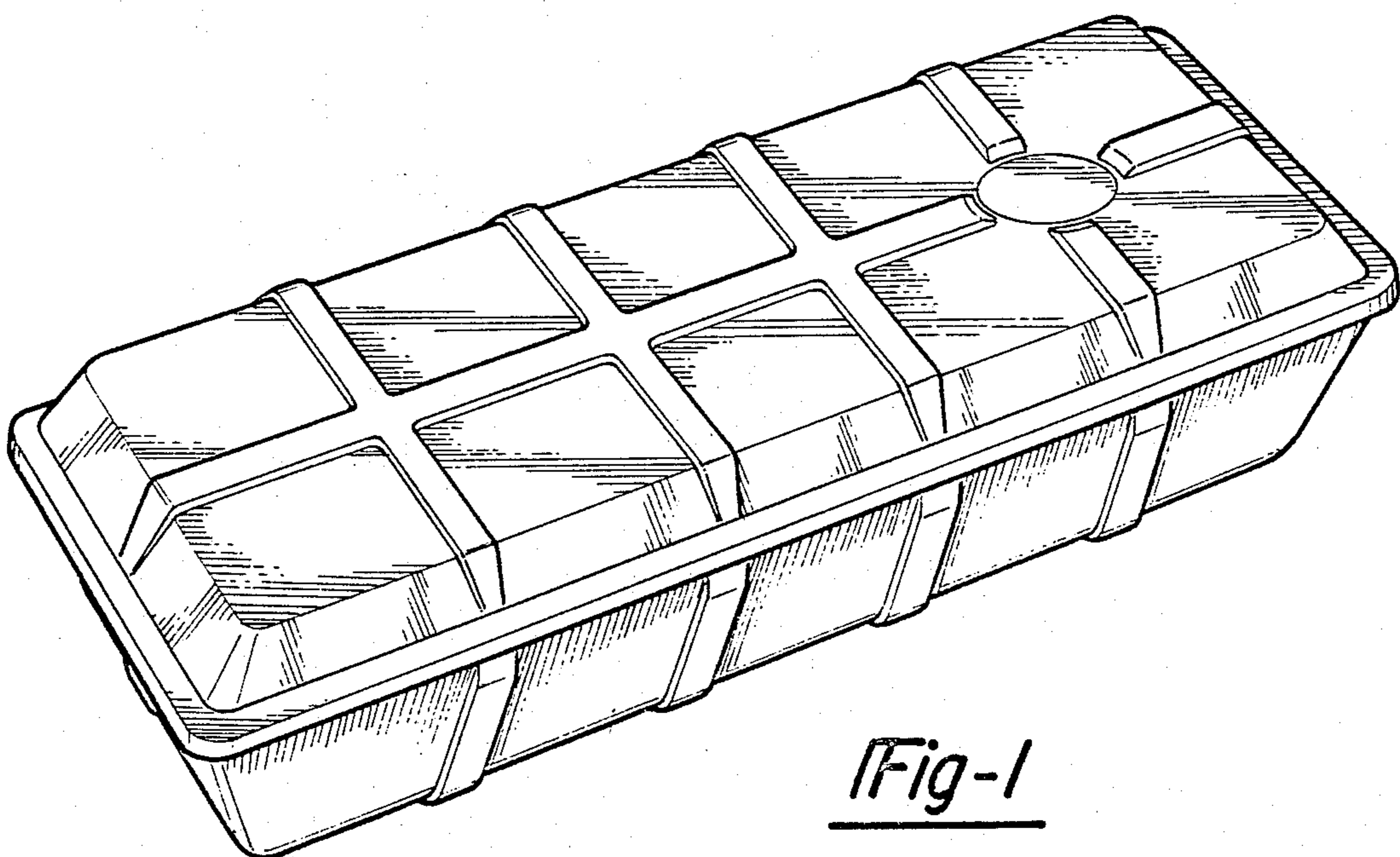
[21] Appl. No.: 862,511

DESCRIPTION

[22] Filed: May 12, 1986
[52] U.S. Cl. D99/1; D99/12
[58] Field of Search D99/1-19;
27/1-10, 13-20, 35

FIG. 1 is a perspective view of a burial vault showing our new design;
FIG. 2 is a top plan view thereof;
FIG. 3 is a bottom plan view thereof;
FIG. 4 is an end elevational view thereof;
FIG. 5 is a side elevational view thereof; and
FIG. 6 is a perspective view thereof with the cover shown removed from the base.





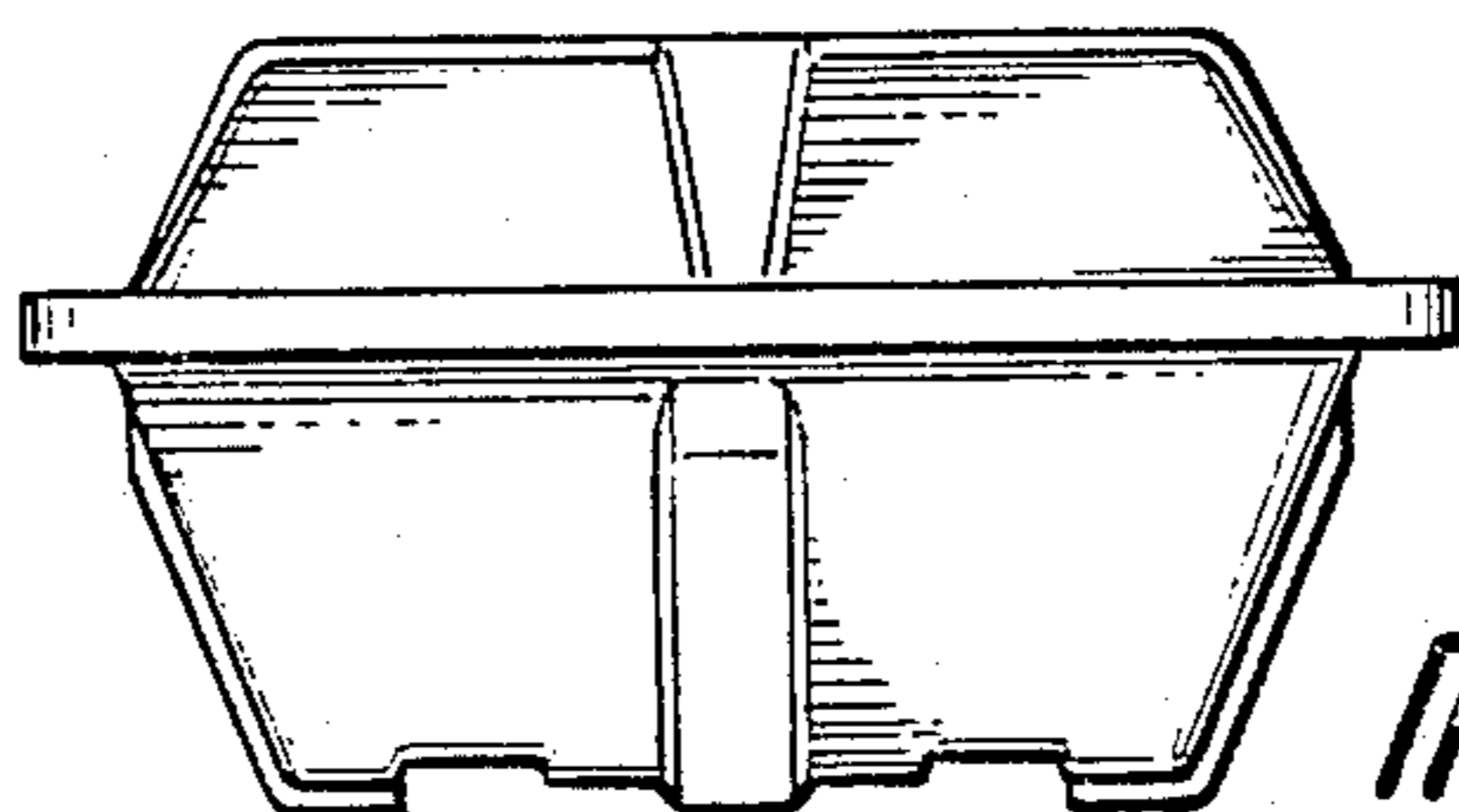


Fig-4

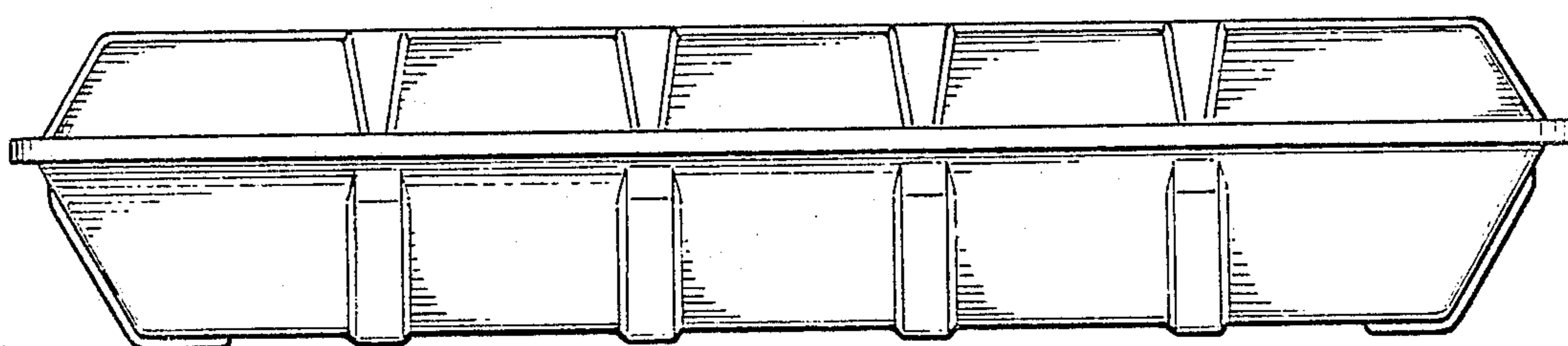


Fig-5

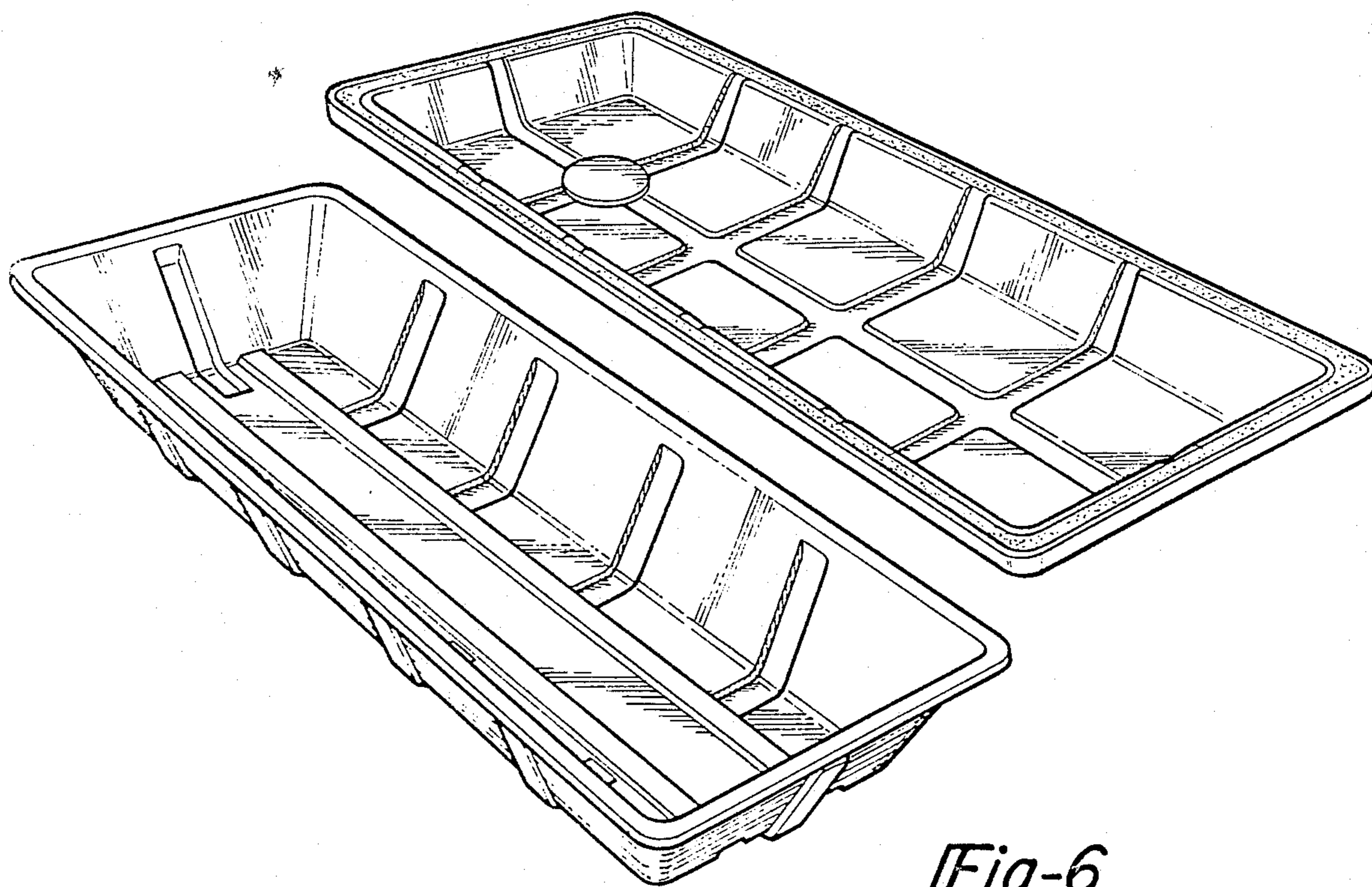


Fig-6